

REV.	DATE:	DESC.:	APPR.:
REV. A:	03/29/11	MODIFIED CIRCUIT FOR CUSTOMER APPROVAL	D.U.
REV. B:	04/06/11	CORRECTED RELAY TERM. #S	D.U.
REV. C:	04/15/11	CORRECTED L1 TO #14 BLK	D.U.
REV. D:	05/13/13	EXCHANGED FUSES FOR CBS	D.U.
DRAWING NO:			WSC-3MC3P-N4-00-S-0311

PART NUMBER	<b>WSC-3MC3P-N4-00</b>
DESCRIPTION	230VAC, 50/60Hz, 1PH WINDOW SCRUBBER PANEL, 3 CONTACTORS, 2 RELAYS
DRAWN BY: MFN	DATE: 03/24/11
APPROVAL: D.U.	DATE: 03/24/11

**NOTES:** MAIN DISCONNECT AND BRANCH CIRCUIT PROTECTION PROVIDED BY OTHERS. MAX. 20A FUSE OR 30A CIRCUIT BREAKER REQUIRED.

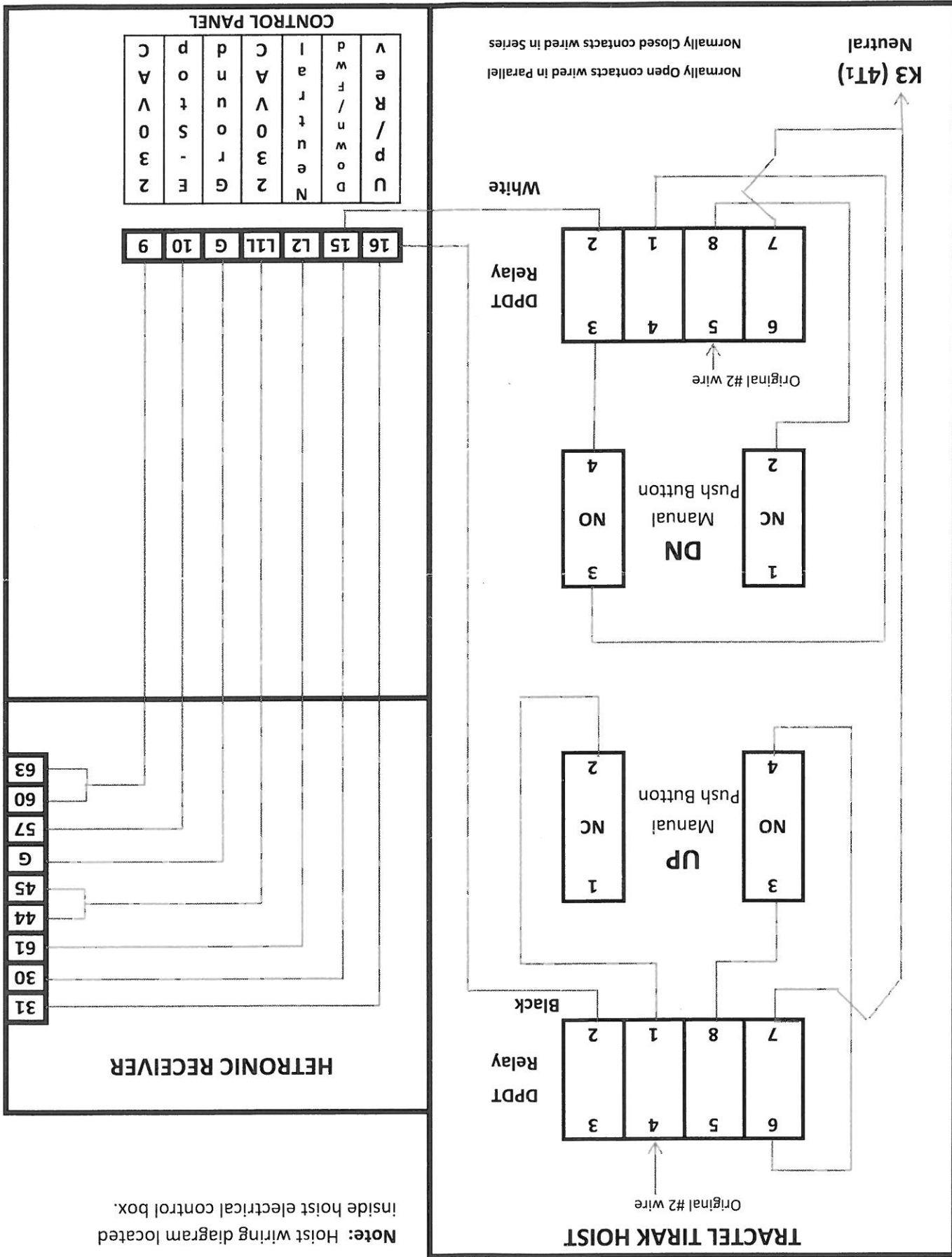
**CSii**  
CONTROL SWITCHES INTERNATIONAL INCORPORATED  
2425 Mira Mar Ave. Long Beach, CA 90816  
www.csiiusa.com

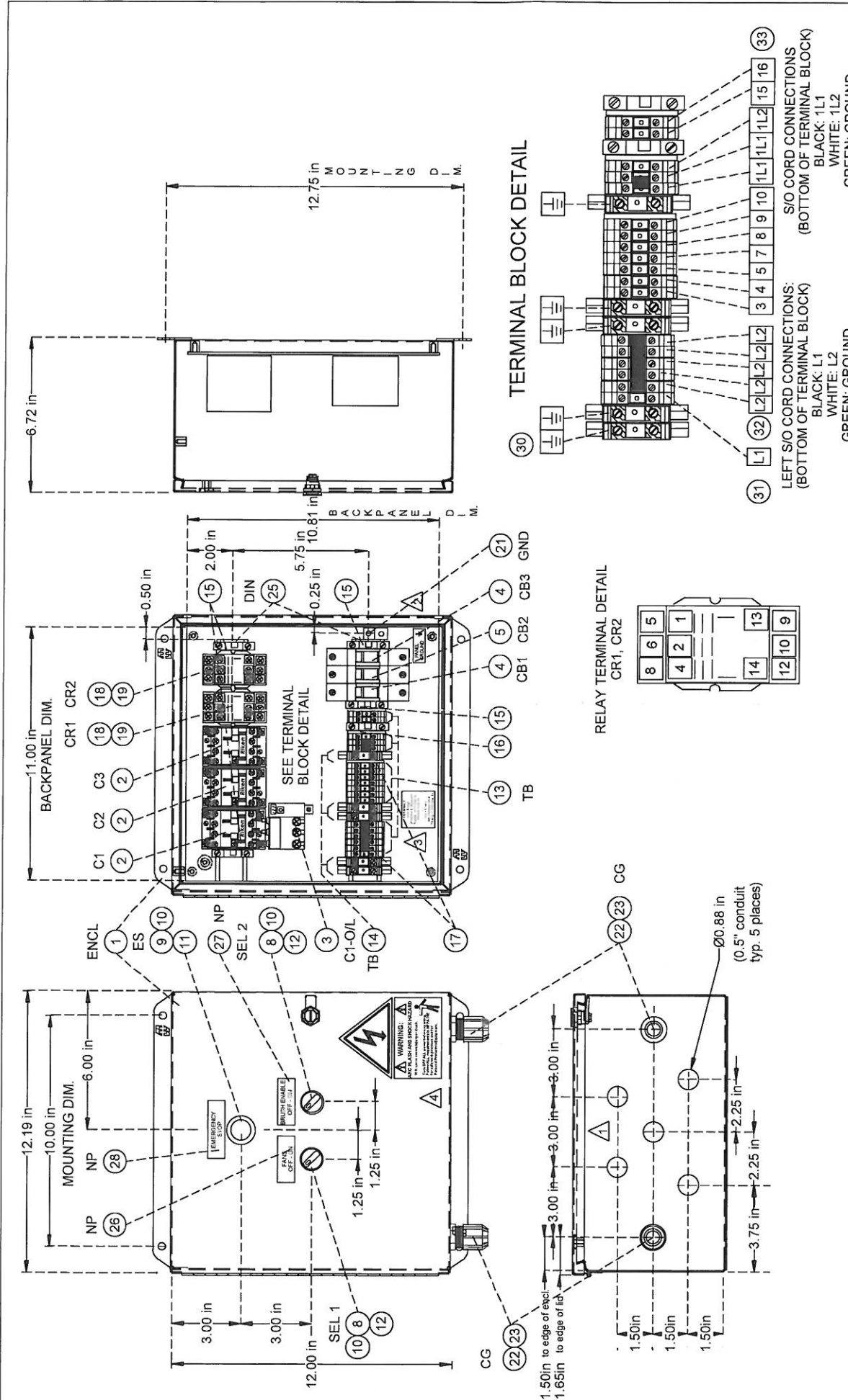
PH: 1-562-498-7331  
TOLL-FREE: 1-800-521-1677  
FAX: 1-562-498-5994



# 2 METER CONTROL SYSTEM WIRE DIAGRAM

Note: Hoist wiring diagram located inside hoist electrical control box.





REV.	DATE:	DESC.:	APPR.:
REV. A:	03/29/11	Changed terminal block arrangement.	D.U.
REV. B:	04/06/11	Corrected mistake on relay term. #s & moved TB	D.U.
REV. C:	04/15/11	Added relay terminal detail.	D.U.
REV. D:	07/31/12	Removed S/O cord changed torque labels.	D.U.
REV. E:	05/13/13	Replaced fuses with circuit bws.	D.U.
REV. F:	03/31/15	Added note to maintain U.L. Type 4 rating to use U.L. listed hubs	D.U.
DRAWING NO.:			WSC-3MC3P-N4-00-D-0311

PART NUMBER		<b>WSC-3MC3P-N4-00</b>	
DESCRIPTION		XXXX, XP PANEL	
DRAWN BY: MFN	DATE: 03/24/11	APPROVAL: D.U.	DATE: 03/24/11

<b>NOTES:</b> 1 Per U.L. 53.3: In order to maintain enclosure Type 4 rating, use UL approved hubs, fittings or plugs rated Type 4. 2 USE U00000G GROUND LABEL FROM DOCUMENT # U00000G-0312 IN MDF "LABELS" FILE 3 USE UIK5, IKE4 TERMINAL BLOCK TORQUE LABEL FROM DOCUMENT # UIK5, IRE4-0712 IN MDF "LABELS" FILE 4 Yellow warning sticker from document ARC SHOCK 1-L-0311	<b>PH:</b> 1-562-498-7331 <b>TOLL-FREE:</b> 1-800-521-1677 <b>FAX:</b> 1-562-498-5894 <b>CONTROL SWITCHES INTERNATIONAL INCORPORATED</b> 2425 Mira Mar Ave. Long Beach, CA 90815 <a href="http://www.controlswitches.com">www.controlswitches.com</a>	
	<b>CSi</b> CONTROL SWITCHES INTERNATIONAL INCORPORATED 2425 Mira Mar Ave. Long Beach, CA 90815 <a href="http://www.controlswitches.com">www.controlswitches.com</a>	
	PH: 1-562-498-7331 TOLL-FREE: 1-800-521-1677 FAX: 1-562-498-5894 CONTROL SWITCHES INTERNATIONAL INCORPORATED 2425 Mira Mar Ave. Long Beach, CA 90815 <a href="http://www.controlswitches.com">www.controlswitches.com</a>	