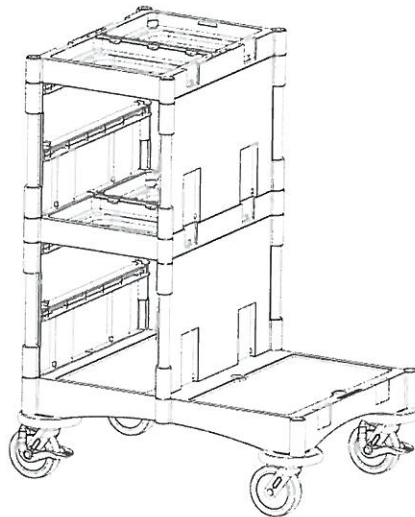


IPC
EAGLE



**ASSEMBLY
INSTRUCTIONS**

BRIX INSTRUCTIONAL VIDEOS

To view the below videos please visit
<http://bit.ly/IPCEagleBrixCleaningCart>

Brix Base Cart Assembly <https://youtu.be/d8mjdNSEQdU>

Brix Cart Doors Install Assembly <https://youtu.be/NWwf8NMdq4I>

Brix Cart 2 Bucket Install Assembly <https://youtu.be/C9BIKuEIIYU>

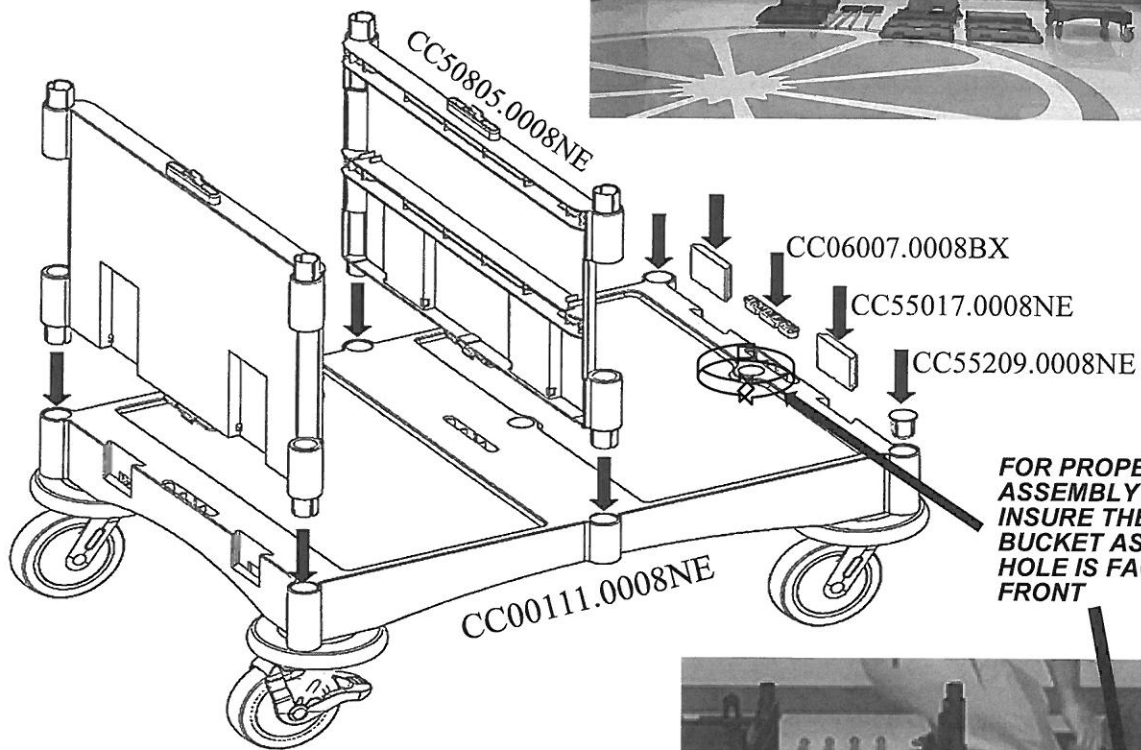
Brix Cart Pre Treat Low Bucket Assembly <https://youtu.be/Wogu1QTr8gl>

Brix Cart Pre Treat High Bucket Assembly <https://youtu.be/3Dvq0Rroq04>

Brix Cart Drawer Assembly <https://youtu.be/c13EDoYkmC4>



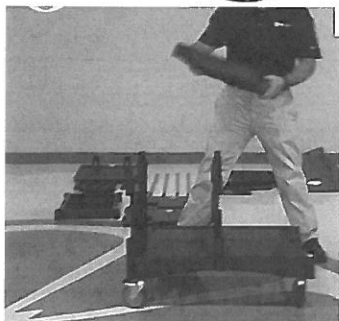
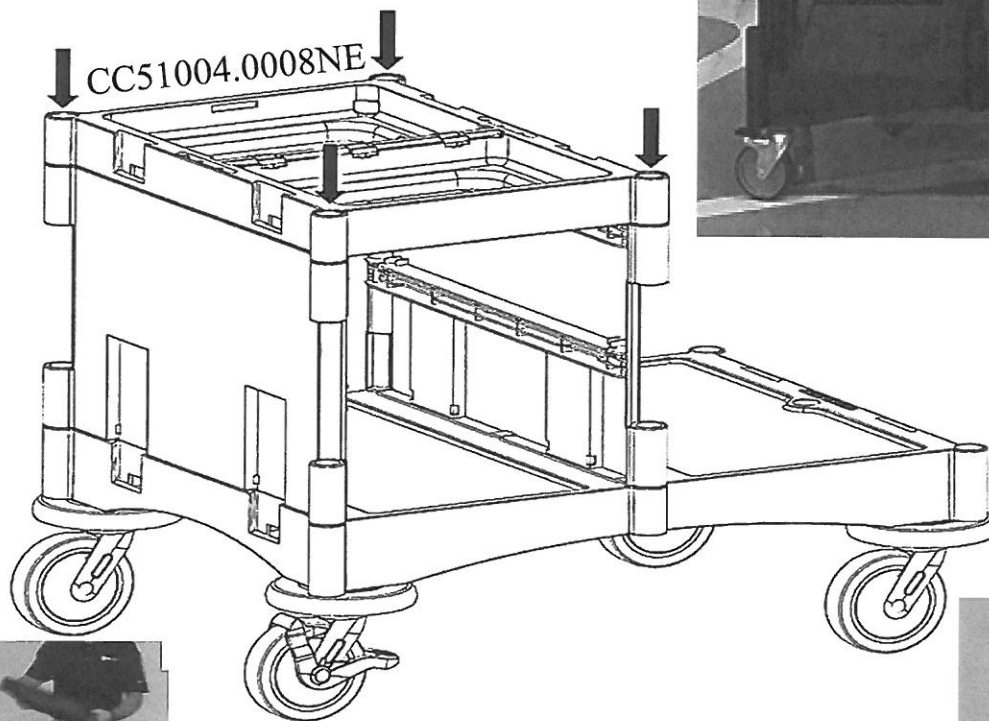
1

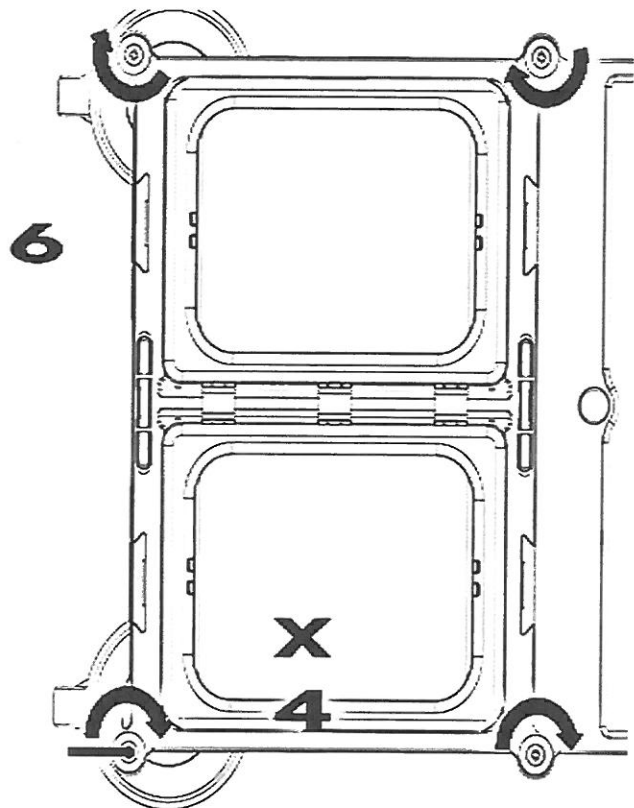
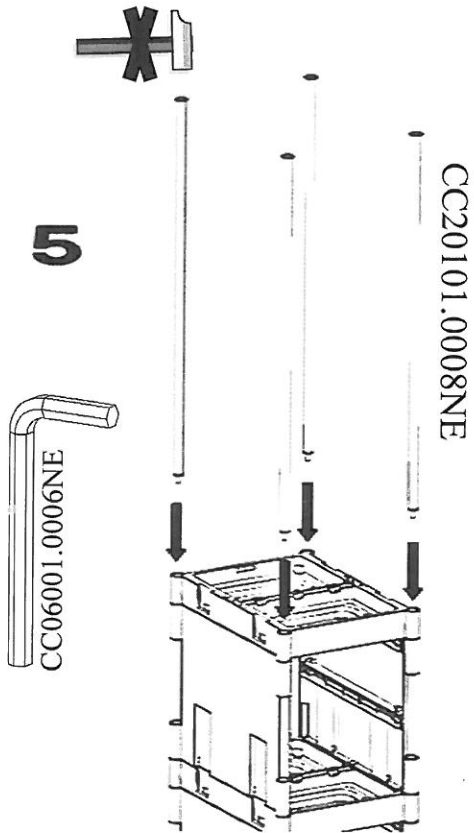
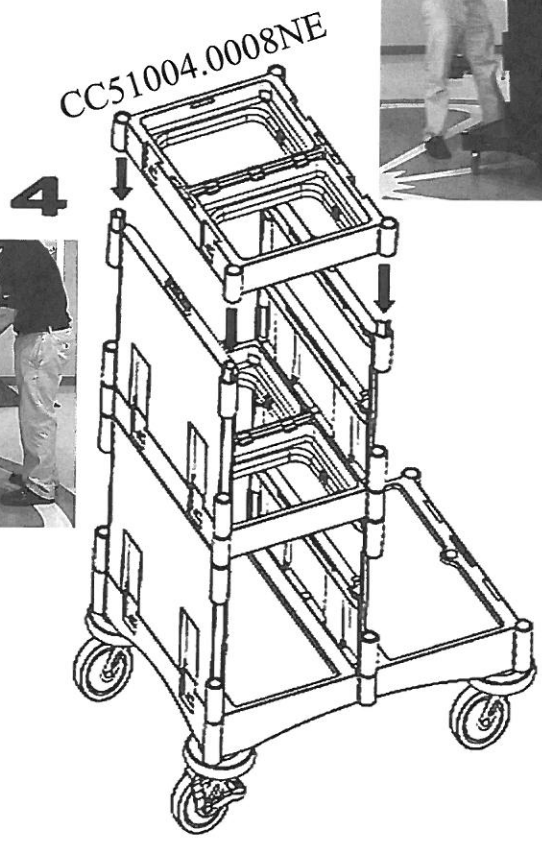
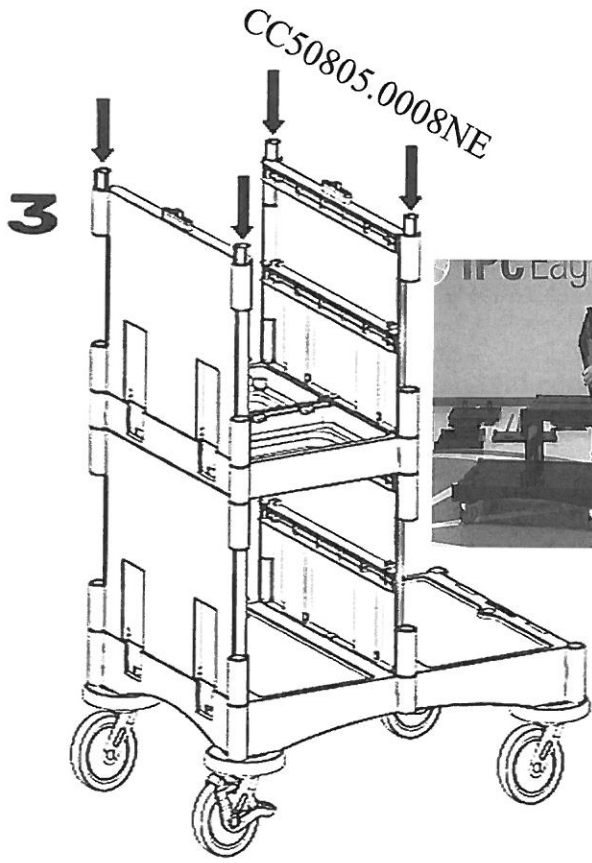


FOR PROPER ASSEMBLY PLEASE INSURE THE LOWER BUCKET ASSEMBLY HOLE IS FACING FRONT

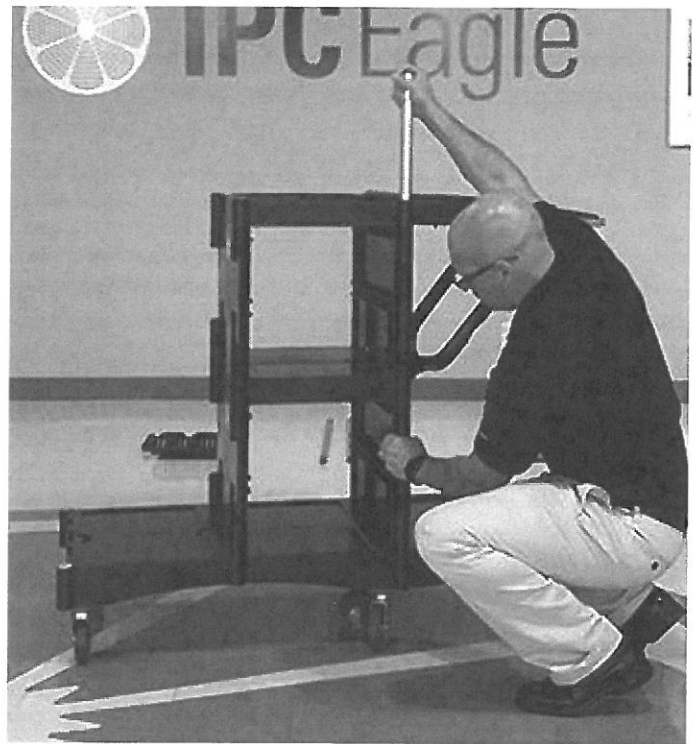


2

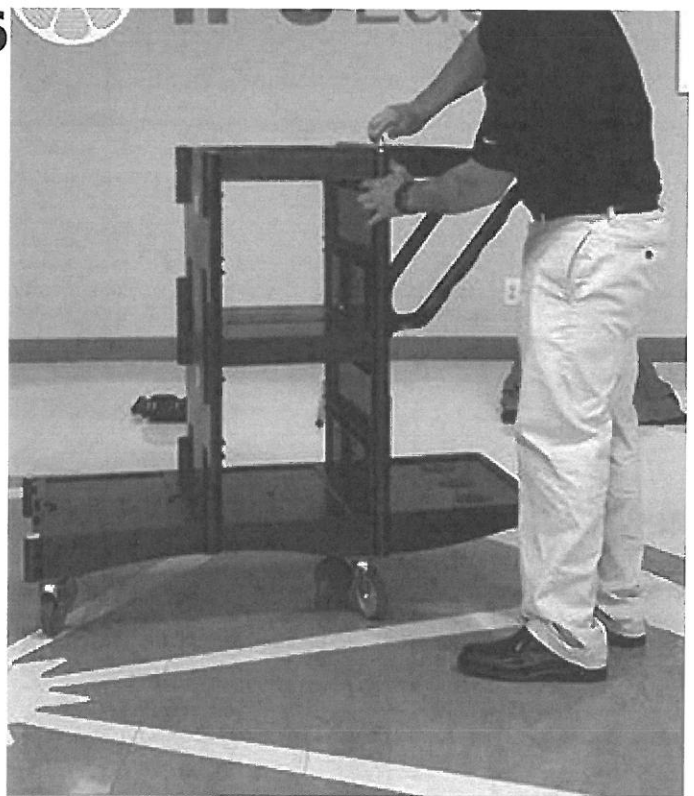




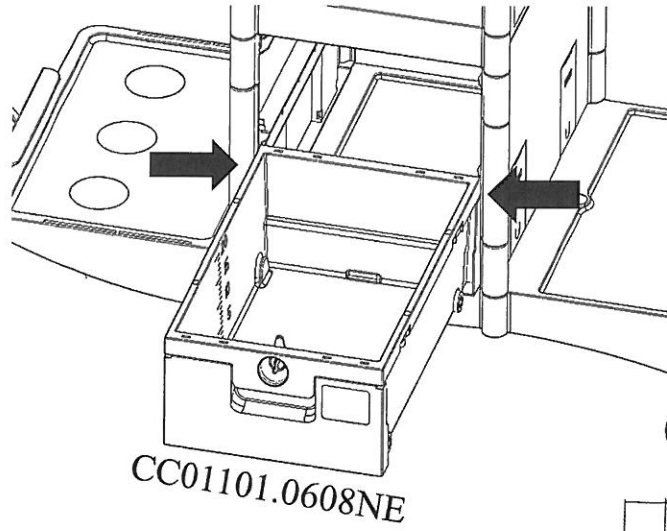
5



6

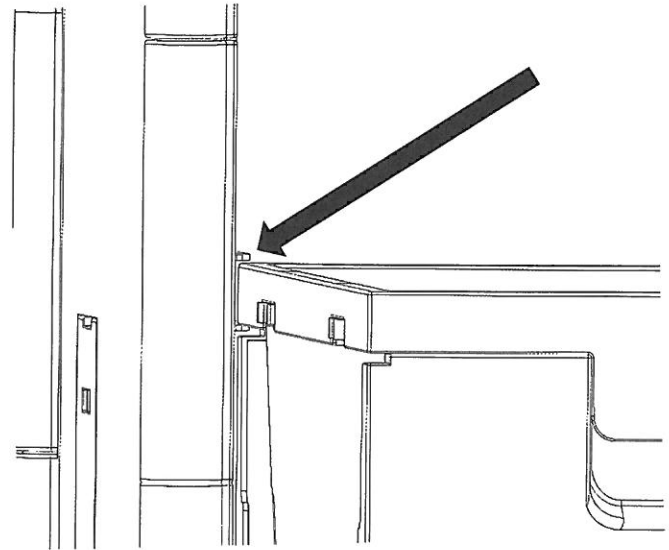


View the Brix Cart Drawer Assembly Video for additional instruction.
<https://youtu.be/c13EDoYkmC4>

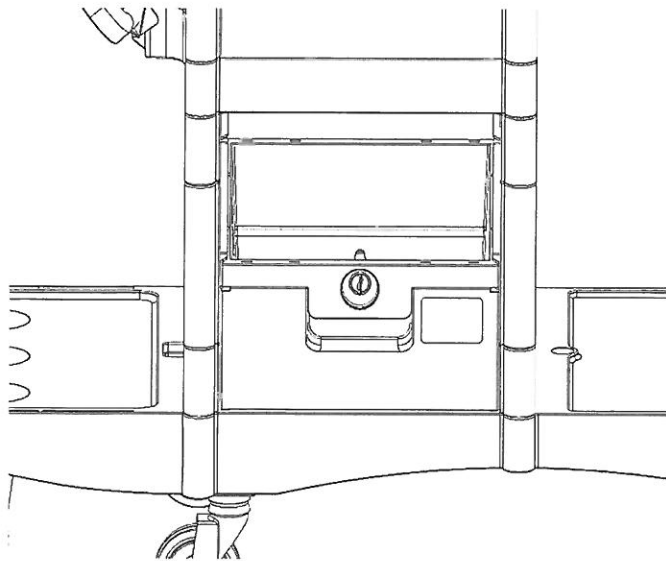


1

2

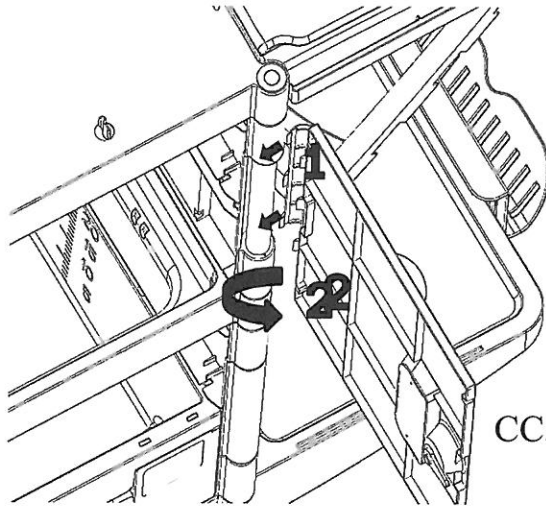


3

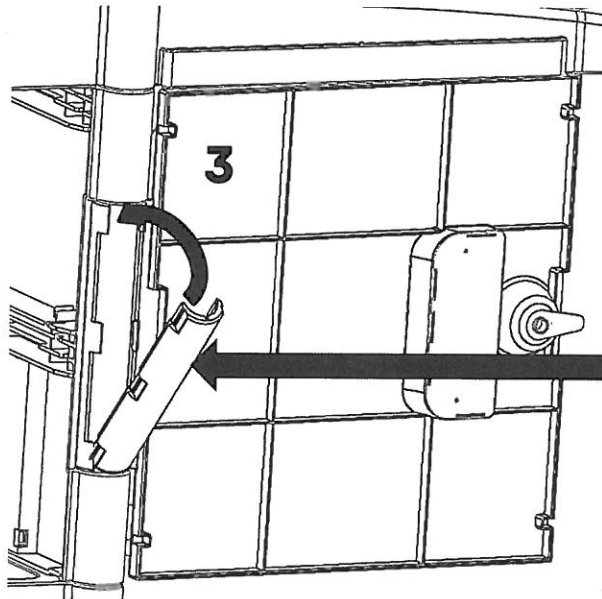


View the Brix Cart Doors Install Assembly Video for additional instruction.

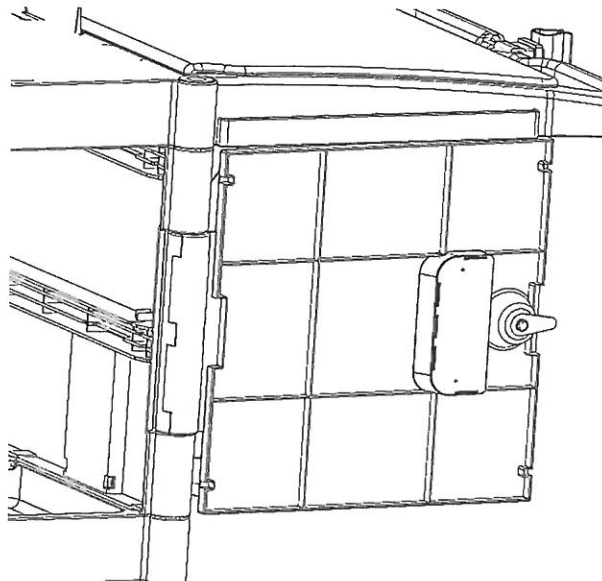
<https://youtu.be/NWwf8NMdq4I>

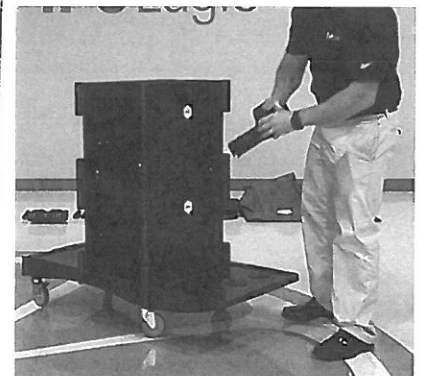
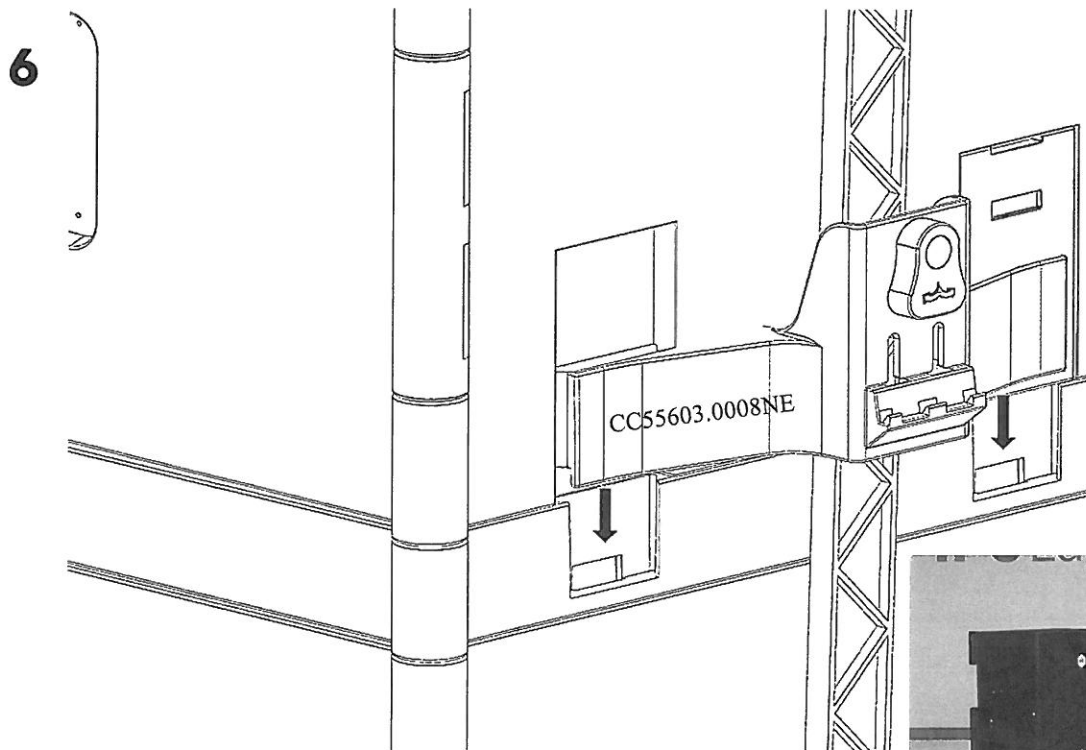
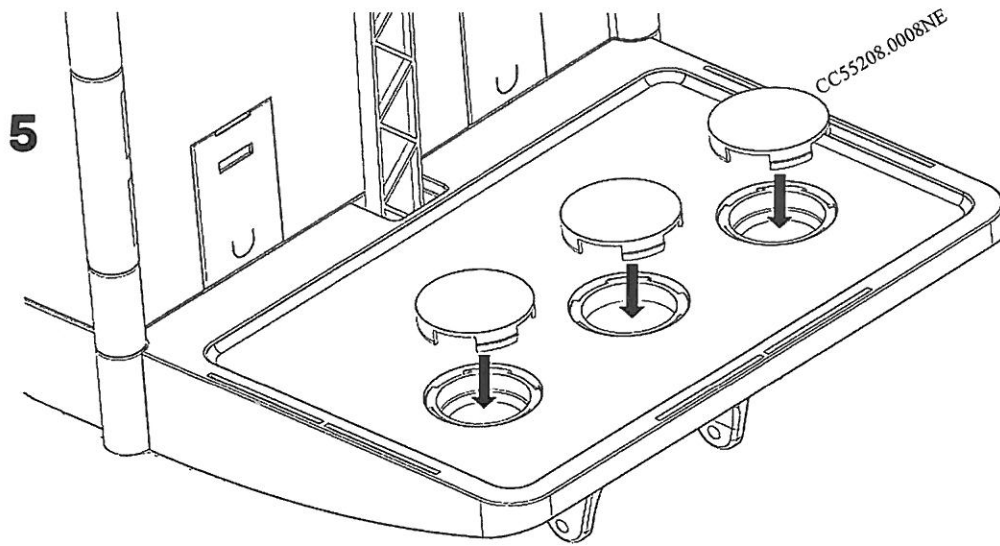


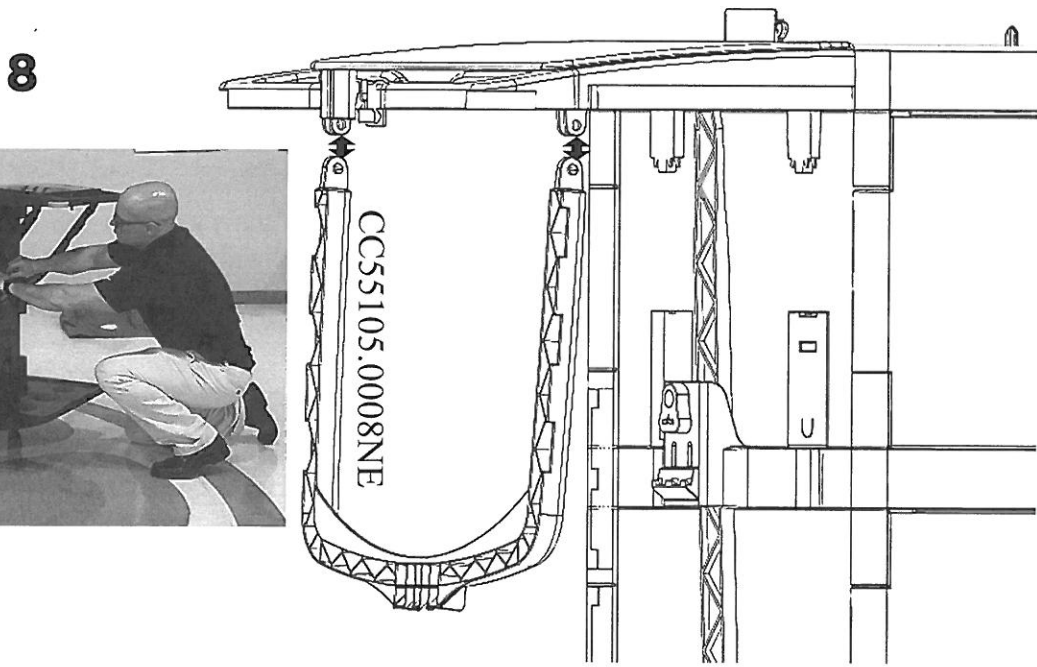
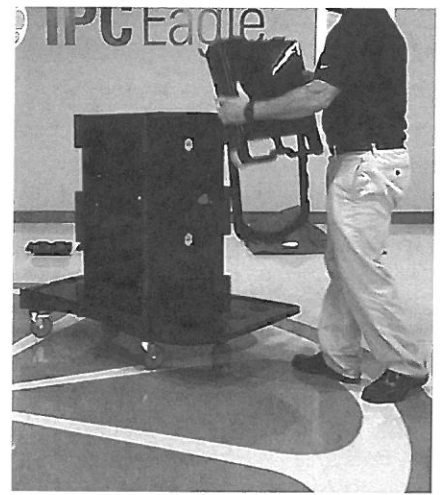
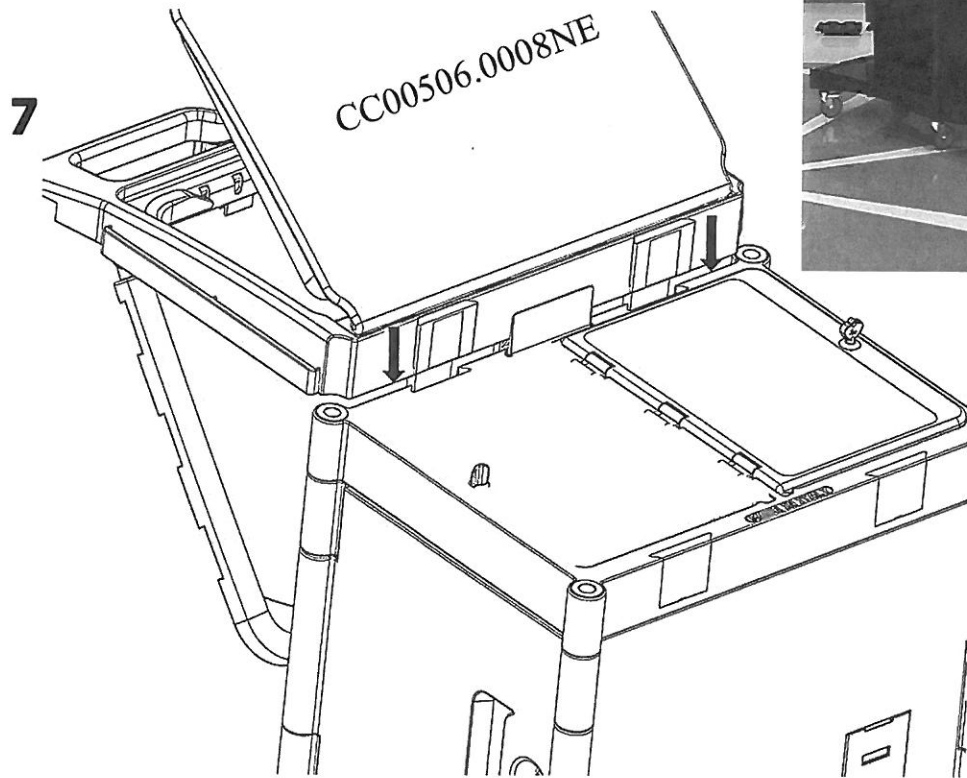
CC50901.0906NE



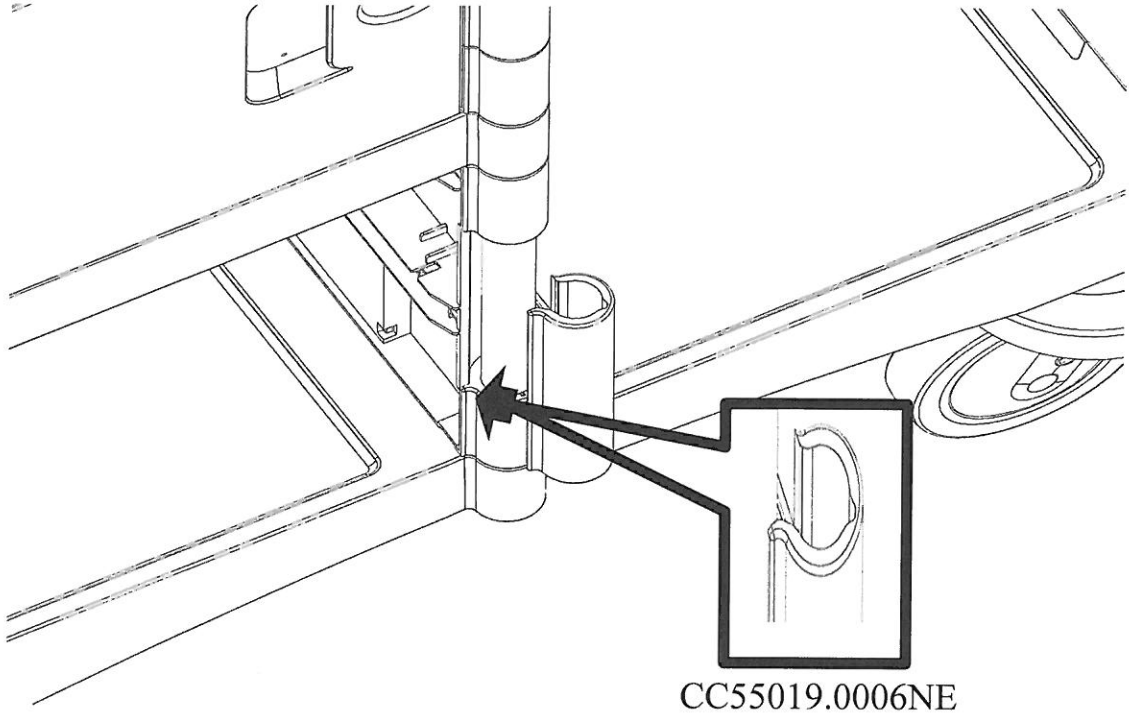
CC50901.0906NE



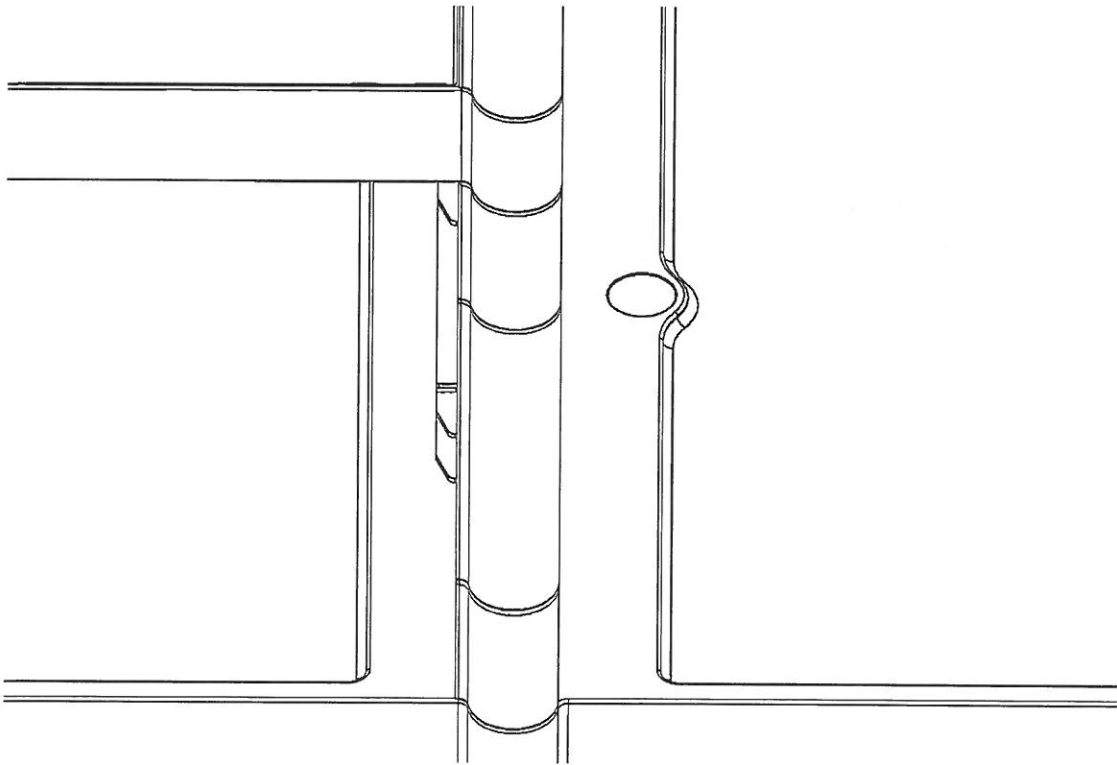


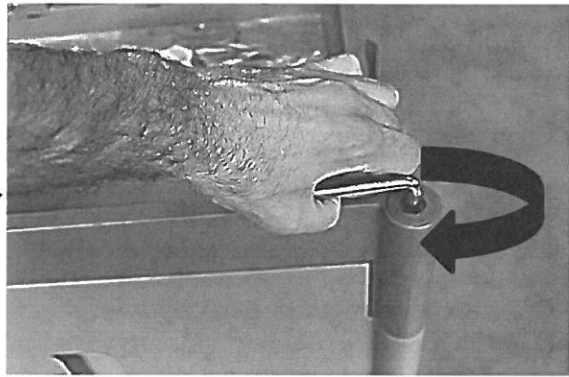
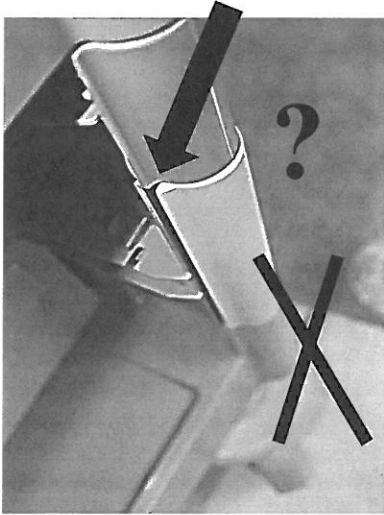
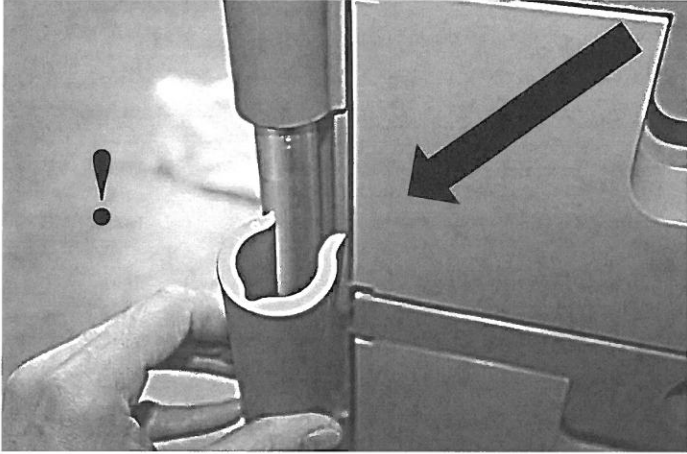


1

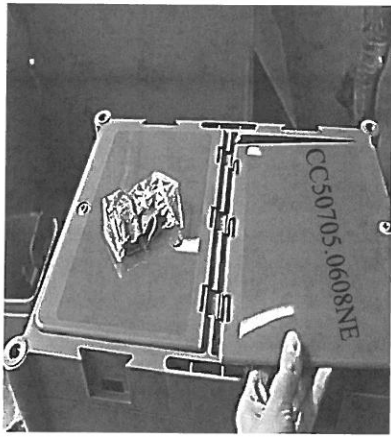


2

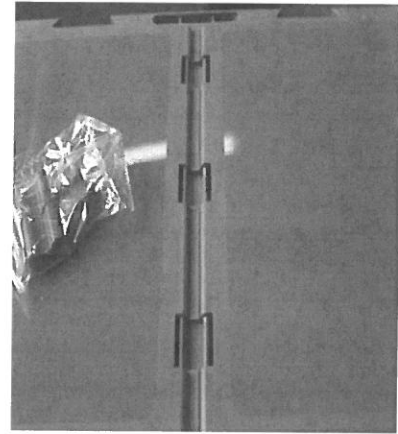




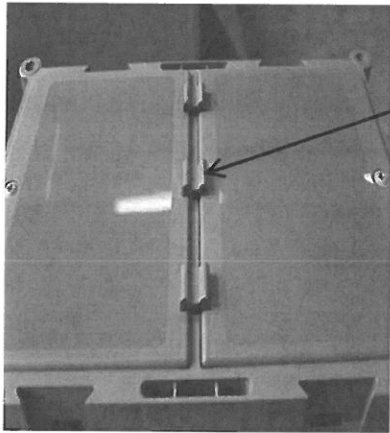
Brix Cart Desk Top Assembly



1

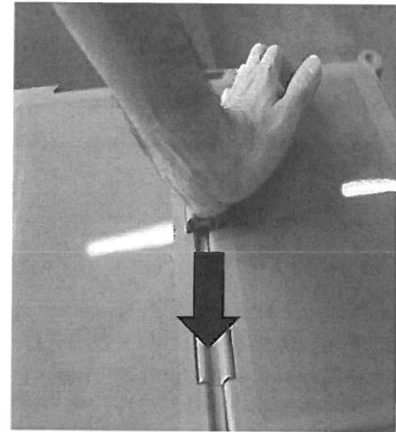


2



3

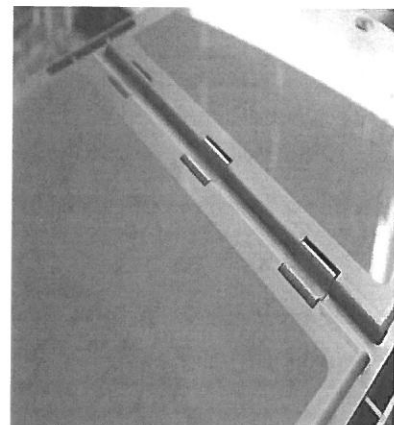
CC06004.0008NE

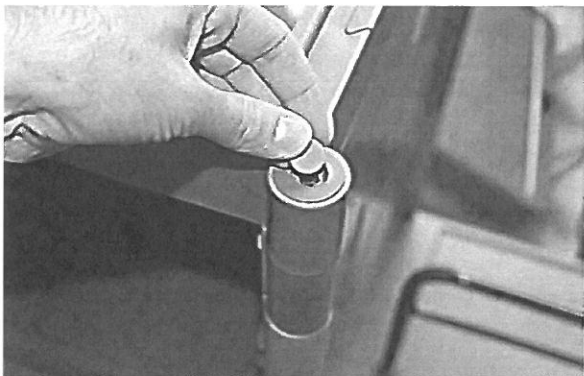
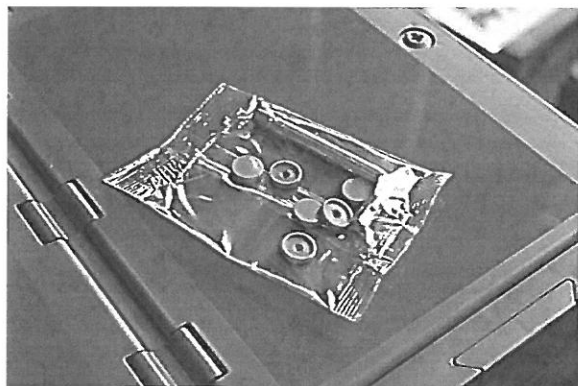
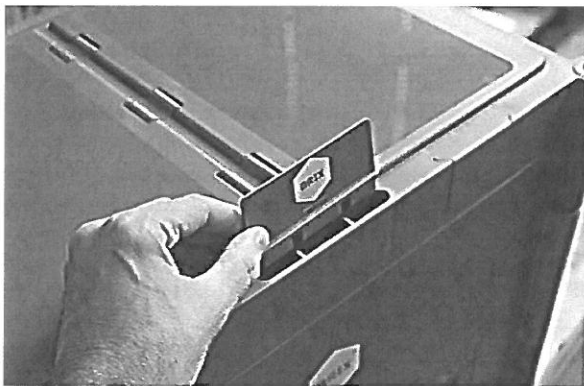
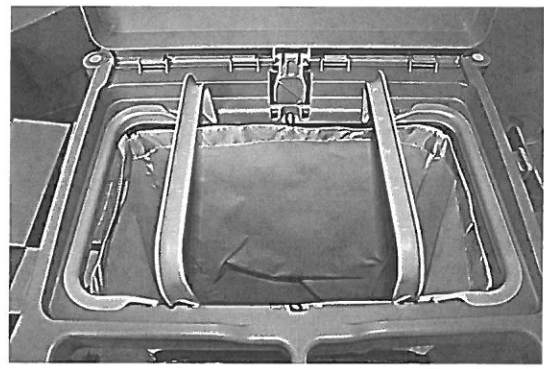
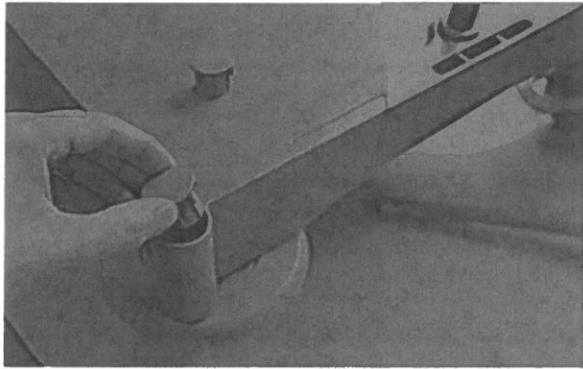


4



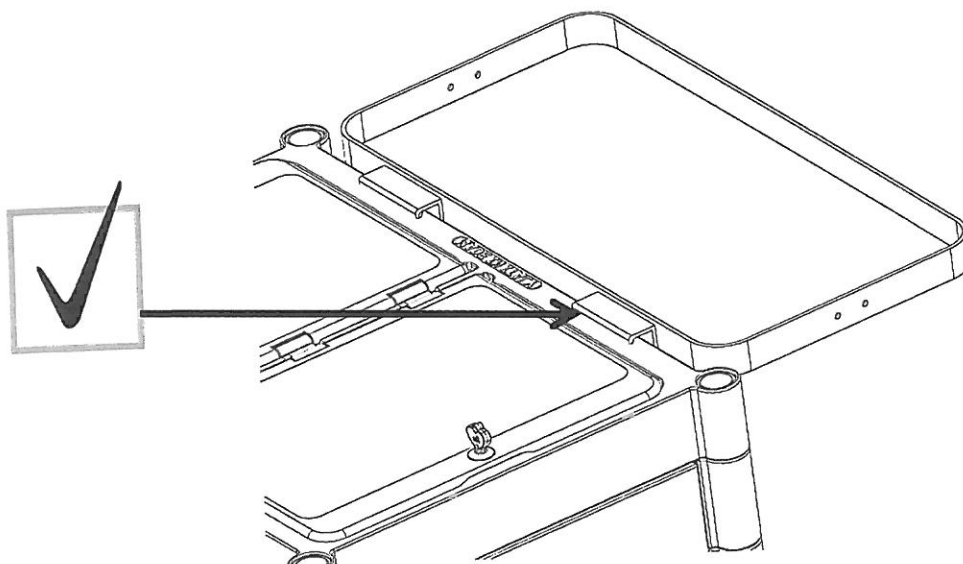
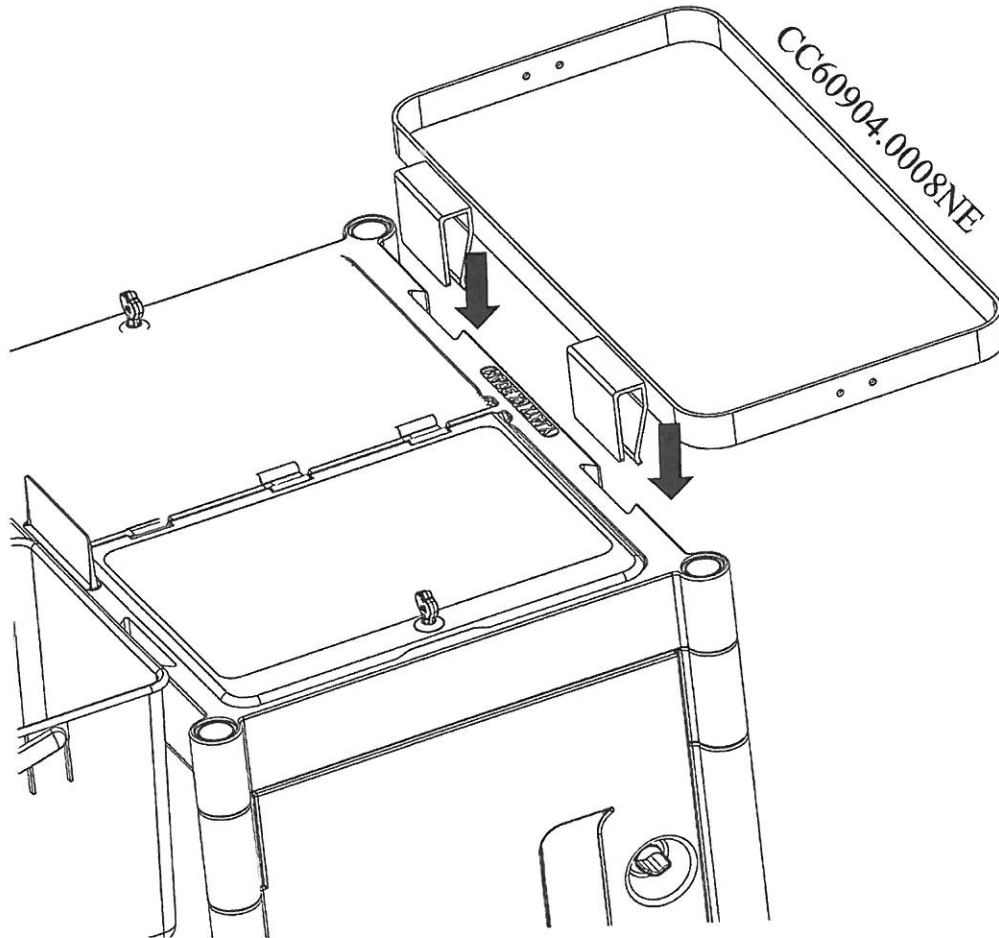
5





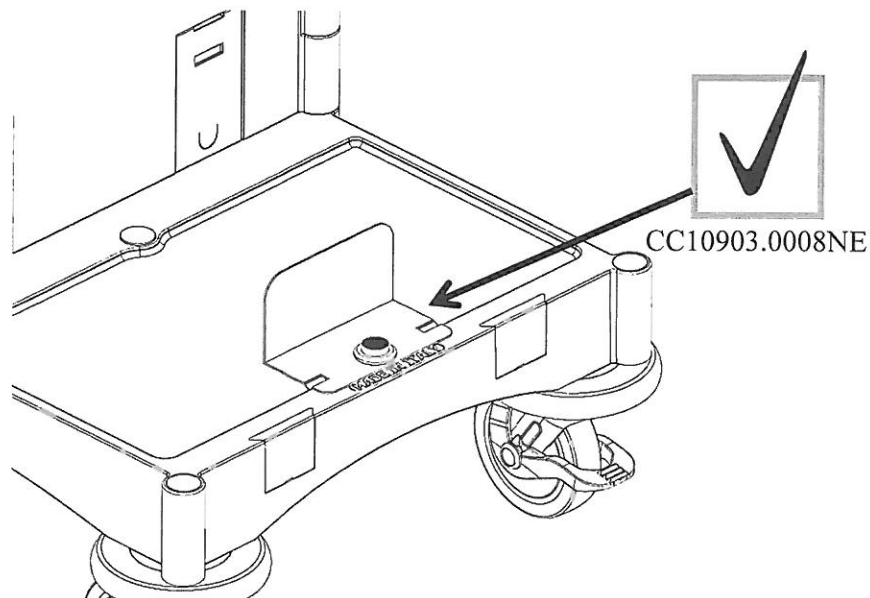
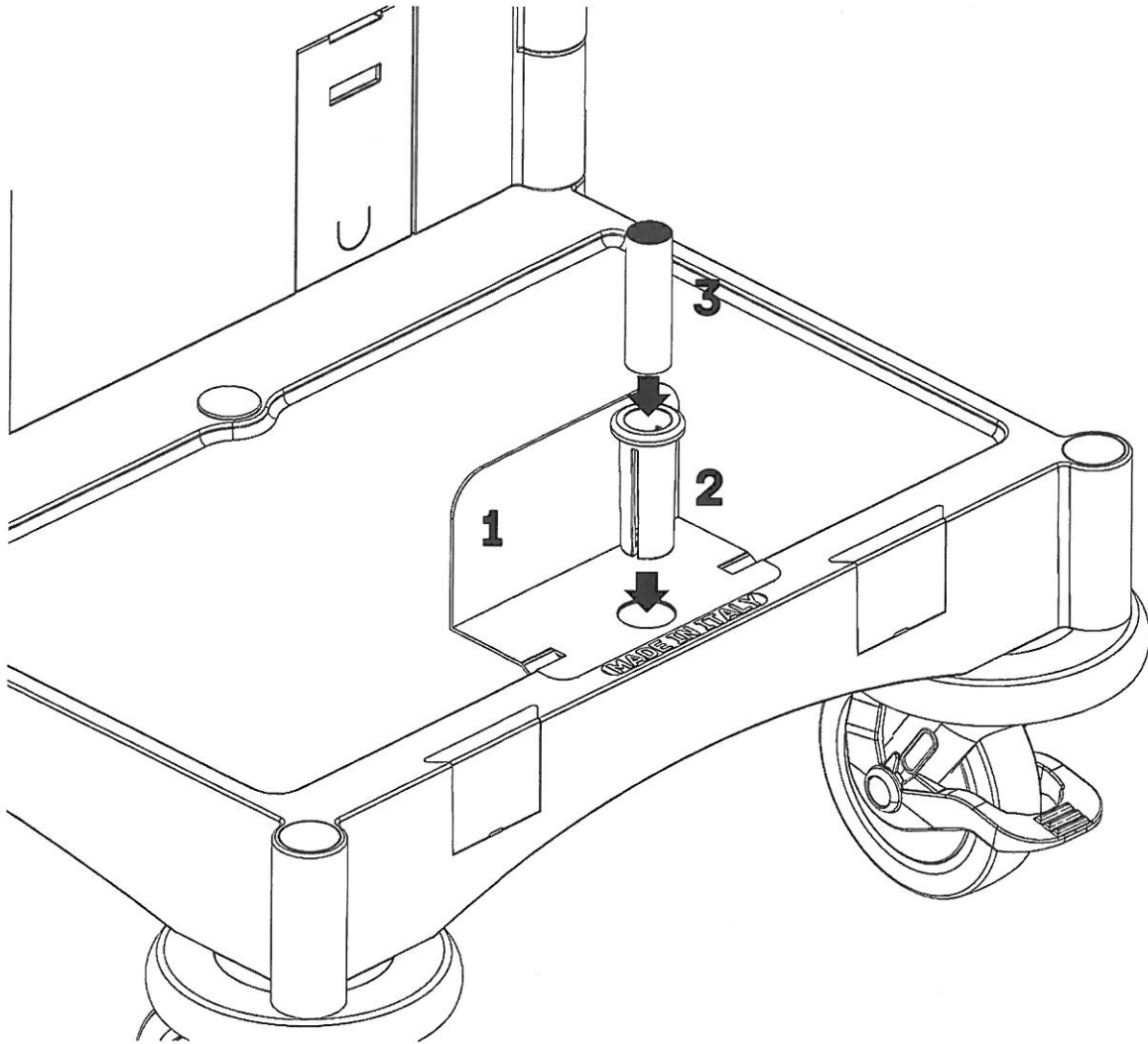
View the Brix Cart Pre Treat High Bucket Assembly Video for additional instruction.

<https://youtu.be/3Dvq0RroqO4>

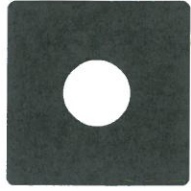


Brix Cart Pre Treat Low Bucket Assembly Video for additional instruction.

<https://youtu.be/Wogu1QTr8gI>



Black & Green



The Brix Cart System

Customize to meet your application



Standard Base Cart comes standard with:

- Metal casters with locking wheels one on each side
- Recessed Dual Tray Top
- Collection Bag Support
- Collection Bag Lid
- Collection Bag
- Dual Cavity Cabinet
- Transport Dolly



3650 Dodd Rd. • Eagan, MN 55123
651.686.5399 • Fax 651.686.5695 • 800.486.2775
www.ipceagle.com

IPC
EAGLE

AS v.1 7-16



BrixCart shown with 2 drawers, 2 Doors, & Counter-top



Brix Cart shown with 2 bucket mop system



BrixCart shown with 2 bucket pre-treat system



BrixCart shown with 2 collection bag system