

IPC Integrated Professional Cleaning

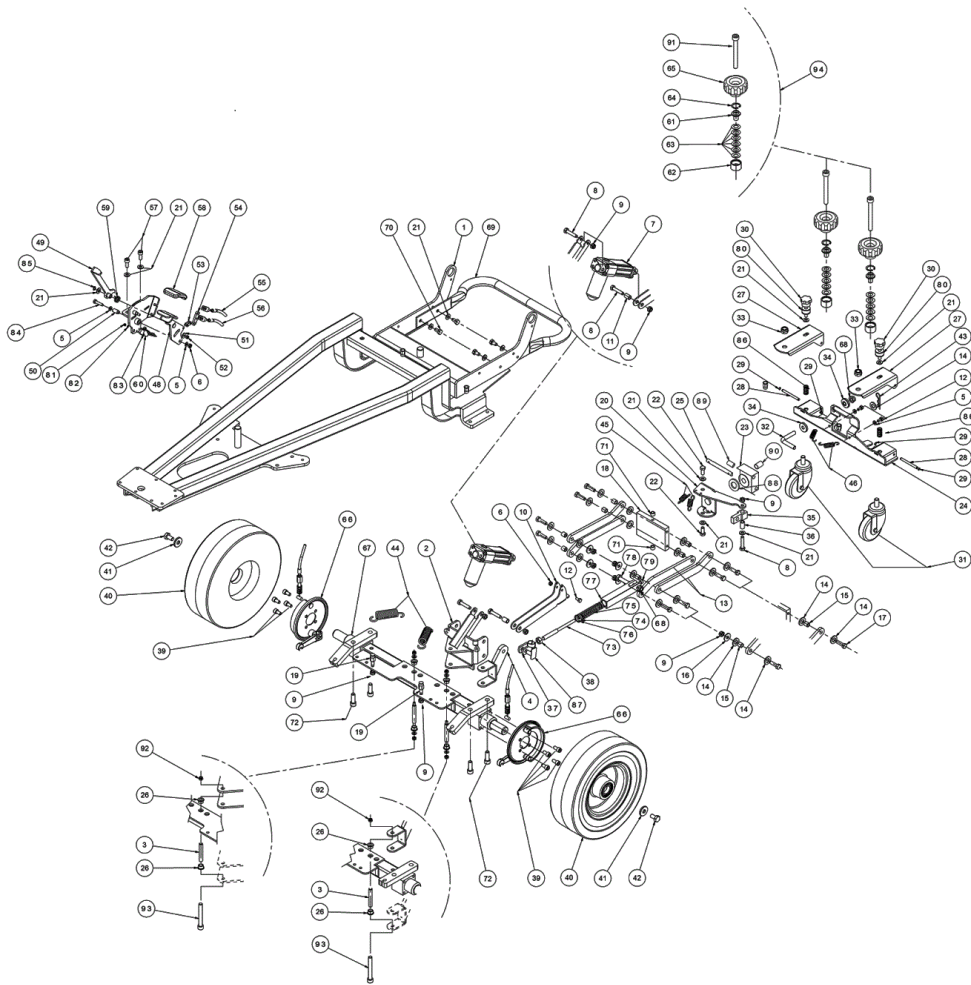
IPC Gansow

Spare Parts List

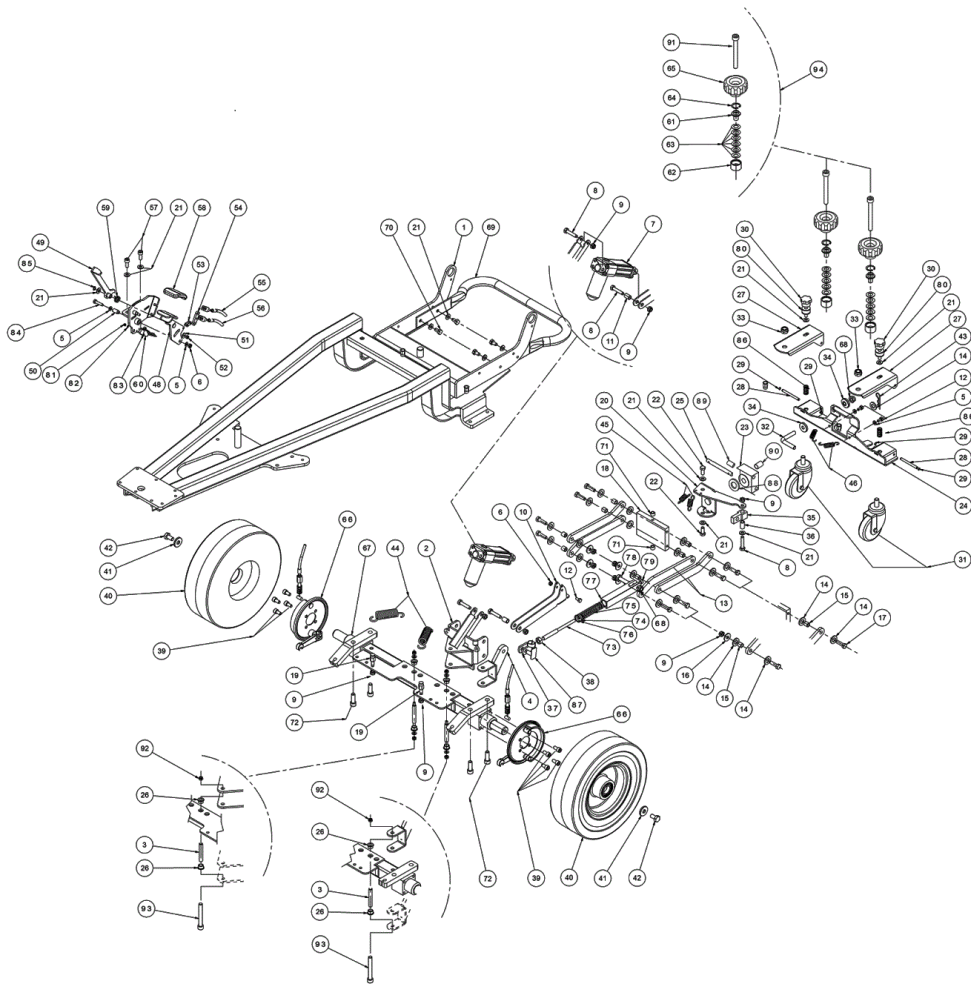
IPC EAGLE

Ref: LPTB01335

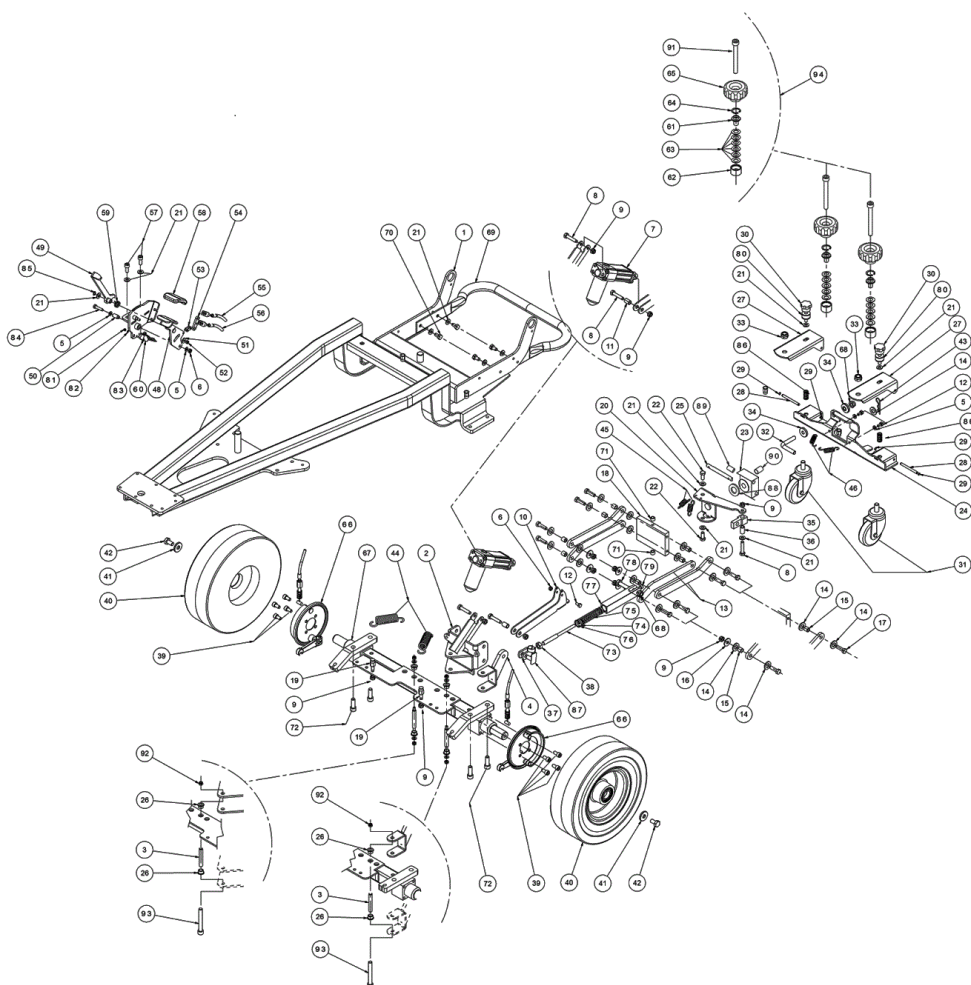
Model: CT160 BT75R SW GR/VE



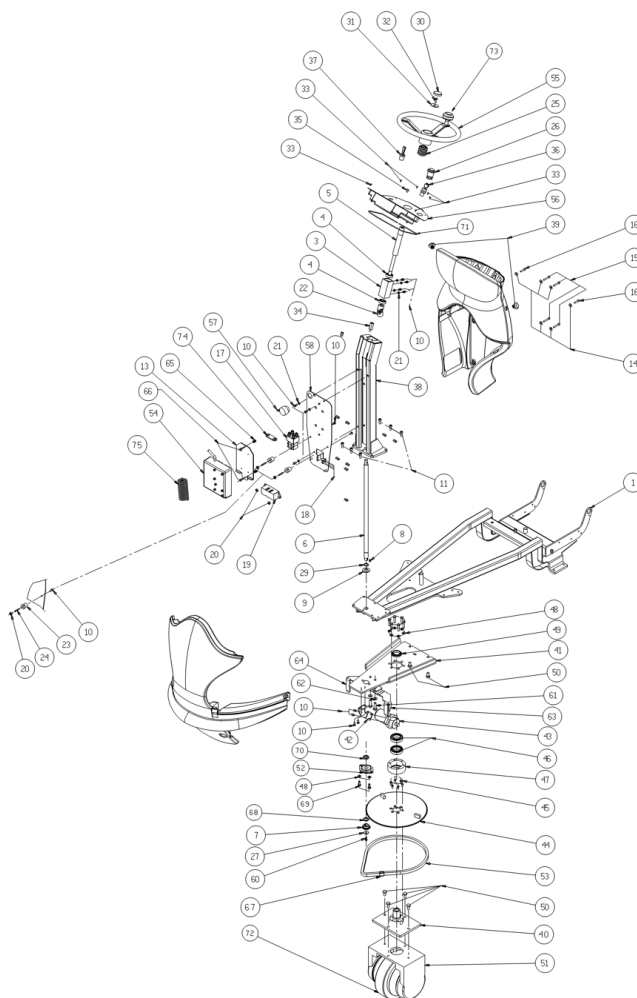
Ref.	K	Part N.	Customer Part N.	Description	Qty	Validity:		Price
						From	To	
0001		LAFN05790		FRAME COMPLETO CLT160	1,00			--
0002		LAFN05780		ARTICULATION PORTATERGI	1,00	05/2004		--
0003		LAFN07879		BUSHING -	2,00	07/2012		--
0003		LAFN04138		PIN PARALLELOGRAMMO	2,00		07/2012	--
0004		LAFN05778		ASSEMBLED C SNODO ORIZZONTALE	1,00			--
0005		VTRS00503		WASHER D. 6 TE UNI 6798	8,00			--
0006		VTDD00010		NUT AUTOBLOK DIN 985 M6 BASSO	6,00			--
0007		MOCC00139		ATUATOR TERGI AO-01M	1,00		05/2006	--
0007		MOCC00303		ATUATOR TERGI AO-01M	1,00	06/2006	10/2011	--
0007		MOCC00394		ATUATOR	1,00	10/2011		--
0008		VTVT00708		SCREW TE M. 8-40	3,00	05/2004		--
0009		VTDD01695		NUT M 8 INX	9,00	06/2005		--
0010		LAFN05777		LEVER SOLLEVAMENTO TERGI	1,00	05/2004		--
0011		LAFN04139		SPACER SNODO TERGI	1,00	05/2004		--
0012		VTVT15906		SCREW TE 6X 12 A2 UNI 5739	4,00	05/2004		--
0013		LAFN05779		ARM PARALLELOGRAMMA	4,00	05/2004		--
0014		VTRS15978		WASHER D.12X24 UNI 6592 INX	17,00	05/2005		--
0015		LAFN04151		BUSHING X PARALLELOGRAMMA	8,00	07/2004		--
0016		VTRS13946		WASHER D. 8 X24 INX UNI 6593	4,00			--
0017		VTVT13937		SCREW TE M 8X 30 INX UNI 5739	8,00	05/2004		--
0018		LAFN04125		PLATE TESTATA PARALLELOGR.	1,00	05/2004		--
0019		LAFN04143		PIN FISSA MOLLA	2,00			--
0020		LAFN05776		ASSEMBLED SNODO FINALE	1,00	05/2004		--
0021		VTRS13947		WASHER D. 8 INX UNI 6592	24,00	05/2004		--
0022		VTVT13938		SCREW TE 8X20 UNI5739 INX	2,00			--
0023		LAFN04122		ARTICULATION POSTERIORE	1,00	05/2004		--
0024		LAFN05775		ASSEMBLED PORTATERGI	1,00	05/2004		--
0025		LAFN04123		PIN SUPPORTO TERGI P.185	1,00	05/2004		--
0026		CUVR00130		BEARING STRISCIAMENTO	4,00	07/2012		--
0026		CUVR00139		BUSHING SITERIZZATA	4,00		07/2012	--
0027		LAFN08993		ARM PORTARUOTA TERGI P185	2,00	06/2011		--
0027		LAFN05809		ARM PORTARUOTA TERGI P185	2,00	05/2004	06/2011	--
0028		LAFN04150		PIN BRACCIO RUOTA TERGI P185	2,00	05/2004		--
0029		VTAE48552		CIRCLIP D. 6 UNI 7435	4,00	05/2004		--
0030		VTVR00534	#8479.90.9498	HANDWHEEL 8MAX20 D.40	2,00			--
0031		RTRT00303		WHEEL PORTA TERGI P185	2,00	05/2004		--
0032		LAFN04135		REGISTER CAMPANATURA TERGI	1,00	05/2004		--
0033		VTDD00176		NUT M.12 INOX A2 BASSO AUTOB.	2,00	05/2004		--
0034		LAFN04136		KNOB REGISTRO TERGI	2,00	05/2004		--



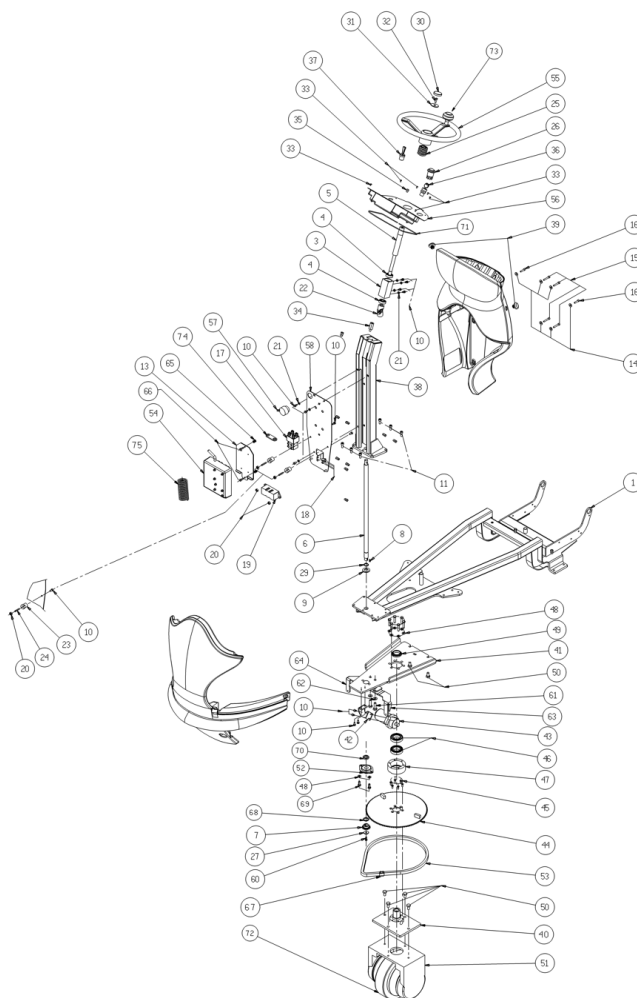
Ref.	K	Part N.	Customer Part N.	Description	Qty	Validity:		Price
						From	To	
0035		LAFN04124		BLOCK SNODO PARAL ORIZ	1,00	05/2004		--
0036		LAFN04158		SPACER PARALL.LATER.TERGI P185	1,00	05/2004		--
0037		CMCV00314		FORK M.10 CPL.CLIP	1,00			--
0038		VTDD00154		NUT M.10 INOX A2	1,00			--
0039		VTVT00876		SCREW TCEI M.8-16	8,00	04/2005		--
0040		RTRT00301		WHEEL REAR D.306 4.00-4 CT160	2,00			--
0041		LAFN04144		WASHER RUOTE POSTERIORI	2,00			--
0042		VTVT13936		SCREW TE M 10X 20	2,00			--
0043		VTVR00226		SPLIT PIN ELASTICA D2	1,00	05/2004		--
0044		MLML00241		SPRING TESTATA SPAZZOLA P185	2,00			--
0045		MLML00022		SPRING GANCIO ARPIONE	2,00	05/2006		--
0045		MLML00243		SPRING PRESSIONE TERGI P185	2,00	05/2004	05/2006	--
0046		MLML00242		SPRING LIVELLAMENTO TERGI P185	2,00	05/2004		--
0047		LAFN05766		SUPPORT PEDALE CPL	1,00			--
0048		LAFN05767		ASSEMBLED PEDALE FRENO	1,00			--
0049		LAFN05768		PEDALE BLOCCO	1,00			--
0050		LAFN04142		PIN PEDALE FRENO	1,00			--
0051		VTRS15958		WASHER D. 5 X15 UNI 6593	1,00			--
0052		VTDD15517		NUT M 5 INX	1,00			--
0053		MTCR47037		WARP KNITTING 3/8	1,00			--
0054		LAFN05769		BALANCER PER CAVI FRENO	1,00			--
0055		CMCV00311		CABLE FRENO SX	1,00			--
0056		CMCV00310		CABLE FRENO DX	1,00			--
0057		VTVT01351		SCREW M8-20 INOX A2 -70	2,00			--
0058		MPVR45096		RUBBER V 1201 GR.	1,00			--
0059		MLML00237		SPRING RICHIAMO PEDALE B.F. P185	1,00			--
0060		MECI44780		MICROSWITCH D2VW-5L2A-1M OMR	1,00			--
0061		LAFN04121		PIN MOLLE A TAZZA	2,00		02/2012	--
0061		LAFN07939		PLATE XS	2,00	02/2012		--
0062		LAFN04137		CONTAINER MOLLE A TAZZA	1,00			--
0063		MLML00245		SPRING A TAZZA	10,00			--
0064		VTAE13513		CIRCLIP D. 26 UNI 7437	2,00			--
0065		CHVR00500		HANDLE A RIPRESA M8x40	2,00		02/2012	--
0065		VTVR00047		HANDWHEEL D.50 M8	2,00	02/2012		--
0066		RTRT45090		BLOCK BRAKE D.125 TK	2,00	05/2004		--
0067		LAFN07957		AXLE CT160	1,00	07/2012		--
0067		LAFN05792		ASSEMBLED ASSALE POSTERIORE	1,00		07/2012	--
0068		VTDD00151		NUT M.10	1,00	03/2005		--
0069		LAFN06275		TUBE ROLL BAR POSTER.CL160	1,00			--



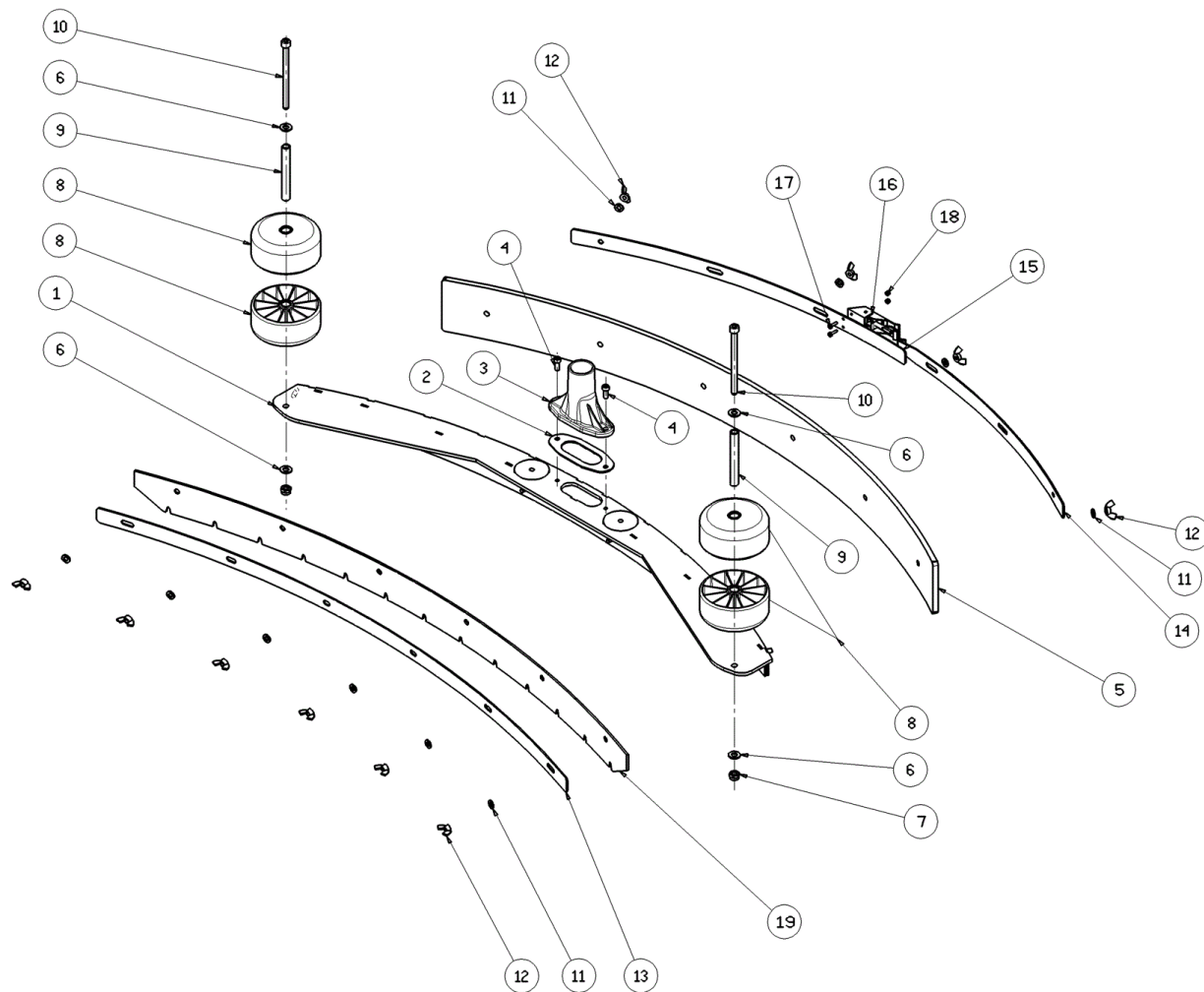
Ref.	K	Part N.	Customer Part N.	Description	Qty	Validity:		Price
						From	To	
0070		VTVT15916		SCREW TE M 8X 16 UNI 5739 A2	4,00			--
0071		LAFN04157		BUSHING SNODO FINALE	2,00	05/2004		--
0072		VTVT00307		SCREW TCEI M10X30	4,00	05/2004		--
0073		LAFN06819		TUBE ADATTATORE MARMITTA	1,00	03/2005		--
0074		LAFN06818		TUBE ADATTATORE MARMITTA	2,00	03/2005		--
0075		MLML00290		SPRING AMMORTIZZATORE TERGI	1,00	03/2005		--
0076		VTAE47053		CIRCLIP D. 20 UNI 7437	1,00	03/2005		--
0077		LAFN06817		TUBE ADATTATORE MARMITTA	1,00	03/2005		--
0078		VTVT01549		SCREW TE M10-40	1,00	03/2005		--
0079		VTVT01314		SCREW TCEI M6 X 12 INOX	1,00	03/2005		--
0080		ABGO00042		VIBRATION DAMP.REGOLAZIONE TERGI CLT160	2,00	06/2005		--
0081		VTDD21115		NUT M 3 INOX	2,00			--
0082		VTRS21116		WASHER D. 3 INX	4,00			--
0083		VTVT01350		SCREW M3-20 INOX	2,00			--
0084		VTVT00433		SCREW TE M 6X 30 UNI 5739 INX	1,00	05/2005		--
0085		VTAE14096		CIRCLIP D. 8 UNI 7435	1,00			--
0086		MLML00239		SPRING PER RUOTE TERGI P185	2,00	05/2004		--
0087		CMCV00007		CLIP X FORCELLA UNI 1676 M10	1,00			--
0088		VTRS00250		WASHER D.14	1,00	05/2009		--
0089		MPVR00011		BUSHING GLYCODUR GLY.PG 10-12-20F	3,00	05/2009		--
0090		MPVR05638		BUSHING GLYCODUR GLY.PG 10-12-20F	1,00	06/2009		--
0091		VTVT01198		SCREW TCEI M8X70	2,00	02/2012		--
0092		VTDD01695		NUT M 8 INX	2,00	07/2012		--
0093		VTVT01148		SCREW TCEI M8X70	2,00	07/2012		--
0094		KTRI02079		KIT SQUEEGEE KNOB CT160 CT230	1,00			--



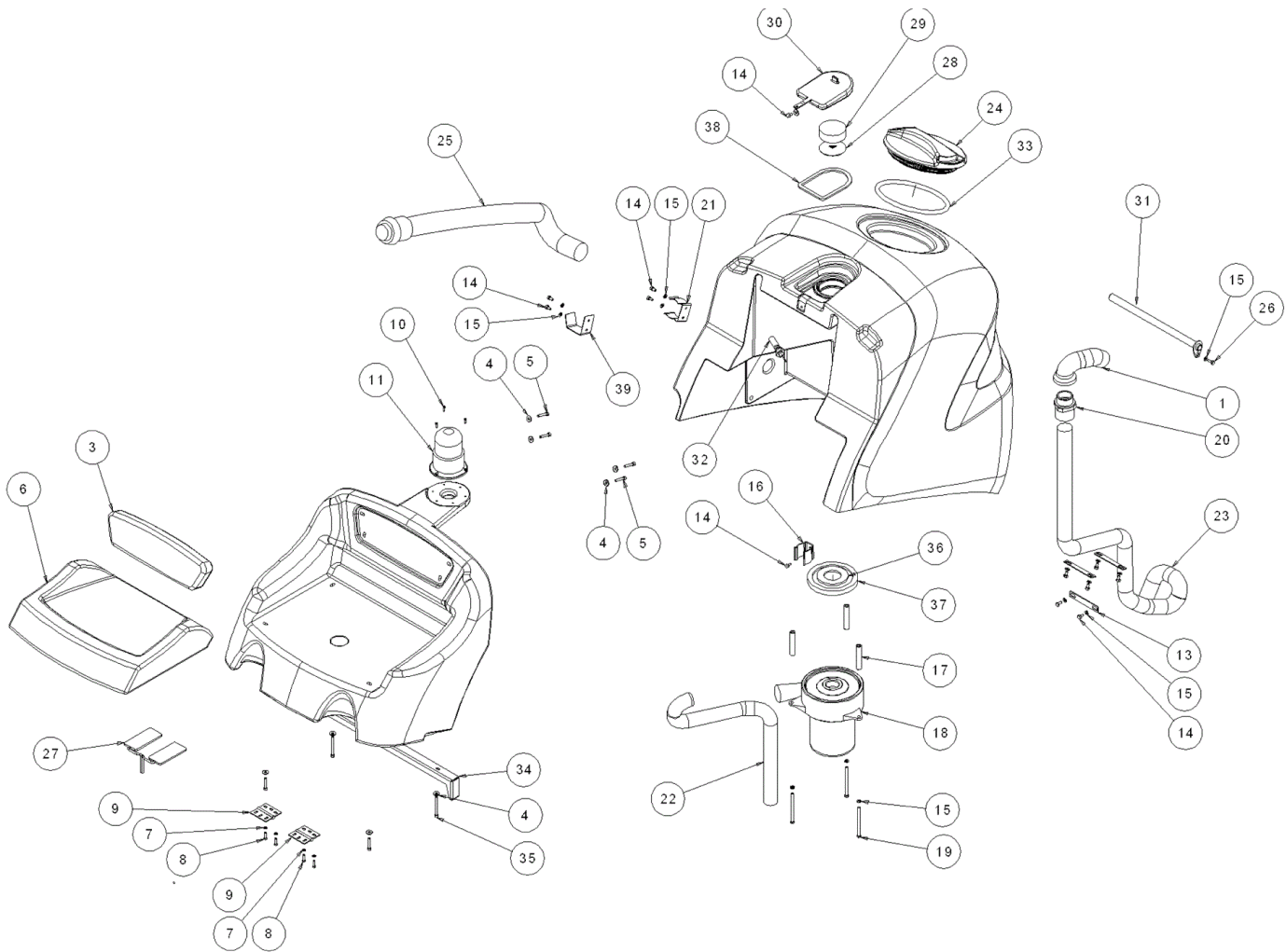
Ref.	K	Part N.	Customer Part N.	Description	Qty	Validity:		Price
						From	To	
0001		LAFN05790		FRAME COMPLETO CLT160	1,00			--
0003		LAFN04133		HUB ALBERO STERZO	1,00			--
0004		CUVR17004		BALL BEARING 6202 -2RS1	2,00			--
0005		LAFN04076		SHAFT STERZO SUPERIORE P185	1,00			--
0006		LAFN04131		SHAFT STERZO NUOVO	1,00			--
0007		MTCR00070		PINION ALBERO STERZO P185	1,00			--
0008		VTVR00229		KEY 5X5X12	1,00			--
0009		VTRS00019		WASHER UNI 6592 FORO 20 INOX	1,00			--
0010		VTVT15906		SCREW TE 6X 12 A2 UNI 5739	13,00	05/2004		--
0011		VTVT01351		SCREW M8-20 INOX A2 -70	6,00			--
0013		LAFN05810		SUPPORT SCHEDA P185	1,00			--
0014		VTRS00245		WASHER D.6 UNI 6592 INOX	6,00	05/2004		--
0015		VTVT15912		SCREW TCEI M 6X35 UNI 5931 INX	4,00			--
0016		VTVT15966		SCREW TCEI M 6X25	2,00			--
0017		METT00065		CONTACTOR 36 V	1,00			--
0018		VTVT00881		SCREW TC+ M4x6 TRILOBATA INOX	4,00			--
0019		MEVR00145		FUSE 100A	1,00			--
0020		VTDD13942		NUT M 6 UNI 5587 INX	4,00			--
0021		VTRS00503		WASHER D. 6 TE UNI 6798	7,00			--
0022		VTVR00057		ARTICULATION CARDANICO	1,00			--
0023		MEVR01437		INSULATOR 35-CH32-M6 P185	2,00			--
0024		VTVT00900		GRUB SCREW M 6-30 CON ES	2,00			--
0025		MPVR51068		PROTECTOR STERZO CLT 160	1,00			--
0026		MECI00028		BUTTON DI EMERGENZA TK1400 24V	1,00			--
0027		LAFN04134		WASHER PIGNONE STERZO	1,00			--
0029		VTAE00050		RING D'ARRESTO ALBERO	1,00			--
0030		MPVR47026		BLACK CAP L.14	1,00			--
0031		VTRS44254		WASHER D.10 X40X2.5 UNI6593	1,00	05/2004		--
0032		VTVT01550		SCREW TCCE UNI 5931 6X50 ZB	1,00			--
0033		VTVT21096		SCREW TE M 4X 10 INX	6,00			--
0034		LAFN51017		SPACER CRUSC.	1,00			--
0035		VTVT00666		SCREW TBEI M 8X 10 INOX	1,00			--
0036		MECI75805		SWITCH TK	1,00			--
0037		MECI00337		SWITCH A LEVA	1,00			--
0038		LAFN05787		ASSEMBLED PIANTONE	1,00			--
0039		MPVR04658		CAP PER TUBO D.20 CLT160	2,00			--
0040		LAFN05765		ASSEMBLED RALLA STERZO	1,00			--
0041		LAFN05763		ASSEMBLED PIASTRA STERZO	1,00			--
0042		LAFN05795		BRACKET PORTAPOMPA	1,00			--



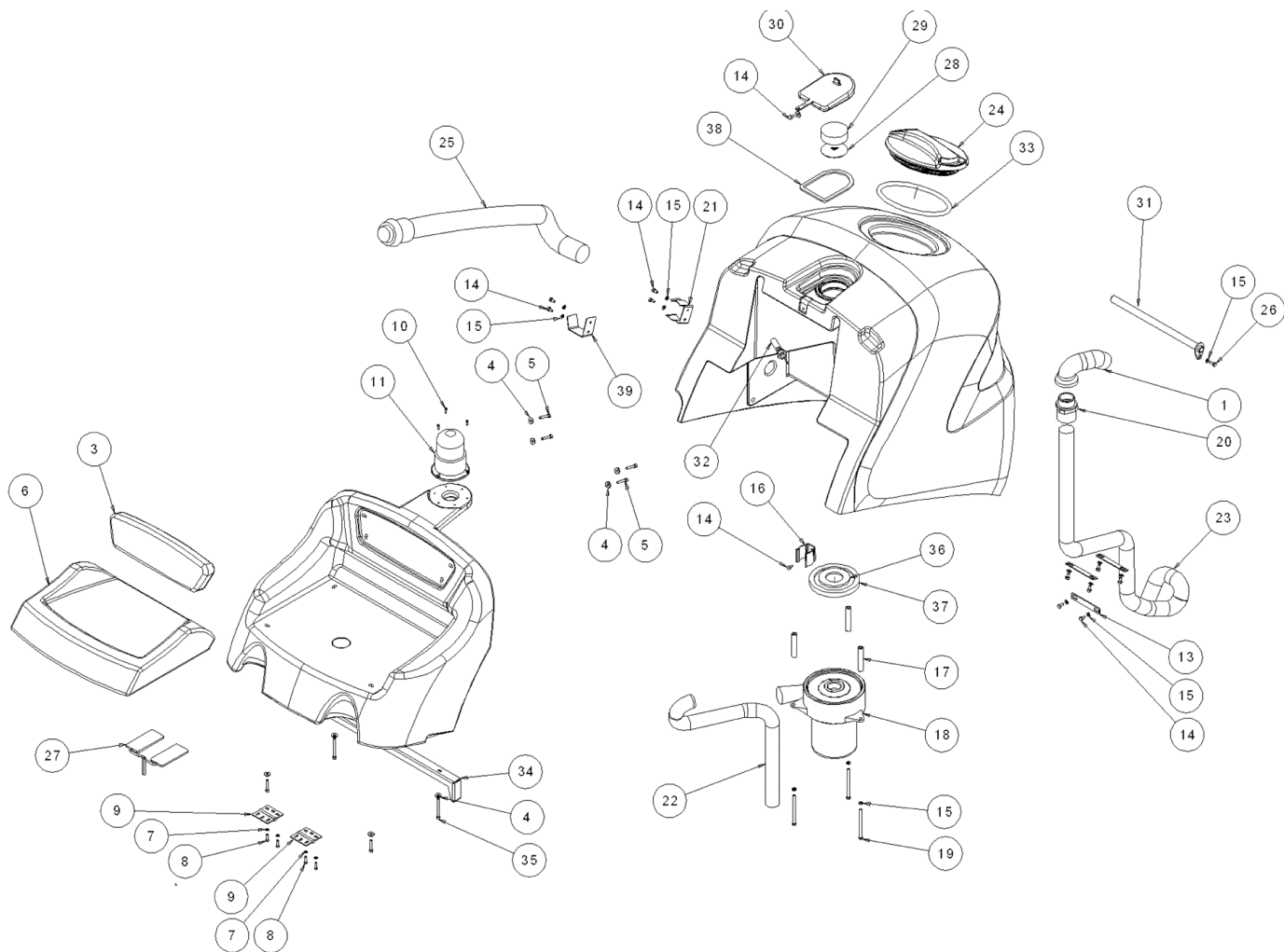
Ref.	K	Part N.	Customer Part N.	Description	Qty	Validity:		Price
						From	To	
0043		PPEL00025		PUMP EST. 36V	1,00			--
0044		LAFN05764		ASSEMBLED CORONA STERZO	1,00			--
0045		VTVT00832		SCREW TSPEI M6X16 INOX	6,00			--
0046		CUVR00120		BEARING 6007-2RS1	2,00			--
0047		LAFN04117		BUSHING PORTACISCINETTI	1,00			--
0048		VTRS01776		WASHER D. 8 X17 INX UNI 6593	6,00		11/2005	--
0048		VTRS13947		WASHER D. 8 INX UNI 6592	2,00	11/2005		--
0049		VTVR75747		RING NUT AUTOBLOK M 35 X 1,5 GUK	1,00			--
0050		VTVT13936		SCREW TE M 10X 20	6,00			--
0051		MEVR01746		CARBON X MOT.COD.MOCC00374	4,00			--
0051		MOCC00380		DRIVE ASSEMBLY -	1,00	01/2010		--
0051		RTRT00250		DRIVE ASSEMBLY V36 560W	1,00		01/2010	--
0052		CUVR00105		SUPPORT	1,00	11/2005		--
0052		CUVR00141		BUSHING SINTERIZZATA STERZO	1,00		11/2005	--
0053		MTCR00085		CHAIN 3/8"	1,00			--
0054		MECE00265		BOARD POWER TRACTION CT160	1,00			--
0055		MPVR47027		STEERING WHEEL D. 320 L.14	1,00			--
0056		MEQE00050	#8479.90.9498	CONTROL BOARD DISPLAY CT160	1,00			--
0057		MEVR01436		BUZZER -	1,00			--
0058		LAFN05788		PLATE PORTAELETTRONICA	1,00			--
0060		VTVT00717		SCREW TCEI M. 6-16	1,00			--
0061		VTVT00715		SCREW TE M.10-35	2,00			--
0062		VTRS15523		WASHER D.10 X21 INOX UNI 6592	2,00			--
0063		LAFN06487		BRACKET FISSA CARENE DP	1,00			--
0064		LAFN06486		BRACKET FISSA CARENE DP	1,00			--
0065		VTRS00365		THICKNESS 18X25X1	4,00			--
0066		VTVT01127		SCREW TE M6x20	2,00			--
0067		MTCR47037		WARP KNITTING 3/8	1,00	06/2004		--
0068		LAFN07030		SPACER -	1,00	11/2005		--
0069		VTVT15916		SCREW TE M 8X 16 UNI 5739 A2	2,00	11/2005		--
0070		LAFN07029		SPACER -	1,00	11/2005		--
0071		GUGO00415		GASKET PANNELLO COMANDI CT160	1,00			--
0072		RTRT00430		RING GOMMA RUOTA ANT.	1,00		01/2010	--
0072		RTRT00533		RING MOTORWHEEL	1,00	01/2010		--
0073		MPVR47040		KNOB L.14	1,00			--
0074		MECB00117		WIRING TELERUTTORE	1,00			--
0075		MECB01103		WIRING -	1,00	05/2009		--



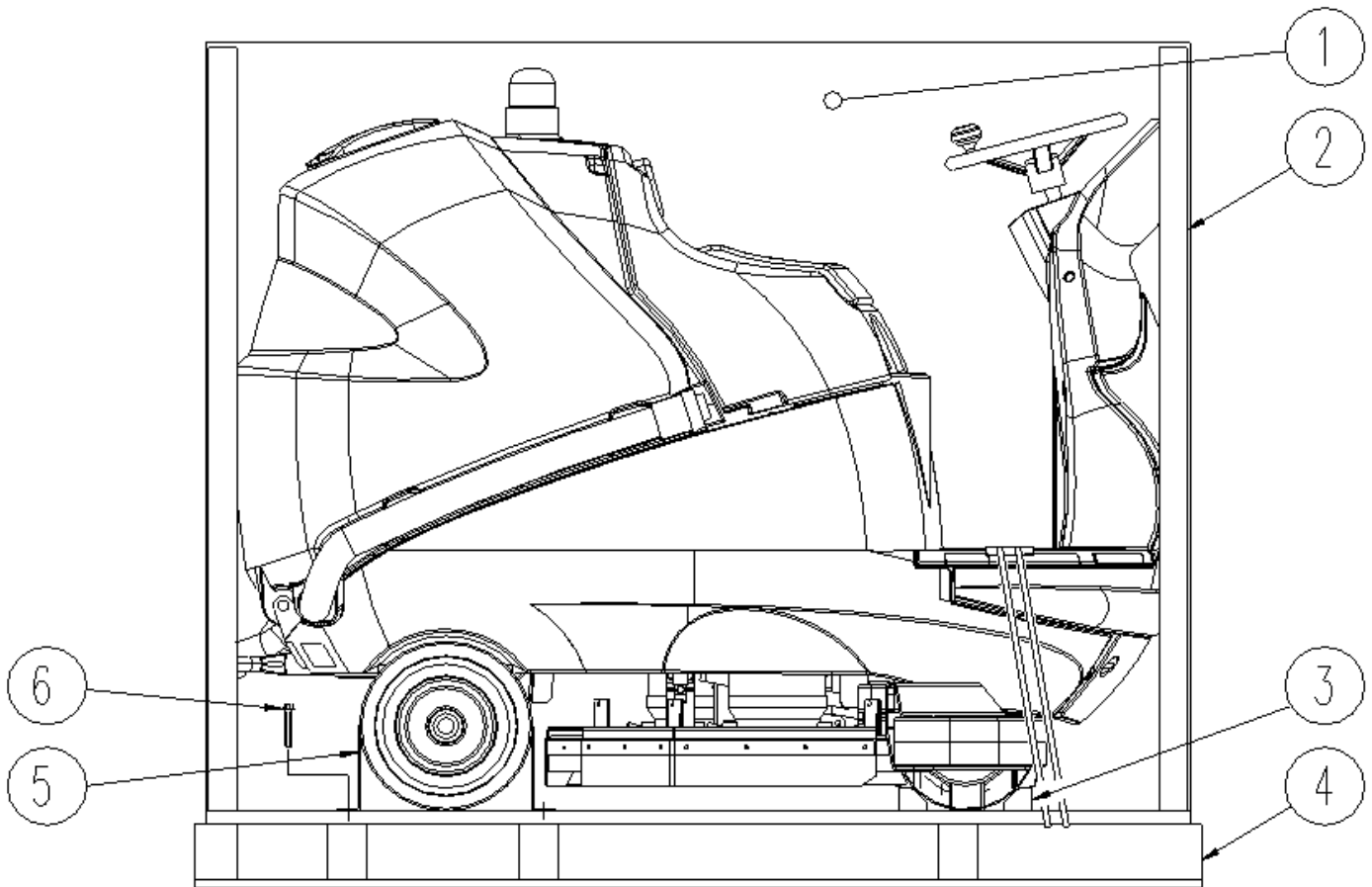
Ref. K	Part N.	Customer Part N.	Description	Qty	Validity:		Price
					From	To	
0001	LAFN05773		ASSEMBLED TERGITORE 850	1,00			--
0002	GUGO06700		GASKET SQUEEGEE	1,00			--
0003	MPVR04626		SLEEVE PVC D. 36 MIR.	1,00			--
0004	VTVT00717		SCREW TCEI M. 6-16	2,00			--
0005	MPVR02832		BLADE SQUEEGEE REAR CT160-85	1,00	06/2004		--
0006	VTRS13947		WASHER D. 8 INX UNI 6592	4,00			--
0007	VTDD01695		NUT M 8 INX	2,00	06/2005		--
0008	MPVR05295		WHEEL PARACOLPI	4,00	04/2008		--
0008	MPVR02894		ROLLER PARACOLPI	4,00		04/2008	--
0009	LAFN04127		PIN RULLO PARACOLPI	2,00			--
0010	VTVT67560		SCREW TCEI M8X110 INOX AISI 304	2,00			--
0011	VTRS00245		WASHER D.6 UNI 6592 INOX	10,00			--
0012	VTDD00171		NUT M6 INOX	10,00			--
0013	LAFN05770		SHEET METAL PA.FISSA FLAP ANTERIORE	1,00			--
0014	LAFN05771		SHEET METAL PA.FISSA FLAP POST.GANCIO	1,00			--
0015	LAFN05772		SHEET METAL PA.FLAP POST PORTA GANCIO	1,00			--
0016	CHVR00050		CLOSURE A LEVA + GANCIO CLT 160	1,00	07/2004		--
0017	VTVT00722		SCREW	2,00	05/2005		--
0018	VTDD21115		NUT M 3 INOX	2,00	05/2005		--
0019	MPVR02830		BLADE SQUEEGEE ANTERIORE P185	1,00			--



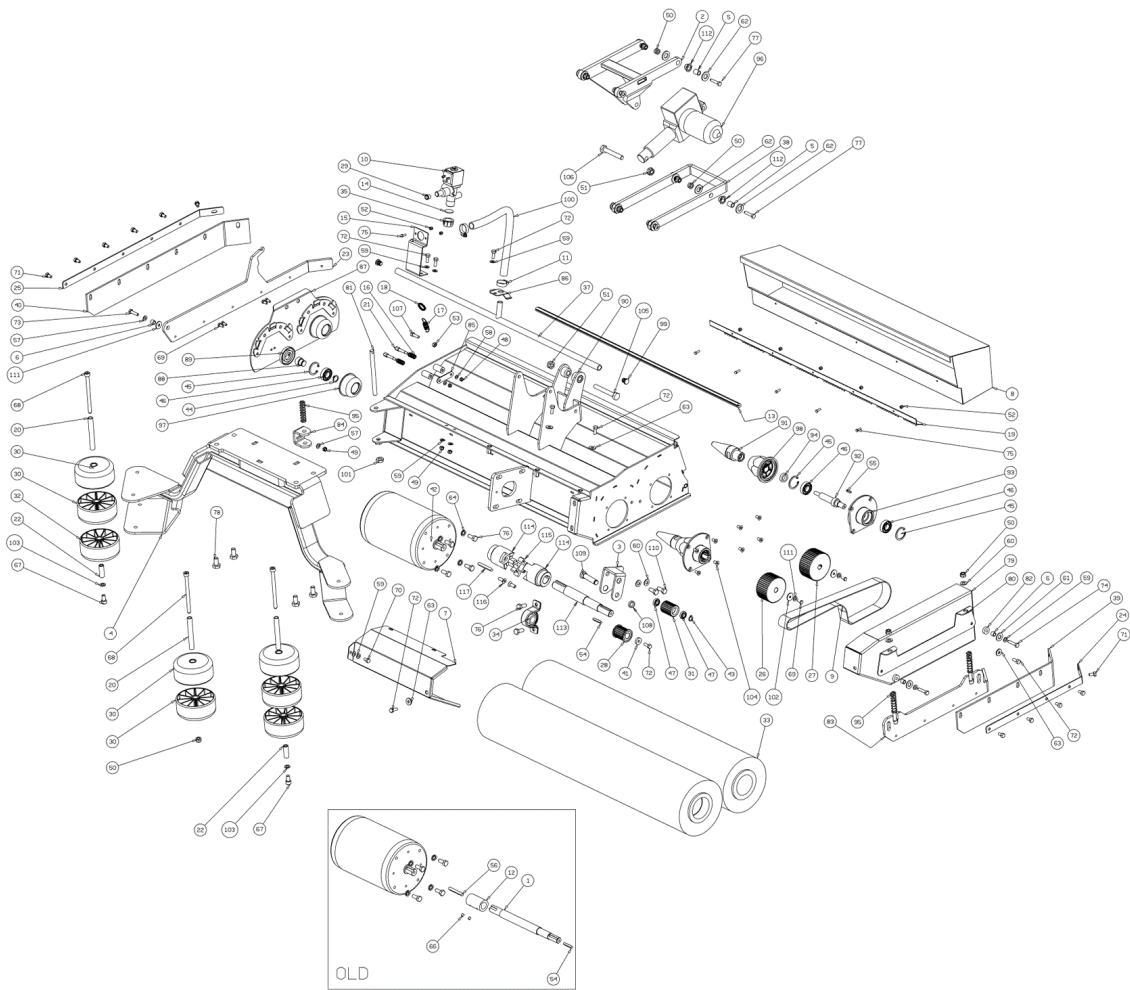
Ref.	K	Part N.	Customer Part N.	Description	Qty	Validity:		Price
						From	To	
0001		PMVR02010		ASSEMBLED CURVA ASP.	1,00			--
0003		SESD00020		SHEET METAL PA.CLEANTIME	1,00			--
0004		VTRS86634		WASHER 6X18X1,5 UNI6593	9,00			--
0005		VTVT00729		SCREW TCEI M. 6-35	6,00			--
0006		SESD00021		SEAT	1,00			--
0007		VTRS00502		WASHER D. 5 0.466 UNI 6592	4,00			--
0008		VTVT00306		SCREW TSPEI M5x12 UNI5933	4,00			--
0009		CEVR00060		HINGE PORTA SEDILE P185	2,00			--
0010		VTVT00752		SCREW TC+ M.4,8-19	3,00			--
0011		MELF00040		FLASHING LIGHT	1,00			--
0011		MEVR01672		LAMP -	1,00			--
0013		LAFN05829		PLATE FERMA TUBO ASPIRAZIONE	3,00			--
0014		VTVT15906		SCREW TE 6X 12 A2 UNI 5739	12,00			--
0015		VTRS00245		WASHER D.6 UNI 6592 INOX	14,00			--
0016		MPVR46988		CLIP LAV. SHK	1,00			--
0017		LAFN04171		SPACER ASPIRATORE P185	3,00			--
0018		MOC00252		MOTOR ASPIR. TRIS. 36V	1,00			--
0019		VTVT00888		SCREW TE M.6-100	3,00			--
0020		RCDS00024		CONNECTOR PORTAGOMMA 1"1/2	1,00			--
0021		FSVR44166		HOSE CLIP D.50	1,00			--
0022		PMVR01141		TUBE USCITA ARIA DA ASPIRATORE	1,00			--
0023		TBFX00280		TUBE ASPIRAZ. CPL P160	1,00			--
0024		MPVR04051		TANK CAP	1,00			--
0025		PMVR01052		GROUP TUBO TIGRATO	1,00			--
0025		TBBP00439		TUBE D.60	1,00	11/2007	11/2007	--
0025		TBBP00485		TUBE DRAIN PU CT160	1,00	09/2012	09/2012	--
0026		VTVT15143		SCREW TE 6X16 UNI5739	1,00			--
0027		MEVR00148		DASHBOARD SEDILE	1,00			--
0028		LAFN05830		NET FERMA FILTRO INOX	1,00			--
0029		FTDP00130		FILTER SERB. RECUPERO P185	1,00			--
0030		MPVR04100		CAP ASPIRAZIONE P185	1,00			--
0031		LAFN05805		CARRYNG BAG	1,00			--
0032		MECI00338		SENSOR DI LIVELLO ORIZZONTALE	1,00		05/2006	--
0032		MECI00400		SENSOR DI LIVELLO ORIZZONTALE	1,00	06/2006	01/2009	--
0032		MECI00516		SENSOR DI LIVELLO ORIZZONTALE	1,00	01/2009		--
0033		GUGO00263		GASKET CIRCOLARE TAPPO	1,00			--
0034		LAFN06824		SPACER L.14	1,00			--
0035		VTVT17342		SCREW TE M 6X 60 UNI 5739 INX	1,00			--
0036		GUGO31051		GASKET LAV.	1,00			--



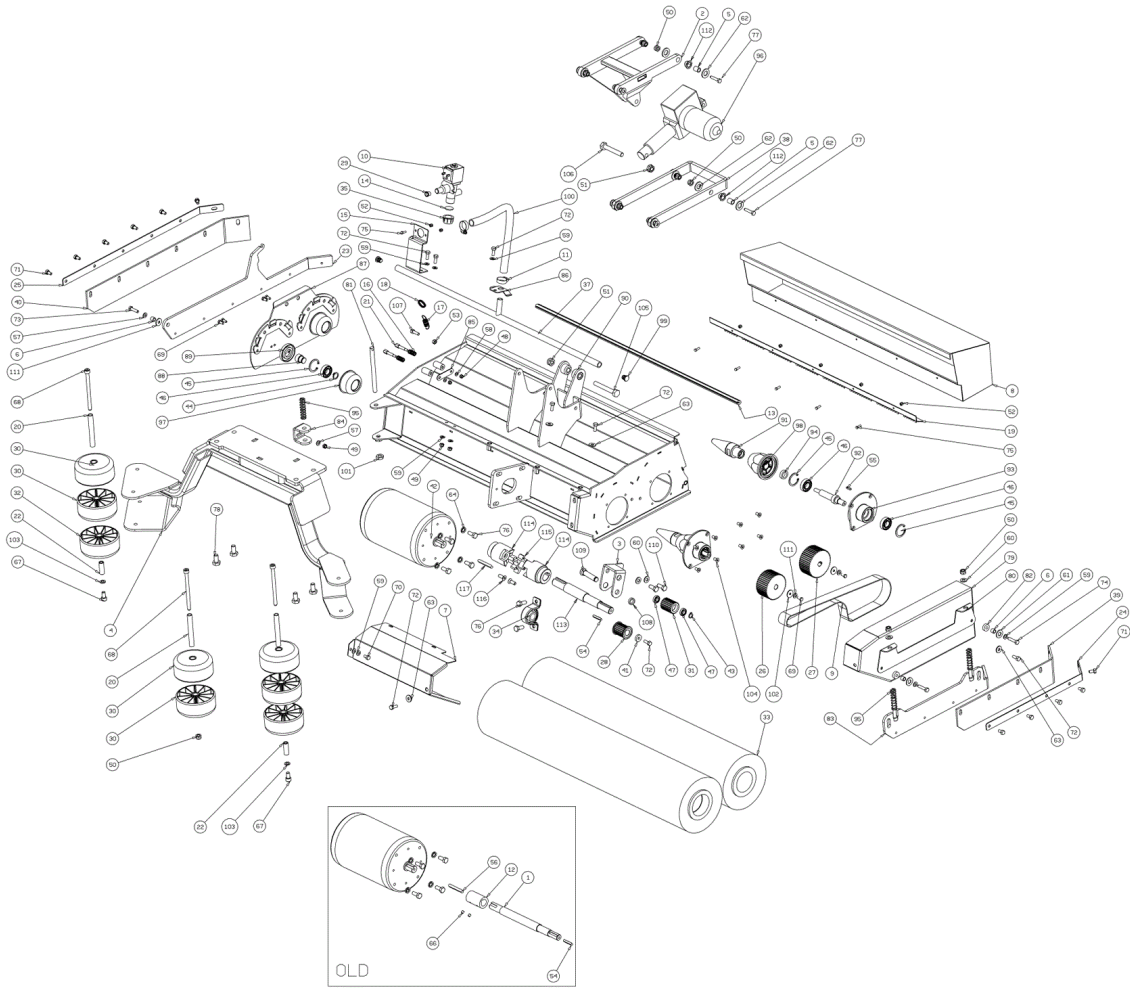
Ref.	K	Part N.	Customer Part N.	Description	Qty	Validity:		Price
						From	To	
0037		GUGO30649		GASKET LAV.DW.	1,00			--
0038		GUGO00306		GASKET TENUTA TAPPO	1,00			--
0039		KTRI01952		KIT -	1,00			--



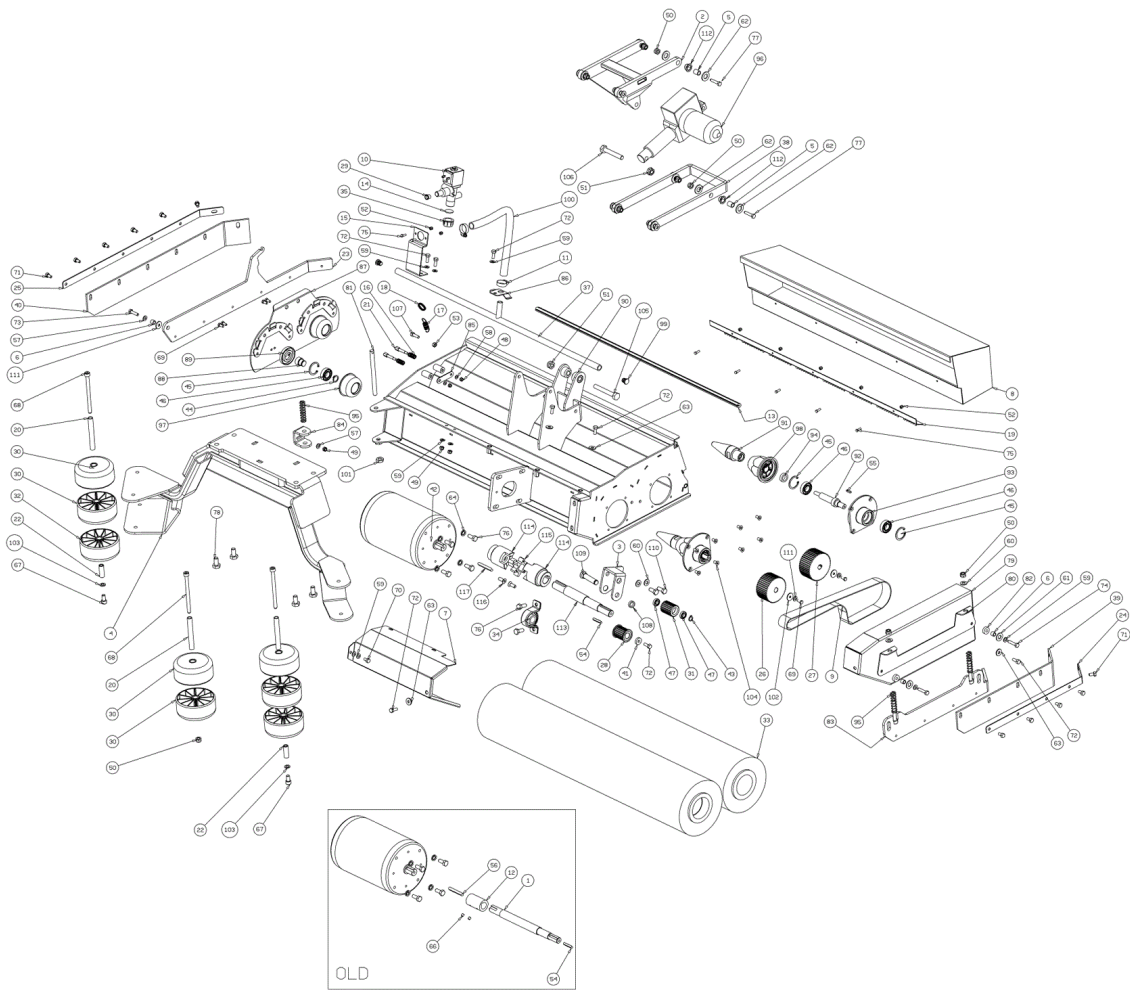
Ref.	K	Part N.	Customer Part N.	Description	Qty	Validity:		Price
						From	To	
0001		MICT00029		CARRYNG BAG	1,00			--
0002		MIVR00023		CARRYNG BAG	4,00			--
0003		MIVR00065		LATH PER BLOCC. RUOT. 450/530	2,00			--
0004		MIBA00013		CARRYNG BAG	1,00			--
0005		LAFN05876		BRACKET	2,00			--
0006		VTVT00770		SCREW TE AUTOF. 8X50	4,00			--



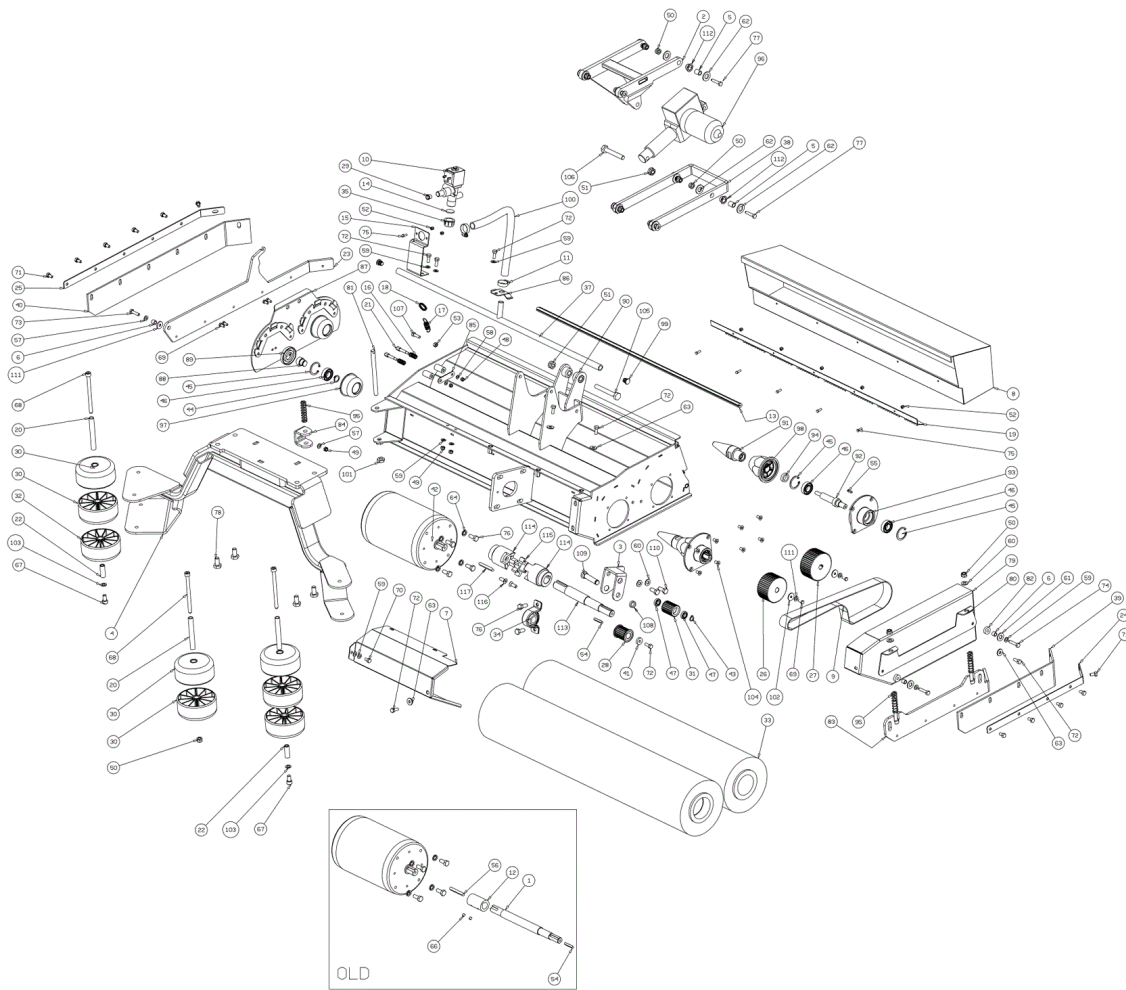
Ref.	K	Part N.	Customer Part N.	Description	Qty	Validity:		Price
						From	To	
0001		LAFN04178		SHAFT PROLUNGA MOTORE P185	1,00		09/2012	--
0002		LAFN05879		ASSEMBLED BRACCIO SUPP.PARALLEL.	1,00		10/2010	--
0002		LAFN08939		BRACKET -	1,00	10/2010		--
0003		LAFN06848		SUPPORT TENDICINGHIA	1,00			--
0004		LAFN05924		ASSEMBLED ROLL-BAR R750FL	1,00			--
0005		LAFN04151		BUSHING X PARALLELOGRAMMA	8,00		10/2010	--
0005		LAFN08907		SPACER 12-8	8,00	10/2010		--
0006		LAFN04184		BUSHING P185 ROLL.	3,00			--
0007		LAFN05891		CRANKCASE ALBERO MOTORE P185	1,00			--
0008		LAFN05886		DRAWER TESTATA A RULLI METALL.	1,00			--
0009		MTCG87404		BELT DENT.835 RPP5DD 32MM	1,00			--
0010		MEEV00021		SOLENOID VALVE RIF. D160SS10/K/20Z	1,00		10/2011	--
0010		MEEV00043		SOLENOID VALVE	1,00	10/2011		--
0011		FSVR00091		CLAMP 14-24	2,00			--
0012		LAFN04177		JOINT ALBERO MOTORE P185	1,00		09/2012	--
0013		MPVR04922		GASKET CASSETTO	1,00			--
0014		GUGO00268		GASKET D.21 SP.3 GOMMA	1,00		10/2011	--
0015		LAFN05835		BRACKET PORTAELETTROVALVOLA	1,00			--
0016		MLML00248		SPRING A COMPRESS. P185	2,00			--
0017		MLML00291		SPRING FLAP LATERALE DX TESTATA	1,00			--
0018		MLML00292		EYELET FLAP LAT. DX TESTATA	1,00			--
0019		LAFN05887		BULKWARD CASSETTO P185	1,00			--
0020		LAFN04127		PIN RULLO PARACOLPI	3,00			--
0021		LAFN04180		PIN CHIAVIST.PORTELLO P185	2,00			--
0022		LAFN06472		PIN RUOTA	2,00			--
0023		LAFN05881		PLATE PORTAFLAP DX TESTATA P185	1,00			--
0024		LAFN05882		PLATE FISSA FLAP SX TESTATA	1,00			--
0025		LAFN05883		PLATE FISSA FLAP DX	1,00			--
0026		MTPL00152		PULLEY RULLO SPAZZOLA ANTER.P185	1,00			--
0027		MTPL00153		PULLEY RULLO SPAZZOLA	1,00			--
0028		MTPL00154		PULLEY MOTORE TESTATA P185	1,00			--
0029		MPVR02897		REDUCTION D.10-6.5 PER ELETTROVALV.	1,00			--
0030		LAFN04040		BUSHING	6,00			--
0031		MTPL00193		ROLLER Z26	1,00			--
0032		RTRT00502		WHEEL ANTIRIBALTAMENTO	2,00		04/2008	--
0032		RTRT00510		WHEEL ANTIRIBALTAMENTO	2,00	04/2008		--
0033		SPPV00457		ROLLER PP.0,5 SPAZZ.RULLI CLT160	2,00			--
0034		CUVR00170		BALL BEARING SBPP 203	1,00			--
0035		RCVR00353		CAP 1/2"G X ELETTROV. ACL	1,00		10/2011	--



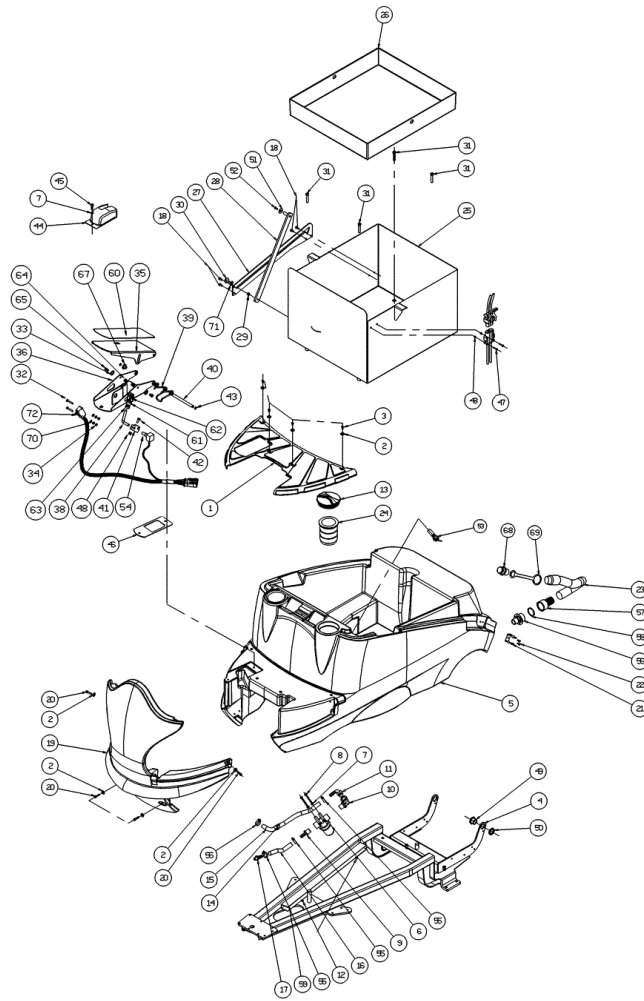
Ref.	K	Part N.	Customer Part N.	Description	Qty	Validity:		Price
						From	To	
0037		LAFN05885		TUBE DISTRIB. DETERGENTE P185	1,00			--
0038		LAFN05782		ARM SUP./INF	1,00		10/2010	--
0038		LAFN08912		ARM SUP./INF.	1,00	10/2010		--
0039		MPVR02846		FLAP LATERALE DX TESTATA	1,00			--
0040		MPVR02845		FLAP LATERALE SX TESTATA	1,00			--
0041		LAFN04179		WASHER FISSA PULEGGIA P185	1,00			--
0042		MEVR33562		CARBON 10X18X18 400W 12V	4,00			--
0042		MOCC00024		BAND CHIUSURA CARB.+CLIP X MOT	1,00			--
0042		MOCC00166		MOTOR TEST.ROLL.P185	1,00			--
0043		VTAE13511		CIRCLIP D. 10 UNI 7435	1,00			--
0044		VTAE17003		CIRCLIP D. 15 UNI 7435	2,00			--
0045		VTAE32478		CIRCLIP D. 32 UNI 7437	6,00			--
0046		CUVR00164		BEARING 6002RS -SKF-	6,00			--
0047		CUVR29964		BALL BEARING 6000-2RS1	2,00			--
0048		VTDD00017		NUT AUTOBLOK DIN 985 M5	2,00			--
0049		VTDD00010		NUT AUTOBLOK DIN 985 M6 BASSO	3,00			--
0050		VTDD01695		NUT M 8 INX	11,00			--
0051		VTDD10310		NUT AUTOBL.M10 INOX DIN 985	2,00			--
0052		VTDD00009		NUT AUTOBLOK DIN 985 M4 BASSO	7,00			--
0053		VTDD00053		NUT M6 INOX UNI5589	1,00			--
0054		VTVR13164		KEY 5X5X30	1,00			--
0055		VTVR62776		KEY M4X4X16 UNI 6604	2,00			--
0056		VTVR00301		KEY 6X6X50	1,00		09/2012	--
0057		VTRS00503		WASHER D. 6 TE UNI 6798	2,00			--
0058		VTRS00240		CARRYNG BAG	2,00			--
0059		VTRS00503		WASHER D. 6 TE UNI 6798	8,00			--
0060		VTRS13947		WASHER D. 8 INX UNI 6592	20,00			--
0061		VTRS15523		WASHER D.10 X21 INOX UNI 6592	2,00			--
0062		VTRS00376		WASHER 15x21	4,00	10/2010		--
0062		VTRS15978		WASHER D.12X24 UNI 6592 INX	12,00		10/2010	--
0063		VTRS13945		WASHER D. 6X18 INX UNI 6593	4,00			--
0064		VTRS00269		WASHER D. 8 DIN 6798-A INX A2	4,00			--
0066		VTVT01301		GRUB SCREW M 6 X 6 UNI 5929	2,00		09/2012	--
0067		VTVT00876		SCREW TCEI M.8-16	2,00			--
0068		VTVT67560		SCREW TCEI M8X110 INOX AISI 304	3,00			--
0069		VTVT01300		SCREW TE M5X12 INOX	6,00			--
0070		VTVT01303		SCREW TE M6-10 INOX	1,00			--
0071		VTVT15906		SCREW TE 6X 12 A2 UNI 5739	11,00			--
0072		VTVT15143		SCREW TE 6X16 UNI5739	8,00			--



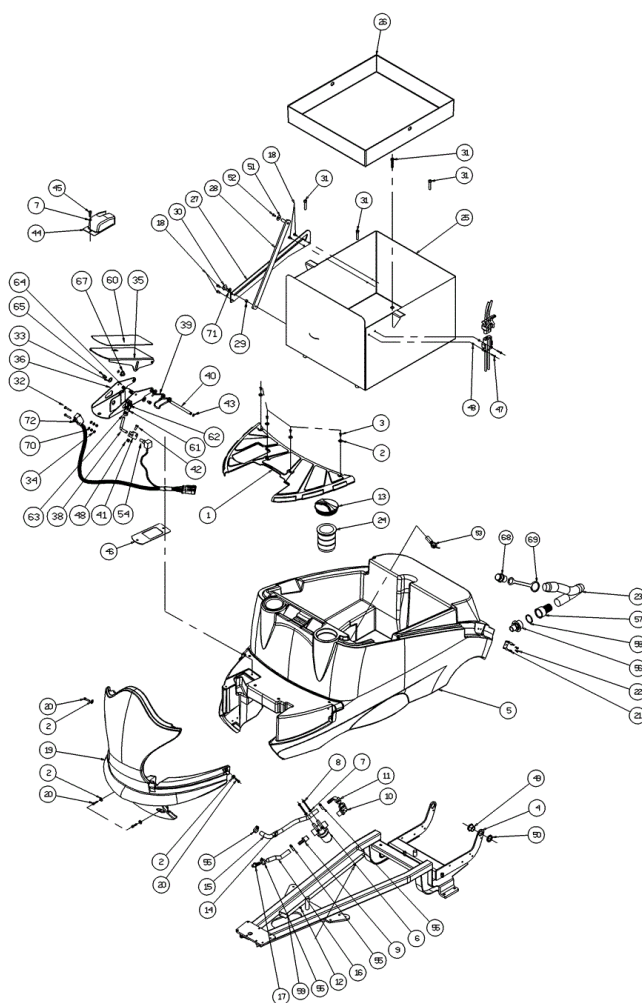
Ref.	K	Part N.	Customer Part N.	Description	Qty	Validity:		Price
						From	To	
0073		VTVT15141		SCREW TE M 6X 25 UNI 5739 INX	1,00			--
0074		VTVT00433		SCREW TE M 6X 30 UNI 5739 INX	2,00			--
0075		VTVT00817		SCREW TE M4x12 UNI 5739 INOX	7,00			--
0076		VTVT13938		SCREW TE 8X20 UNI5739 INX	8,00			--
0077		VTVT00410		SCREW TE M8x35 UNI5739 INOX	8,00			--
0078		VTVT13936		SCREW TE M 10X 20	4,00			--
0079		LAFN06393		CRANKCASE TRASMISSIONE P185	1,00			--
0080		LAFN06394		PLATE REAZIONE FLAP SX	1,00			--
0081		LAFN06395		PIN REGISTRO FLAP DX	1,00			--
0082		LAFN06396		SPACER FLAP SX	2,00			--
0083		LAFN06397		DOOR FLAP SX COMPLETO	1,00			--
0084		LAFN07033		BRACKET FLAP DX	1,00			--
0085		LAFN07034		SHEET METAL PA.SGANCIO PORTELLO	1,00			--
0086		LAFN07035		BRACKET FERMATUBO DETERGENTE	1,00			--
0087		LAFN09020		DOOR	1,00			--
0088		LAFN09021		PIN SOSTEGNO SPAZZOLA P185	2,00			--
0089		LAFN09022		FLANGE	2,00			--
0090		LAFN09023		FRAME ROLLER BRUSH	1,00			--
0091		LAFN10125		SHAFT INSERIMENTO SPAZZOLE	2,00			--
0092		LAFN10126		SHAFT	2,00			--
0093		LAFN10127		PLATE	2,00			--
0094		LAFN10128		SPACER	2,00			--
0095		MLML00302		SPRING REGISTRAZIONE FLAP	3,00			--
0096		MOCC00231		CARRYNG BAG	1,00		05/2006	--
0096		MOCC00304		ATUATOR TEST.AO1-C 36V	1,00	06/2006		--
0097		MPVR04720		ROLLER	2,00			--
0098		MPVR05137		HUB TRASCINATORE SPAZZ. CENT.	2,00			--
0099		MPVR05163		TIE ROD FISSA FILTRO	2,00			--
0100		TBFX48011		TUBE FLEX D.12X3 ARMORV.PVC TR	1,00			--
0101		VTDD00008		NUT M10 UNI 5589 ZB	1,00			--
0102		VTRS00016		WASHER UNI 6593 5X20X1,5 ZB	2,00			--
0103		VTRS13947		WASHER D. 8 INX UNI 6592	2,00			--
0104		VTVT00678		SCREW	8,00			--
0105		VTVT01000		SCREW TE M 10-75 INOX UNI 5737	1,00			--
0106		VTVT01002		SCREW TE M10X65 INOX	1,00		03/2007	--
0106		VTVT01367		SCREW TE M.10-55 INOX UNI 5737	1,00	03/2007		--
0107		VTVT06237		SCREW TCEI 6X20 UNI5931	1,00			--
0108		LAFN06846		SPACER	1,00			--
0109		LAFN06847		PIN TENDICINGHIA	1,00			--



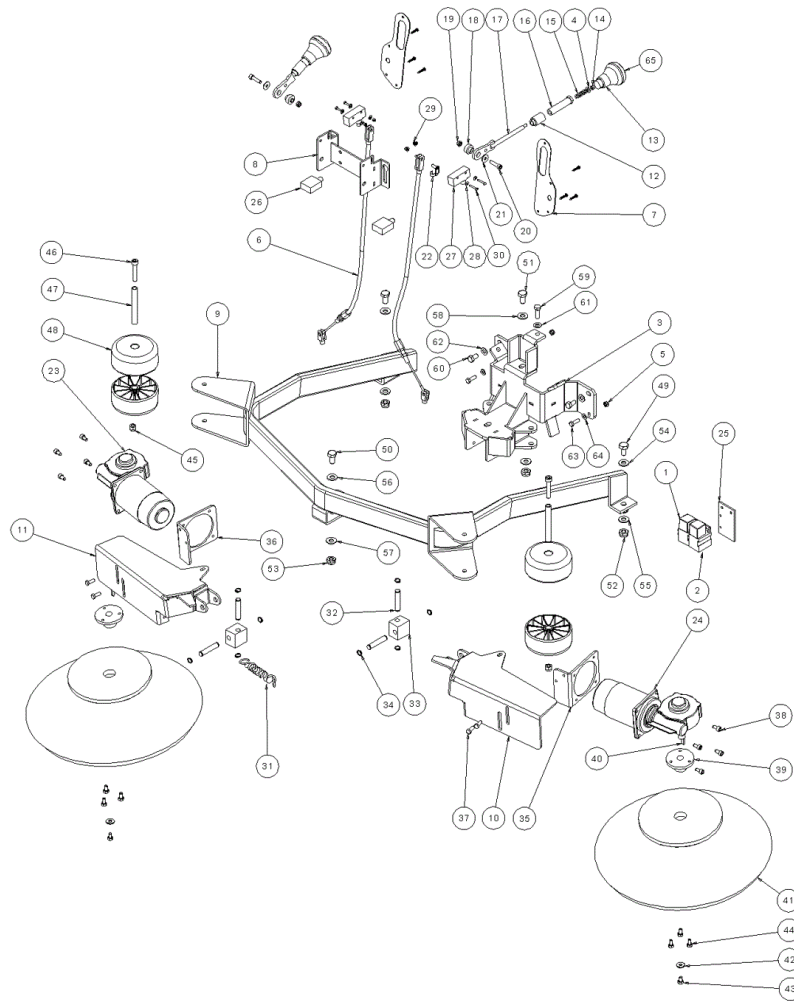
Ref. K	Part N.	Customer Part N.	Description	Qty	Validity:		Price
					From	To	
0110	VTVT00876		SCREW TCEI M.8-16	2,00			--
0111	VTRS15908		WASHER D. 5 INX GRW UNI 1751	2,00	05/2009		--
0112	CUVR00130		BEARING STRISCIAMENTO	8,00	10/2010		--
0113	LAFN09175		SHAFT -	1,00	09/2012		--
0114	FGGT00035		JOINT -	2,00	09/2012		--
0115	GUVR75740		RING	1,00	09/2012		--
0116	VTVT00832		SCREW TSPEI M6X16 INOX	2,00	09/2012		--
0117	VTVR16617		KEY 6X 6X30 UNI 6604	2,00	09/2012		--



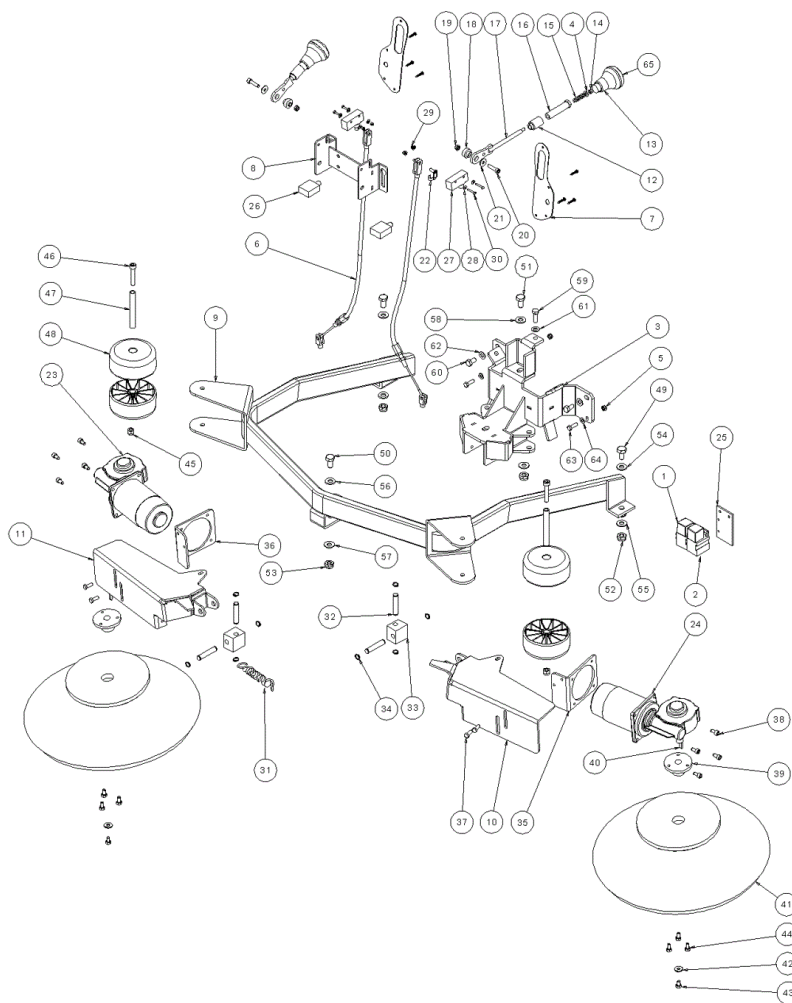
Ref.	K	Part N.	Customer Part N.	Description	Qty	Validity:		Price
						From	To	
0001		MPVR03002		PLANE CLEANTIME	1,00			--
0002		VTRS13945		WASHER D. 6X18 INX UNI 6593	8,00			--
0003		VTVT00093		SCREW TBCE ISO 7380 6X12 ZB	4,00			--
0006		FTAC00038		FILTER G1/2 INOX	1,00			--
0007		VTRS00503		WASHER D. 6 TE UNI 6798	2,00			--
0008		VTVT00699		SCREW TE M. 6-70	2,00			--
0009		RCVR00540		CONNECTOR	1,00			--
0010		RCVR00541		CURVED CONNECT.M/F G1/2 COD.126-2022	1,00			--
0011		RCVR00542		CURVED CONNECT.M G1/2 PORTAG. 113-2213	1,00			--
0012		VTVT85145		SCREW TCB T-CROCE 4,2X9,5 INOX	2,00			--
0013		MPVR04075		CAP PICCOLO "PONY"	1,00			--
0014		FSVR00107		CLAMP KSS CABLE CLAMP	1,00			--
0015		TBBP00319		TUBE L=350	1,00			--
0016		TBBP00369		TUBE ARMONVIN 12X3 L=280 MM	1,00			--
0017		RCVR00547		CONNECTOR PORTAG. DIRIT	1,00			--
0018		VTVT15906		SCREW TE 6X 12 A2 UNI 5739	5,00			--
0020		VTVT15966		SCREW TCEI M 6X25	4,00			--
0021		MPVR46988		CLIP LAV. SHK	1,00			--
0022		VTVT01300		SCREW TE M5X12 INOX	2,00			--
0023		TBFX00208		TUBE DI SCARICO	1,00		09/2013	--
0023		TBFX00360		TUBE PU CT100	1,00	09/2013		--
0024		FTAC48857		FILTER ASP. ACQUA SERB. LAVAP.	1,00			--
0026		MPVR04127		PLATE CONTENITORE BATTERIE P185	1,00			--
0027		LAFN05807		GUIDE PER ASTA SERBATOIO P185	1,00			--
0028		LAFN05803		ASSEMBLED ASTA SERBATOIO P185	1,00			--
0029		LAFN04148		BUSHING ASTA SERBATOIO P185	1,00			--
0030		LAFN04147		SCREW ASTA SERBATOIO P185	1,00		11/2010	--
0030		VTVT15916		SCREW TE M 8X 16 UNI 5739 A2	1,00	11/2010		--
0031		VTVT00889		SCREW TCEI M. 8-45	4,00			--
0032		VTVT01350		SCREW M3-20 INOX	2,00			--
0033		MPVR05528		WASHER -	2,00			--
0034		VTDD21115		NUT M 3 INOX	4,00			--
0035		LAFN06474		SHEET METAL PA.PEDALE	1,00			--
0036		LAFN07532		BUSHING -	1,00			--
0038		LAFN00909		BRACKET BIELLETTA PEDALE	1,00			--
0039		MLML00034		SPRING PEDALE AVANZAMENTO G1050	1,00			--
0040		LAFN00524		PIN PEDALE TK 1050	1,00			--
0041		LAFN01149		CONNECTING ROD PEDALE AVANZAMENTO G1050	1,00			--
0042		VTVT00727		SCREW TE M. 4-20	2,00			--



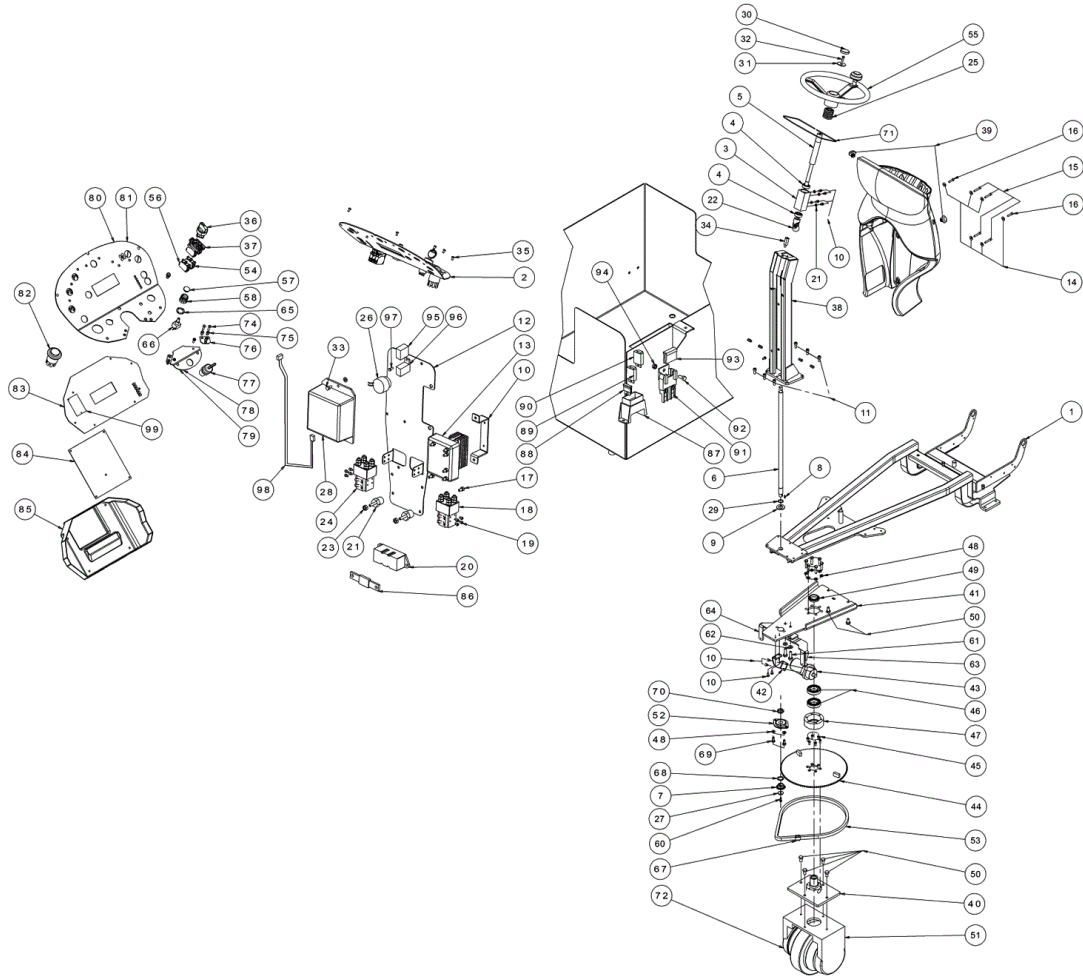
Ref.	K	Part N.	Customer Part N.	Description	Qty	Validity:		Price
						From	To	
0043		VTAE48552		CIRCLIP D. 6 UNI 7435	2,00			--
0044		MPVR00302		CRANKCASE PEDALE AVANZAMENTO	1,00			--
0045		VTVT15143		SCREW TE 6X16 UNI5739	1,00			--
0046		LAFN05802		FLANGE PEDALE ACCELERATORE P185	1,00			--
0047		VTVT22203		SCREW TCB-TC 4X25 UNI7687	2,00			--
0048		VTDD04369		NUT M 4 TEF UNI 7473	1,00			--
0049		LAFN51079		ECCENTRIC SERB.RECUP.P185	1,00			--
0050		LAFN51080		RING NUT ECCENTR.SERB.RECUP.P185	1,00			--
0051		VTRS13946		WASHER D. 8 X24 INX UNI 6593	1,00			--
0052		VTVT00832		SCREW TSPEI M6X16 INOX	1,00			--
0053		MECI00516		SENSOR DI LIVELLO ORIZZONTALE	1,00			--
0054		MECB00995		WIRING PEDALE ACCEL.P160	1,00		12/2010	--
0054		MECB01227		WIRING ACCELERATOR	1,00	01/2011		--
0055		FSVR00091		CLAMP 14-24	4,00			--
0056		RCVR00713		REDUCTION MASCHIO/MASCHIO	1,00			--
0057		RCVR00712		CONNECTOR PORTAGOMMA	1,00			--
0058		GUGO00290		GASKET OR (G10052)	1,00			--
0059		MEVR01431		GUIDE PVC GRIGIO 25 X 40	1,00			--
0060		MPVR00866		PLANE ANTISDRUCCIOLO G1050	1,00			--
0061		CMCV76639		FORK M 6 UNI 1676	1,00			--
0062		CMCV75717		CLIP UNI 1676 M6	1,00			--
0063		VTDD00482		NUT M 6 ZIN UNI 5588	1,00			--
0064		VTDD04369		NUT M 4 TEF UNI 7473	2,00			--
0065		VTVT00089		SCREW TCCE UNI 5931 4X10 ZB	2,00			--
0066		MPVR04744		MOUSSE 440X30X20	1,00			--
0067		CUVR00183		BUSHING -	2,00			--
0068		MPVR05064		CAP COMPLETO	1,00			--
0069		MPVR49412		CLAMP SHK	1,00			--
0070		VTRS00117		WASHER 3.2X7 UNI6592	2,00			--
0071		VTRS13947		WASHER D. 8 INX UNI 6592	1,00	11/2010		--
0072		MECB01228		WIRING -	1,00	01/2011		--



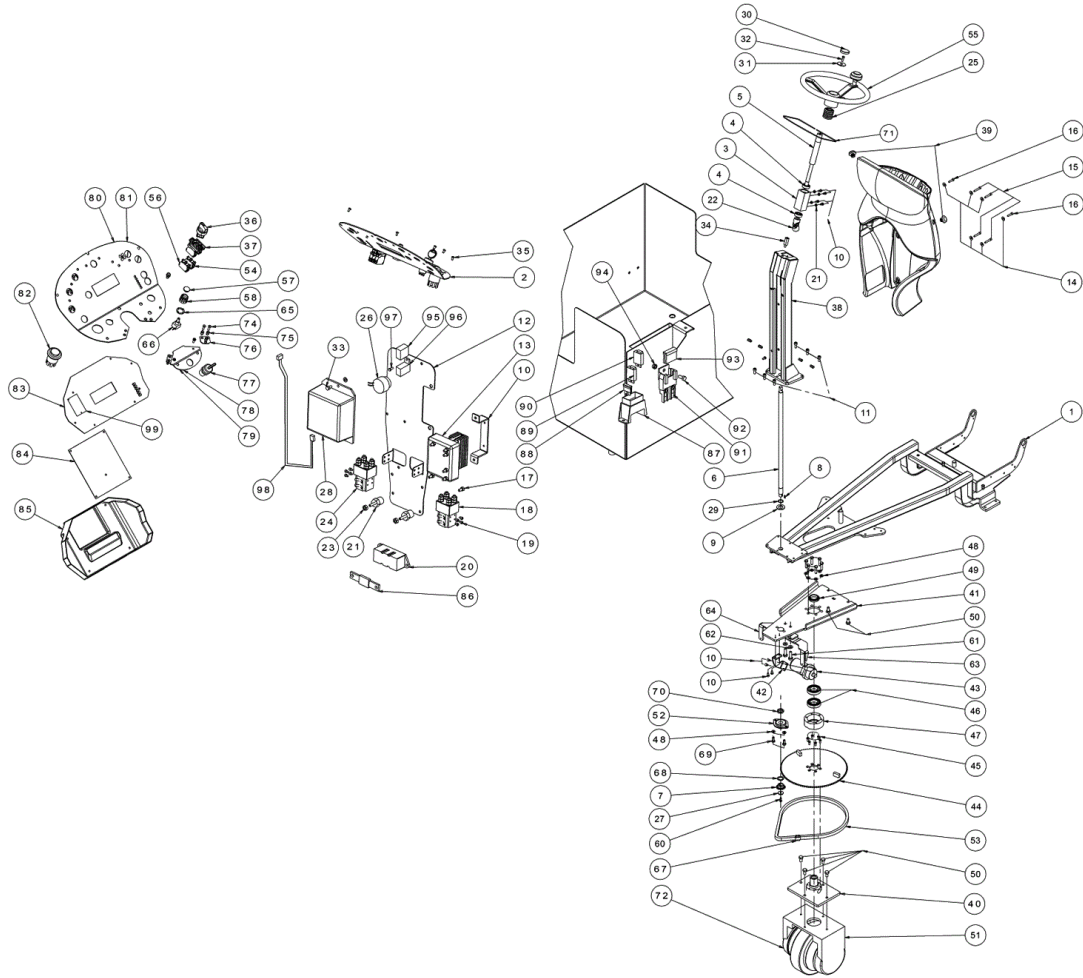
Ref. K	Part N.	Customer Part N.	Description	Qty	Validity:		Price
					From	To	
0003	LAFN07594		SUPPORT -	1,00			--
0004	VTRS00502		WASHER D. 5 0.466 UNI 6592	2,00			--
0005	VTDD01694		NUT M6 INOX	2,00			--
0006	CMCV00359		CABLE CT160	2,00			--
0007	LAFN07599		COVER -	2,00			--
0008	LAFN07597		BRACKET -	1,00			--
0009	LAFN07598		PROTECTION -	1,00			--
0010	LAFN07596		BRACKET -	1,00			--
0011	LAFN07595		BRACKET -	1,00			--
0012	LAFN07612		BUSHING -	2,00			--
0013	MPVR00868		KNOB ALZASPAZZOLA LAT.G1050	2,00			--
0014	VTDD00040		NUT M5 UNI7474	2,00			--
0015	MLML00027		SPRING POMOLO SPAZZ.CENTRALE	2,00			--
0016	LAFN00523		DOOR MOLLA ALZA SPAZZOLA	2,00			--
0017	LAFN00803		ARM ALZASPAZZOLA LATER.1050	2,00			--
0018	LAFN00153		BUSHING LEVA ALZA SPAZ.LAT.ZINC.	2,00			--
0019	VTDD19688		NUT M6 UNI 7473	2,00			--
0020	VTVT12255		SCREW TCEI 6X25 UNI5931	2,00			--
0021	VTRS04026		WASHER D. 6X18X2.38	2,00			--
0022	CMCV00009		CLIP UNI 1676	2,00			--
0023	MOCC00366		MOTOR -	1,00			--
0024	MOCC00367		MOTOR -	1,00			--
0025	LAFN07613		PLATE -	1,00			--
0026	METT00040		CARRYNG BAG	2,00			--
0027	MECI75801		MICROSWITCH TK	2,00			--
0028	VTRS15959		WASHER D. 4X12 UNI 6593	4,00			--
0029	VTDD00001		NUT UNI 5588 M3 ZB	2,00			--
0030	VTVT00021		SCREW TE UNI 5739 3X25 ZB	2,00			--
0031	MLML45102		SPRING TR	2,00			--
0032	LAFN01148		PIN SPAZZOLE LATERALI	4,00			--
0033	LAFN00154		BLOCK BRACCI SPAZ.LAT.TK1050	2,00			--
0034	VTAE87276		SEEGER EXT. D10 DIN471	8,00			--
0035	LAFN00809		PLATE PORTASPAZZ.LAT.SX TK1050	1,00			--
0036	LAFN00808		PLATE PORTASPAZZ.LAT.DX TK1050	1,00			--
0037	VTVT00527		SCREW TE FR 6X10 ZB ZIG.	4,00			--
0038	VTVT09913		SCREW TCEI 6X16 UNI5931	8,00			--
0039	LAFN45010		FLANGE L.1400 LT.	2,00			--
0040	VTVR13165		KEY 5X5X20	2,00			--
0041	SPPV75790		SIDE-BRUSH D.400 PPL BK. D.0.7	2,00			--



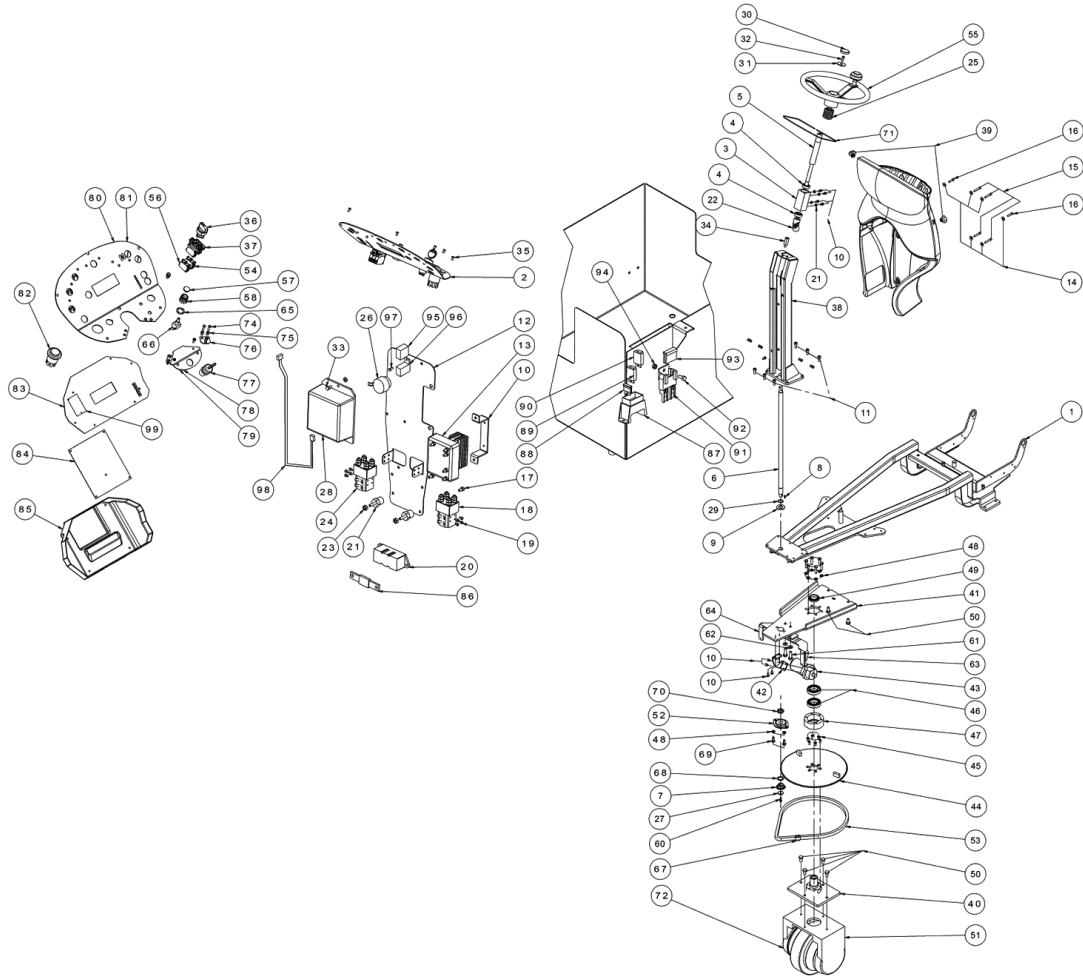
Ref.	K	Part N.	Customer Part N.	Description	Qty	Validity:		Price
						From	To	
0042		VTRS63242		WASHER D. 6 X24 ZC	2,00			--
0043		VTVT00527		SCREW TE FR 6X10 ZB ZIG.	2,00			--
0044		VTVT62920		SCREW TE F/ROND. M 6X 16 ZB	6,00			--
0045		VTDD01695		NUT M 8 INX	2,00			--
0046		VTVT67560		SCREW TCEI M8X110 INOX AISI 304	2,00			--
0047		LAFN04127		PIN RULLO PARACOLPI	2,00			--
0048		RTRT00510		WHEEL ANTIRIBALTAMENTO	4,00			--
0049		VTVT01541		SCREW TE M 10x30 INOX UNI5739	1,00			--
0050		VTVT01541		SCREW TE M 10x30 INOX UNI5739	1,00			--
0051		VTVT01541		SCREW TE M 10x30 INOX UNI5739	1,00			--
0052		VTDD00042		NUT AUT.M10 UNI7474	1,00			--
0053		VTDD00042		NUT AUT.M10 UNI7474	1,00			--
0054		VTRS15523		WASHER D.10 X21 INOX UNI 6592	1,00			--
0055		VTRS15523		WASHER D.10 X21 INOX UNI 6592	1,00			--
0056		VTRS15523		WASHER D.10 X21 INOX UNI 6592	1,00			--
0057		VTRS15523		WASHER D.10 X21 INOX UNI 6592	1,00			--
0058		VTRS15523		WASHER D.10 X21 INOX UNI 6592	1,00			--
0059		VTVT15907		SCREW TE 8X25 UNI5739 INX	1,00			--
0060		VTVT15907		SCREW TE 8X25 UNI5739 INX	1,00			--
0061		VTRS13947		WASHER D. 8 INX UNI 6592	1,00			--
0062		VTRS13947		WASHER D. 8 INX UNI 6592	1,00			--
0063		VTVT13939		SCREW TE 6X20 UNI5739 INX	2,00			--
0064		VTRS07728		WASHER D. 6 INX	2,00			--
0065		MPVR00879		KNOB ALZASPAZZOLA LAT.G1050	2,00			--



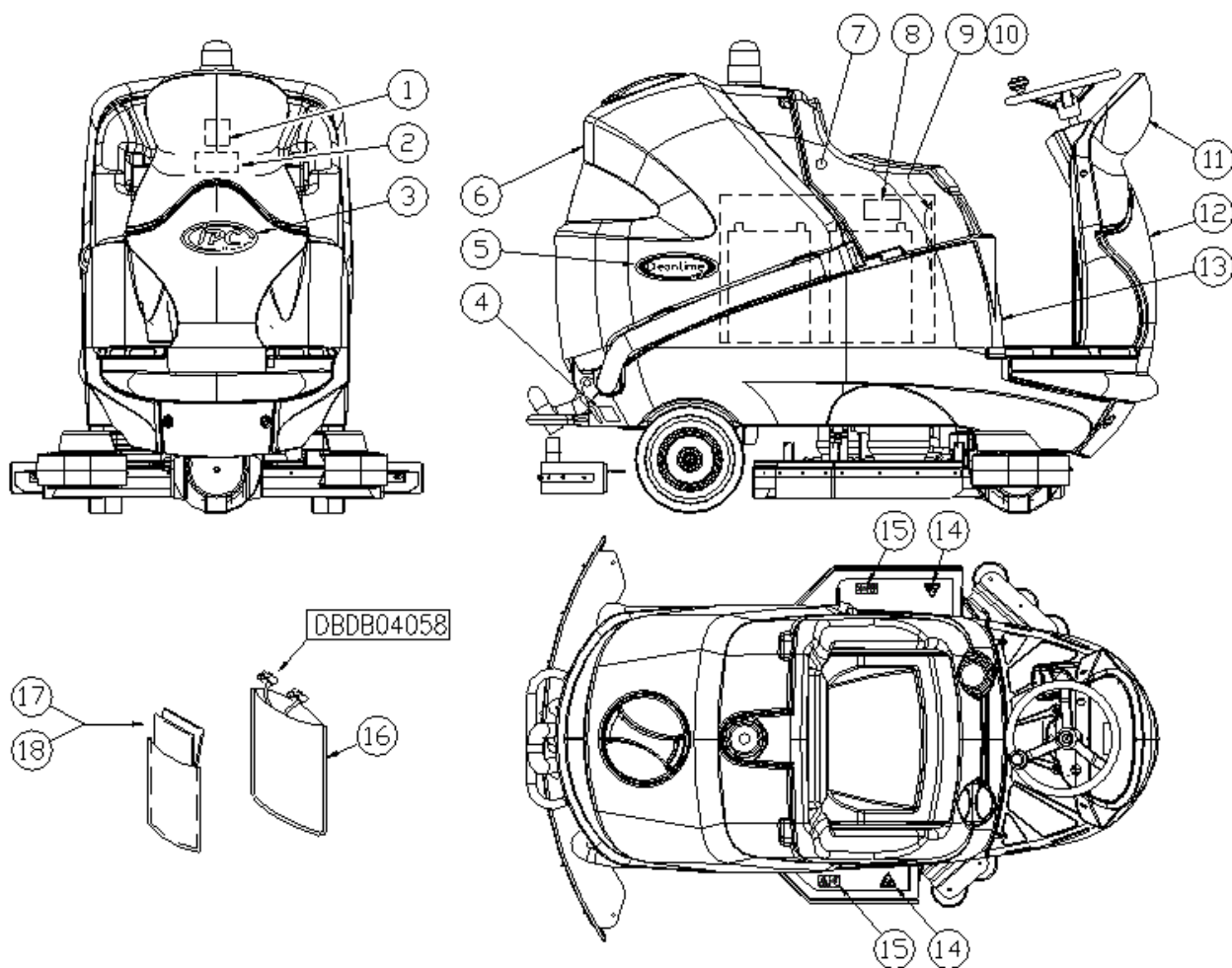
Ref.	K	Part N.	Customer Part N.	Description	Qty	Validity:		Price
						From	To	
0001		LAFN05790		FRAME COMPLETO CLT160	1,00			--
0002		MECE00522		BOARD CT230	1,00			--
0003		LAFN04133		HUB ALBERO STERZO	1,00			--
0004		CUVR17004		BALL BEARING 6202-2RS1	2,00			--
0005		LAFN04076		SHAFT STERZO SUPERIORE P185	1,00			--
0006		LAFN04131		SHAFT STERZO NUOVO	1,00			--
0007		MTCR00070		PINION ALBERO STERZO P185	1,00			--
0008		VTVR00229		KEY 5X5X12	1,00			--
0009		VTRS00019		WASHER UNI 6592 FORO 20 INOX	1,00			--
0010		LAFN08877		SUPPORT -	1,00			--
0011		VTVT01351		SCREW M8-20 INOX A2 -70	6,00			--
0012		LAFN08876		SUPPORT -	1,00			--
0013		MECE00526		BOARD POWER SERVICE CT160-CT230	1,00			--
0014		VTRS00245		WASHER D.6 UNI 6592 INOX	6,00			--
0015		VTVT15912		SCREW TCEI M 6X35 UNI 5931 INX	4,00			--
0016		VTVT15966		SCREW TCEI M 6X25	2,00			--
0017		VTVT15906		SCREW TE 6X 12 A2 UNI 5739	2,00			--
0018		METT00086		CONTACTOR 100A	1,00			--
0019		VTVT00881		SCREW TC+ M4x6 TRILOBATA INOX	8,00			--
0020		MEVR00146		FUSE-HOLDER MEGA	1,00			--
0021		MEVR47082		INSULATOR M6 35-CH32	2,00			--
0022		VTVR00057		ARTICULATION CARDANICO	1,00			--
0024		METT00086		CONTACTOR 100A	1,00			--
0025		MPVR51068		PROTECTOR STERZO CLT 160	1,00			--
0026		MEVR01436		BUZZER -	1,00			--
0027		LAFN04134		WASHER PIGNONE STERZO	1,00			--
0028		MECE00525		BOARD TRACTION CURTIS 36V 160A	1,00			--
0029		VTAE00050		RING D'ARRESTO ALBERO	1,00			--
0030		MPVR47026		BLACK CAP L.14	1,00			--
0031		VTRS44254		WASHER D.10 X40X2.5 UNI6593	1,00			--
0032		VTVT01550		SCREW TCCE UNI 5931 6X50 ZB	1,00			--
0033		VTVT07725		SCREW TE 5X16 UNI5739 INX	3,00			--
0034		LAFN51017		SPACER CRUSC.	1,00			--
0035		VTVT00881		SCREW TC+ M4x6 TRILOBATA INOX	4,00			--
0036		MEVR02011		SELECTOR -	1,00			--
0037		MEVR02038		SUPPORT -	1,00			--
0038		LAFN05787		ASSEMBLED PIANTONE	1,00			--
0039		MPVR04658		CAP PER TUBO D.20 CLT160	2,00			--
0040		LAFN05765		ASSEMBLED RALLA STERZO	1,00			--



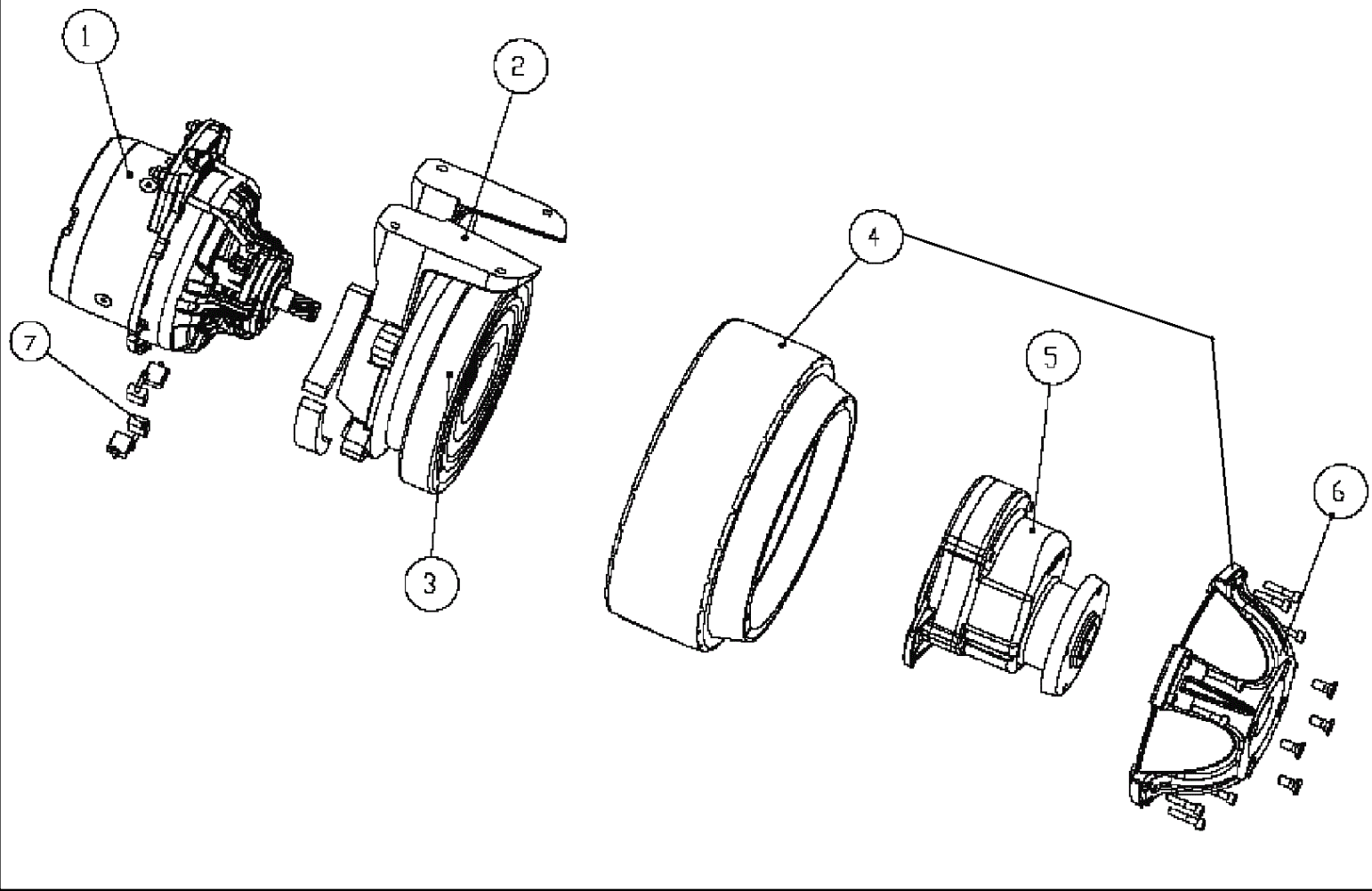
Ref.	K	Part N.	Customer Part N.	Description	Qty	Validity:		Price
						From	To	
0041		LAFN05763		ASSEMBLED PIASTRA STERZO	1,00			--
0042		LAFN05795		BRACKET PORTAPOMPA	1,00			--
0043		PPEL00025		PUMP EST. 36V	1,00			--
0044		LAFN05764		ASSEMBLED CORONA STERZO	1,00			--
0045		VTVT00832		SCREW TSPEI M6X16 INOX	6,00			--
0046		CUVR00120		BEARING 6007-2RS1	2,00			--
0047		LAFN04117		BUSHING PORTACISCINETTI	1,00			--
0048		VTRS13947		WASHER D. 8 INX UNI 6592	2,00			--
0049		VTVR75747		RING NUT AUTOBLOK M 35 X 1,5 GUK	1,00			--
0050		VTVT13936		SCREW TE M 10X 20	6,00			--
0051		MEVR01746		CARBON X MOT.COD.MOCC00374	4,00			--
0051		MOCC00384		DRIVE ASSEMBLY -	1,00			--
0051		MOCC00398		MOTOR MP100	1,00			--
0051		RDGR00039		REDUCTION UNIT -	1,00			--
0051		RTRT00533		RING MOTORWHEEL	1,00			--
0052		CUVR00105		SUPPORT	1,00			--
0053		MTCR00085		CHAIN 3/8"	1,00			--
0054		MEVR02039		CONTACT	2,00			--
0055		MPVR47027		STEERING WHEEL D. 320 L.14	1,00			--
0056		MEVR02012		CONTACT -	2,00			--
0057		MEVR01573		SMALL KNOB 2200 V6	1,00			--
0058		MEVR01575		CAP 2202	1,00			--
0060		VTVT00717		SCREW TCEI M. 6-16	1,00			--
0061		VTVT00715		SCREW TE M.10-35	2,00			--
0062		VTRS15523		WASHER D.10 X21 INOX UNI 6592	2,00			--
0063		LAFN06487		BRACKET FISSA CARENE DP	1,00			--
0064		LAFN06486		BRACKET FISSA CARENE DP	1,00			--
0065		MEVR01574		RING NUT 2204	1,00			--
0066		MEVR01941		POTENTIOMETER 100K	1,00			--
0067		MTCR47037		WARP KNITTING 3/8	1,00			--
0068		LAFN07030		SPACER -	1,00			--
0069		VTVT15916		SCREW TE M 8X 16 UNI 5739 A2	2,00			--
0070		LAFN07029		SPACER -	1,00			--
0071		GUGO00415		GASKET PANNELLO COMANDI CT160	1,00			--
0072		RTRT00533		RING MOTORWHEEL	1,00			--
0073		MPVR47040		KNOB L.14	1,00			--
0074		VTVT16939		SCREW M 4X 16 TSPEI UNI 5933	4,00			--
0075		VTVR00306		INSERT FILETTATO ESAGONALE M5	6,00			--
0076		LAFN08870		BRACKET -	1,00			--



Ref.	K	Part N.	Customer Part N.	Description	Qty	Validity:		Price
						From	To	
0077		MECI75805		SWITCH TK	1,00			--
0078		LAFN08869		SUPPORT -	1,00			--
0079		ETET01664		LABEL -	1,00			--
0080		ETET01663		LABEL -	1,00			--
0081		LAFN08851		SUPPORT -	1,00			--
0082		MECI00028		BUTTON DI EMERGENZA TK1400 24V	1,00			--
0083		MECE00531		BOARD DISPLAY CT160-CT230	1,00			--
0084		MECE00532		BOARD LOGIC CT160-CT230 CURTIS	1,00			--
0085		MPVR05840		COVER -	1,00			--
0086		MEVR00145		FUSE 100A	1,00			--
0087		MEVR00030		FUSE-HOLDER 4 VIE COPERCHIO TRAS.	1,00	10/2011		--
0088		MEVR00584		FUSE 3A	1,00	10/2011		--
0089		MEVR01559		FUSE RESETTABLE 4A -ETA-	1,00	10/2011		--
0090		MEVR01559		FUSE RESETTABLE 4A -ETA-	1,00	10/2011		--
0091		MEVR00613		FUSE CARRIER MAXIVAL with cover	1,00	10/2011		--
0092		VTVT01300		SCREW TE M5X12 INOX	1,00	10/2011		--
0093		MEVR00644		FUSE MAXIVAL 30A	1,00	10/2011		--
0094		VTDD01693		NUT M 5 INX	1,00	10/2011		--
0095		MECE00456		RELAY CT110	1,00	10/2011		--
0097		VTVT07725		SCREW TE 5X16 UNI5739 INX	1,00	10/2011		--
0098		MECB01319		WIRING CURTIS	1,00	11/2012		--
0099		MECE00533		BOARD -	1,00	01/2013		--



Ref.	K	Part N.	Customer Part N.	Description	Qty	Validity:		Price
						From	To	
0001		ETET00895		ADHESIVE SIMBOLO LEGGERE IL MANUAL	1,00			--
0002		ETET00730		LABEL BATTERIE SCOLLEGATE	1,00			--
0003		ETET01637		LABEL -	1,00			--
0004		ETET00463		ADHESIVE SCARICO ACQUA	1,00			--
0005		ETET01686		LABEL -	2,00			--
0006		MPVR05862		TANK RECUP.CT160	1,00			--
0007		MPVR05861		PEDAL P185	1,00			--
0008		ETET01408		LABEL SCHEMA COLLEG. BATTERIE	1,00			--
0009		MPVR04179		ENVELOPE PORTAMANUALE ADESIVA	1,00			--
0010		PLDC01455		ELEC. DIAGRAM DISEGNO	1,00			--
0011		MPVR05865		SIDE PANEL -	1,00			--
0012		MPVR05866		SIDE PANEL -	1,00			--
0013		KTRI02011		TANK SOLUZIONE CLT160	1,00			--
0014		ETET00897		ADHESIVE SIMBOLO PERICOLO	2,00			--
0015		ETET00906		ADHESIVE SIMBOLO PERICOLO DI ABRAS	2,00			--
0016		MIVR00064		ENVELOPE PORTA CABLAGGI	1,00			--
0018		PLDC01504		INSTR.MANUAL NEUTRO CLEANTIME 160	1,00			--



Ref. K	Part N.	Customer Part N.	Description	Qty	Validity:		Price
					From	To	
0001	MOCC00398		MOTOR MP100	1,00			--
0002	RDGR00039		REDUCTION UNIT -	1,00			--
0003	CUVR00194		BEARING 61926 2RS	1,00			--
0004	RTRT00533		RING MOTORWHEEL	1,00			--
0005	RDGR00039		REDUCTION UNIT -	1,00			--
0006	MPVR05990		CAP CT110	1,00			--
0007	MEVR00985		BRUSHES CT110	1,00			--