

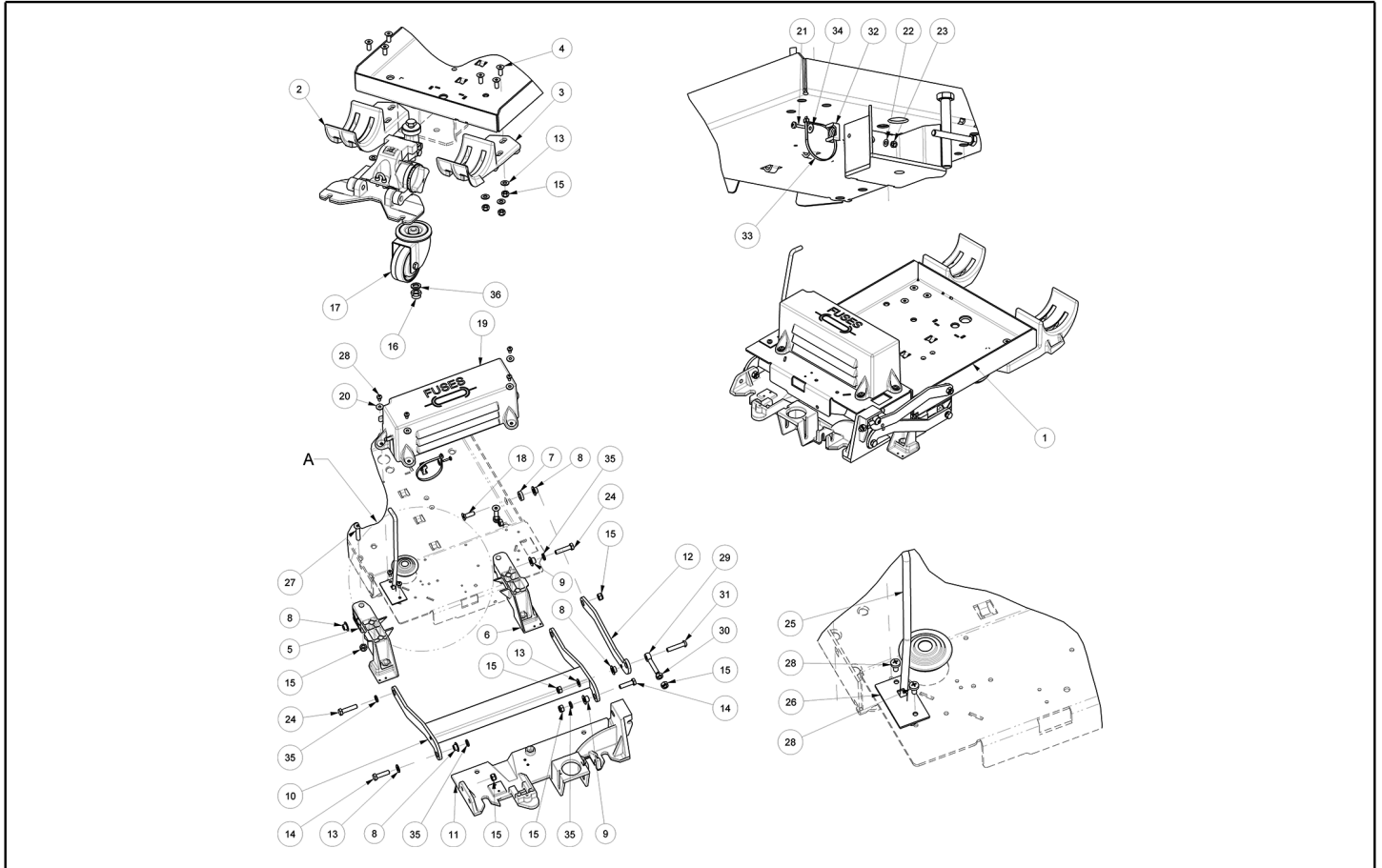


**IPC**

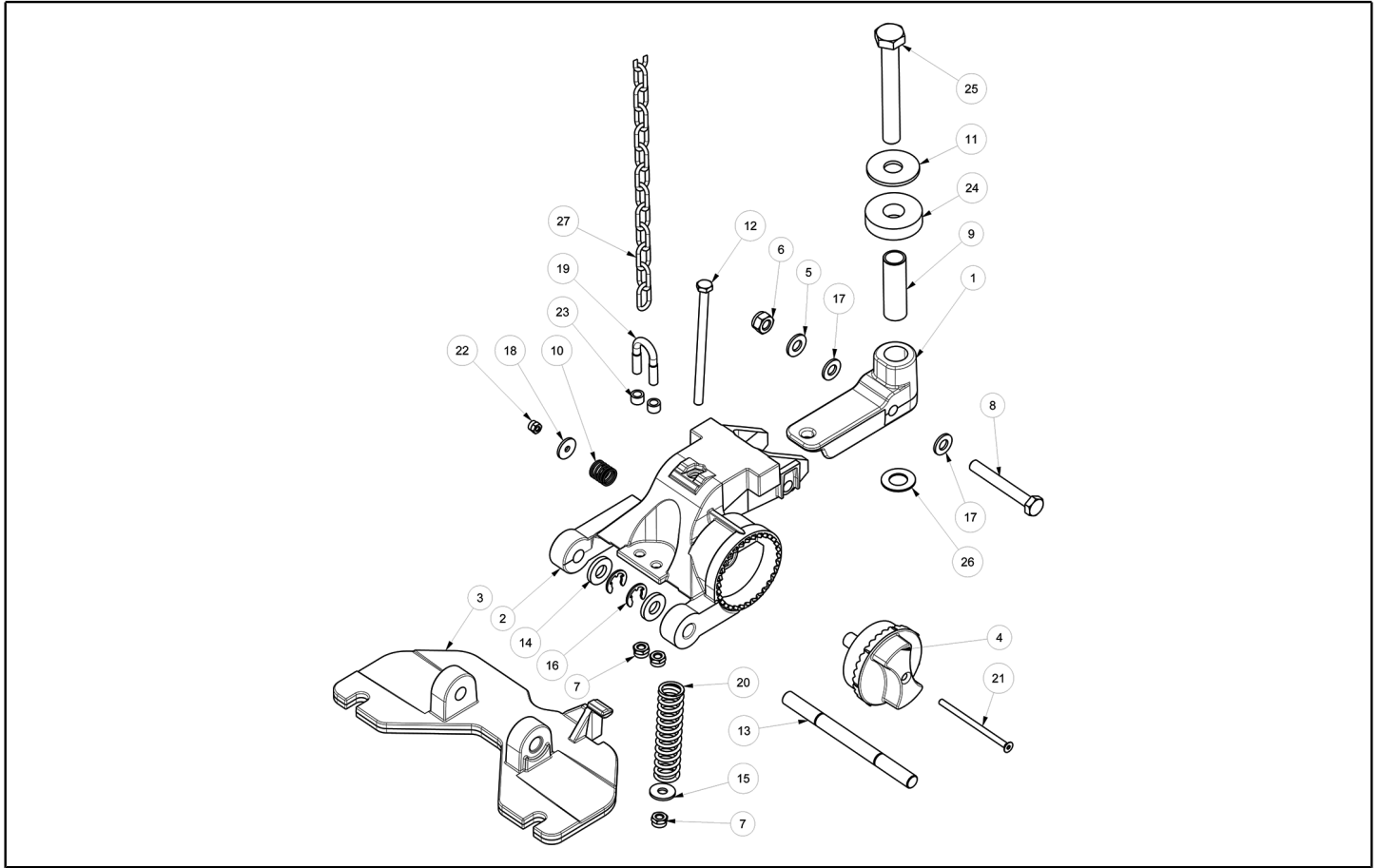
**Spare parts list**

Ref: LPTB01964

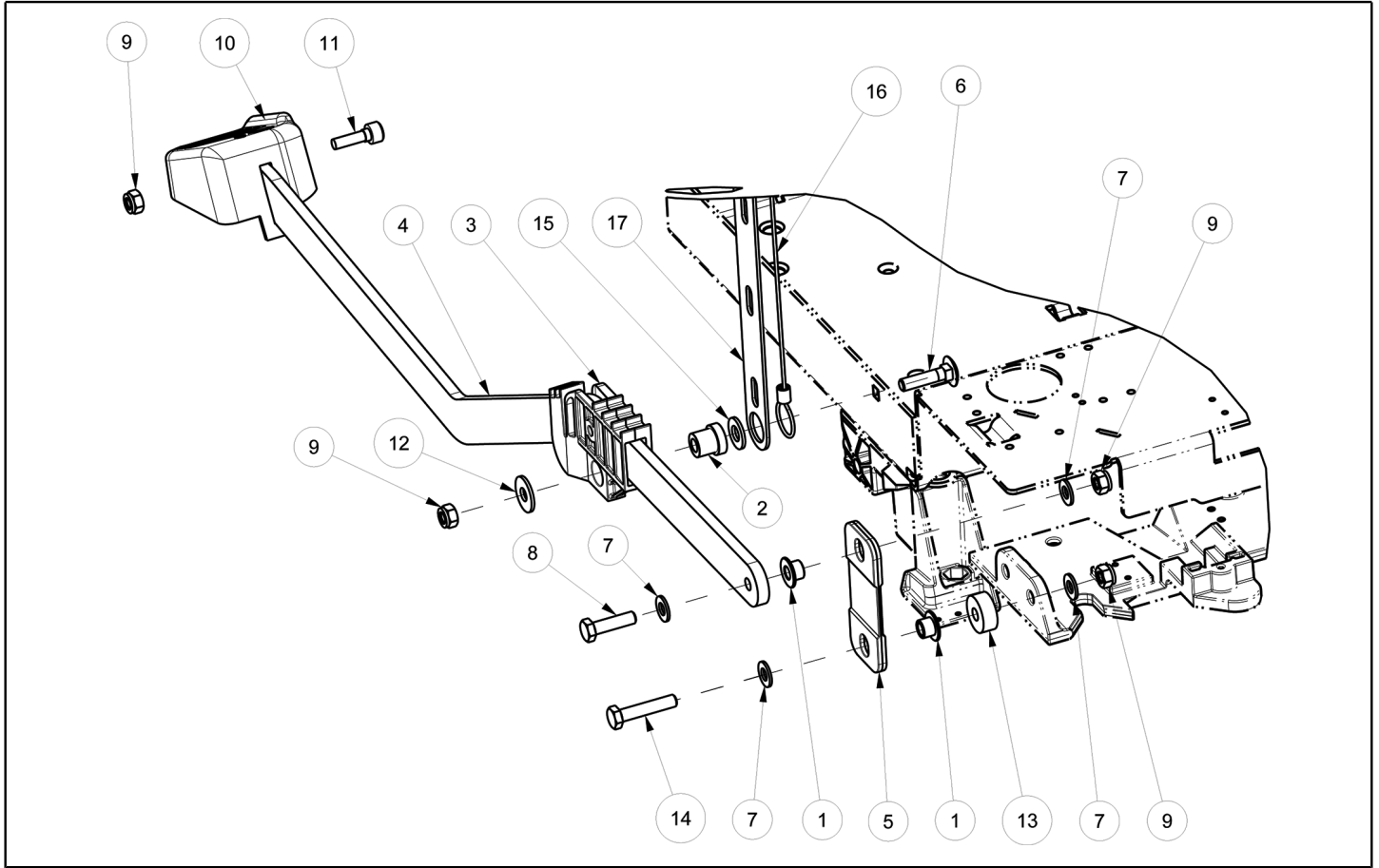
Model: FLOOR WASHER CT51 B50+CB+TL VE USA



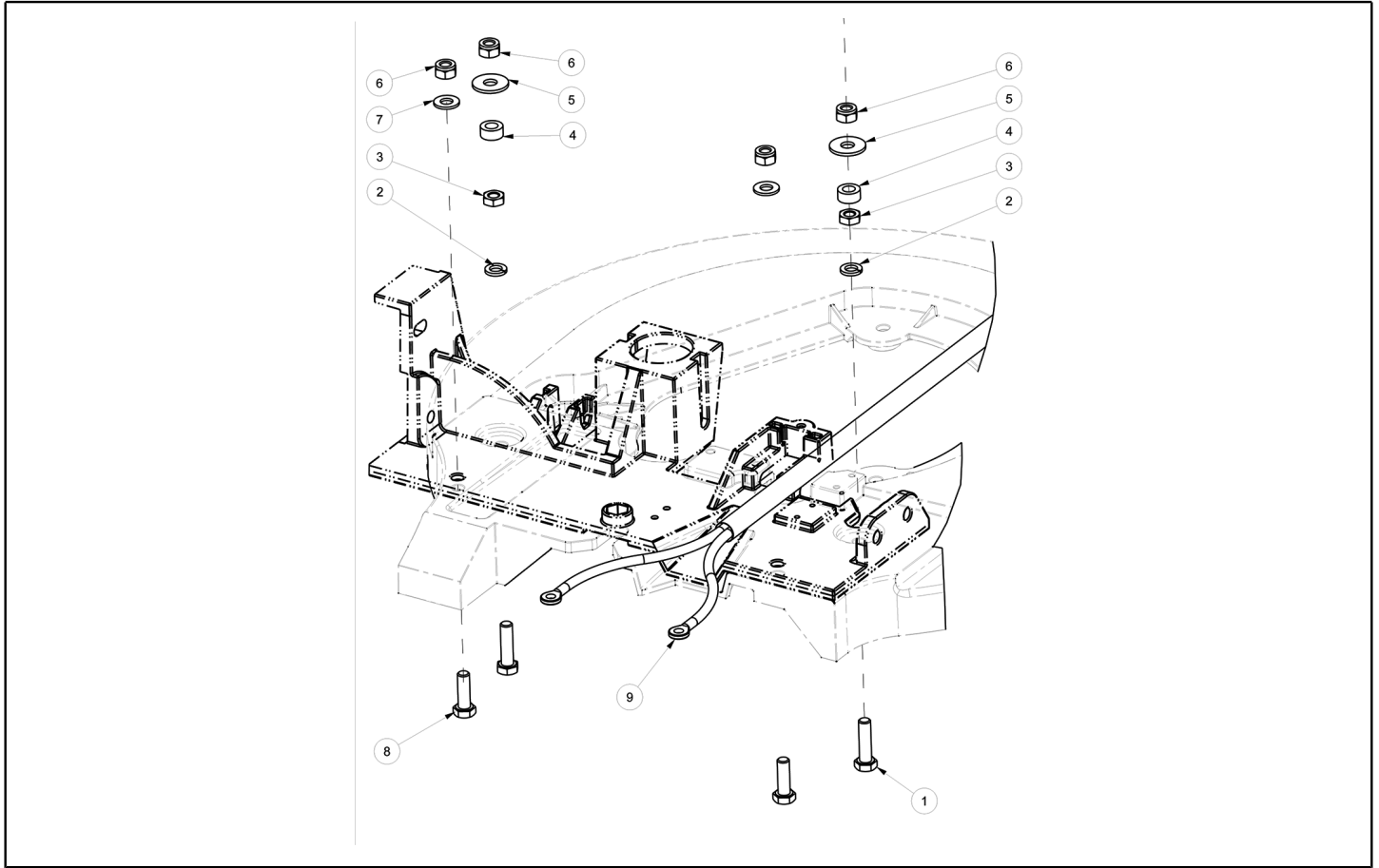
Ref. K	Part n.	Part n. 2	Description	Quantity	Validity		Price
					From	To	
0001	LAFN09477		FRAME CT50/70	1,00			--
0002	MFVR00286		SUPPORT -	1,00			--
0003	MFVR00287		SUPPORT -	1,00			--
0004	VTVT01352		SCREW TSPEI M8X20	6,00			--
0005	MFVR00283		SUPPORT -	1,00			--
0006	MFVR00284		SUPPORT -	1,00			--
0007	LAFN11009		SPACER -	1,00			--
0008	LAFN06391		BUSHING BRUSH DECK SUPPORT	4,00			--
0009	LAFN10998		BUSHING -	2,00			--
0010	LAFN09420		ARM -	1,00			--
0011	MFVR00240		BRACKET BRUSH HEAD SUPPORT CT51	1,00			--
0012	LAFN09421		LEVER -	1,00			--
0013	VTRS13947	75373	WASHER D. 8 INX UNI 6592	8,00			--
0014	VTVT00140	05014	SCREW TE M8x30	2,00			--
0015	VTDD01695	SL05039	NUT M 8 INX	15,00			--
0016	VTDD00176	SL05092	NUT M.12 INOX A2 BASSO AUTOB.	1,00			--
0017	RTRT00518		WHEEL CASTOR D.80X30	1,00			--
0018	VTVT00781	SL04271	SCREW TSPEI M.8-25	1,00			--
0019	MPVR06505		COVERING ELECTRONIC BOX CT51	1,00			--
0020	VTRS13750	SL06038	WASHER D. 5X14 INX	4,00			--
0021	VTVT01366		SCREW M4X16	1,00			--
0022	VTRS00515	SL06032	WASHER D. 4 INX	1,00			--
0023	VTDD00055	75289	NUT M 4 ATB A2	1,00			--
0024	VTVT00017	1105066	SCREW TE UNI 5739 8X35 ZB	2,00			--
0025	LAFN11014		PIN -	1,00			--
0026	LAFN11077		PLATE -	1,00			--
0027	VTVT01322		SCREW TSPEI 8X45 UNI5933 INX	2,00			--
0028	VTVT01297		SCREW M 4X 8 TCB-TC UNI 8112	6,00			--
0029	VTVR00335		TIE ROD -	1,00			--
0030	VTDD15521	05518	NUT M 8 INX A2 UNI 5588	1,00			--
0031	VTVT01431		SCREW M8X40	1,00			--
0032	MPVR10765		SUPPORT FOR CLAMP	1,00			--
0033	FSVR00049	75098	CLAMP 4,5x200 black	1,00			--
0034	VTRS00017	1105331	WASHER STEEL INOX 4X12	1,00			--
0035	VTRS15146	05519	WASHER D. 8 INX GRW UNI 1751	4,00			--
0036	VTRS15919		WASHER D.12 GROVER UNI 1751 INX	1,00			--



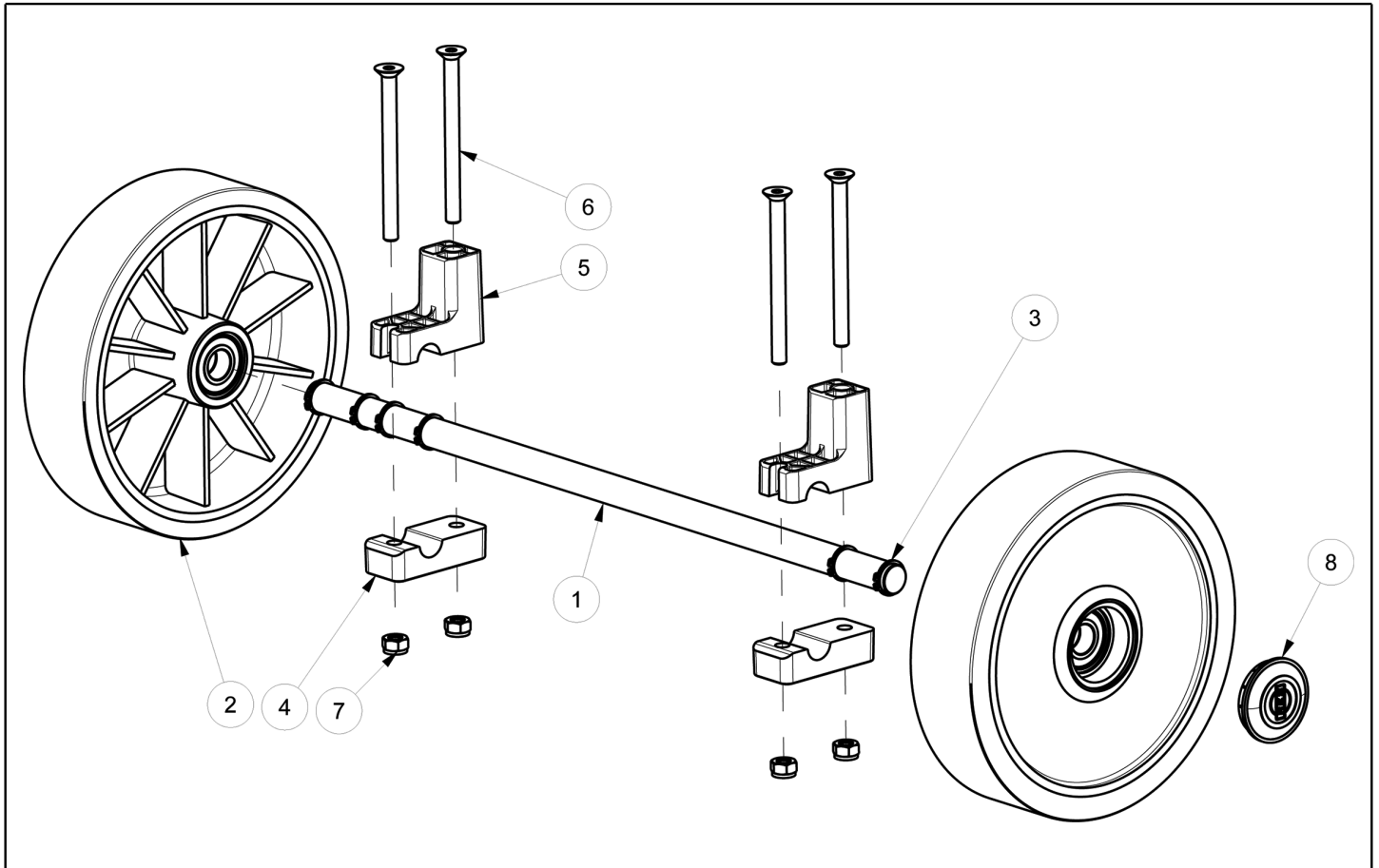
Ref. K	Part n.	Part n. 2	Description	Quantity	Validity		Price
					From	To	
0001	MFVR00235		SUPPORT PIVOT SQUEEGEE CT51-71	1,00			--
0002	MFVR00236		SUPPORT REGULATION SQUEEGEE CT51	1,00			--
0003	MFVR00237		SUPPORT SQUEEGEE CT51	1,00			--
0004	MPVR06468		KNOB SQUEEGEE ANGLE ADJUSTMENT	1,00			--
0005	VTRS13947	75373	WASHER D. 8 INX UNI 6592	1,00			--
0006	VTDD01695	SL05039	NUT M 8 INX	1,00			--
0007	VTDD01694	SL05074	NUT M6 INOX	3,00			--
0008	VTVT01009		SCREW 8X60	1,00			--
0009	LAFN09439		BUSHING 13X16X51	1,00			--
0010	MLML00491		SPRING SQUEEGEE KNOB	1,00			--
0011	VTRS09142	1105328	WASHER UNI 6593 12X36X2,5	1,00			--
0012	VTVT01437		SCREW TE M6x100	1,00			--
0013	LAFN09417		PIN FOR SQUEEGEE SUPPORT CT51	1,00			--
0014	VTRS00382		WASHER -	2,00			--
0015	VTRS13945	SL06039	WASHER D. 6X18 INX UNI 6593	1,00			--
0016	VTAE00012	1105766	SEEGER RADIALE UNI 7434 D.10	2,00			--
0017	VTRS00274	SL06064	WASHER NYLON 66 D.8,4-17-2 UNI	2,00			--
0018	VTRS00251	SL06031	WASHER 4-16 INOX A2	1,00			--
0019	LAFN09231		BRACKET M6X11X29	1,00			--
0020	MLML00490		SPRING -	1,00			--
0021	VTVT01585		SCREW 4X70 UNI 5933	1,00			--
0022	VTDD15925	SL05078	NUT M 4 INX+ZN	1,00			--
0024	MPVR06069		WASHER 15X40	1,00			--
0025	VTVT00305	SL04041	SCREW HEX HEAD M12 UNI5737 8.8	1,00			--
0026	VTRS88000	SL06114	WASHER ELAST.ONDUL.DI 13	1,00			--
0027	MTCR00107		CHAIN SQUEEGEE LIFTING CT51	1,00			--
0028	VTRS00017	1105331	WASHER STEEL INOX 4X12	1,00	23/05/2018		--



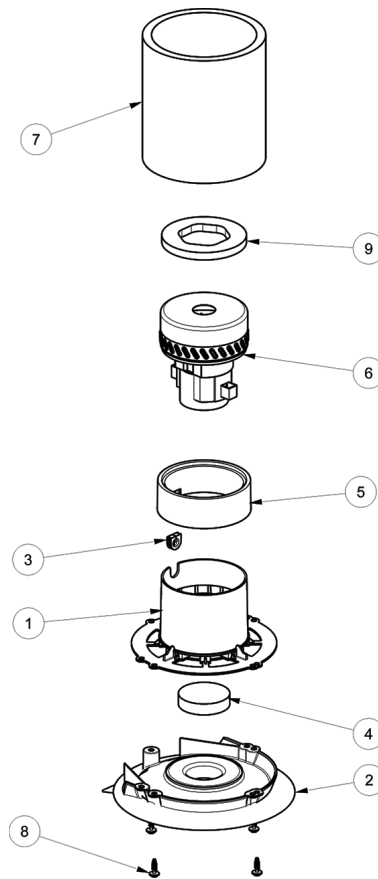
Ref. K	Part n.	Part n. 2	Description	Quantity	Validity		Price
					From	To	
0001	LAFN10998		BUSHING -	2,00			--
0002	LAFN10997		SPACER	1,00			--
0003	MPVR06500		SUPPORT LIFTING PEDAL CT51	1,00			--
0004	LAFN09427		LEVER PEDAL BRUSH HEAD CT51	1,00			--
0005	MPVR06502		PLATE LINK PEDAL-BRUSH HEAD 51	1,00			--
0006	VTVT01143		SCREW TTQDE M8X35	1,00			--
0007	VTRS13947	75373	WASHER D. 8 INX UNI 6592	4,00			--
0008	VTVT13937	11051230	SCREW TE M 8X 30 INX UNI 5739	1,00			--
0009	VTDD01695	SL05039	NUT M 8 INX	4,00			--
0010	MPVR06471		PEDAL HEAD LIFTING	1,00			--
0011	VTVT00639	SL04026	SCREW TCEI 8X25	1,00			--
0012	VTRS13946	SL06025	WASHER D. 8 X24 INX UNI 6593	1,00			--
0013	MPVR10793		SPACER	1,00			--
0014	VTVT00708	SL04155	SCREW TE M. 8-40	1,00			--
0015	VTRS15523	11051234	WASHER D.10 X21 INOX UNI 6592	1,00			--
0016	CMCV00475		CABLE STEEL SAFETY CT51-71	1,00			--
0017	MPVR11573		GUIDE CT51-71	1,00			--



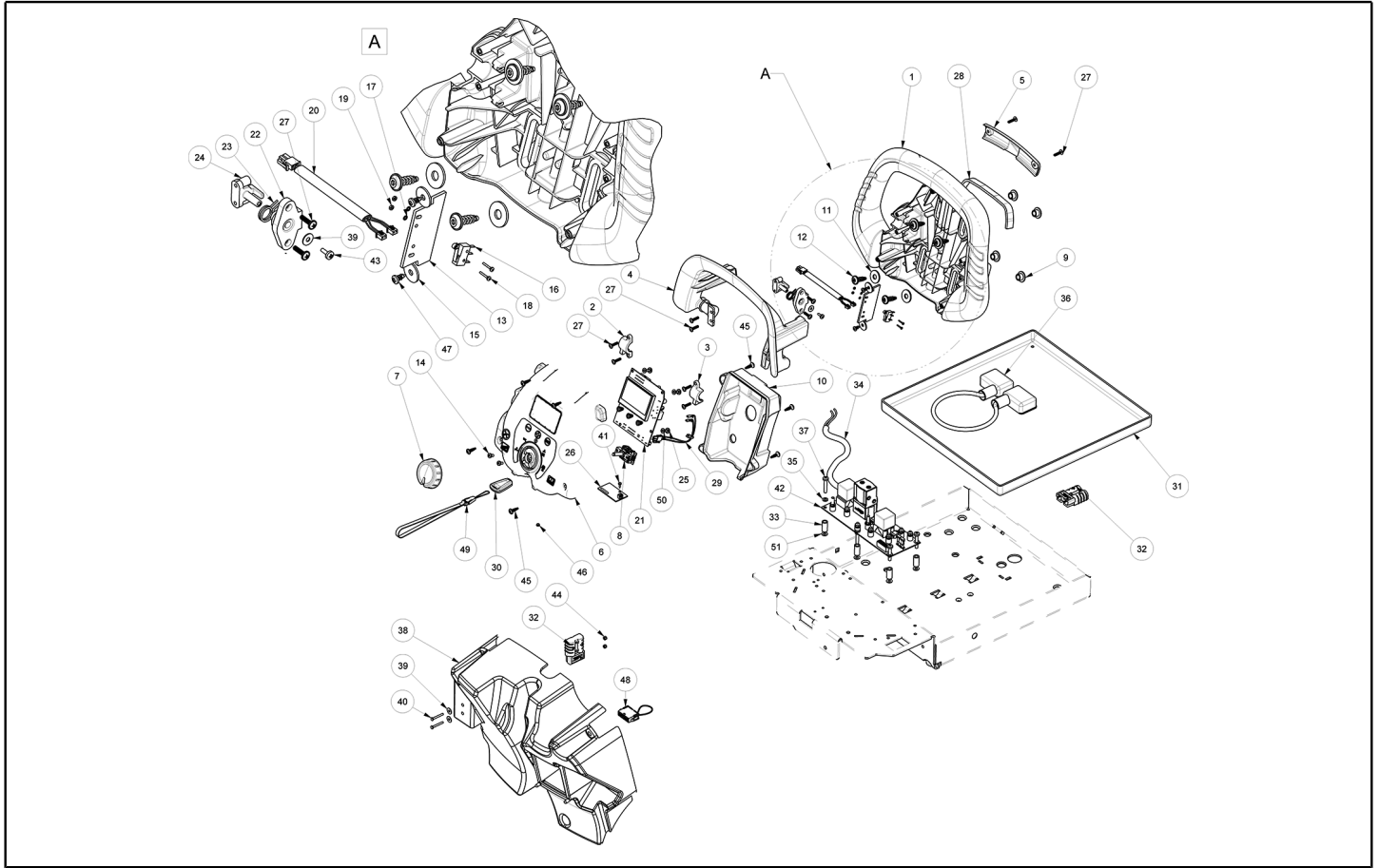
Ref. K	Part n.	Part n. 2	Description	Quantity	Validity		Price
					From	To	
0001	VTVT13937	11051230	SCREW TE M 8X 30 INX UNI 5739	2,00			--
0002	VTRS15146	05519	WASHER D. 8 INX GRW UNI 1751	2,00			--
0003	VTDD00057		NUT UNI 5589 M8 BASSO ZB	2,00			--
0004	LAFN11003		SPACER -	2,00			--
0005	VTRS13946	SL06025	WASHER D. 8 X24 INX UNI 6593	2,00			--
0006	VTDD01695	SL05039	NUT M 8 INX	4,00			--
0007	VTRS13947	75373	WASHER D. 8 INX UNI 6592	2,00			--
0008	VTVT15907	SL04145	SCREW TE 8X25 UNI5739 INX	2,00			--
0009	MECB01945		WIRING CT51	1,00			--



Ref. K	Part n.	Part n. 2	Description	Quantity	Validity		Price
					From	To	
0001	LAFN09422		AXLE -	1,00			--
0002	RTRT00577		WHEEL -	2,00			--
0003	VTAE00084		CIRCLIP D. 20	6,00			--
0004	MPVR06485		HOSE COLLAR	2,00			--
0005	MPVR10579		SUPPORT -	2,00			--
0006	VTVT01590		SCREW M8X100 UNI933 A2	4,00			--
0007	VTDD01695	SL05039	NUT M 8 INX	4,00			--
0008	MPVR11199		CAP G48	2,00			--

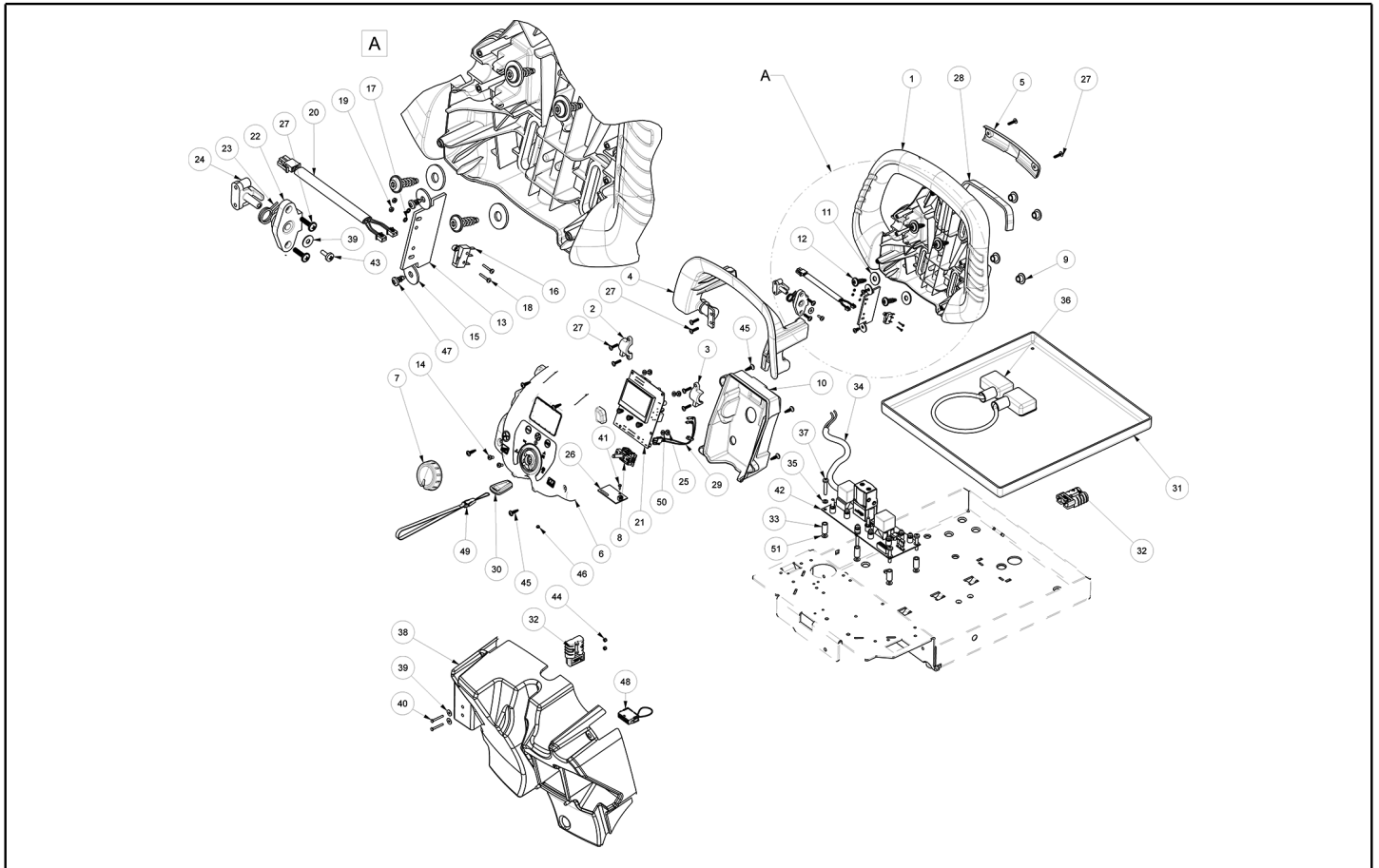


Ref. K	Part n.	Part n. 2	Description	Quantity	Validity		Price
					From	To	
0001	MPVR06466		SUPPORT VACUUM MOTOR 2 ST.CT51-71	1,00			--
0002	MPVR06480		COVERING VACUUM MOTOR CT51-71	1,00			--
0003	GUGO00496		FAIR-LEAD 14-747	1,00			--
0004	FTAC00072		FILTER VACUUM INTAKE CT51	1,00			--
0005	GUGO00466		GASKET RUBBER VACUUM MOT. CT51	1,00			--
0006	MOCC00417		MOTOR VACUUM 24 2-STAGES	1,00			--
0006	MEVR02377		CARBON BRUSHES FOR MOCC00401-407	1,00			--
0007	ITSO00076		SOUND-PROOFING VAC. MOTOR EXTERNAL	1,00			--
0008	VTVT01427		SCREW STS KN1038 8x25 - T40 A2	4,00			--
0009	GUGO00509		GASKET VACUUM MOTOR CT51-71	1,00			--

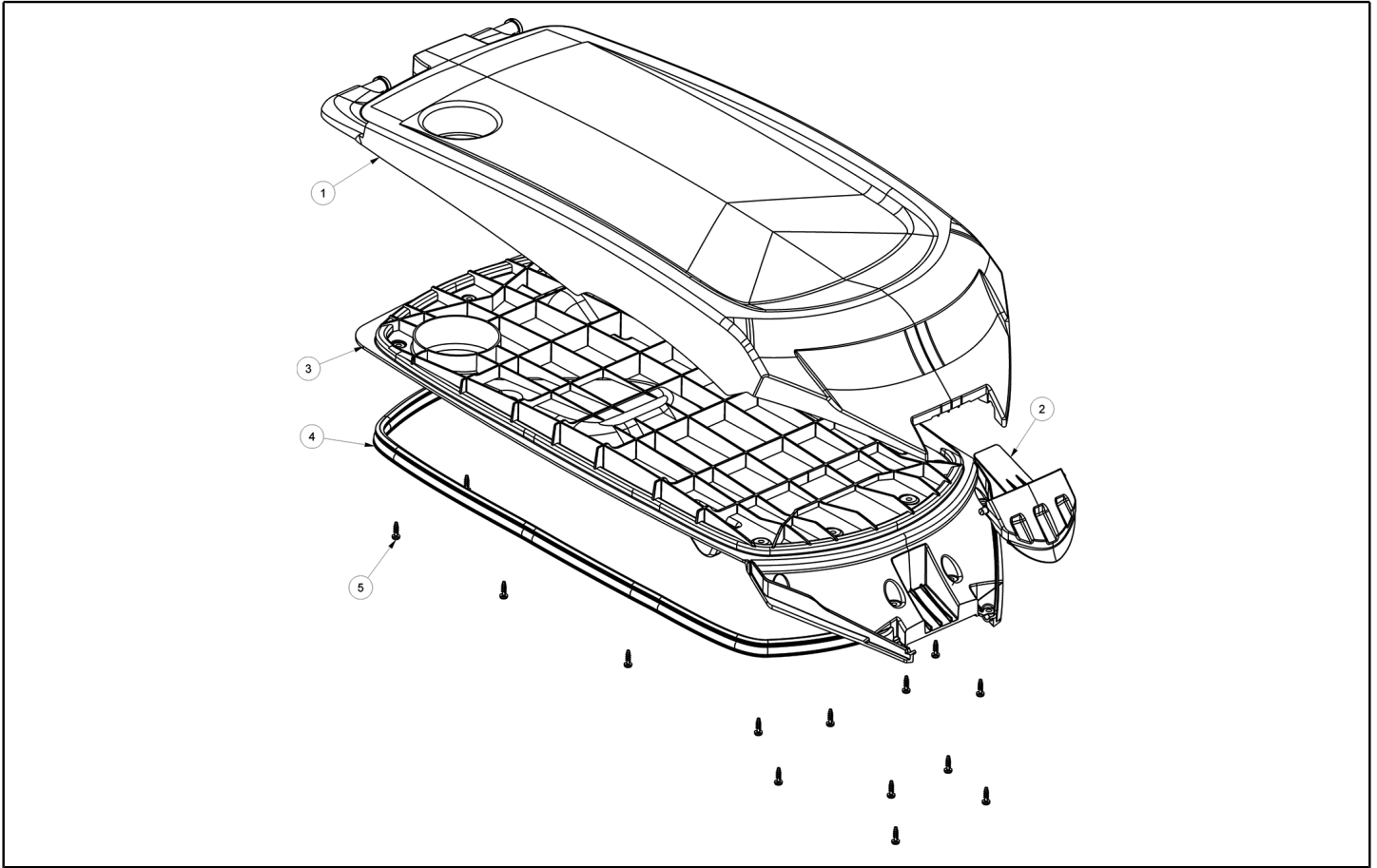


Ref. K	Part n.	Part n. 2	Description	Quantity	Validity		Price
					From	To	
0001	MPVR06525		HANDLE GRIP CT51	1,00			--
0002	MPVR06528		SUPPORT -	1,00			--
0003	MPVR07177		SUPPORT -	1,00			--
0004	MPVR06526		LEVER DIRECTION CT51-71	1,00			--
0005	MPVR10694		CAP	1,00			--
0006	MPVR10744		COVERING UPPER CT51-71	1,00			--
0007	MPVR06527		KNOB DIALER SELECTOR CT51-71	1,00			--
0008	MECI00587		SELECTOR DIALER SWITCH CT51-71	1,00			--
0009	LAFN10998		BUSHING -	4,00			--
0010	MPVR11640		COVERING CT51	1,00			--
0011	VTRS13946	SL06025	WASHER D. 8 X24 INX UNI 6593	4,00			--
0012	VTVT01427		SCREW STS KN1038 8x25 - T40 A2	4,00			--
0013	MPVR11198		SPACER CT51/71	1,00			--
0014	VTVT00813	SL04319	SCREW M 4X 8 TCB-TC UNI 8112	2,00			--
0015	VTRS00291	SL06084	WASHER D. 5 X20 ZC UNI 6593	2,00			--
0016	MECI00588		MICROSWITCH -	1,00			--
0017	VTRS00581		WASHER D.2	2,00			--
0018	VTVT01592		SCREW TC 2X12	2,00			--
0019	VTDD00213		NUT M2	2,00			--
0020	MECB01951		WIRING CT51	1,00			--
0021	MECE00746		BOARD .	1,00			--
0022	MPVR07184		BRACKET -	1,00			--
0023	MLML00352		SPRING -	1,00			--
0024	MPVR07185		BRACKET -	1,00			--
0025	VTVT01694		SCREW TCB TC 5 X10 UNI 9707 TZ	4,00			--
0026	MECE00749		BOARD REED	1,00			--
0027	VTVT01071		SCREW STS KN1031-Neu 4x16 - H2	10,00			--
0028	MPVR10772		GASKET	1,00			--
0029	MECB02018		WIRING	1,00			--
0030	MEVR02390		KEY ELECTRONIC CT51-71 B	2,00			--
0031	LAFN35588	SL17162-1	BATTERY SUPPORT CT LINE	1,00			--
0032	MEVR01079	SL23010K	PLUG M CB50 A 600V RD.	1,00			--
0033	MPVR06501		SPACER	6,00			--
0034	MECB01928		WIRING	1,00			--
0035	VTRS00516	SL06034	WASHER D. 5 INX	6,00			--
0036	MEVR34820	SL23838	WIRING BATTERY BRIDGE W/TERMINAL	1,00			--
0037	VTVT01440		SCREW	6,00			--
0038	MPVR06467		COVER BATTERY CHARGER CT51-71	1,00			--
0039	VTRS00017	1105331	WASHER STEEL INOX 4X12	3,00			--
0040	VTVT00021	1105071	SCREW TE UNI 5739 3X25 ZB	2,00			--
0041	VTVT00522	SL04215	SCREW TCB-TC 2.9X 9.5 UNI6954	1,00			--
0042	MECE00733		PCB RELAY CT51-71 B	1,00			--
0043	VTVT37012	SL04289	SCREW M 4X 10 TCB-TC INX	1,00			--
0044	VTDD00210		NUT M 3 AUTOBL.DIN 985 IX.A2	2,00			--

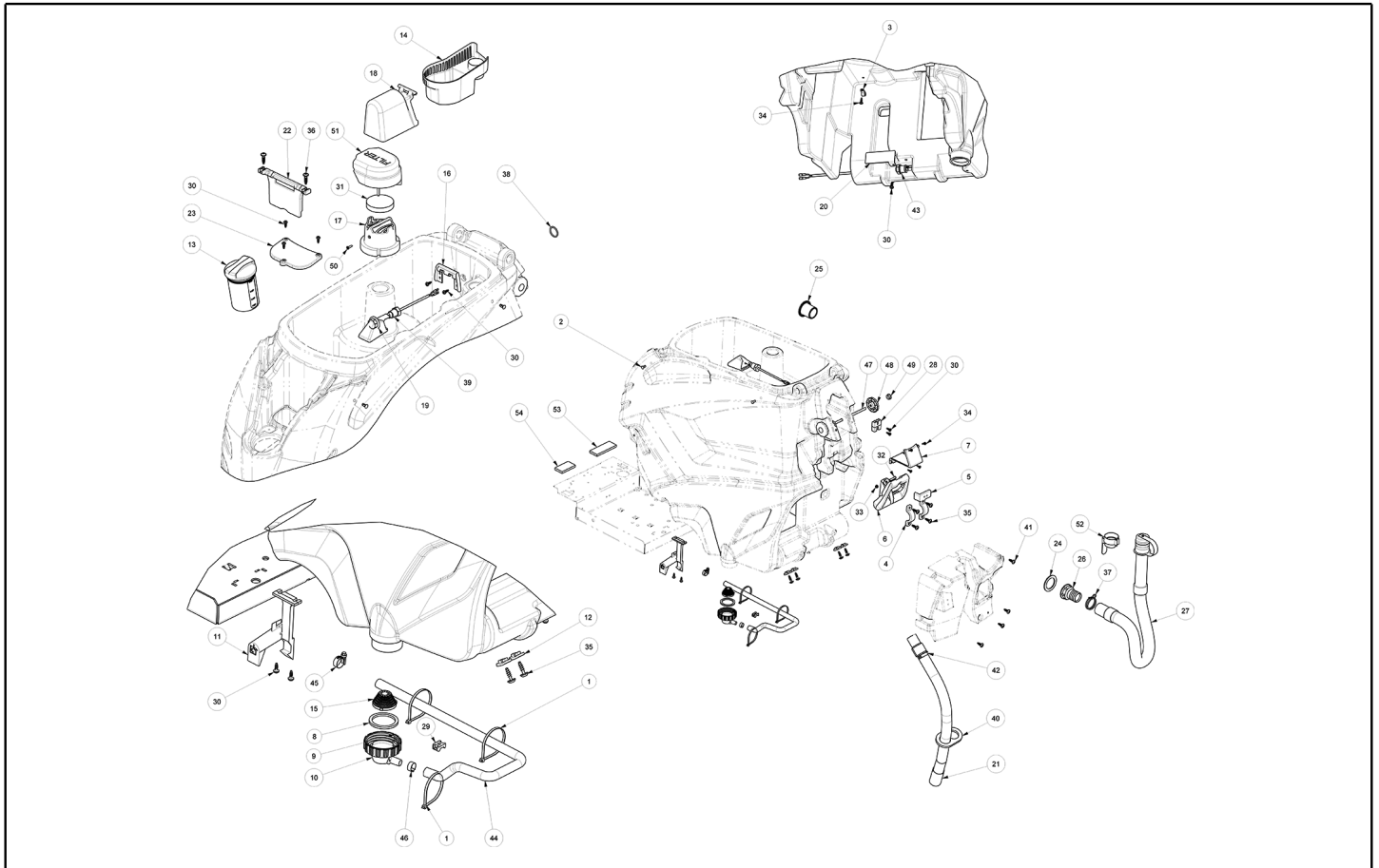




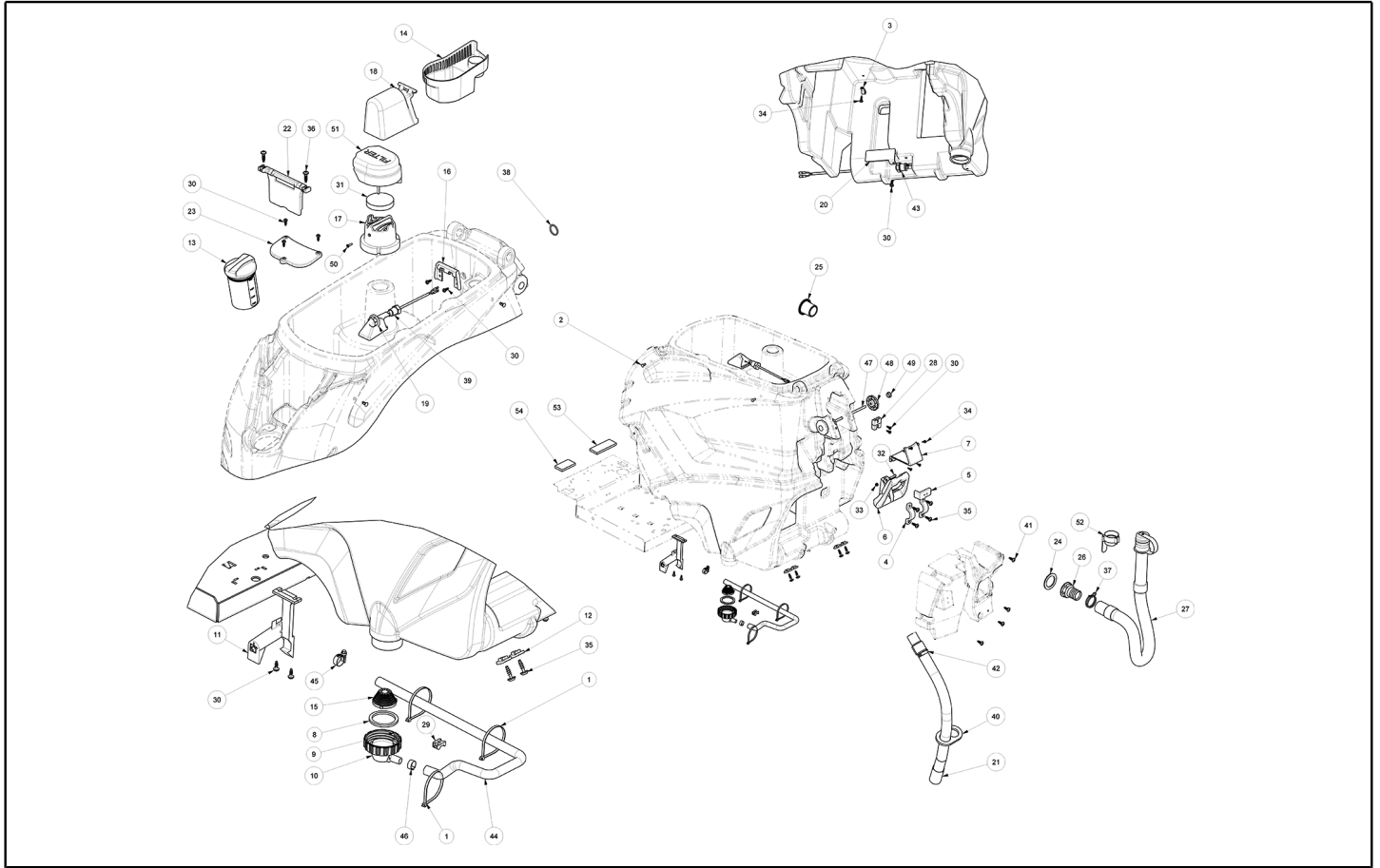
Ref. K	Part n.	Part n. 2	Description	Quantity	Validity		Price
					From	To	
0045	VTVT01072		SCREW STS KN1038 5x16 - T20 A2	7,00			--
0046	MPVR10701		RUBBER KEY HOLD CT51	1,00			--
0047	VTVT48694	SL04371	SCREW TCB TC 5 X12 UNI 9707 TZ	2,00			--
0048	MECB01981		WIRING BRIDGE CT51 W/O CHARGER	1,00			--
0049	MPVR11496		CORD -	1,00			--
0050	VTRS00570		WASHER -	4,00			--
0051	VTRS00596		WASHER -	6,00			--



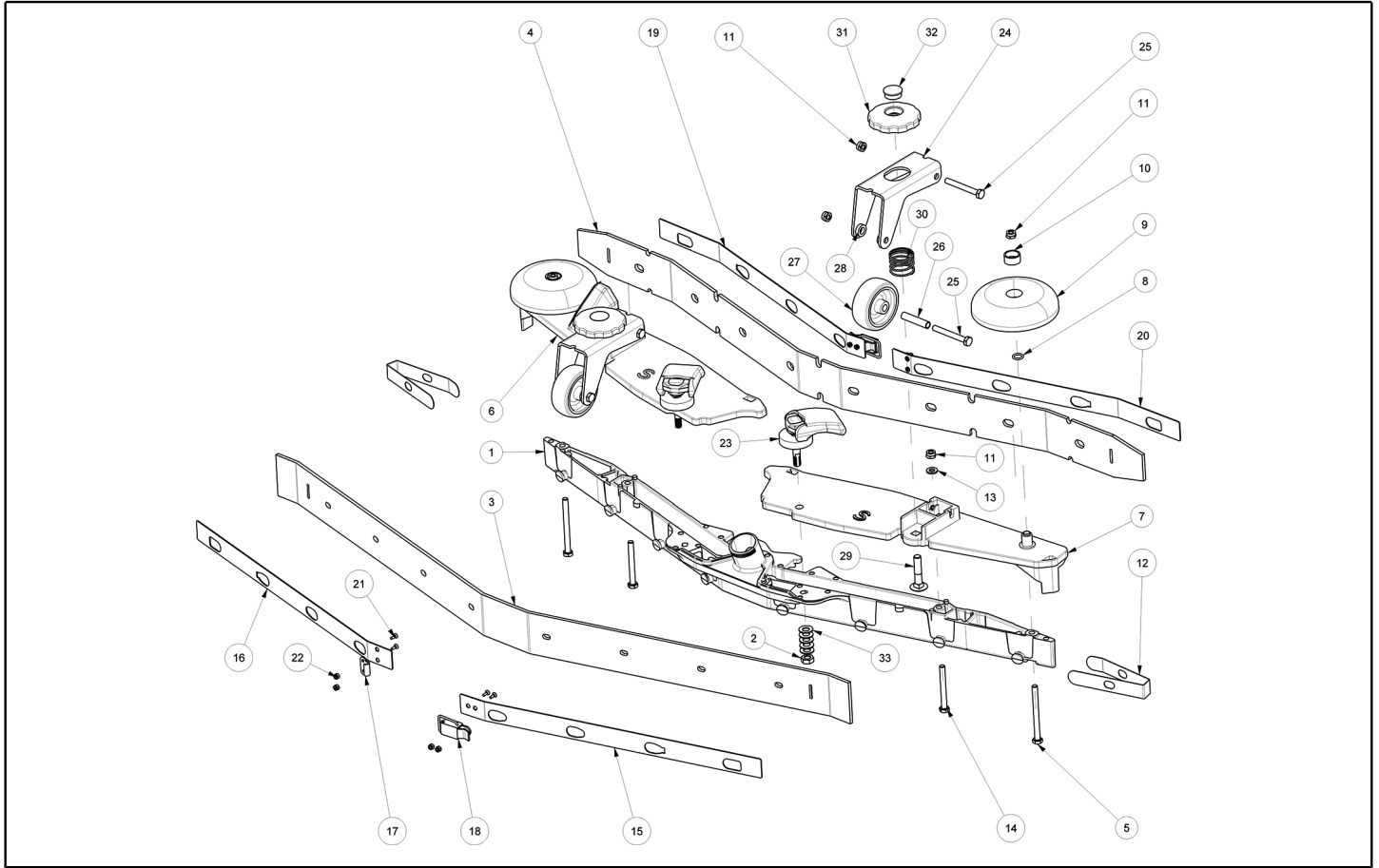
Ref. K	Part n.	Part n. 2	Description	Quantity	Validity		Price
					From	To	
0001	MPVR06476		COVER RECOVERY TANK EXTERNAL	1,00			--
0002	MPVR06477		LEVER CLOSURE LID CT51	1,00			--
0003	MPVR10696		COVER RECOVERY TANK INTERNAL	1,00			--
0004	GUVR01019		GASKET RECOVERY TANK LID CT51-71	1,00			--
0005	VTVT01072		SCREW STS KN1038 5x16 - T20 A2	17,00			--



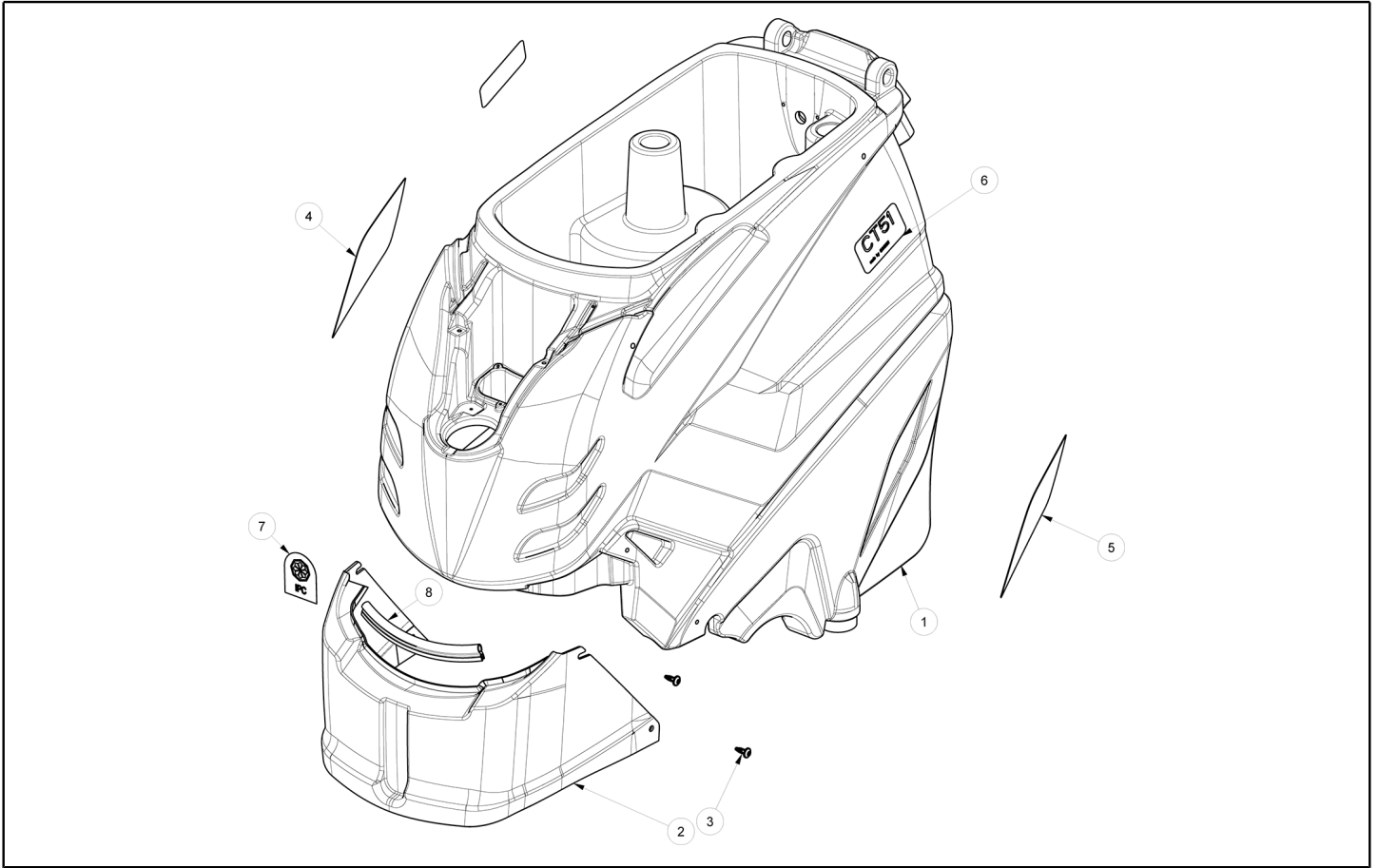
Ref. K	Part n.	Part n. 2	Description	Quantity	Validity		Price
					From	To	
0001	FSVR00049	75098	CLAMP 4,5x200 black	3,00			--
0002	MPVR11355		CLIP	2,00			--
0003	MPVR02933	SL14146	DUCT LOCK D.9,5	1,00			--
0004	MPVR06470		PLATE -	1,00			--
0005	MPVR10564		SUPPORT -	1,00			--
0006	MPVR06469		HANDLE SQUEEGEE LIFTING CT51-71	1,00			--
0007	MPVR10571		FLANGE -	1,00			--
0008	GUGO00478		GASKET SOLUTION FILTER CT51	1,00			--
0009	MPVR06561		CAP	1,00			--
0010	MPVR10566		HOSE FITTING SOLUTION FILTER CT51	1,00			--
0011	MPVR06475		LEVER TANK LOCKING CT51	1,00			--
0012	MPVR10562		SLIDE -	4,00			--
0013	MPVR11497		CAP SOLUTION TANK	1,00			--
0014	MPVR06490		FILTER DEBRIS COLLECTOR	1,00			--
0015	MPVR10565		FILTER SOLUTION TANK CT51-71	1,00			--
0016	MPVR10576		SUPPORT -	1,00			--
0017	MPVR11676		SUPPORT FILTER CT51-71	1,00			--
0018	MPVR06560		PROTECTION	1,00			--
0019	VTDD00529		NUT 1/2"-14 NPT PA66	1,00			--
0020	LAFN11043		BRACKET -	1,00			--
0021	TBFX00353		TUBE SUCTION CT40-51-55-70-90	1,00			--
0022	MPVR10731		SUPPORT -	1,00			--
0023	MPVR10732		COVER -	1,00			--
0024	GUGO00216	SL03416	GASKET TANK DRAIN HOSE CUFF	1,00			--
0025	RCVR00339	MP18355	CONNECTOR RIF .220.060	1,00			--
0026	RCVR01103		CONNECTOR 1"1/2F d.45	1,00			--
0027	TBFX01069		TUBE DRAIN RECOVERY TANK CT51-	1,00			--
0028	MPVR11684		JOINT TUBO	1,00			--
0029	MPVR10765		SUPPORT FOR CLAMP	1,00			--
0030	VTVT01073		SCREW STS KN1039 6x16 - T25 A2	10,00			--
0031	FTDP00678		FILTER VACUUM MOTOR CT51	1,00			--
0032	VTVT01714		SCREW TBEI 6X30	1,00			--
0033	VTDD01694	SL05074	NUT M6 INOX	1,00			--
0034	VTVT01072		SCREW STS KN1038 5x16 - T20 A2	5,00			--
0035	VTVT01427		SCREW STS KN1038 8x25 - T40 A2	8,00			--
0036	VTVT01429		SCREW STS KN1038 8x30 - T40 A2	2,00			--
0037	FSVR00262		CLAMP	1,00			--
0038	GUGO00591		O-RING NBR70 18X3	1,00			--
0039	MECI00645		SENSOR RECOVERY TANK CT51-71	1,00			--
0040	MPVR04659		FLANGE	1,00			--
0041	VTVT01430		SCREW STS KN1038 8x22 - T40 A2	4,00			--
0042	MPVR06119		CLAMP INDICATION , YELLOW	1,00			--
0043	MECI00592		SENSOR SOLUTION TANK CT51-71	1,00			--
0044	TBFX48011	MP19205	TUBE FLEX D.12X3 ARMORV.PVC TR	1,00			--



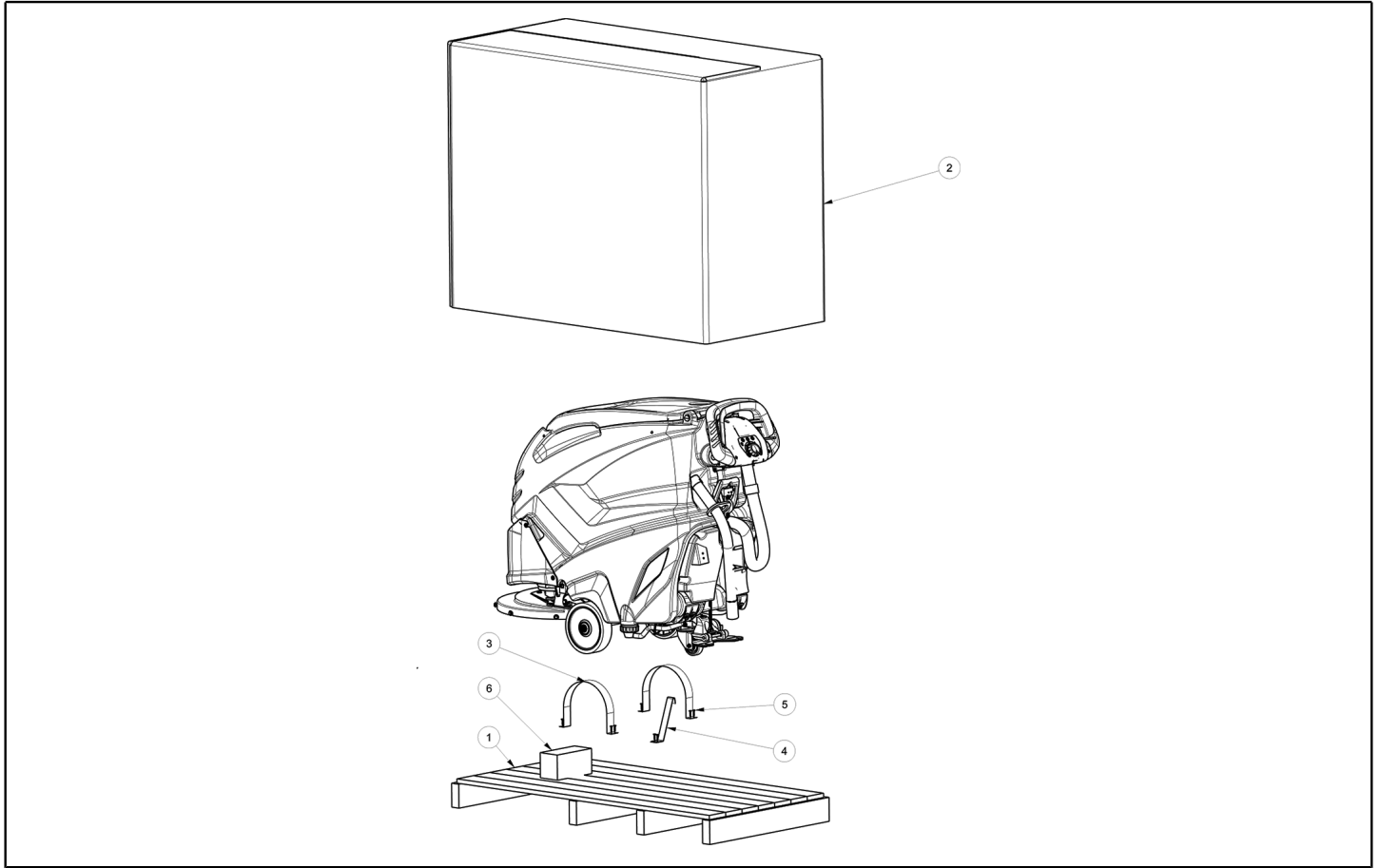
Ref. K	Part n.	Part n. 2	Description	Quantity	Validity		Price
					From	To	
0045	FSVR00428		CLAMP D. 12-20	1,00			--
0046	FSVR00261		CLAMP	1,00			--
0047	VTVR01001		BAR	1,00			--
0048	MPVR06478		SMALL KNOB WHEEL ADJUSTMENT	2,00			--
0049	MPVR06479		CAP -	2,00			--
0050	VTVT00835	SL04342	SCREW 4.5-20 DIN 7505-A INOX	1,00			--
0051	MPVR11641		COVERING FILTER CT51	1,00			--
0052	MPVR01097	14672	HOOK DRAIN HOSE	1,00			--
0053	MPVR11766		THICKNESS 110X40X8,5	1,00			--
0054	MPVR11767		THICKNESS 75X40X8,5	1,00			--



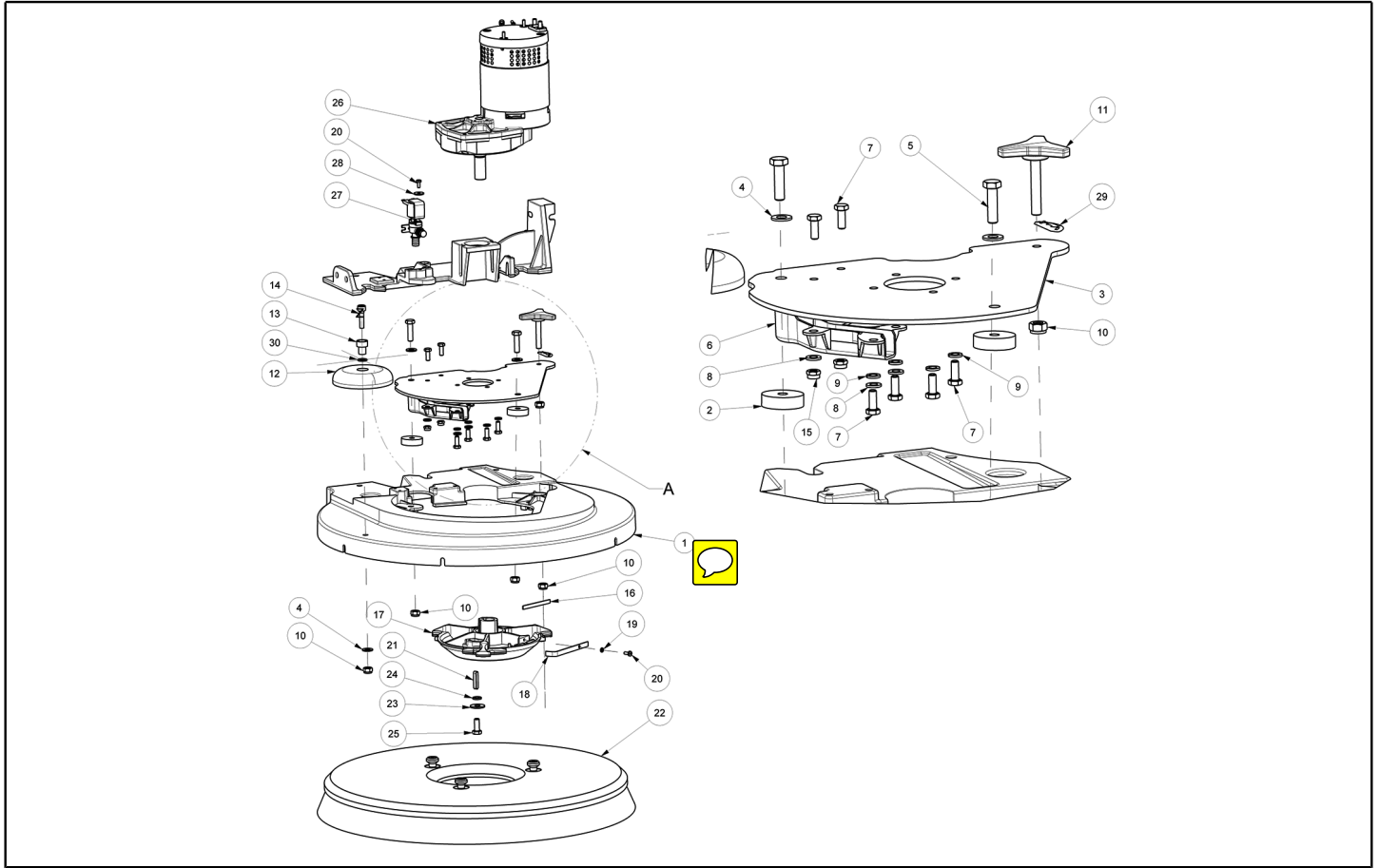
Ref. K	Part n.	Part n. 2	Description	Quantity	Validity		Price
					From	To	
0001	MFVR00297		BODY -	1,00			--
0002	VTDD00530		NUT M8 UNI 5589	2,00			--
0003	MPVR08035		BLADE S LATEX	1,00			--
0004	MPVR08039		BLADE S LATEX	1,00			--
0005	VTVT00699	SL04140	SCREW TE M. 6-70	2,00			--
0006	MPVR06491		PLATE -	1,00			--
0007	MPVR06492		PLATE -	1,00			--
0008	GUGO00164	SL03199	GASKET	2,00			--
0009	MPVR05290		ROLLER SIDE BUMPER WHEEL	2,00			--
0010	MPVR49229	SL17608	BUSHING SHK	2,00			--
0011	VTDD01694	SL05074	NUT M6 INOX	8,00			--
0012	MPVR05897		CLOSURE S	2,00			--
0013	VTRS00245	SL06022	WASHER D.6 UNI 6592 INOX	2,00			--
0014	VTVT00655	SL04061	SCREW TE M. 6-55	2,00			--
0015	LAFN09281		SHEET METAL PA. -	1,00			--
0016	LAFN09283		BLADE HOLDER S SIZE POST. LEFT	1,00			--
0017	LAFN09301		SOCKET -	2,00			--
0018	LAFN09302		CLOSURE -	2,00			--
0019	LAFN09280		SHEET METAL PA. -	1,00			--
0020	LAFN09279		BLADE HOLDER S SIZE ANT. RIGHT	1,00			--
0021	VTVT01070		SCREW TSTC M3X8	8,00			--
0022	VTDD00210		NUT M 3 AUTOBL.DIN 985 IX.A2	8,00			--
0023	PMVR06995		HOOKING SQUEEGEE CT51-71	2,00			--
0024	LAFN09471		SUPPORT CASTOR WHEEL NEW	2,00			--
0025	VTVT15515	SL04261	SCREW TE M 6X 50 INOX A2	4,00			--
0026	LAFN07534		SPACER -	2,00			--
0027	RTRT00398		WHEEL d.60 HOLE 8	2,00			--
0028	VTRS00383		WASHER -	4,00			--
0029	VTVT01304		SCREW M 8X 40 TTQST UNI 5731	2,00			--
0030	MLML00473		SPRING -	2,00			--
0031	MPVR06478		SMALL KNOB WHEEL ADJUSTMENT	2,00			--
0032	MPVR06479		CAP -	2,00			--
0033	MLML00493		DISC SPRINGS 16x8,2x0,9 DIN 2093	10,00	14/12/2017		--



Ref. K	Part n.	Part n. 2	Description	Quantity	Validity		Price
					From	To	
0001	MPVR06473		TANK CT51 GREEN	1,00			--
0002	MPVR06472		COVERING BRUSH MOTORS CT51-71 DISC	1,00			--
0003	VTVT01430		SCREW STS KN1038 8x22 - T40 A2	4,00			--
0004	ETET20201		LABEL -	1,00			--
0005	ETET20202		LABEL -	1,00			--
0006	ETET20203		LABEL CT51	2,00			--
0007	ETET20266		LABEL LABEL IPC 82X60	1,00			--
0008	GUVR00160	MP03551	GASKET RUBBERIZED	0,24			--

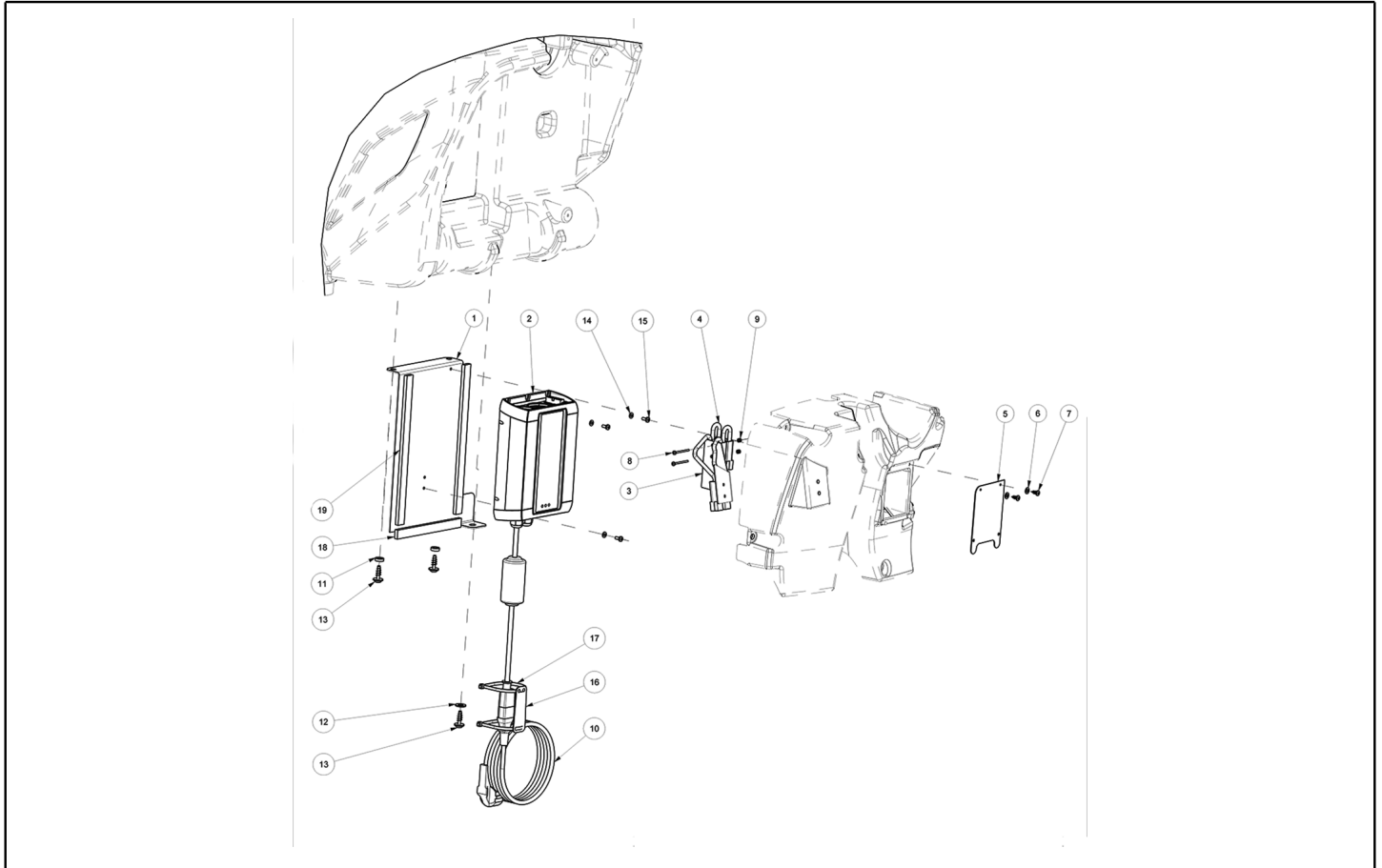


Ref. K	Part n.	Part n. 2	Description	Quantity	Validity		Price
					From	To	
0001	MIBA00150		PALLET	1,00			--
0002	MICT00703		CARTON	1,00			--
0003	MIVR00135		CLAMP RUOTA POSTERIORE X IMBAL.	2,00			--
0004	MIVR00269		BRACKET	1,00			--
0005	VTVT00043	1105360	SCREW AUTOF.LEGNO 4,5X25 TS BR	10,00			--
0006	MIVR00055	SL26005	BODY SIDE INF. IN POLIST.400X100X90	0,50			--

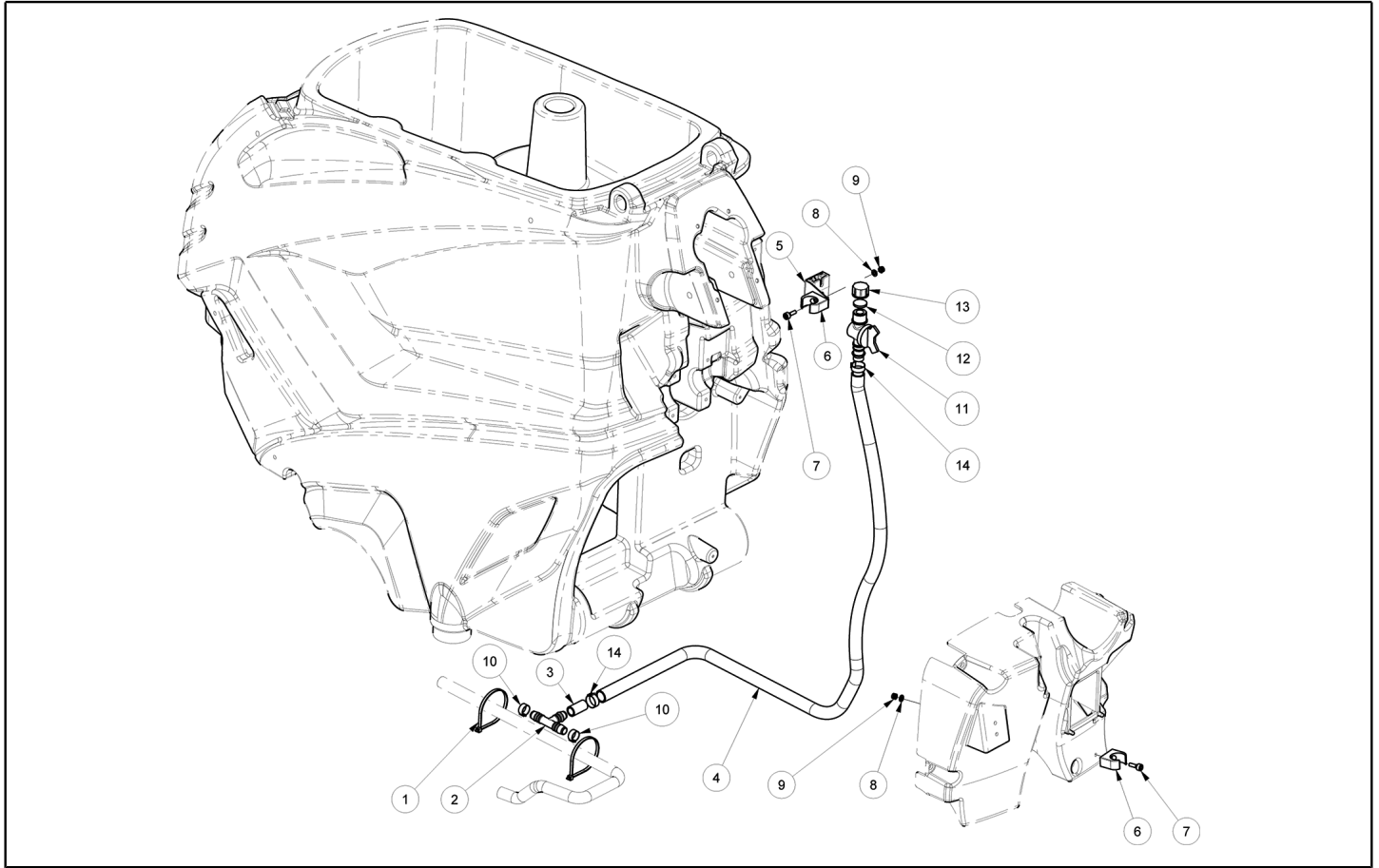


Ref. K	Part n.	Part n. 2	Description	Quantity	Validity		Price
					From	To	
0001	MFVR00238		HEAD DECK ALUMINIUM 50-55	1,00			--
0002	GUVR01012		WASHER 8X35	2,00			--
0003	LAFN09424		PLATE -	1,00			--
0004	VTRS13947	75373	WASHER D. 8 INX UNI 6592	3,00			--
0005	VTVT01050		SCREW TE M 8X30 INX UNI 5737	2,00			--
0006	MPVR06503		TUBE	1,00			--
0007	VTVT15143	SL04135	SCREW TE 6X16 UNI5739	6,00			--
0008	VTRS00245	SL06022	WASHER D.6 UNI 6592 INOX	4,00			--
0009	VTRS15144	11051232	WASHER D. 6 INX GRW UNI 1751	4,00			--
0010	VTDD01695	SL05039	NUT M 8 INX	5,00			--
0011	MPVR10568		HANDWHEEL -	1,00			--
0012	MPVR05290		ROLLER SIDE BUMPER WHEEL	1,00			--
0013	LAFN03915	SL07390	BUSHING NUOVO RUOTINO STRONG	1,00			--
0014	VTVT00822	SL04329	SCREW TCEI M 8-30	1,00			--
0015	VTDD01694	SL05074	NUT M6 INOX	2,00			--
0016	MLML00470		SPRING -	1,00			--
0017	MFVR00242		DRIVE DISK CONICAL ALUMINIUM	1,00			--
0018	MLML00350		SPRING -	1,00			--
0019	VTRS15913	SL06107	WASHER D. 4 GROVER A2 UNI1751	1,00			--
0020	VTVT21887	SL04079	SCREW TCB-TC 4X10 8112	2,00			--
0021	VTVR16617		KEY 6X 6X30 UNI 6604	1,00			--
0022	SPPV01332		BRUSH D.500 NYLON	1,00			--
0023	VTRS13946	SL06025	WASHER D. 8 X24 INX UNI 6593	1,00			--
0024	VTRS15146	05519	WASHER D. 8 INX GRW UNI 1751	1,00			--
0025	VTVT13938	75362	SCREW TE 8X20 UNI5739 INX	1,00			--
0026	MOCC00449		MOTOR BRUSH CT51-71 BT55	1,00			--
0026	MEVR02923		CARBON MOCC00449-MOCC00450	1,00			--
0027	MEEV00036		SOLENOID VALVE HOLE 8mm CLEANTIME	1,00			--
0028	VTRS00251	SL06031	WASHER 4-16 INOX A2	1,00			--
0029	ETET20123		LABEL -	1,00			--
0030	GUGO00164	SL03199	GASKET	1,00			--

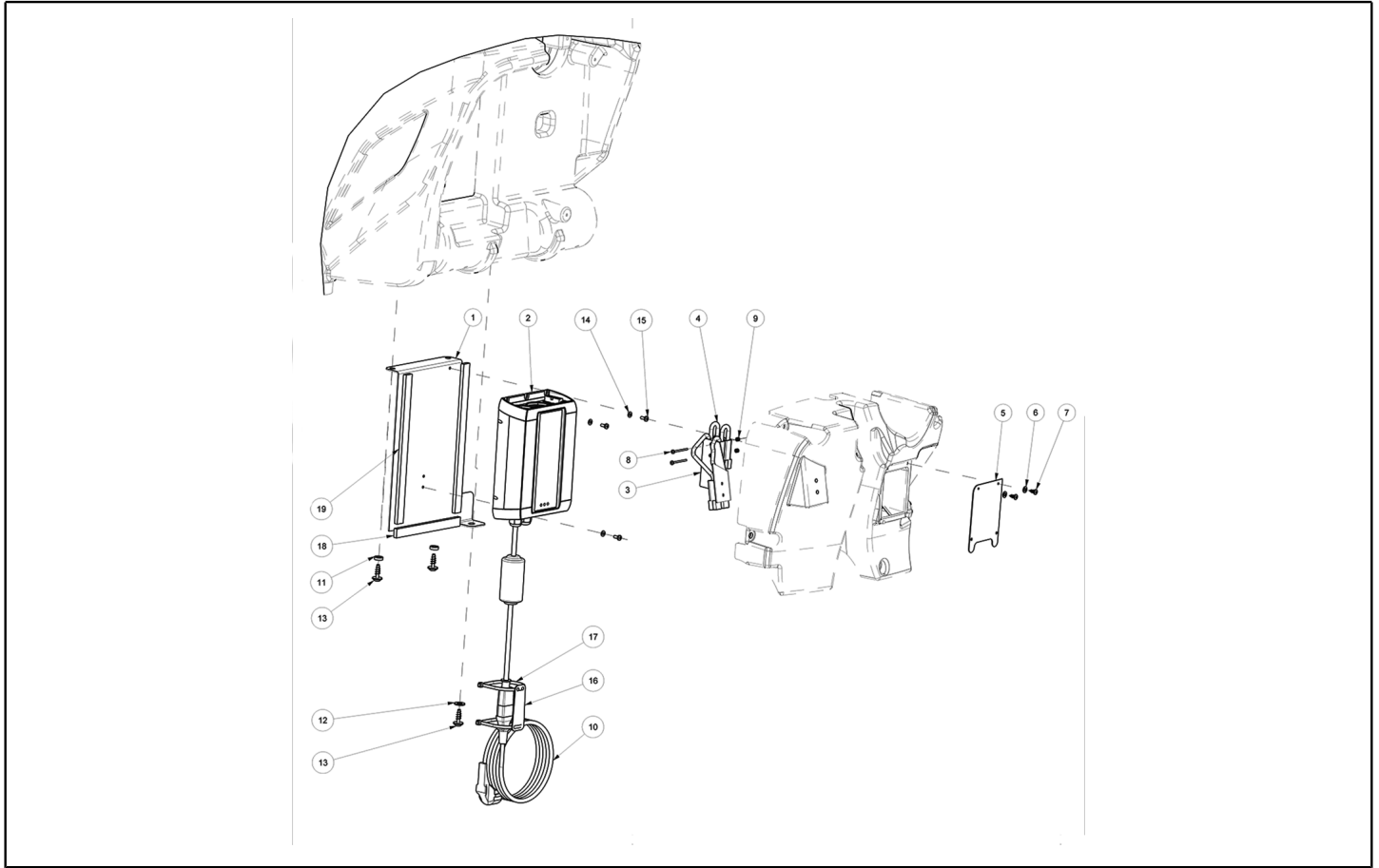




Ref. K	Part n.	Part n. 2	Description	Quantity	Validity		Price
					From	To	
0001	LAFN08235		PLATE -	1,00			--
0002	BACA00190		BATTERY-CHARGER CBHD1-XR 24-15	1,00			--
0003	LAFN11046		BRACKET -	1,00			--
0004	MECB01964		WIRING CONNECTION CHARGER/BATT.	1,00			--
0005	MPVR10745		PROTECTION TRANSPARENT POWER CORD	1,00			--
0006	VTRS00516	SL06034	WASHER D. 5 INX	2,00			--
0007	VTVT48694	SL04371	SCREW TCB TC 5 X12 UNI 9707 TZ	2,00			--
0008	VTVT00691	SL04120		2,00			--
0009	VTDD00210		NUT M 3 AUTOBL.DIN 985 IX.A2	2,00			--
0010	MECB00922		EXTENSION 3x0,75 SHUKO PLUG	1,00			--
0011	VTRS00383		WASHER -	2,00			--
0012	VTRS13947	75373	WASHER D. 8 INX UNI 6592	1,00			--
0013	VTVT01430		SCREW STS KN1038 8x22 - T40 A2	3,00			--
0014	VTRS00515	SL06032	WASHER D. 4 INX	3,00			--
0015	VTVT21887	SL04079	SCREW TCB-TC 4X10 8112	3,00			--
0016	MPVR11197		PLATE -	1,00			--
0017	FSVR00049	75098	CLAMP 4.5x200 black	2,00			--
0018	GUGO00589		GASKET CT51	1,00			--
0019	GUGO00590		GASKET CT51	2,00			--



Ref. K	Part n.	Part n. 2	Description	Quantity	Validity		Price
					From	To	
0001	FSVR00049	75098	CLAMP 4,5x200 black	2,00			--
0002	RCVR00483	SL18243	CONNECTOR 3 VIE	1,00			--
0003	TBFX01215		TUBE Di12 De17 L =30 mm	1,00			--
0004	TBBP00120	MP19100		1,02			--
0005	LAFN11229		BRACKET LEVEL TUBE	1,00			--
0006	MPVR05280		CLIP M25	2,00			--
0007	VTVT17720	SL04345	SCREW TCEI M 5X16 INOX	2,00			--
0008	VTRS00516	SL06034	WASHER D. 5 INX	2,00			--
0009	VTDD01693	SL05087	NUT M 5 INX	2,00			--
0010	FSVR00261		CLAMP	2,00			--
0011	RCVR00590		CONNECTOR 1/2 M RESCA 15	1,00			--
0012	GUGO00268	SL03630	GASKET D.21 SP.3 GOMMA	1,00			--
0013	RCVR00353	SL14382	CAP 1/2"G X ELETTROV. ACL	1,00			--
0014	FSVR00256		CLAMP -	2,00			--



Ref. K	Part n.	Part n. 2	Description	Quantity	Validity		Price
					From	To	
0001	LAFN08235		PLATE -	1,00			--
0002	BACA00253		BATTERY-CHARGER CBHD1-XR-P-24-15CT51cULus	1,00			--
0003	LAFN11046		BRACKET -	1,00			--
0004	MECB01964		WIRING CONNECTION CHARGER/BATT.	1,00			--
0005	MPVR10745		PROTECTION TRANSPARENT POWER CORD	1,00			--
0006	VTRS00516	SL06034	WASHER D. 5 INX	2,00			--
0007	VTVT48694	SL04371	SCREW TCB TC 5 X12 UNI 9707 TZ	2,00			--
0008	VTVT00691	SL04120		2,00			--
0009	VTDD00210		NUT M 3 AUTOBL.DIN 985 IX.A2	2,00			--
0010	BACA00253		BATTERY-CHARGER CBHD1-XR-P-24-15CT51cULus	1,00			--
0011	VTRS00383		WASHER -	2,00			--
0012	VTRS13947	75373	WASHER D. 8 INX UNI 6592	1,00			--
0013	VTVT01430		SCREW STS KN1038 8x22 - T40 A2	3,00			--
0014	VTRS00515	SL06032	WASHER D. 4 INX	3,00			--
0015	VTVT21887	SL04079	SCREW TCB-TC 4X10 8112	3,00			--
0016	MPVR11197		PLATE -	1,00			--
0017	FSVR00049	75098	CLAMP 4.5x200 black	2,00			--
0018	GUGO00589		GASKET CT51	1,00			--
0019	GUGO00590		GASKET CT51	2,00			--