

Canister Vacuums



IPC Eagle

Hospital Vac

Operations and Parts Manual



Models:
S9HOSPITAL

IMPORTANT SAFETY INSTRUCTIONS

When using an electrical appliance, basic precaution must always be followed, including the following:

READ ALL INSTRUCTIONS BEFORE USING THIS MACHINE.

This machine is for commercial use.

WARNING



DANGER: Failure to read and observe all DANGER statements could result in severe bodily injury or death. Read and observe all DANGER statements found in your Owner's Manual and on your machine.



WARNING: Failure to read and observe all WARNING statements could result in injury to you or to other personnel; property damage could occur as well. Read and observe all WARNING statements found in your Owner's Manual and on your machine.



CAUTION: Failure to read and observe all CAUTION statements could result in damage to the machine or to other property. Read and observe all CAUTION statements found in your Owner's Manual and your machine.



DANGER: Failure to read the Owner's Manual prior to operating or attempting any service or maintenance procedure to your machine could result in injury to you or to other personnel; damage to the machine or to other property could result as well. You must have training in the operation of this machine before using it. If you or your operator(s) cannot read English, have this manual explained fully before attempting to operate this machine.



DANGER: Operating a machine that is not completely or fully assembled could result in injury or property damage. Do not operate this machine until it is completely assembled. Inspect the machine carefully before operation. Use only as described in this manual. Use only the manufacturer's recommended attachments.



DANGER: Machines can cause an explosion when operated near flammable materials and vapors. Do not use this machine with or near fuels, grain dust, solvents, thinners, or other flammable materials.



DANGER: Do not pick up flammable fluids, dust or vapors.



DANGER: Do not vacuum anything that is burning or smoking, such as cigarettes, matches, or hot ashes.



DANGER: This machine is suitable for picking up health endangering dust with all filters in place properly.



DANGER: Using a machine with a damaged power cord could result in an electrocution. Do not use the machine if the power cord is damaged. Do not use the electrical cord to move the machine. Keep cord away from heated surfaces. Do not unplug by pulling on the cord; grasp the plug, not the cord. Turn off all controls before unplugging. Do not close a door on cord or pull around sharp edges or corners.



DANGER: Electrocution could occur if maintenance and repairs are performed on a unit that is not properly disconnected from the power source. Disconnect the power supply before attempting any maintenance or service.



Warning: Operating a machine without observing all labels, decals, etc., could result in injury or damage. Read all machine labels before attempting to operate the machine. Make sure all of the labels are attached or fastened to the machine. Get replacement labels and decals from the manufacturer's distributor.



Warning: Electrical components can "short-out" if exposed to water or moisture. Keep the electrical components of the machine dry. Always store the machine in a dry area.



Warning: Use of this machine to move other objects or to climb on could result in injury to the operator or damage to the machine. Do not use this machine as a step or furniture. Do not allow to be used as a toy. Close attention is necessary when used by or near children.



Warning: Moving parts of this machine can cause injury and/or damage. Keep hands, feet, loose clothing, hair, fingers, and all parts of the body away from openings and moving parts.



Warning: Electrocutation could occur if you handle the plug or appliance with wet hands. Do not handle plug or appliance with wet hands.



Warning: Do not use without dust bag and or filters in place.



Warning: Rotating fan blades inside the cover. Before opening cover, switch off machine. Wait until the fan/brush stops completely or dust and debris may be ejected.



Warning: If the machine is not working properly, has been dropped, damaged, left outdoors, or dropped into water, return it to an Authorized service center.



Warning: Damage could occur to machine if openings are blocked. Do not put any object into openings. Do not use any opening blocked: keep free of dust, lint, hair, and anything that may reduce air flow.



Warning: Injury could occur to the operator or the machine if used without the dust bag and/or filters in place. Do not use the machine without the dust bag and/or filters in place.



Warning: Injury to the operator and/or damage to the machine could occur when cleaning on stairs, unless caution is used. Use extreme caution when cleaning on stairs.

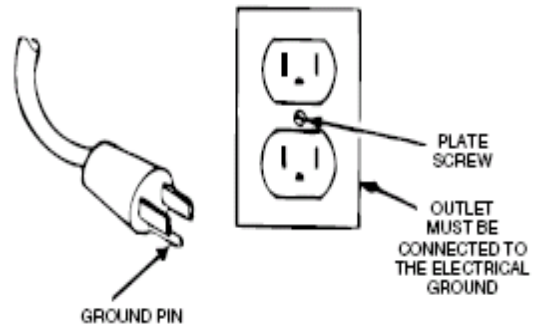


Warning: To reduce the risk of electrical shock, always use a 3-wire electrical system connected to the electrical ground. Whenever possible connect the machine to an outlet protected by a ground fault interrupter (GFCI). See "Grounding Instructions."

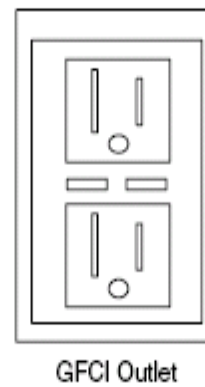
SAVE THESE INSTRUCTIONS

120 Volt Machine Instructions For Connection To The Power Supply And The Electrical Ground

This machine must be connected to the electrical ground to protect the operator from electrical shock. The machine has an approved power cord with three conductors and a plug with three terminals. Connect the plug to a receptacle that has three holes and is connected to the electrical ground. The green (or green and yellow) conductor in the cord is the ground wire. Never connect this wire to any terminal other than the ground terminal.



This machine uses a 120 volt AC 60 cycle electrical circuit. Make sure you have the correct frequency and voltage before connecting the power cord to an outlet. The machine has a plug as shown in Figure 1. If a receptacle connected to the electrical ground as shown in Figure 1 is not available, have one installed by an electrical contractor. **Do not use an adapter.**



Warning: To reduce the risk of electrical shock, protect the machine from rain. Keep the machine in a dry area.



Warning: To reduce the risk of electrical shock, always use a 3-wire electrical system connected to the electrical ground. Whenever possible connect the machine to an outlet protected by a ground fault interrupter (GFCI).



Warning: Do not cut, remove or break the ground pin. If the outlet does not fit the plug, consult your electrical contractor.



Warning: Have worn, cut or damaged cords and plugs replaced by an authorized service person.



Warning: If it becomes necessary to use an extension cord to reach an electrical outlet, you must use one that is at least one size larger in wire size. Such as a power cord that is marked 12/3 would need to use an extension cord that is marked 10/3. Do not use an extension cord that is undersized.

IMPORTANT INSTRUCTIONS

- Before use the equipment must be correctly assembled with all of its components
- Check that the electrical outlet is correct for use with the plug on the machine
- Before connecting, check that the specified motor voltage corresponds to the main voltage available
- Never use the equipment near flammable, explosive or toxic substances: sparks from the motor could cause dangerous reactions.
- Always unplug the machine from the electrical outlet when leaving machine unattended or before attempting any repair.
- Service and repair should be done by qualified personnel only. Use only original manufacturer's replacement parts.

Operation

This machine is a commercial vacuum designed for dry pick up only. And must be stored in a dry location.

1. Attach paper bag to tank inlet deflector. See Figure 1.
2. Ensure that the cartridge filter is securely attached to the bottom of the vacuum head. See Figure 2.
3. Insert basket filter into the tank opening.
4. Place vacuum head onto the tank and secure it with the two clamps.
5. Insert hose into the tank inlet until it locks in place. See Figure 3.
6. Attach appropriate cleaning tool. For optional power brush attachment, see Power Head and Wand Assembly.
7. Activate the vacuum by pressing the switch on the vacuum head.



Figure 1



Figure 2



Figure 3

After Use

1. Store the cord on the hook.
2. Store the appliance indoors, away from sources of heat.
3. This appliance is provided with an automatically reset thermal limiter to avoid damage to motor. If thermal limiter operates do one or more of the following:
 - Change the bag
 - Clean or replace the cartridge filter
 - Check hose and tank inlet for any obstructions
 - Wait a few minutes for the thermal limiter to re-close the circuit

Power Head and Wand Assembly Instructions

1. Slide on the two collars as pictured. See Figure 1
2. Insert wand into the power head neck until it stops. Slide the small collar into the neck of the power head. Screw the large collar onto the power head until tight. See Figure 2
3. Firmly press the two wands together.
4. Firmly press the upper bent wand into the straight wand.
5. Attach two cord hangers to wand and cord. See Figure 3
6. Evenly attach 3 cord hangers to the hose and cord.
7. Plug power head into the power head receptacle. See Figure 4



Figure 1



Figure 2



Figure 3

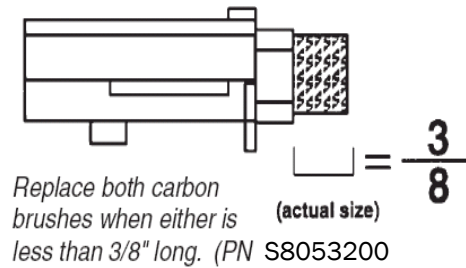


Figure 4

Periodic Maintenance

(Every six to twelve months)

1. Check filter for wear, replace dirt saturated filters that do not respond to normal cleaning.
2. Inspect gasket seals and replace those which have begun to leak.
3. Examine carbon motor brushes and commutator.



Servicing The Filter

The filter is accessed by lifting the head assembly off the tank.

The Polyester filter assembly is easily removed by simply lifting the filter basket out of the tank.

The cartridge filters they are removed very easily. First remove the filter retainer by turning the black knob 90 degrees counter-clockwise. The cartridge filter will then slide off of the support assembly.

Note:

- Be sure to frequently clean the filters.
- Allow filters to thoroughly air dry after washing them before returning them to the machine.
- Worn filters can affect vacuum performance. Replace the filters when they become worn out and normal cleaning will not restore vacuum performance.

Servicing The Vac Motor

Motor Replacement

1. Disconnect power cord from power source.
2. To access the vac motor, remove the screws that attach the main cover to the head assembly and set the cover to one side.
3. Disconnect the motor's 2 red lead wires from the main wiring bridge.
4. Disconnect green/yellow wire by removing the screw from the motor core.
5. Remove the four motor mounting screws.
6. Remove motor plate and set aside.
7. Take out the motor and remove the upper and lower gaskets.
8. Inspect gaskets. If they show signs of wear replace the.
9. Install gaskets onto new motor ensuring that they are properly seated.
10. Install the new motor. Make sure foam mufflers are positioned properly.
11. Attach motor plate to motor.
12. Connect green/yellow wire to motor core.
13. Connect motor's 2 red lead wires to main wiring bridge.
14. Re-assemble vac cover.
15. Test for proper operation.

Servicing The Vac Motor

Carbon Brush Replacement

(Replacement Carbon Brushes: Part# S8053200)

1. Disconnect power cord from power source.
2. To access the vac motor, remove the screws that attach the main cover to the head assembly and set the cover to one side.
3. Remove the screws that attach the inner cover to the head assembly and set aside.
4. Remove the carbon brush assembly by removing the 2 screws that attach it to the vac motor. See Figure 1
5. Slide off the carbon brush connector from the motor terminal. See Figure 2
6. Inspect armature commuator. If it is extremely pitted, grooved or not concentric then the motor will need to be replaced or sent to a qualified service center.
7. Reverse steps 6 through 4 to install new carbon brush and housing.
8. Repeat steps 4 through 7 for the other carbon brush.
9. Reverse steps 3 and 2 for re-assembly.
10. Test for proper operation.

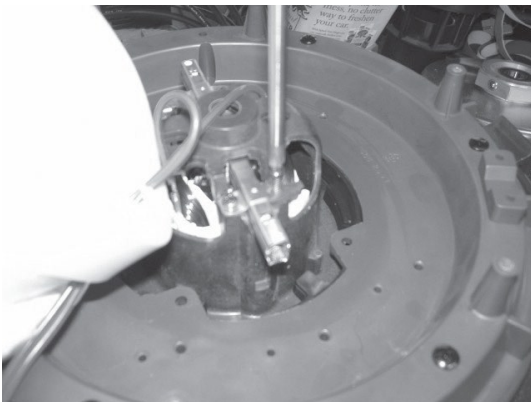


Figure 1

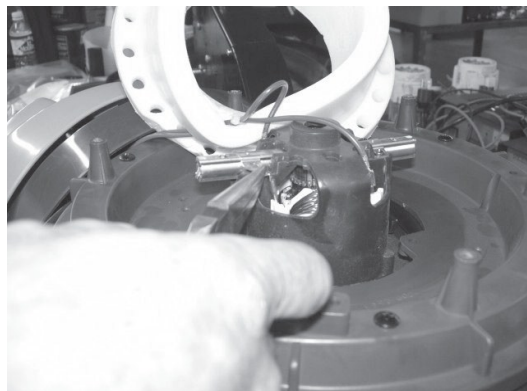
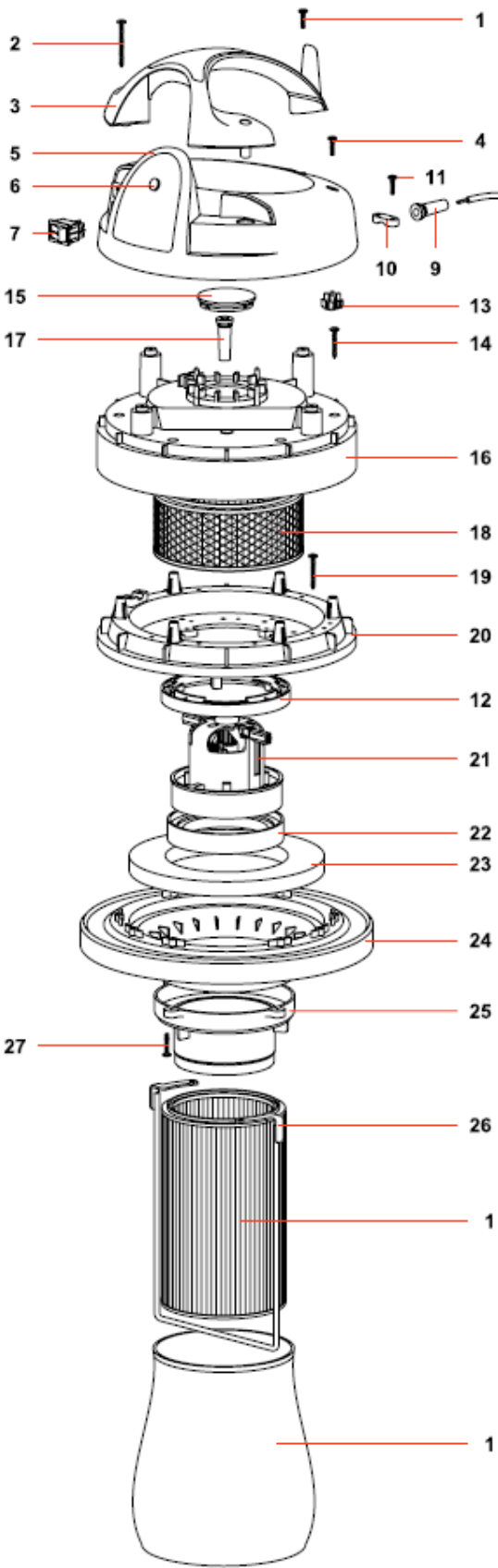


Figure 2

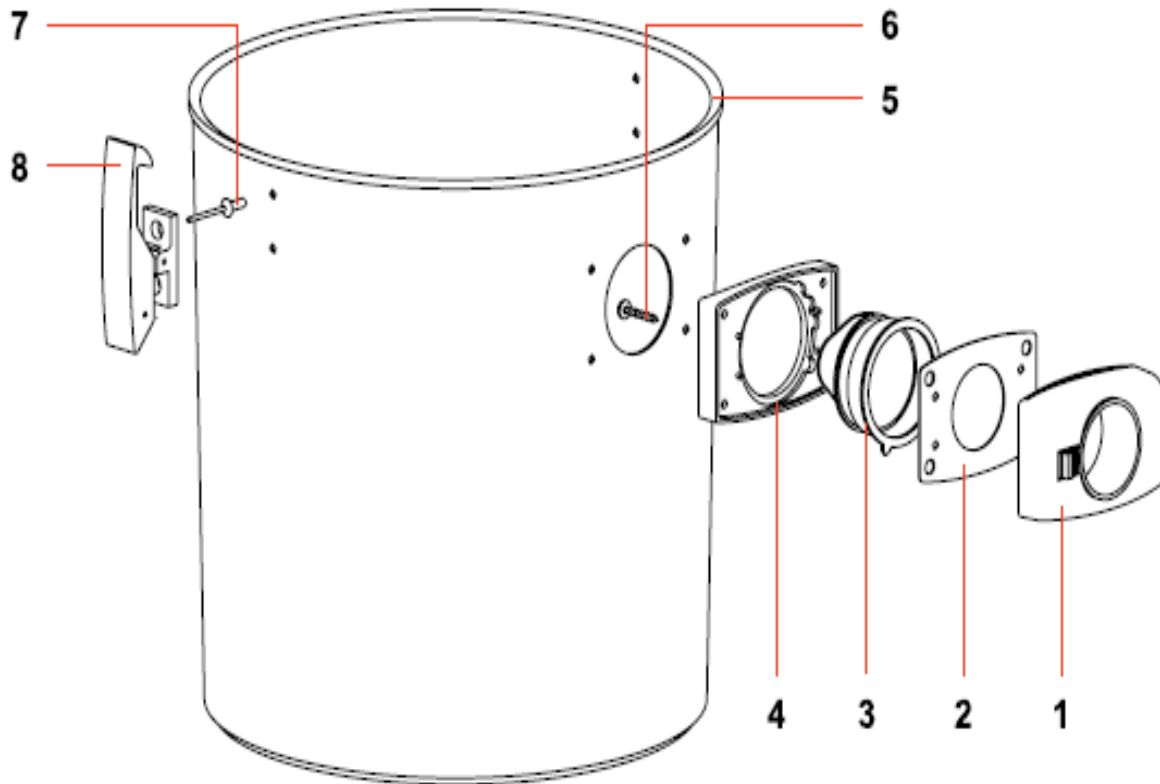


Item	Part #	Description	Qty.
1	S81006	Screw, 5x20	1
2	S83273	Screw, 5x55	2
3	S820725	Handle, Cover	1
4	S81006	Screw, 5x20	2
5	S820726SL	Cover, Top	1
6	S87603	Indicator Light	1
7	S80114	Switch	1
8	S83863	Cord	1
9	S80138	Strain Relief	1
10	S80139	Clamp, Cord	1
11	S81006	Screw, 5x20	1
12	S83935	Spacer	1
13	S86909	Terminal Strip	1
14	S81050	Screw, 5x35	6
15	S83383	Cap	1
16	S82738SL	Cover, Motor	1
17	S80138	Strain Relief	1
18	S87708	Filter, HEPA	1
19	S82627	Screw, 5x40	6
20	S82591SL	Plate, Motor	1
21	S83888TP	Motor	1
22	S87630	Gasket, Motor	1
23	S87635	Sound Dampener	1
24	S83190GSL	Base, W/Gasket	1
25	S87765	Support, Filter	1
26	S821036	Bracket, Filter	1
27	S83156	Screw, 5x20	4

Item	Part #	Description	Qty.
1	S87768	Filter, HEPA	1
1	S821177	Pre-Filter	1

Tank and Cart Assembly S9HOSPITAL

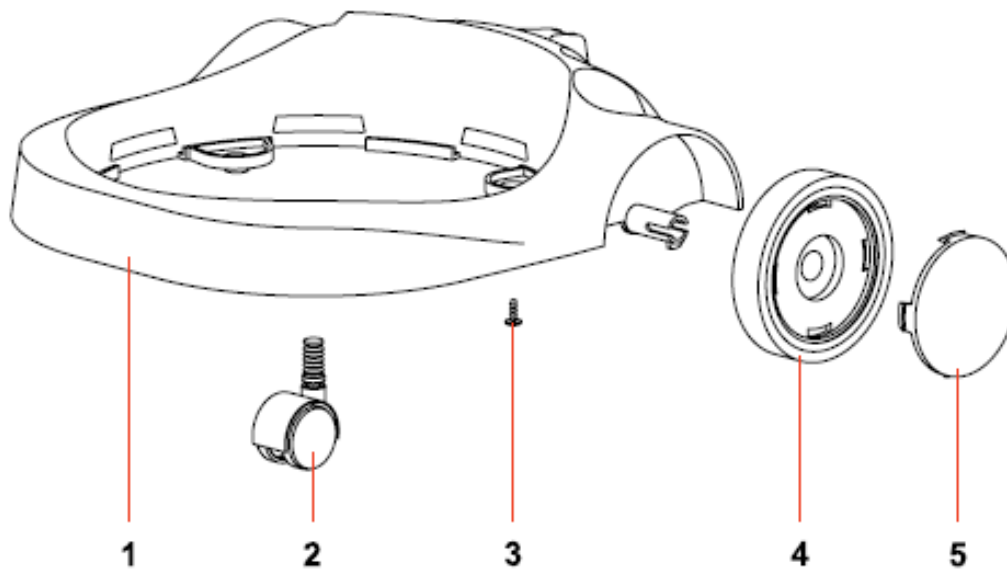
Tank Assembly



Item	Part#	Description	Qty
1	S82652A	Inlet Cover	1
2	S82846	Gasket, Inlet	1
3	S82593	Deflector	1
4	S82586	Inlet Cover Base	1
5	S821153	Tank	1
6	S81026	Screw 5x30	4
7	S81302	Rivet	4
8	S81847/S	Latch	2

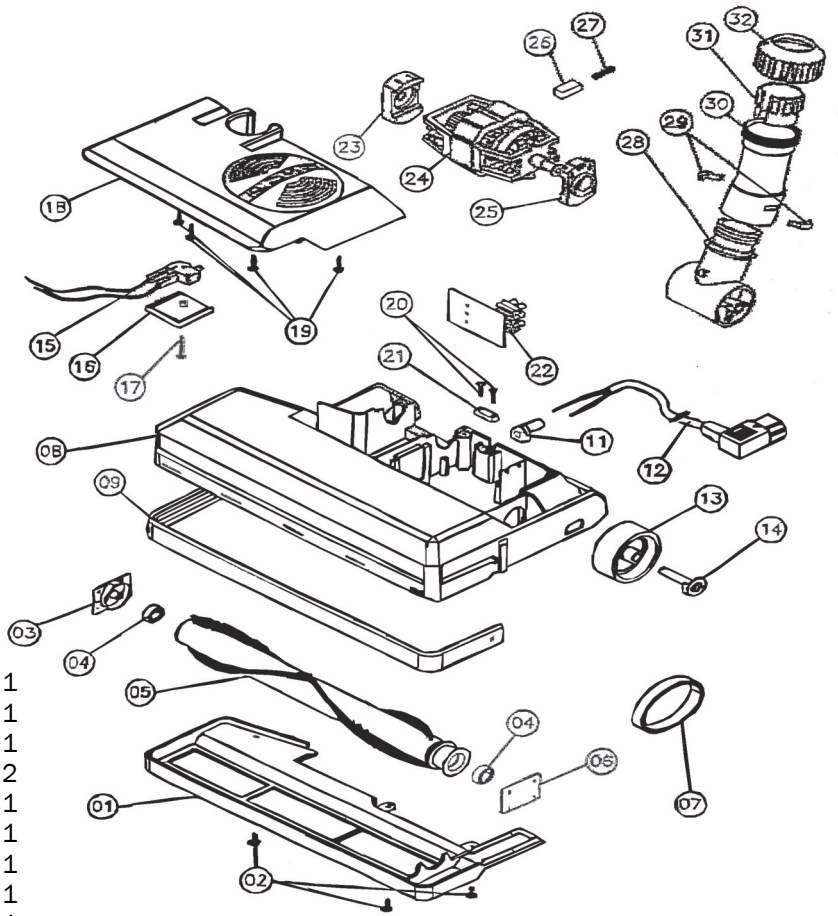
Tank and Cart Assembly S9HOSPITAL

Cart Assembly



Item	Part#	Description	Qty
1	S820744	Base	1
2	S80558	Caster, Swivel	2
3	S81005	Screw, M5x14	4
4	S86043	Wheel, Rear	2
5	S86044	Hub Cap	2

Power Head Assembly S70000

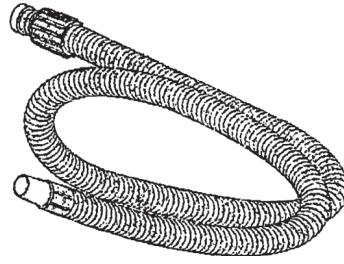


Item	Part#	Description	Qty
1	VCA1BAS350	Base	1
2	VCSA8VTEL	Screw Kit	1
3	VCA1SUPRSX	Right Side Plate	1
4	VC1108035000	Bearing	2
5	VCSA4R3N1	Roller Brush Complete	1
6	VCA1SUPRDX	Left Side Plate	1
7	VCA2CTRU	Belt, Poly V	1
8	VCA1CARNE3	Case	1
9	VCA2GUPANE	14" Bumper	1
11	VCAPASB	Grommet, Cord	1
12	VCSA3CAESTC	Base, Cord	1
13	VCA1R57	Wheel	2
14	VCA1PER	Pin, Wheel	2
15	VCSA1MIC	Microswitch, Complete	1
16	VCA1CMICP	Microswitch Cover	1
17	VCSA8VTEL	Screw Kit	1
18	VCA1CFSNEP	Top Cover	1
19	VCSA8VTEL	Screw Kit	1
20	VCSA8VTEL	Screw Kit	1
21	VCA1CABCC	Clamp, Cord	1
22	VCSA3MO3P	Connecting Terminal	1
23	VCA1SMPA	Motor Support, Rear	1
24	VCSA3MT2AC	Brush Motor, Complete	1
25	VCA1SMAA	Motor Support, Front	1
26	VCA3CAMT	Carbon Brush, Motor	2
27	VCA8MCMT	Carbon Spring, Motor	2
28	VCA1SNINE	Joint	1
29	VC11170070000	Clips	2
30	VCA1PSF	Neck	1
31	VCA1AFSE	Collar	1
32	VCA1GSEF	Collar, Locking	1

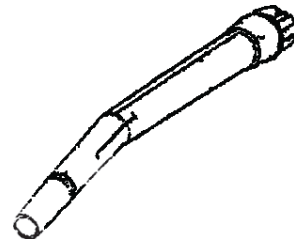
Tools



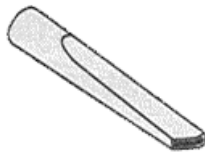
1



4



6



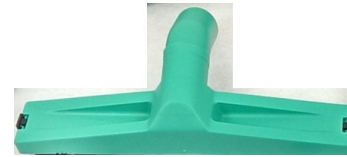
2



5



3



7

Item	Part#	Description	Qty
1	S70616	Hand Tool	1
2	S70617	Crevice Tool	1
3	S70004	Round Brush	1
4	S71685VHA	Hose	1
5	S76240VHA	Wand, Straight	2
6	S76158VHA	Wand, Curved	1
7	S706210VHA	Floor Nozzle	1

Filters

T80092	Paper Bags, 5/pkg
S87768	Hepa Filter, Cartridge Main
S87708	Hepa Filter, Cartridge Exhaust
S821177	Pre-Filter, Treated

Warranty Policy

Limited Warranty

IPC Eagle warrants new cleaning equipment against defects in material and workmanship under normal use and service to the original purchaser as detailed below.

3 years

Subject to the conditions stated below, IPC Eagle warrants all Polyethylene Tanks to be free from defects in materials and workmanship for a 3-year period. Parts replaced or repaired are warranted for the remainder of the original warranty period.

1 year

Subject to the conditions stated below, IPC Eagle warrants all other cleaning equipment components to be free from defects in materials and workmanship for a 1-year period. Parts replaced or repaired are warranted for the remainder of the original warranty period.

IPC Eagle will furnish and charge for replacement parts, including transportation, to the original owner through an IPC Eagle authorized service center. If the part is returned within 30 days and is found defective, the owner will be credited for the cost of the replacement part including shipping and handling.

Labor charges are covered for one year from the date of purchase if provided by an authorized IPC Eagle service center.

Wear items exempt from warranty include belts, carbon brushes, power cords, wheels, brushes, pads, handle grips, filters, screens, hoses, and squeegees.

This warranty shall not apply to failures caused by misuse or abuse, improper maintenance as stated in the operation manuals, use of unauthorized repair parts, repairs by other than an IPC Eagle authorized service center, and damage in transit.

IPC Eagle disclaims and denies any liability for any direct, indirect, special incidental or consequential damage which may be suffered as a result of sale, delivery, servicing, use, loss of any product, downtime, labor, freight, or other charges not expressly included herein.



IPC Eagle

3650 Dodd Rd • Eagan, MN 55123
651.686.5399 • Fax 651.686.5695 • 800.486.2775
www.ipceagle.com

IPC Eagle Corporation Sales and Service Provided By: