

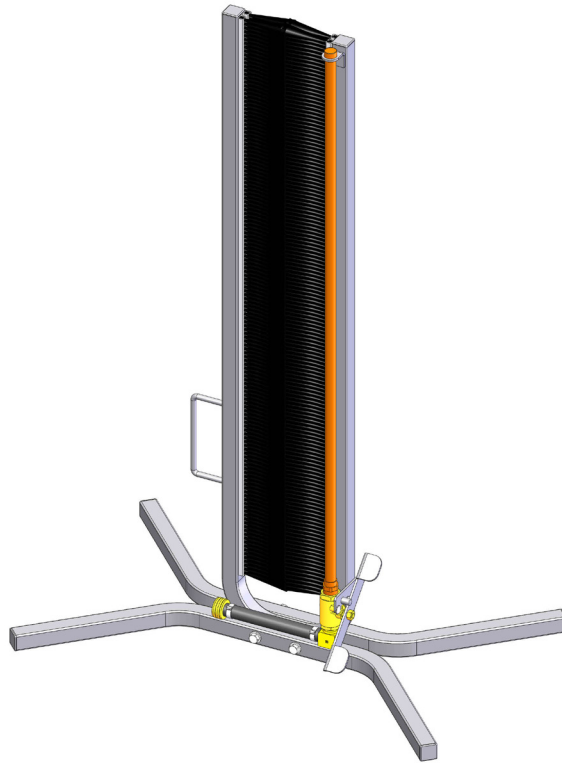


# IPC Eagle

## Screen Washer II

*The professional choice for cleaning screens!*

# OWNERS MANUAL



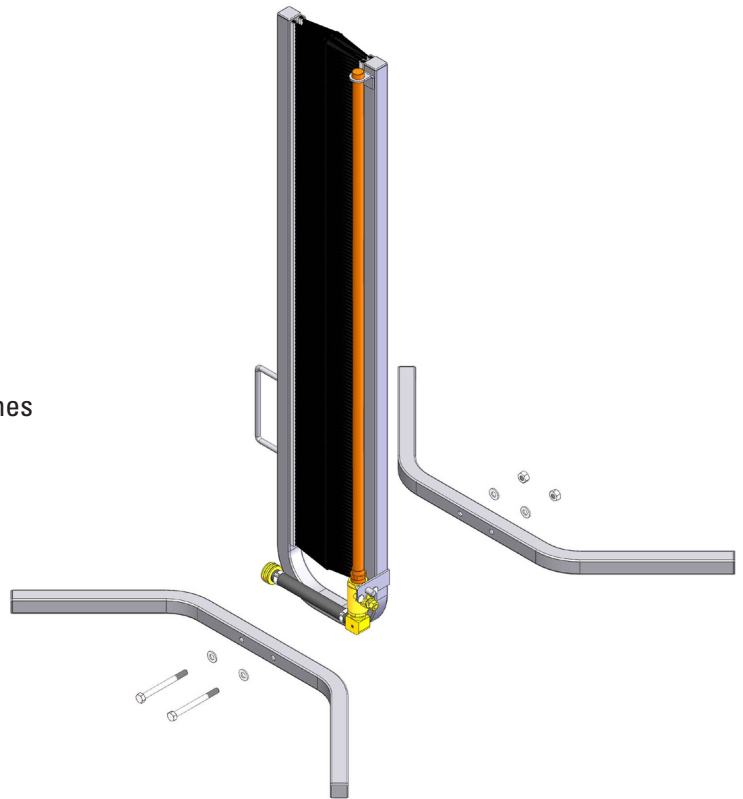
The **Screen Washer II** is a portable and professionally designed tool that provides a quick and easy method for cleaning screens. Uses only tap water as the cleaning solution, no chemicals needed. Thoroughly cleans the entire screen and frame. Virtually eliminates screen damage by cleaning both side of the screen at the same time.

# Assembly

## Step 1. Attach legs to frame.

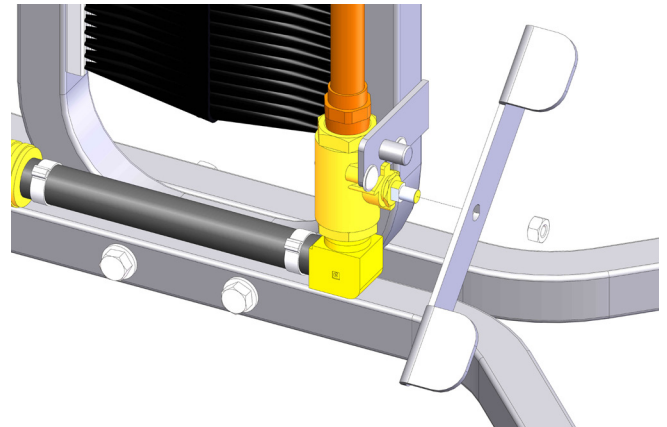
- A. Place washers on both of the 3 ½" long bolts. Insert the bolts through one leg, then through the frame, then through the other leg as shown.
- B. Place a washer and Nylock nut on each bolt.
- C. Tighten using (2) ½" wrenches or adjustable wrenches until tight, DO NOT OVERTIGHTEN

**NOTE: Warning** - overtightening of the leg attachment bolts may cause the top bristles of the screen washer to flare apart, causing a gap between the bristles. If this happens, push both of the outside tubes inward towards the centers until the gap is closed. If bristles are too far in pull the outside tubes apart to the desired amount of overlap. IPC Eagle recommends approximately 1/4" overlap of the bristles.



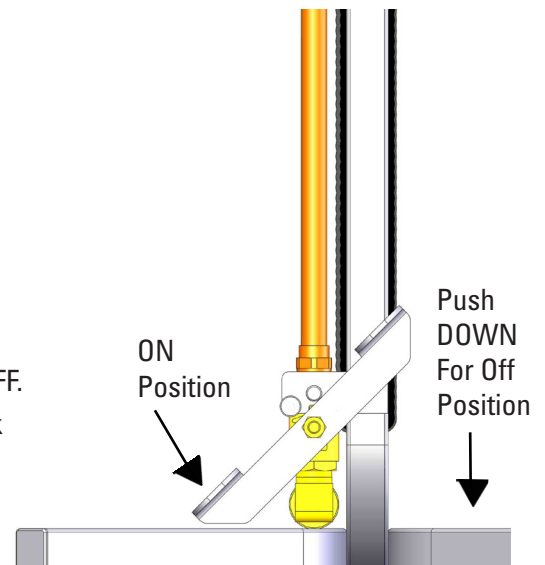
## Step 2. Attach Foot Control Lever to ball valve.

- A. Remove nut from stem of ball valve.
- B. Align flats of hole on lever with flats on stem of ball valve.
- C. Push lever all the way onto stem
- D. Reinstall nut and tighten



# Operation

1. Place unit on flat surface in the area where you want to clean screens.
2. Attach a garden hose to the Screen Washer II.
3. Put Foot Control Lever in the OFF position.
4. Turn on Garden hose water supply.
5. Remove screen(s) from window frame(s). Make note of correct screen location for proper reinstallation after cleaning.
6. Push down in Foot Control Lever to turn water ON.
7. Move screen through brushes in a back and forth motion to clean.
8. Rotate screen 4 times while scrubbing.
9. When finished cleaning, push down of Foot Control Lever to turn water OFF.
10. Tap screen frame on side of Screen Washer II or on hard surface to knock majority of water off from screen.
11. Set aside and allow to dry.
12. Reinstall clean screen on correct window frame.

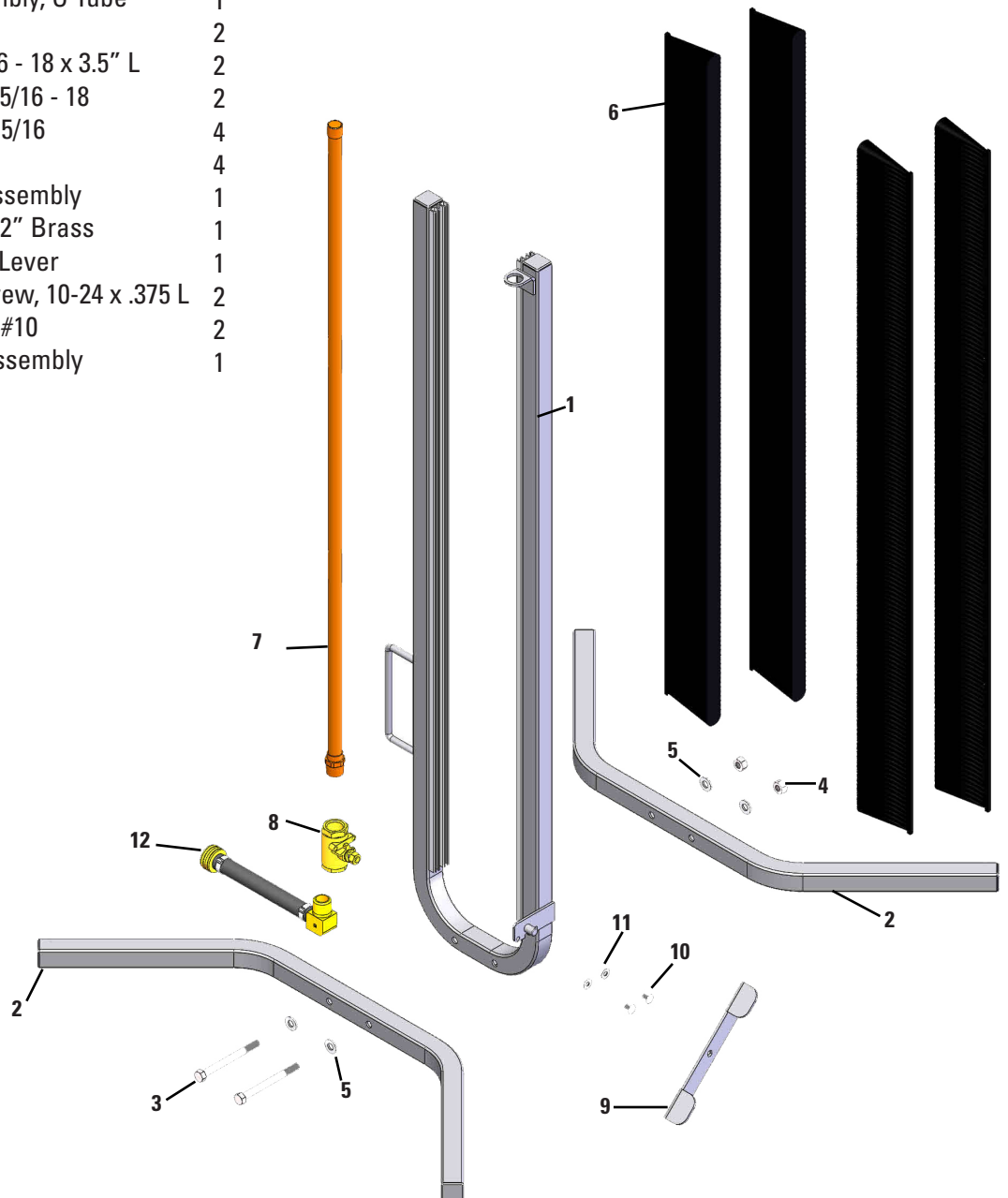


# Storage & Transportation

1. Turn off water supply to garden hose.
2. Push down on Foot Control Lever to the ON position to relieve the pressure from the garden hose.
3. Disconnect garden hose from Screen Washer II.
4. Allow water to drain from spray bar.
5. Store to protect brushes from damage.

## Parts List

Item #	Part #	Description	Qty
1	BD515268	Frame Assembly, U Tube	1
2	BD515269	Leg	2
3	BD411529	Hex Bolt, 5/16 - 18 x 3.5" L	2
4	BD442000	Nut, Nylock, 5/16 - 18	2
5	BD432001	Flat Washer, 5/16	4
6	BD545222	Strip Brush	4
7	BD500144	Spray Bar Assembly	1
8	BD515272	Ball Valve, 1/2" Brass	1
9	BD515273	Foot Control Lever	1
10	BD408010	Machine Screw, 10-24 x .375 L	2
11	BD430003	Flat Washer, #10	2
12	BD500145	Inlet Hose Assembly	1



# IPC Eagle Warranty Policy

## Limited Warranty

IPC Eagle warrants new cleaning equipment against defects in material and workmanship under normal use and service to the original purchaser as detailed below.

## 1 year

Subject to the conditions stated below, IPC Eagle warrants all other cleaning equipment components to be free from defects in materials and workmanship for a 1-year period. Parts replaced or repaired are warranted for the remainder of the original warranty period. Batteries are pro-rated for one year.

IPC Eagle will furnish and charge for replacement parts, including transportation, to the original owner through an IPC Eagle authorized service center. If the part is returned within 30 days and is found defective, the owner will be credited for the cost of the replacement part including shipping and handling.

Wear items exempt from warranty include hoses, fittings, valves, filters and membranes.

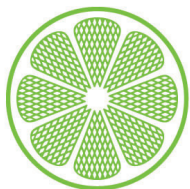
This warranty shall not apply to failures caused by misuse or abuse, improper maintenance as stated in the operation manuals, use of unauthorized repair parts, repairs by other than an IPC Eagle authorized service center, and damage in transit.

IPC Eagle disclaims and denies any liability for any direct, indirect, special incidental or consequential damage which may be suffered as a result of sale, delivery, servicing, use, loss of any product, downtime, labor, freight, or other charges not expressly included herein.

**Purchase Date** \_\_\_\_\_

**Purchased From:** \_\_\_\_\_

\*Please retain this manual in a safe place for future reference.



# IPC Eagle

IPC Eagle Corporation  
3650 Dodd Rd, Eagan, MN 55123  
651.686.5399 • Fax 651.686.5695 • 800.486.2775  
www.ipceagle.com

See our full line of  
window cleaning products  
from IPC Eagle at  
[www.ipceagle.com!](http://www.ipceagle.com)