

English (Translation of original instructions)

INTRODUCTION / GENERAL WARNINGS

Welcome on board!

We thank you for choosing IPC and congratulate you for purchasing the Genius 1050

A sweeper especially designed to guarantee safety and concern for the environment.

The innovative design, the robust and trustworthy structure and the recyclable components make Genius 1050 a truly unique machine. Before using your machine, we advise you to carefully read this handbook. It is an invaluable guide to the characteristics of your machine and will help you use it correctly.

In particular, it provides precious information concerning safety, integrity and concern for the environment.

INTRODUCTION

This instruction handbook contains guidelines and practical information concerning the use, adjustment and routine maintenance of your new machine.

Your machine has been designed and built to offer the best in terms of performance, comfort and ease-of-use in a variety of different conditions. Before delivery, your machine has been checked at our factory and by our dealer to guarantee that it is handed over to you in perfect working order. To maintain the machine in this condition and ensure problem-free operation, strictly follow the instructions given in the handbook. Before attempting to use the machine, read this handbook and keep it to hand for any future consultation. The words RIGHT and LEFT always refer to the direction in which the machine is travelling. If you have any doubts concerning the machine, do not hesitate to contact your dealer. Dealers will offer you competent personnel, original spare parts and all the equipment you will need. NEVER use the machine without its guards and safety systems. For your safety, make sure all guards and safety systems are closed and correctly mounted before starting the machine.

GENERAL SAFETY RULES

To prevent damage and bodily harm, strictly follow the safety rules below. Read the safety labels on the machine and do not cover them for any reason whatsoever. Replace them if they are damaged or become unreadable.

- The storage temperature ranges from 0° to + 50°C.
- The optimal working temperature should range from 0° and + 40°C.
- The ambient humidity must range from 30 to 95 %.
- Do not use the machine as means of transport.
- Do not use solvents or similar substances to clean the machine.
- Avoid running the brushes when the machine is still, to prevent damage the floor.
- Do not use the machine to draw up inflammable liquid.
- If fires break out, use a dry-chemical extinguisher. DO NOT USE WATER.
- Do not bump against shelves or scaffolding when there is a risk of objects falling over.
- Adapt the speed of the machine to the conditions of adherence.
- Avoid using the machine if its stability is not guaranteed.
- If you notice that the machine is not working properly, make sure this does not depend on failure to carry out the routine maintenance operations. If this

is not your case, contact an authorised service centre.

- Always use ORIGINAL spare parts. You can purchase these from a dealer or authorised retailer.

Disconnect the machine from the mains before carrying out any maintenance operation.

- Do not remove guards that need to be removed with the aid of tools.
- Do not wash the machine with direct jets of pressurised water or with corrosive substances.
- Every 200 hours of work, have the machine checked by an authorised service centre.
- This product is classified as RAEE type special waste and is covered by the requisites of the new environmental protection regulations (2002/96/CE RAEE). It must be disposed of separately from ordinary waste in compliance with current legislation and standards.



Special waste. Do not dispose of with ordinary waste.

- USE AND STORAGE IN ENVIRONMENTS WHERE THERE IS A RISK OF EXPLOSION IS PROHIBITED.

MODIFICATIONS AND IMPROVEMENTS

Our company policy is based on the continuous improvement of our products. We therefore reserve the right to apply modifications and improvements whenever we believe these are necessary, without having to upgrade the machines previously sold.

SAFETY

Accident-prevention is also your responsibility.

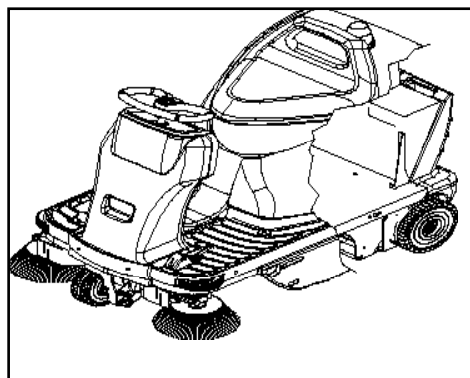
No accident-prevention plan can be effective without the total co-operation of the person directly responsible for machine operation. Most accidents that occur in a company, during work or transport are caused by failure to observe the basic rules concerning safety.

A careful and prudent user is the best guarantee against accidents and will prove to be much more effective than even the strictest accident-prevention plan.

During work, pay attention to the persons standing in the area to clean, especially children.

SERIAL NUMBER – CE MARKING

Make sure the machine is fitted with a plate featuring the serial number and the CE mark. It is affixed in the position shown in Fig. If the plate is not in place, contact your retailer immediately.



English (Translation of original instructions)

UNPACKING

Unpack your machine with great care, avoiding any manoeuvre that could lead to damage.

Once you have unpacked it, make sure all parts are in a good condition. If you notice any damage, DO NOT use the machine and contact your retailer immediately.

For reasons concerning packaging and transport, some parts and optional items may be supplied disassembled. To assemble them, follow the instructions given in this handbook in the respective sections.

Contents of the package

N° 1	Machine
N° 1 or 2	Side brush
N° 2	Keys for starting
N° 1	Use and maintenance handbook
N° 1	Declaration of conformity
N° 1	Warranty coupon
----	Batteries (if purchased)
N° 1	Battery connection kit
N° 1	Battery charger (if purchased)

The DP version also features the operating instructions of the engine.

If you notice that any of the above are missing, contact your retailer immediately.

NOTE To prevent it from getting lost during transport, the keys have been put inside the envelope containing the technical literature.

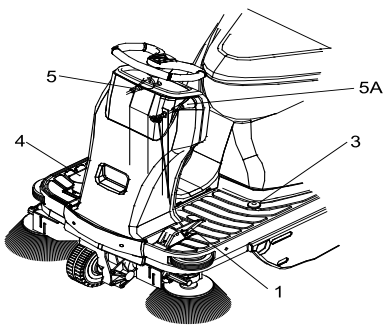
Make sure the packaging materials (bags – cartons – pallets – hooks – etc.) are put away, out of the reach of children.

Precautions to take before starting the machine:

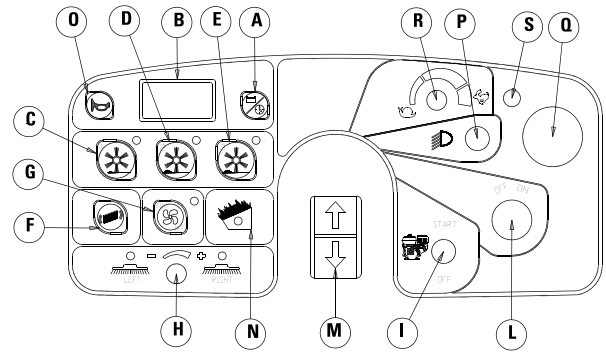
To facilitate transport, the side brush (or brushes) is not mounted in its expected working position.

To put it in place, read the – Preparing a new machine – section.

THE CONTROLS AND THE CONTROL PANEL



- 1) - Brake lock pedal and parking brake pedal
- 3) - Flap raising pedal
- 4) - Accelerator pedal
- 5) - Right hand side brush control lever
- 5A) - Left hand side brush control lever



- A) - Selection of displayed data
- B) - Display
- C) - Key and indicator of work programme 1
- D) - Key and indicator of work programme 2
- E) - Key and indicator of work programme 3
- F) - Filter shaker ON button
- G) - ON-OFF button and aspirator motor indicator
- H) - Side brush speed adjustment knob
- I) - Button to start/stop the engine (Dual Version)
- L) - Ignition key
- M) - Forward/reverse button
- N) - Waste bin "full" indicator (Optional)
- O) - Claxon
- P) - Light switch
- Q) - Emergency
- R) - Maximum speed adjustment knob
- S) - Drive board alarm indicator, identifies the error code on the board according to the frequency with which the LED flashes.

In the absence of malfunctions, the status LED is steadily on while the machine is in operation.

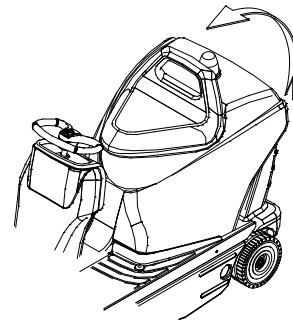
PREPARING THE MACHINE

Either in the petrol or in the DP version, the machine calls for a set of 24 V batteries.

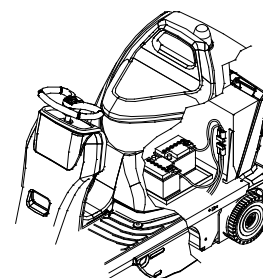
The machine can be supplied in three options:

1. Batteries supplied with the machine, fitted and filled with acid, ready for use.
2. Batteries supplied and fitted dry (without the liquid electrolyte).
3. Batteries not supplied.

Raise the bonnet carrying the seat by pushing it forward towards the steering wheel and check which option applies to your machine.



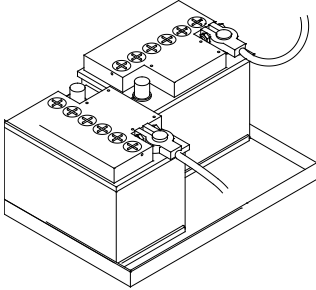
If the batteries are fitted, open up one of the vent caps of each battery and check if they are filled with electrolyte.



English (Translation of original instructions)

1 - If the batteries are already filled:

- Check the level of electrolyte and top up if necessary (use only distilled water).
- Recharge (see the MAINTENANCE section and the battery instruction handbook).



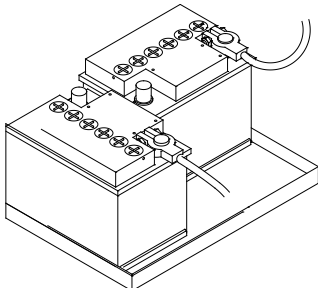
2 - If the batteries are supplied without liquid (i.e. dry), they must be filled with sulphuric acid (density from 1.27 to 1.29 kg at 25°C), according to the instructions given in the next paragraph and in the battery handbook.

Filling batteries with acid.

Pay particular attention when you are handling sulphuric acid. This substance is corrosive. If it comes into contact with your skin or eyes, wash with plenty of fresh water and seek medical assistance. Batteries must be filled in a ventilated area.

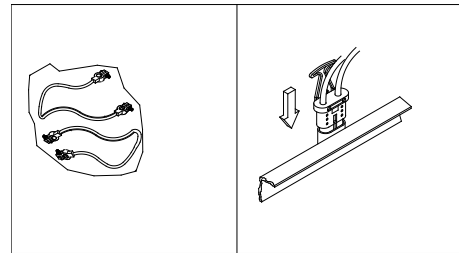
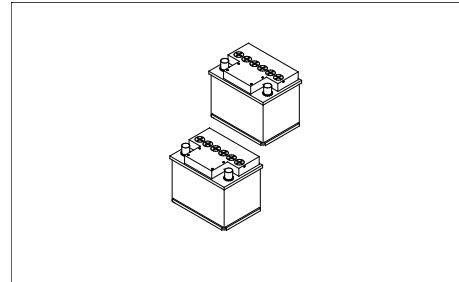


Fill the cells (or single elements) of the batteries with acid. The correct level is indicated in the battery instruction handbooks. After an hour, top up the cells, if necessary, with more acid.



Let the batteries rest – with the machine stopped – for another hour and then refill, in accordance to the instructions given in the handbook provided with the battery (refer to the “MAINTENANCE” section). During the charging operations, all battery caps must be open.

3- If the machine has been supplied without batteries, these must be purchased and installed accordingly. Competent battery specialists should preferably be contacted to choose and install the new batteries.

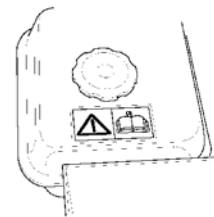


The electrical connection cables supplied with the machine may be used to connect the batteries.

Once the batteries have been installed, connect the battery connector to the machine.

If the machine is in the DP version, it must be filled with lead-free petrol, depending on the engine. A label indicating the kind of fuel to use is in any case applied near the fuel cap.

Check the level of oil in the engine (see the “MAINTENANCE” chapter).



English (Translation of original instructions)

REMOVING THE BATTERIES

When removing the batteries, the operator must be equipped with suitable personal protection devices (gloves, goggles, overalls, safety shoes, etc) to reduce the risk of accidents.

Make sure the switches on the control panel are in the "0" position (off) and the machine is turned off. Keep away from naked flames, do not short circuit the battery poles, do not cause sparks and do not smoke. Proceed as follows.

- disconnect the battery wiring and bridge terminals from the battery poles.
- if necessary, remove the devices fixing the battery to the base of the machine.
- lift the batteries from the compartment using suitable lifting equipment.

USING THE MACHINE

TURNING ON THE MACHINE

Fit in the ignition key and turn it clockwise. Three zeros will come up on the display for about three seconds, followed by the voltage rating of the battery.

The operator's seat features a safety device that disables traction (forward and reverse) when the operator gets up from his seat.

NOTE: temporary activation of the indicator lights on the console and of the horn is to be considered normal.

Let at least three seconds pass after you have turned off the machine, before turning it on again.

Check the state of the batteries on the appropriate display.

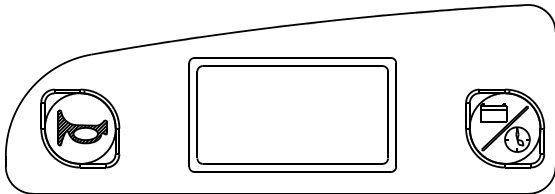
The display has two functions: Voltmeter and Hour meter.

The voltmeter features an undervoltage checking function which automatically disables all services, traction excluded, if the battery charge level drops below 20.5V ("FLAT BATTERY" flashes on the display)

In this case, recharge the battery (see the "MAINTENANCE" section and the battery handbook).

If the battery charge level is suitably high, you can start your work.

If the machine features a petrol engine, first start the engine.

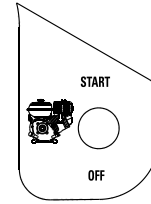


STARTING/STOPPING THE PETROL ENGINE

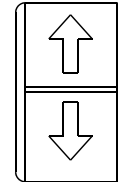
To start the endothermic engine, push toggle switch I towards its START position (see switchboard); the toggle switch will flick automatically back to its initial position.

N.B.: if the engine does not start immediately, the maximum activation time of the starter motor must not exceed 5 seconds for a petrol engine. These activation intervals can be repeated after a short resting time (approximately 8 - 10 sec.).

To stop the motor, flick toggle switch I to OFF.



When the machine is running with the endothermic engine, make sure the cooling fan is running too. If the alternator overheats, the overheating protection device it is fitted with will stop the machine with the "ENGINE PAUSE" error code.



To switch the machine ON, select either forward or reverse on the button on the steering wheel. Then press the accelerator pedal and the machine will start moving.

AUTO-POWER-ON/OFF

An automatic system turns the machine functions on and off automatically.

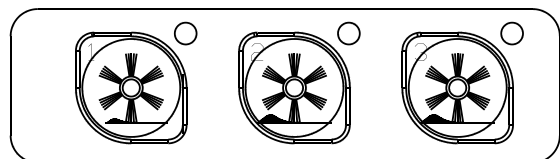
When one of the three work programmes is selected by pressing the P1, P2 or P3 button, the following functions are temporarily activated: centre brush, suction motor, side brushes. The LED of the chosen programme and the centre brush LED come on at the same time.

If the accelerator pedal is not pressed, after a few seconds the functions shut down and the three LEDs start flashing. The sweeper is now in AUTO-POWER-OFF mode. All functions are automatically reactivated when the user presses the accelerator pedal: AUTO-POWER-ON.

NOTE: When the accelerator is released all the machine functions are automatically switched off, with the exception of the endothermic engine, which will be switched off after approximately 6 seconds (AUTO POWER OFF).

USING THE WORK PROGRAMMES

After turning on the machine and starting the engine, if necessary, choose among the three available programmes, the one best suiting your requirements by pressing one of the three keys.



English (Translation of original instructions)

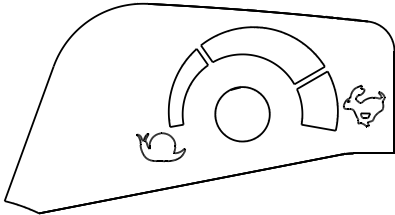
BUTTON 1 (Light cleaning, indoors, concrete, quartz, smooth floors, etc.)

BUTTON 2 (Medium cleaning, carpet or other surfaces)

BUTTON 3 (Heavy duty cleaning, outdoors, asphalt or rough surfaces with rubble, etc.).

NOTE: the parameters of programmes 1, 2 and 3 are factory set. To modify any of the settings, contact the retailer's service centre.

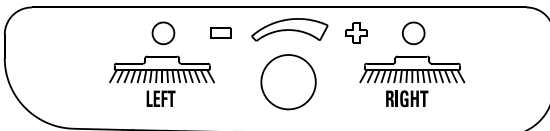
Adjust maximum forward movement speed according to the working conditions



Lower the left and/or right side brush by pulling out and lowering the relevant knob.

NOTE: the relevant left or right indicator light will come on. To move the brushes back to their OFF position, pull up the knobs.

The speed of the side brushes can be changed using the adjustment knob shown in the figure.



The machine features a red emergency stop button. Press this button (the red warning light will come on) to bring all machine functions, engine included, to an immediate stop. To restart the machine, press the red button down and start up the functions requested.

If you are using the machine on wet ground, it is essential to protect the machine's paper filters by turning off the aspirator motor with the ON/OFF button.

FURTHER PERFORMANCES OF THE MACHINE FEATURING AN ENGINE

The version featuring an engine can guarantee the same working efficiency even when the motor is off, for instance when the fuel has run out or when working in closed environments.

The working autonomy, in this case, will depend on the capacity (Amperes/hour) of the batteries installed, on the intensity of the work programme chosen and on the battery charge status.

To guarantee the working life of the batteries, the machine features some safety systems:

1- When the battery voltage drops below 20.5 Volt, all machine functions, with the exception of the traction system, are automatically stopped. When this situation occurs, recharge the batteries or turn on the engine.

2- Protection against excessive battery charging
Being fitted with a current generator featuring an electronic circuit, that acts as voltage regulator, the machine can correctly charge the battery without damaging it with an excessive charge.

In fact, when the battery has been properly charged, it will except no further charging energy.

3- Using the machine with a battery or engine

Further to the tests effected and the results obtained from the evaluation of the energy consumption of our hybrid system, we can affirm that Genius 1050 can work autonomously. In other words, the machine does not have to be stopped to recharge the set of batteries . Tests have been made with all three programmes at the user's disposal, namely P1, P2 and P3, on asphalted surfaces and normal slopes, and the sweeper has worked autonomously.

However, being the machine designed also for heavy duty working conditions (slopes of over 16%, extremely rough surfaces to clean), the batteries may need to be recharged.

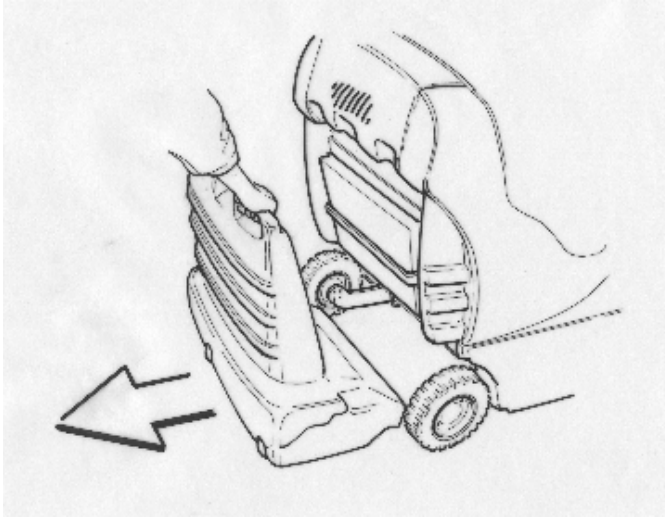
In this case, we recommend the use of an intelligent battery charge with a IUla charging curve and a final proportional charge, appropriately designed for this kind of machine and of a suitable size for the battery installed.

After you have ended your work, disable the selected programme (1-2-3) and turn off the engine by flicking the toggle switch 'I' to OFF.

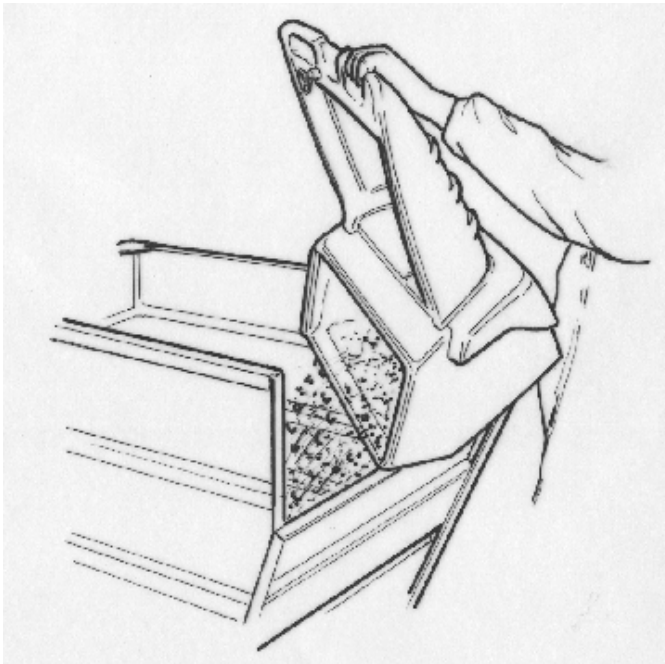
Before leaving the machine, make sure that the side brushes are raised from the floor, the parking brake is engaged and that the ignition key has been take out of the instrument board.

English (Translation of original instructions)

EMPTYING THE WASTE BIN



- 1-Move to the waste container.
- 2-Pull lever that locks/releases the bin.
- 3-Pull out the bin and empty it.
- 4-Refit the bin and lock it in place with lever



CLEANING AND SERVICING THE FILTER

The filter is a very important component of the machine and essential for correct operation. Proper filter maintenance will allow you to obtain the best performance from your machine. The filter can be cleaned in any of the following three ways:
1) by means of the automatic cleaning system
According to the chosen work programme, the machine is programmed to automatically clean the filter at regular preset

intervals.

- 2) by means of an electric filter shaker that is manually started

Just a simple command is needed to keep the filter in perfect working order: press the button marked 'F' and hold it down for a few seconds. Repeat this operation 4 or 5 times. Remember that the cleaner the filter, the better the results of your cleaning session. It is recommended to carry this operation out at the end of each work cycle.

NOTE: dusty environments

If you are using the machine in a dusty environment (e.g. sawmills – warehouses where haulage vehicles pass, etc.), it is a good idea to use the filter shaker more frequently.

- 3) by manually cleaning the filter

If operating the filter shaker is not enough to keep the filter clean - and in any case every 20 hours of work - clean the filter manually. Before carrying out any kind of intervention on the machine, make sure it is turned off and that all functions are deactivated. To obtain this condition, turn the switch marked 'L' to OFF.

- 1° Remove the rear box from the machine

- 2° Take the filter out of its seat by turning the two fixing handles.

- 3° Blow compressed air onto the side of the filter featuring the protective net (at a pressure of 6 bar at the most).

- 4° Refit the filters and the rear panel.

FITTING AND REPLACING THE SIDE BRUSHES

To facilitate transport, the side brush (or brushes) is not fitted in its expected working position.

To fit the brush in its correct working position, proceed as follows:

- 1- Pull up the brush knob.
- 2- Loosen the screw on the shaft of the side brush motor.
- 3- Remove the key protection.
- 4- Place the brush with its flange on the shaft.
- 5- Tighten the fixing screw.

To replace worn side brushes, carry out the operations listed above. Important : raise and lower the side brushes while the machine is running.

REPLACING LIGHT BULBS

To replace the front light bulb:

Remove the front cover by loosening the fixing screws.

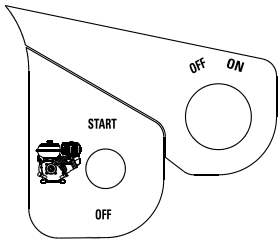
Replace the bulb, making sure that the new bulb has suitable electrical features.

Refit the front cover.

English (Translation of original instructions)

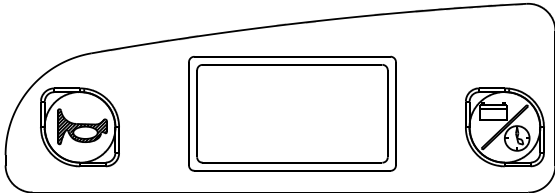
REPLACING THE CENTRE BRUSH

Caution: this operation must be carried out with the machine off and the key removed.



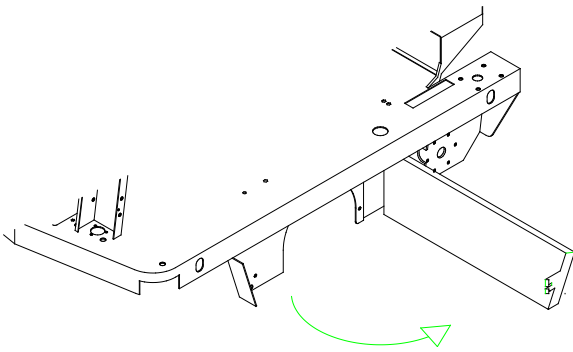
This machine features a system for automatically adjusting the pressure exerted and compensating for wear.

The need to replace the central brush is highlighted on the display by the wording "BRUSH WORN OUT"

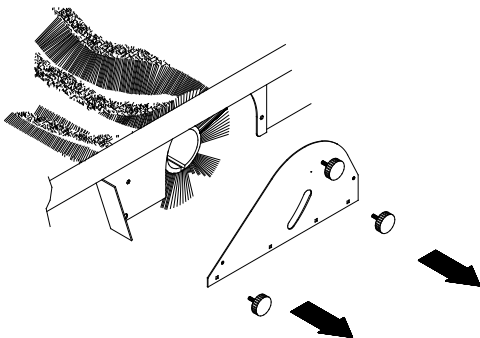


To replace the centre brush, proceed as follows:

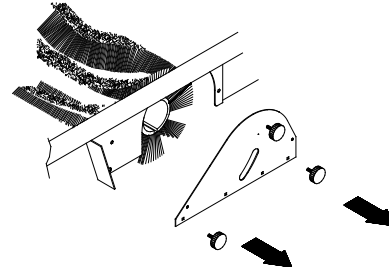
Open up the door on the left hand side of the machine by loosening the knob, as shown in the figure.



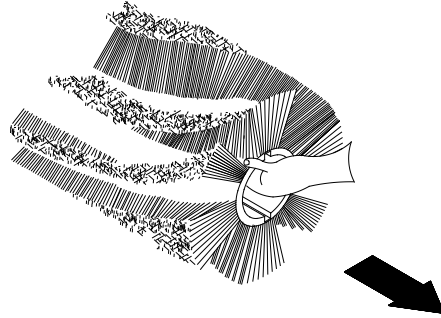
Unscrew and remove the knobs that fix the brush housing cover



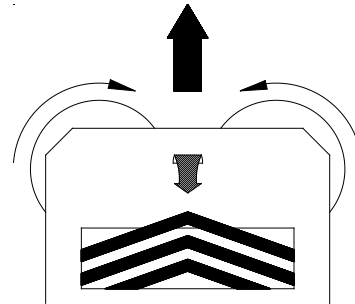
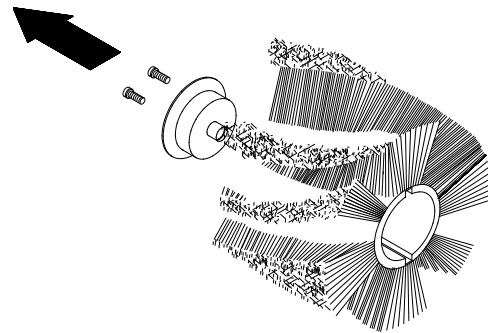
Remove the cover of the brush compartment.



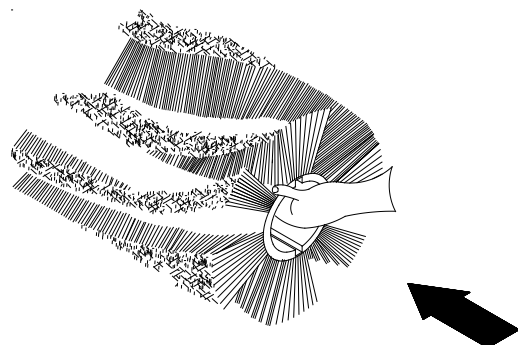
Remove the worn brush.



Remove the adapter of the brush stem and fit it onto the new brush. Maintain the same inclination of the bristles. (See the next figure).

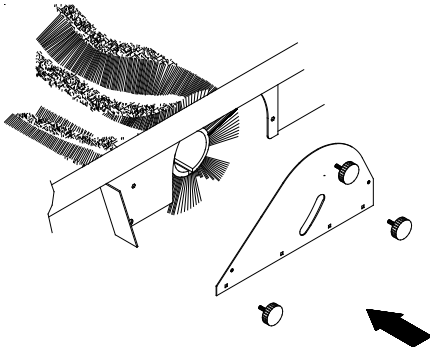


Refit the adapter and mount the new brush. Make sure the adapter is inserted into the hub.



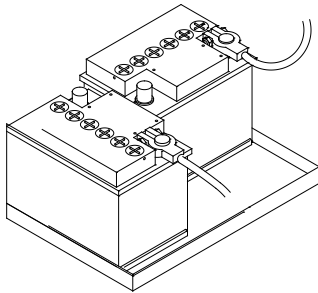
English (Translation of original instructions)

Refit the cover of the brush compartment and tighten the knobs by following the disassembly instructions in reverse order.

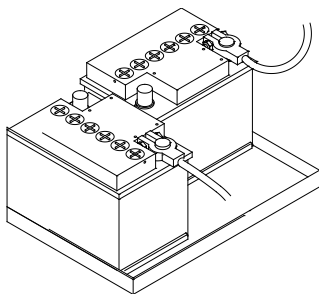


MAINTENANCE, CHECKING AND RECHARGING THE BATTERY

Check the level of electrolyte inside the batteries regularly. The battery compartment is under the operator's seat. Raise the bonnet and open the caps on the cells. If necessary, top up with distilled water. The level of electrolyte is indicated in the battery instruction handbook.

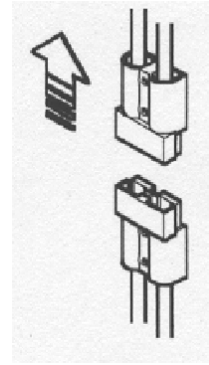


IMPORTANT: check the battery level every 100 hours. After you have filled the battery, close the cells with their caps and clean the top surface. Pay the utmost attention when you are handling the battery liquid, as it is corrosive. In the event of contact with your skin or eyes, wash with plenty of fresh water and seek medical assistance.

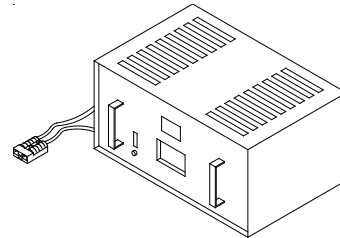


Whenever necessary, charge the battery according to the following instructions:

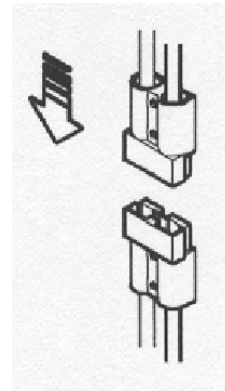
- Turn the machine off with the main key.
- Raise the bonnet.
- Disconnect the machine's battery connector.



- The battery must be recharged in a sufficiently ventilated area
- Open up all the caps of the battery cells.
- Connect the battery connector to the battery charger. Connect the battery charger to the mains (the mains voltage and frequency ratings must correspond to those of the battery charger).

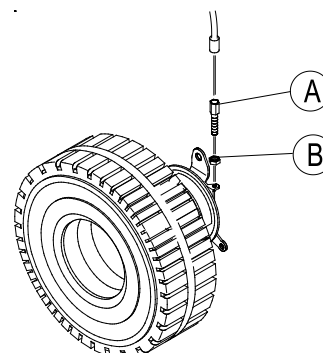


- After charging, disconnect the battery from the charger and hook it up to the machine. Put the caps back on and clean the top surface of the battery.



ADJUSTING THE BRAKE

If the service brake or parking brake is not effective enough, it can be adjusted by acting on the front wheel. Loosen locknut B by turning screw A and then tighten locknut B again.

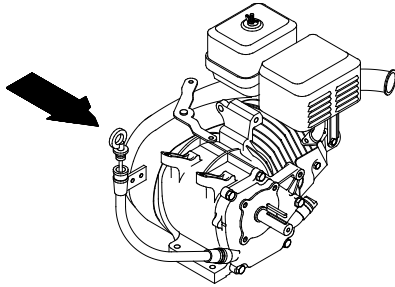


English (Translation of original instructions)

ENGINE MAINTENANCE

Take into account that it is necessary to carefully read the use and maintenance handbook of the engine. However, here is some practical advice:

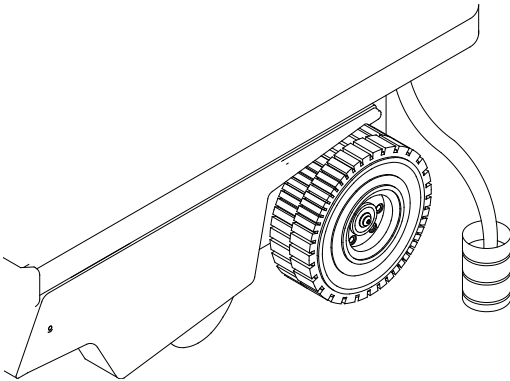
Check the level of oil in the engine at least once a month, using the dipstick. Top up using the oil indicated on the instruction handbook



NOTE: the engine oil must be replaced after the first 20 hours of work or in any case within a month. It is then sufficient to replace it every 100 hours of work or within 8 months.

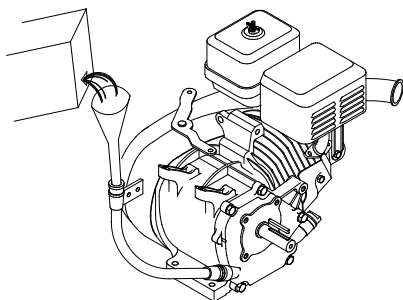
To replace the oil in the engine, proceed as follows:

- Remove the right hand side casing of the machine by loosening the fixing screws.
- Gain access to the oil drainage pipe.
- Unscrew the dipstick.
- Take the cap off the drainage pipe and let the exhaust oil drain out.



NOTE: oil should preferably be drained when the engine is hot.

Pour in new oil of the type and in the quantity indicated on the use and maintenance manual of the engine. Use only SAE 15/49 multigrade oil which ensures effective lubrication at an ambient temperature ranging from -15°C to over 40°C .



AIR FILTER OF THE ENGINE

Check the state of the engine's air filter regularly. If necessary, wash the sponge (pre-filter) with water and soap or a standard household detergent.

Rinse and dry.

When necessary, replace the air filter of the engine.

Refit the filter and cover.

Clean the fuel filter regularly.

Before carrying out any of the above operations, consult the use and maintenance handbook of the engine.

"OIL CHANGE" ALARM CODE

The OIL ALARM error code informs users, every 100 hours of work, that the oil of the endothermic engine needs to be replaced (this function is active in D.P. versions only). By pressing the key on the right of the display twice the endothermic engine partial working hour counter appears. This is a four-digit display: the first digit on the left (0-9 range) and the three remaining digits display the actual hours of work of the engine. When the engine has been running for 100 hours, the message "Oil change" starts flashing on the display. This means that the oil must be replaced (see the maintenance chapter in the engine handbook). After replacing the oil, users must reset the hour meter (see the maintenance chapter in the engine handbook), as described below:

A) press the key to the right of the display once to view the partial hour counter

B) press the key to the right of the display again for at least five seconds (the partial hour counter will be reset) The first digit on the display increases by one unit, so that the operator will know how many times oil has been replaced.

N.B.: If the engine oil is not replaced, every time the machine is switched on the operator will hear five acoustic warning signals, and on the display the wording "OIL CHANGE" will flash. The wording will disappear by pressing the key to the right of the display: in this way the display will return to the voltmeter and total hour counter screen.

English (Translation of original instructions)

SUMMARY TABLE

MAINTENANCE OF THE BATTERY VERSION

IMPORTANT: these operations must be carried out with the machine off and the key removed.

All routine and corrective maintenance operations must be effected by competent personnel or at an authorised service centre.

NOTE: the life of the battery strictly relates to regular periodic maintenance (checking the level and density of the electrolyte).

If the machine has not been used for a long time (for instance 4-6 weeks), it is in any case necessary to recharge the batteries to guarantee that the voltage level never drops below the threshold value of 20.5 V.

If not used, batteries tend to lose their charge.

A :	upon delivery
B :	every 30 hours
C :	every 50 hours
D :	every 100 hours
E :	every 400 hours

CHECK	A	B	C	D	E
Battery liquid and voltage levels	<input type="checkbox"/>	<input type="checkbox"/> or every 2 weeks			
Check the brushes (or charcoal) of all electric motors and replace if worn					<input type="checkbox"/>
Tightness of the belts	<input type="checkbox"/>			<input type="checkbox"/>	
Brake adjustment	<input type="checkbox"/>			<input type="checkbox"/>	
Filter shaker					
Tightness of the nuts and screws					<input type="checkbox"/>
State of the side brush			<input type="checkbox"/>		
Clean the panel filter			<input type="checkbox"/>		
Tightness of the bin, filter, flap gaskets	<input type="checkbox"/>		<input type="checkbox"/>		

English (Translation of original instructions)

TROUBLESHOOTING TABLE

SECURITY CODE	MACHINE BEHAVIOUR	ERROR DESCRIPTION	POSSIBLE INTERVENTION
MOTOR PAUSE	THE TRACTION IS BLOCKED	TRACTION ENGINE OVERHEATS TO 95°C OR THE ALTERNATOR OVERHEATS TO 150°C	HAVING GONE UP A STEEP SLOPE, THIS MAY BE NORMAL. LEAVE THE ENGINE TO COOL DOWN FOR 20 MINUTES. CHECK THAT THE COOLING FAN IS WORKING CORRECTLY. CHECK THAT THE BRAKE IS NOT BLOCKED. CHECK THAT THE TRACTION WHEEL SPINS FREELY.
TRACTION PAUSE	THE TRACTION IS BLOCKED	THE ELECTRONIC CONTROL CIRCUIT OVERHEATS TO > 85°C	IF THE ATMOSPHERIC TEMPERATURE IS HIGH, STOP THE MACHINE FOR 20 MINUTES AND THEN RESTART IT. IF THE PROBLEM PERSISTS, CALL THE SERVICE CENTRE
BRUSH CURRENT	THE OPERATING FUNCTIONS STOP	EXCESSIVE POWER DRAW OR CENTRAL BRUSH LOCK	CHECK THE BRUSH RUNS SMOOTHLY AND CHECK FOR ANY IMPEDIMENTS (STRING, NYLON OR OTHER)
CHANGE THE OIL	THIS APPEARS ONLY IF THE MACHINE IS FITTED WITH AN ENDOTHERMIC ENGINE	IT IS ACTIVATED ONLY AFTER 99 WORKING HOURS	ENGINE OIL REPLACEMENT SIGNAL (TO RESET PRESS THE DISPLAY BUTTON FOR 5 SECONDS ON THE OIL HOUR COUNTER SCREEN)
BATTERY RESERVE	WARNING THAT THE BATTERY IS ALMOST FLAT	THIS HAPPENS WHEN THE BATTERY VOLTAGE FALLS BELOW 21V	NO INTERVENTION REQUIRED OTHER THAN CHARGING THE BATTERY
FLAT BATTERY	THE MACHINE FUNCTIONS ALL STOP WITH THE EXCEPTION OF THE TRACTION	IF FOR 3 CONSECUTIVE SECONDS THE VOLTAGE READ BY THE KEY IS LESS THAN 20, 3V	RECHARGE THE BATTERY
BATTERY WORN OUT	THE MACHINE IS BLOCKED	IF FOR 3 CONSECUTIVE SECONDS THE VOLTAGE READ BY THE KEY IS LESS THAN 18V	RECHARGE THE BATTERY
BRUSH WORN OUT	THE MACHINE CONTINUES TO RUN	THE BRUSH NO LONGER APPLIES SUITABLE PRESSURE TO THE FLOOR AS IT IS WORN OUT	REPLACE THE CENTRAL BRUSH

English (Translation of original instructions)

Drive board alarms

If the machine drive is interrupted, the error code should be identified by means of the status LED.

In the absence of malfunctions, the status LED is steadily on while the machine is in operation. If a malfunction is detected, the status LED provides two types of information, a slow flash (2 Hz) or a rapid flash (4 Hz) to indicate the severity of the malfunction.

Malfunctions with a slow flash are cancelled automatically once the malfunction has been repaired and the machine functions normally again.

Malfunctions with a rapid flash ("*" in the table) are considered more serious. The machine must be turned off to reset operation after repairing the malfunction.

The indication of severity remains active for 10 seconds, after which the status LED flashes constantly showing a two digit malfunction code until the repairs have been carried out.

For example, error code "1,4" is displayed as follows:

□ □ □ □ □

example alarm code 1,4

LED CODES		DESCRIPTION
1.1	□ □	Overheating > 92°
1.2	□ □ □	Accelerator malfunction
1.3	□ □ □ □	Speed limiter potentiometer malfunction
1.4	□ □ □ □ □	Undervoltage malfunction
1.5	□ □ □ □ □ □	Overtoltage malfunction
2.1	□ □ □	Principal contactor actuator opening failure
2.3	□ □ □ □ □	Principal contactor actuator closing failure
3.1	□ □ □ □	Accelerator potentiometer malfunction
3.2	□ □ □ □ □	Brake activation malfunction
3.3	□ □ □ □ □ □	Low battery voltage
3.4	□ □ □ □ □ □ □	Brake deactivation malfunction
3.5	□ □ □ □ □ □ □ □	HPD malfunction (incorrect regulation of accelerator potentiometer)
4.1	□ □ □ □ □	Motor short circuit
4.2	□ □ □ □ □ □	Incorrect motor voltage/short circuit in motor
4.3	□ □ □ □ □ □ □	EEPROM malfunction
4.4	□ □ □ □ □ □ □ □	Short circuit in motor/EEPROM error