

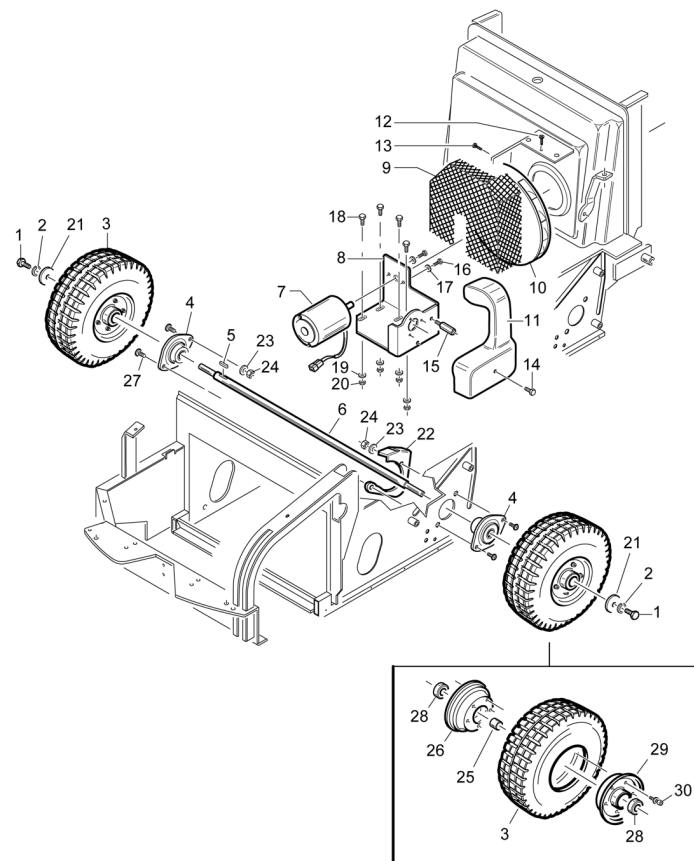


IPC

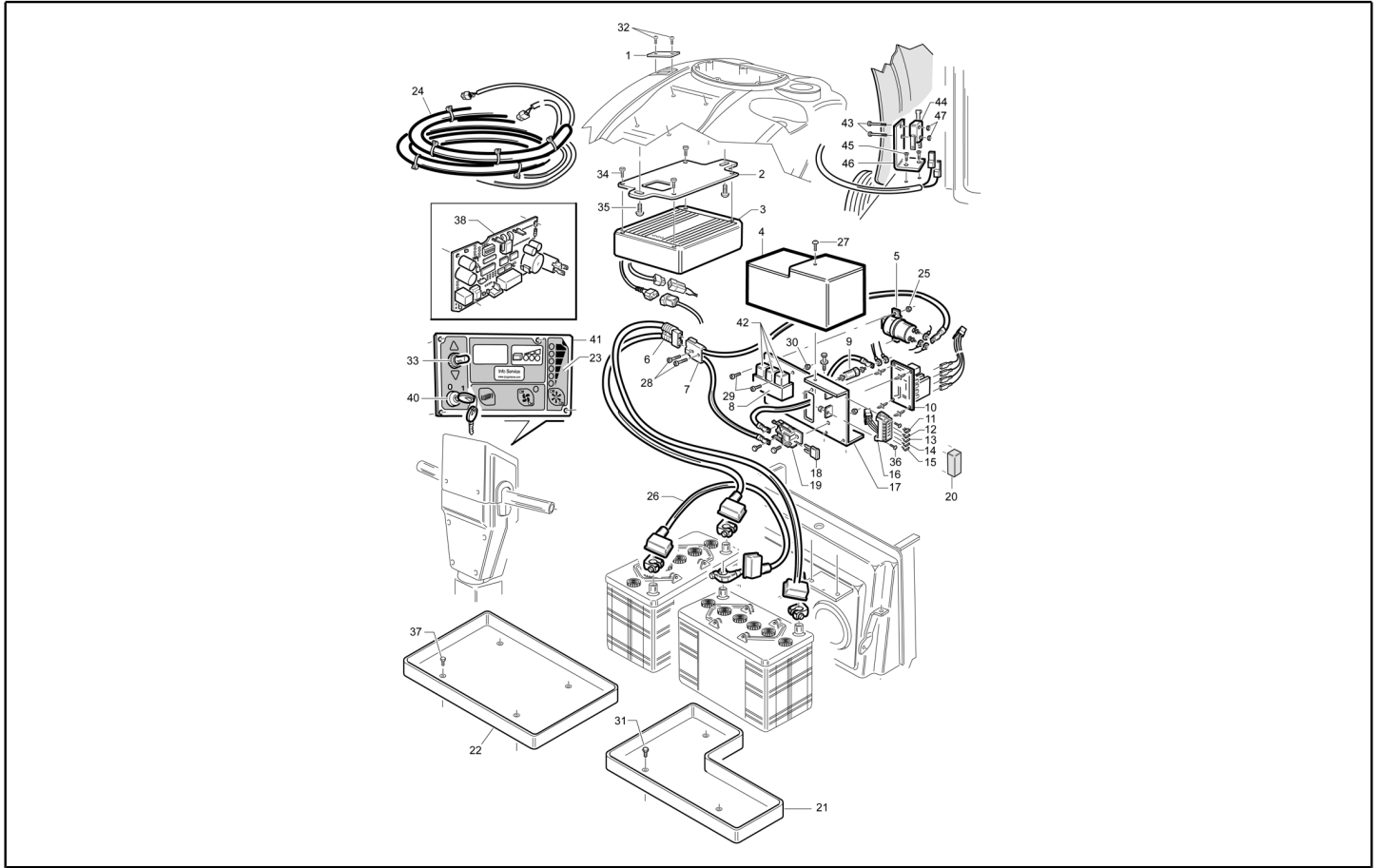
Spare parts list

Ref: MSUB00379

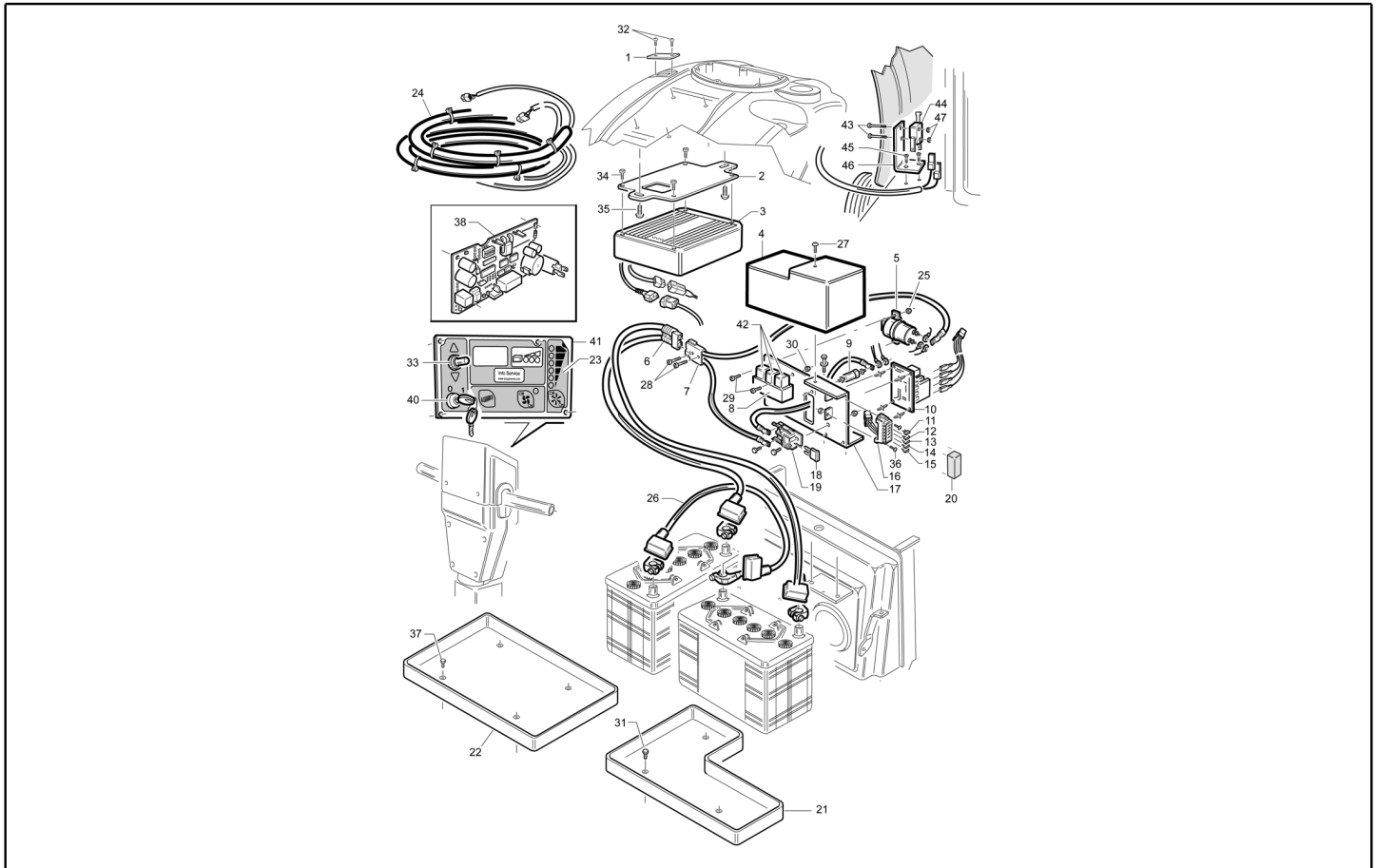
Model: SWEEPER 512 RIDER ET+CB+SF+CK



Ref. K	Part n.	Customer part n.	Description	Quantity	Validity		Price
					From	To	
0001	VTVT01531	05259	SCREW TE 6X 16 UNI 5739	2,00			--
0002	VTRS01079	05131	WASHER D. 6 GROWER	2,00			--
0003	RTRT00035	21601068	RING GOMMA RUOTA GRIGIA	2,00			--
0004	CUVR75815	1390017	BALL BEARING UBPF1203	2,00			--
0005	VTVR26559	1105461	KEY UNI 6604 5X5X15	1,00			--
0006	ALTR00091		SHAFT -	1,00			--
0007	MOCC45111	1340027	MOTOR D.77 ALBERO LISCIO 24V	1,00			--
0008	LAFN00652	2260026	SUPPORT MOTORI TK ZINCATO	1,00			--
0009	LAFN00885	2260415	BRACKET	1,00			--
0010	VEVR26677	1290002	IMPELLER ALLUMINIO D.200	1,00			--
0011	MPVR00611	2120412	CONVEYOR ARIA VERSIONE ELETTRICA	1,00		30/06/2008	--
0012	VTVT00045	1105364	SCREW AUTOF.TC UNI 6954 4,8X16	1,00			--
0013	VTVT00045	1105364	SCREW AUTOF.TC UNI 6954 4,8X16	1,00			--
0014	VTVT00527		SCREW TE FR 6X10 ZB ZIG.	1,00		30/06/2008	--
0015	LAFN00576	2230404	PIN FISS.CONVOGLIATORE ARIA	1,00		30/06/2008	--
0016	VTVT14062	1105022	SCREW TE UNI 5739 5X16 ZB A.8.8	2,00			--
0017	VTRS00291	SL06084	WASHER D. 5 X20 ZC UNI 6593	2,00			--
0018	VTVT62920	1105162	SCREW TE FR 6X16 ZB ZIGRINATE	4,00			--
0019	VTRS04026		WASHER D. 6X18X2.38	4,00			--
0020	VTDD00491		NUT M 6 TEF	4,00			--
0021	VTRS63242	1105325	WASHER UNI 6593 6X24X2 ZB	2,00			--
0022	LAFN07845		SLIDE -	1,00			--
0023	VTRS00503	05118	WASHER D. 6 TE UNI 6798	4,00			--
0024	VTDD00491		NUT M 6 TEF	4,00			--
0025	LAFN00275	21301024	SPACER INTERNO RUOTA POST.TK1300	2,00			--
0026	LAFN85380	22501005	HUB RUOTA POST.D124 H.33.5	2,00			--
0027	VTVT75721	1105222	SCREW TTDE UNI 5732 6X16 ZB	4,00			--
0028	CUVR00005	1390009	BEARING 6202 2RS	4,00			--
0029	LAFN85290	22501004	HUB ruota 124x57.5	2,00			--
0030	VTVT00066	1105517	SCREW TCCE UNI 5931 8X25 ZB	10,00			--

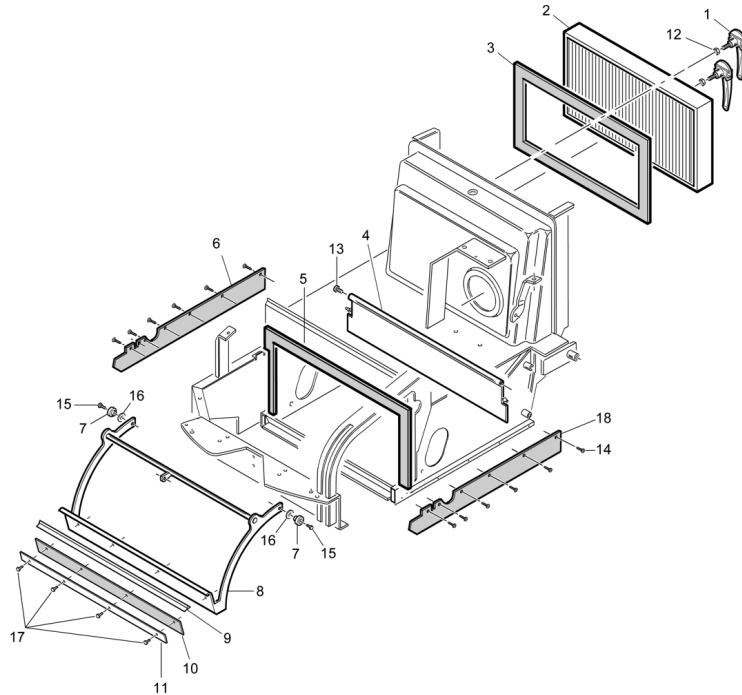


Ref. K	Part n.	Customer part n.	Description	Quantity	Validity		Price
					From	To	
0001	MPVR05254		FLANGE CARICABATTERIA	1,00			--
0002	LAFN07267		BRACKET 512-712	1,00			--
0003	BACA00123		BATTERY-CHARGER CBHD1 24V 10A	1,00			--
0004	MPVR05325		COVER 512-712	1,00			--
0005	METT00079		CONTACTOR E TL 10P 24V 100A	1,00			--
0006	MEVR01707		CONNECTOR -	1,00			--
0007	MECB01022		WIRING 512	1,00			--
0008	METT00053	SL23722	BLOCK PORTA RELE'	3,00			--
0009	MEVR01116	SL23103	SUPPORT FUSIBILE 120 A	1,00			--
0010	MECE00455		BOARD TRACTION 512-712 RIDER	1,00			--
0011	MEVR00584	70237	FUSE 3A	1,00			--
0012	MEVR00327	06907	FUSE 25A	1,00			--
0013	MEVR01133	SL23145	FUSE 15A 32V	1,00			--
0014	MEVR00327	06907	FUSE 25A	1,00			--
0015	MEVR01380	SL23892	FUSE A LAMA	1,00			--
0016	MEVR00567	70176	FUSE-HOLDER 6 VIE	1,00			--
0017	LAFN07370		SUPPORT RELE'	1,00			--
0018	MEVR00618	70392	FUSE 60A	1,00			--
0019	MEVR00613	70354	FUSE CARRIER MAXIVAL with cover	1,00			--
0020	MEVR00567	70176	FUSE-HOLDER 6 VIE	1,00			--
0021	MPVR05293		CONTAINER BATTERIE	1,00			--
0022	LAFN35588	SL17162-1	BATTERY SUPPORT LAV. BT	1,00			--
0023	ETET01538		LABEL 512-712	1,00			--
0024	MECB01022		WIRING 512	1,00			--
0025	VTDD00491		NUT M 6 TEF	1,00			--
0026	MEVR34820	SL23838	WIRING BATTERY BRIDGE W/TERMINAL	1,00			--
0027	VTVT00099	1105793	SCREW AUTOF.TC UNI 6954 3,9X13	1,00			--
0028	VTVT00021	1105071	SCREW TE UNI 5739 3X25 ZB	2,00			--
0029	VTVT13597	75212	SCREW EXAGONAL BOLT 6X12	2,00			--
0030	VTDD00491		NUT M 6 TEF	2,00			--
0031	VTVT00039	1105355	SCREW TC UNI 6954 3.5X10 AUTOF.	2,00			--
0032	VTVT00892	SL04421	SCREW	2,00			--
0033	MECI34120		SWITCH T 115-EA	1,00			--
0034	VTVT21887	SL04079	SCREW TCB-TC 4X10 8112	4,00			--
0035	VTVT00005	1105023	SCREW TE FR 5X12 ZB	2,00			--
0036	VTVT62916	75062	SCREW TE M5X12 ZN UNI 5739-8.8	2,00			--
0037	VTVT00039	1105355	SCREW TC UNI 6954 3.5X10 AUTOF.	2,00			--
0038	MECE00454		BOARD	1,00			--
0040	MECI75805	13801001	SWITCH A CHIAVE X MOTORI BATTER.	1,00		29/02/2008	--
0040	MECI00541		SELECTOR -	1,00	01/03/2008		--
0041	LAFN07272		BOARD 512-712	1,00			--
0042	MERL00006		SWITCH RELAY R502 024 H3M 1NO 80A	3,00			--
0043	VTVT00019	1105068	SCREW TE UNI 5739 3X20 ZB	2,00	25/10/2010		--
0044	MECI30642	SL23021	MICRO-SWITCH 11A 0.33HP	1,00	25/10/2010		--

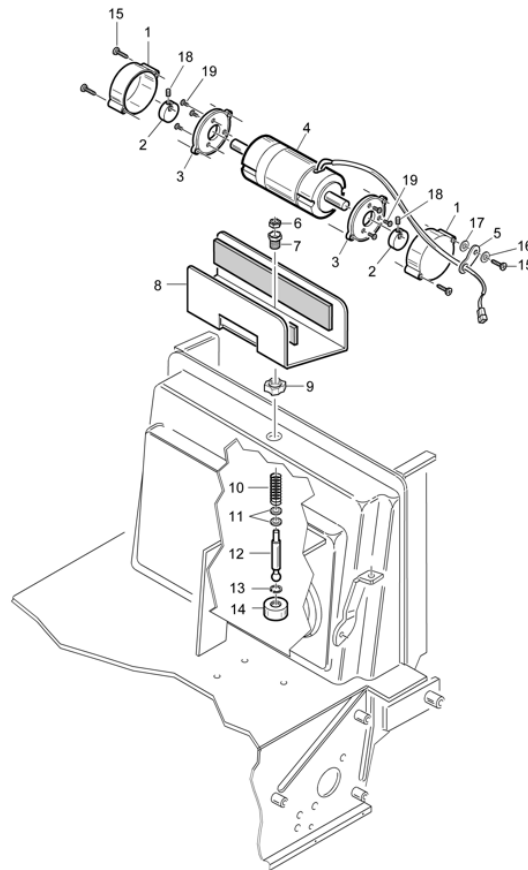


Ref. K	Part n.	Customer part n.	Description	Quantity	Validity		Price
					From	To	
0045	VTVT00005	1105023	SCREW TE FR 5X12 ZB	2,00			--
0046	LAFN06858		SUPPORT 512-712UT	1,00	25/10/2010		--
0047	VTDD09556	75154	NUT M3 TEFLON	2,00	25/10/2010		--

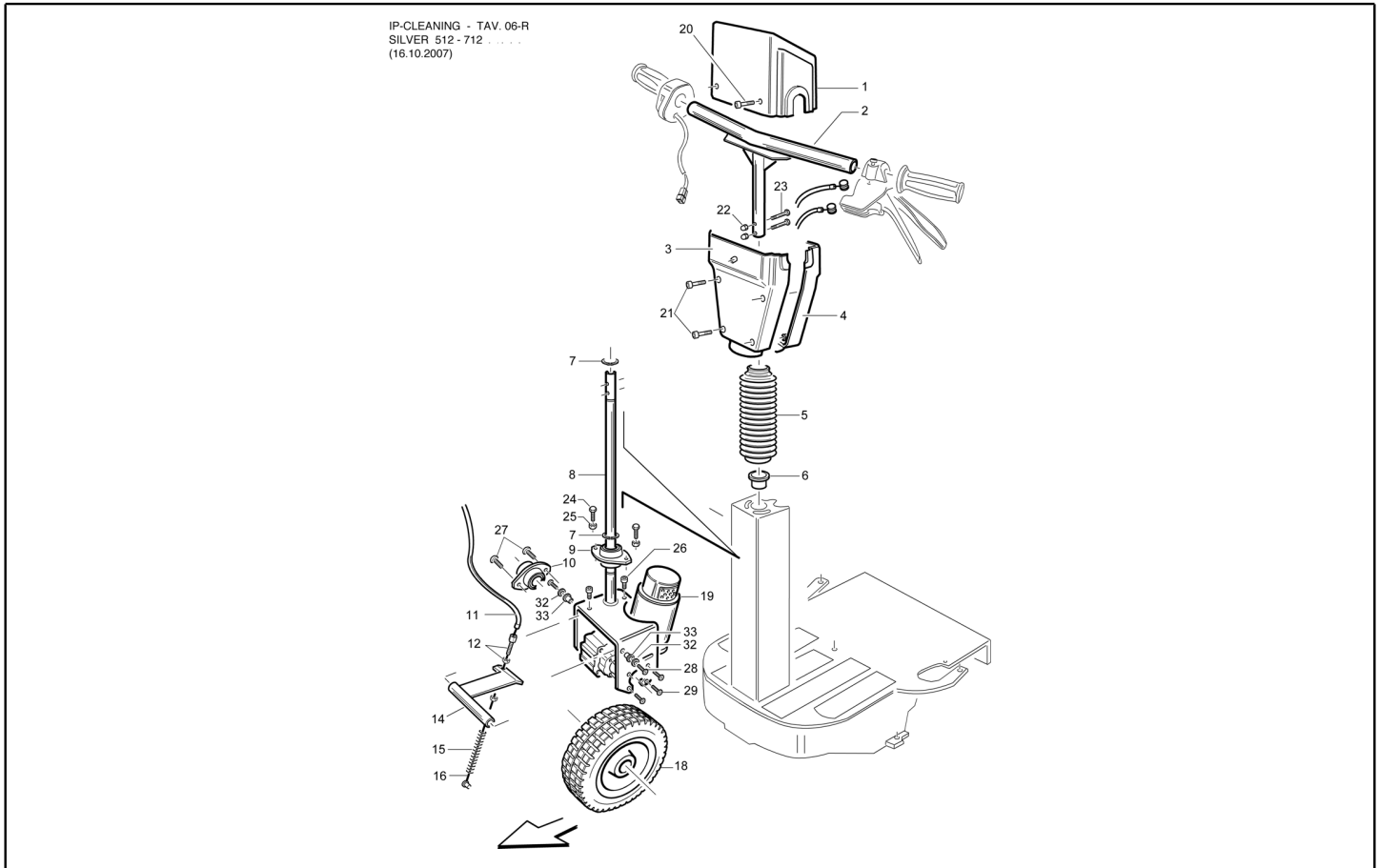
IP-CLEANING - TAV. 05-R
SILVER 512 - 712
(16.10.2007)



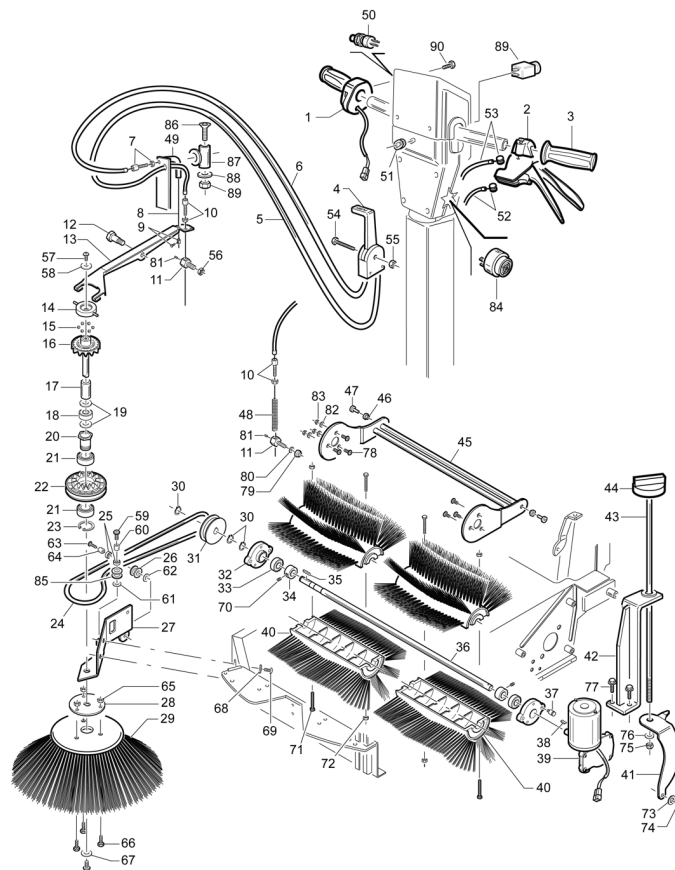
Ref. K	Part n.	Customer part n.	Description	Quantity	Validity		Price
					From	To	
0001	PMVR00383	2310426	HANDLE BLOCCAGGIO FILTRO SILVER	2,00			--
0002	FTDP85298	2360008	FILTER SW 540/541	1,00			--
0003	KTRI75926	2160052	TK500 GASKETS ASSEMBLY	1,00			--
0004	MPVR05306		FLAP 512	1,00			--
0005	KTRI86322	2160033	GASKETS ASSEMBLY	1,00		31/07/2008	--
0005	KTRI01819		FRONT DRAWER GASKET	1,00	01/08/2008		--
0006	MPVR05267		FLAP 512-712	1,00			--
0007	LAFN00188	2110400	BUSHING OTTONE BRAC.ALZAFL.SILVER	2,00			--
0008	LAFN07365		BALANCER 512	1,00			--
0009	MPVR00731	2160047	RUBBER ALZAFLAP SERIE 500	1,00			--
0010	MPVR87400	2160410	RUBBER ALZAFLAP 500	1,00			--
0011	LAFN00331	2150402	CLAMP GOMMA ALZAFLAP 500	1,00			--
0012	VTDD00483	05092	NUT M 8 ZIN UNI 5588	2,00			--
0013	VTVT47025	1105232	SCREW TBCE ISO 7380 10X16 ZB	2,00			--
0014	VTVT01295		SCREW 3,5X9,5 TS80 UNI 6955 ZB	10,00			--
0015	VTVT75724	1105231	SCREW TBCE ISO 7380 8X22 ZB	2,00			--
0016	VTRS00512	RS01113	WASHER D. 8 X24 ZC.	2,00			--
0017	VTVT00040	1105356	SCREW AUTOF.TC UNI6954 3,5X10SP	4,00			--
0018	MPVR05268		FLAP 512-712	1,00			--



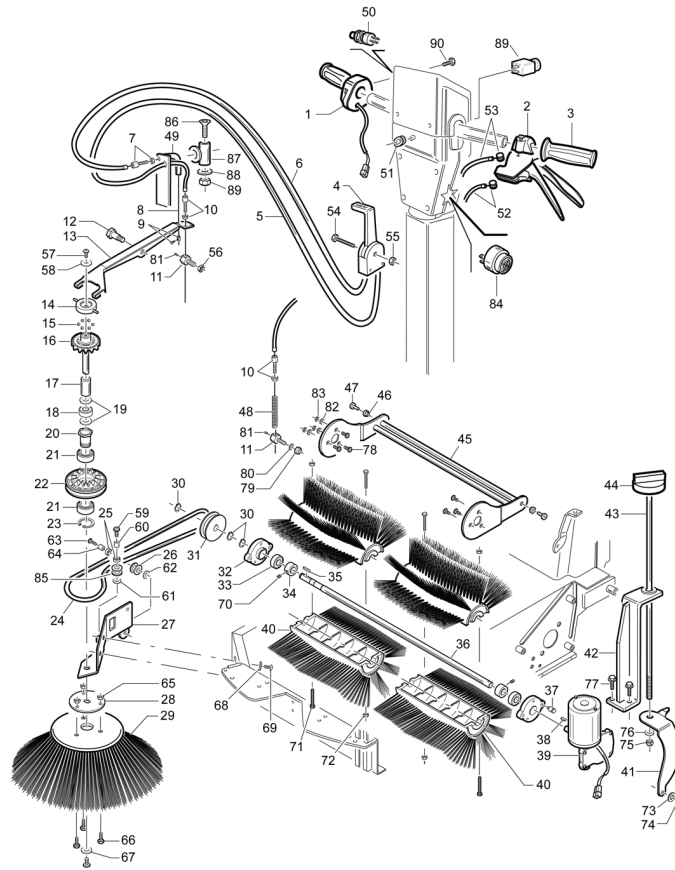
Ref. K	Part n.	Customer part n.	Description	Quantity	Validity		Price
					From	To	
0001	LAFN47139	2120288	COVER PROTEZIONE MASSE SCUOTIF.	2,00			--
0002	LAFN47140	2110045	BUSHING CONTRAPPESO PER SCUOTIFIL	2,00			--
0003	MFVR47141	2150031	FLANGE X MOTORE SCUOTIFILTRO	2,00			--
0004	MOCC00004	1340029	MOTOR D.63 24V G3800 W35	1,00			--
0005	MPVR00765	2160117	RUBBER FISSAGGIO FILO SCUOTIFIL.	1,00			--
0006	VTDD00008	1105129	NUT M10 UNI 5589 ZB	1,00			--
0007	ABGO00012	2370003	VIBRATION DAMP. PER SCUOTIFILTRO	1,00			--
0008	LAFN00676	2260063	SUPPORT MOTORE X SCUOTIF.E VERN.	1,00			--
0009	LAFN36319	SL05049	RING NUT M25X1.5-10.3	1,00			--
0010	MLML85610	2205017	SPRING COMPRES.X SCUOT.ELETT.R.ZB	1,00			--
0011	GUGO19260	1160046	O-RING D. 8 X 1 NBR 70SH	2,00			--
0012	LAFN00428	2230017	PIN D.15 H.78 A SFERA SCUOT.	1,00			--
0013	VTAE00007	1105702	SEEGER INTERNO DIN 472 D.16	1,00			--
0014	LAFN00417	2205007	ARTICULATED BAR TK500/700	1,00			--
0015	VTVT47138	1105365	SCREW AUTOF.TSP UNI 6955 3,9X32	4,00			--
0016	VTRS05904	1105807	WASHER UNI 6592 4X16 ZB	1,00			--
0017	VTRS05904	1105807	WASHER UNI 6592 4X16 ZB	1,00			--
0018	VTVT75731	1105482	GRUB SCREW UNI 5923 6X5	2,00			--
0019	VTVT76616	1105781	SCREW TSCE UNI 5933 4X12 ZB	6,00			--



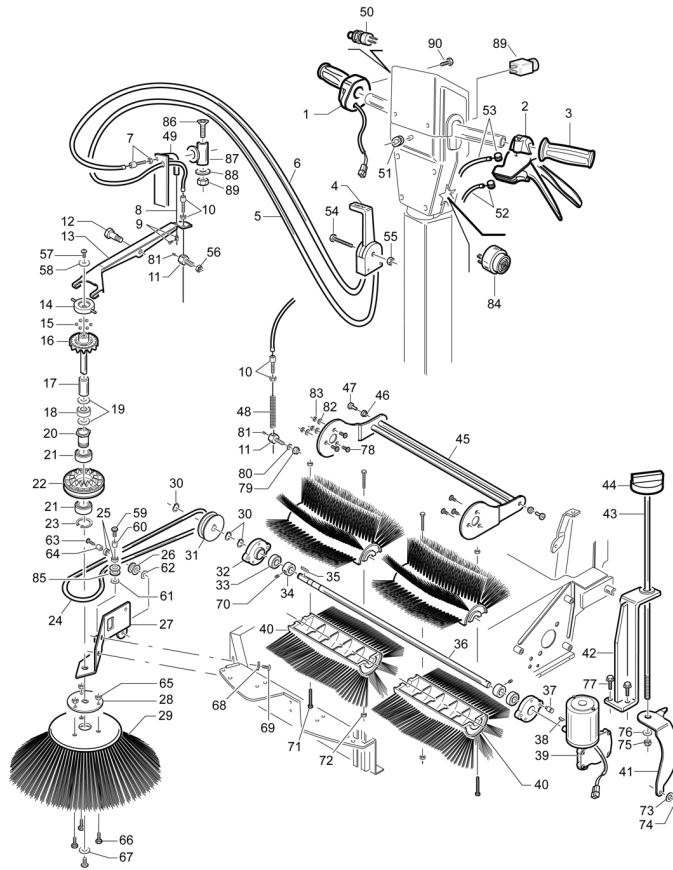
Ref. K	Part n.	Customer part n.	Description	Quantity	Validity		Price
					From	To	
0001	MPVR05258		INSTR.PANEL 512-712	1,00			--
0002	LAFN07262		HANDLE 512-712	1,00			--
0003	MPVR05297		INSTR.PANEL 512-712	1,00			--
0004	MPVR05301		INSTR.PANEL 512-712	1,00			--
0005	MPVR31719		PROTECTOR 55 - 50 x 215	1,00			--
0006	LAFN07270		BUSHING 24X27 H7	1,00			--
0007	VTAE21639	1105417	SEEGER ESTERNO DIN 471 D.24	1,00			--
0008	LAFN07273		SHAFT STERZO	1,00			--
0009	CUVR33324	RP33324	BEARIG BPFL 205	1,00			--
0010	CUVR00105	SL12031	SUPPORT	1,00			--
0011	CMCV00340		CABLE 512-712 R	1,00			--
0012	CMCV75723	1105229	REGISTER D.7	1,00			--
0014	LAFN07354		BRACKET FRENO 712	1,00			--
0015	MLML75964	22051005	SPRING PORTACEPPO D.11,3X1,5X100	1,00			--
0016	CMCV00340		CABLE 512-712 R	1,00			--
0018	RTRT00438		WHEEL 200X80	1,00			--
0019	MOCC00320		MOTOR AOMP24V 300W 130G RR1/18	1,00			--
0020	VTVT29165	SL04300	SCREW AF TCB-TC 5 X20 TL	2,00			--
0021	VTVT29165	SL04300	SCREW AF TCB-TC 5 X20 TL	4,00			--
0022	VTDD00491		NUT M 6 TEF	2,00			--
0023	VTVT06238	05241	SCREW TE 6X35 UNI5739	2,00			--
0024	VTVT00448	05156	SCREW TE 8X30 UNI5739	2,00			--
0025	VTDD00492	1105788	NUT AUTOBLOK DIN 982 M8 ALTO	2,00			--
0026	VTVT19472	1105532	SCREW TCCE UNI 5931 8X10 ZB	2,00			--
0027	VTVT63129	1105181	SCREW TE FR 8X16 ZB ZIGRINATE	2,00			--
0028	VTVT62916	75062	SCREW TE M5X12 ZN UNI 5739-8.8	2,00			--
0029	VTVT21295	1105030	SCREW TE UNI 5739 5X20 ZB	4,00			--
0032	VTRS15958	1105808	WASHER UNI 6592 5X15X1,5 ZB	2,00			--
0033	CUVR43254	SL12039	BUSHING CB 85 1010 18T	2,00			--



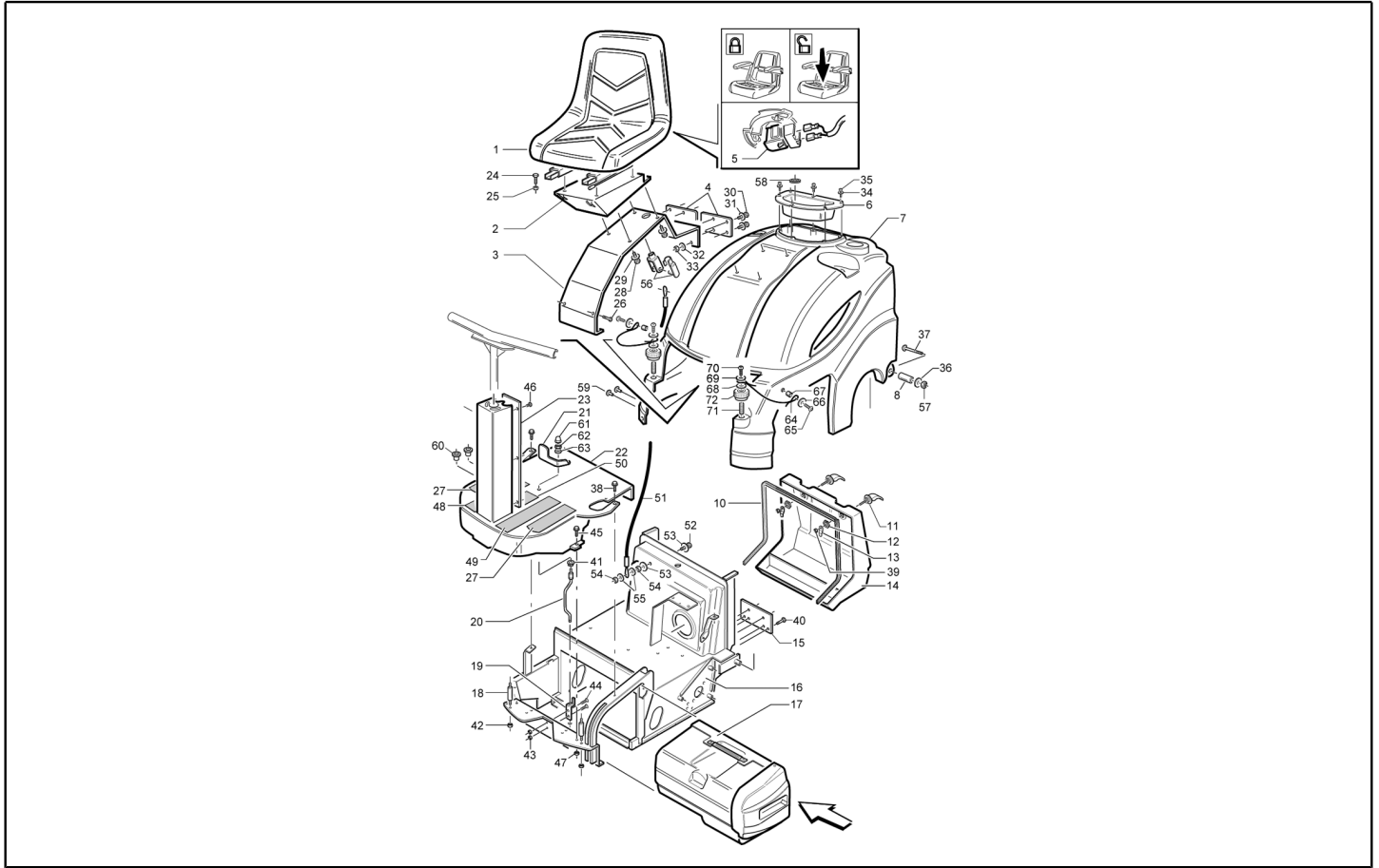
Ref. K	Part n.	Customer part n.	Description	Quantity	Validity		Price
					From	To	
0001	MEVR31306		KNOB D.22 DX TIGER 300	1,00		24/10/2010	--
0001	MEVR02035		KNOB GRIP D22 WITH ACCELERATOR	1,00	25/10/2010		--
0002	MPVR05302		HANDLE 512-712	1,00			--
0003	MPVR29814		KNOB D. 22 L=124	1,00			--
0004	MPVR00017	1125005A	LEVER COMANDO SPAZZ.ASSEMBLATA	1,00			--
0005	CMCV00344		SHEATH 512-712 R	1,00			--
0006	CMCV00343		SHEATH 512-712 R	1,00			--
0007	CMCV00352		REGISTER 512-712 UT	1,00	29/11/2007		--
0007	CMCV02397	RP02397	REGISTER CH.12X 8MAX35	1,00		28/11/2007	--
0008	CMCV00342		CABLE 512-712 R	1,00			--
0009	CMCV75737	1125004	CLAMP D.7 art.857	1,00			--
0010	CMCV75723	1105229	REGISTER D.7	1,00			--
0011	LAFN01068	2290004	SCREW CH.17 H.28 FISSAGGIO FILO	1,00			--
0012	LAFN75968	2230002	PIN CH.17 H.34 LEVA SPAZ.LAT.	1,00			--
0013	LAFN75953	2190004	LEVER SOLLEV.SPAZZ.LATER.TK ZIN	1,00			--
0014	LAFN75824	2100012	RING CUSCIN.SPAZZOLA LATER.TK	1,00			--
0015	SFVR00002	1260029	BALL 11/32"	6,00			--
0016	LAFN75826	2100019N	RING DENTATO MOV.SPAZZ.LAT. TK	1,00			--
0017	LAFN75912	2130011	SPACER ALBERO SPAZ.LAT.TIPO NUOV	1,00			--
0018	CUVR37344	1390015	ROLLER BEARING HK 1412	1,00			--
0019	VTRS75831	2105001	WASHER IN FELTRO X BRACCIO LAT.	2,00			--
0020	LAFN75833	2110012N	BUSHING PORTACUSC.TK NUOVO TIPO	1,00			--
0021	CUVR86893	1390012	BEARING 6005 2RS	2,00			--
0022	LAFN75827	2100020	RING DENTATO FOLLE TK	1,00			--
0023	VTAE09655	1105416	SEEGER ESTERNO DIN 471 D.25	1,00			--
0024	MTCG85335	2330102	BELT D.8MM SIDE ARM-BLUE	1,00			--
0025	CUVR75814	1390013	BEARING HK1012	2,00			--
0026	MTPL75997	2250080	PULLEY D.30X15 BRACCIO LAT.NUOVO	1,00			--
0027	LAFN76005	2260024	SUPPORT SPAZZOLA LATERALE TK ZINC	1,00			--
0028	LAFN75986	2250034	FLANGE TRASCIN.SPAZ.LAT.TK ZINC.	1,00			--
0029	SPPV76057	2350020	SIDE-BRUSH TK PPL 70	1,00			--
0030	VTAE17003	1105405	CIRCLIP ESTERNO DIN 471 D.15	3,00			--
0031	MTPL75980	2250019	PULLEY SPAZZOLA LATERALE D.15	1,00			--
0032	MPVR00829	2310286	SUPPORT D.90 DX/SX(5 INS.)+CUSC.	2,00			--
0033	CUVR00005	1390009	BEARING 6202 2RS	2,00			--
0034	LAFN26588	2130003	SPACER ALBERO SPAZZ.TRAZ.MANUALI	2,00			--
0035	VTVR26559	1105461	KEY UNI 6604 5X5X15	1,00			--
0036	ALTR75822	2100009	BRUSH SHAFT TK500 E	1,00			--
0037	LAFN75971	2230029	PIN FISSAG. SUPP.REGOL.SPAZZ.	1,00			--
0038	VTVR75730	1105463	KEY UNI 6606 3X3,7	1,00			--
0039	MOCC00336		MOTOR BIG	1,00			--
0040	SPPV00048	2350036	BRUSH CENTRALE	2,00			--
0041	LAFN00342	2190005	BRACKET REGOL.SPAZ.CENTR.TKE ZINC	1,00			--
0042	LAFN07265		BRACKET 512-712	1,00			--



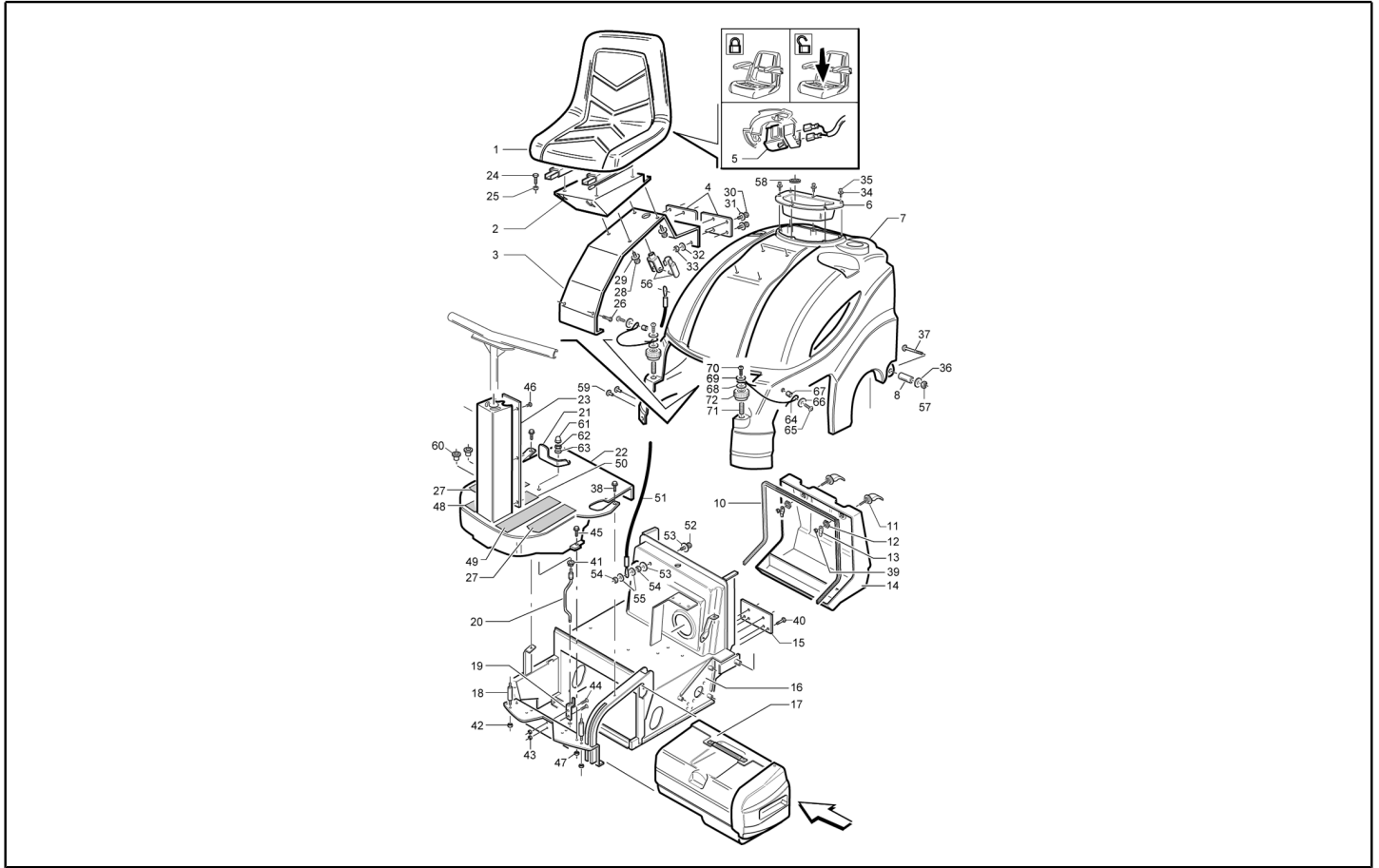
Ref. K	Part n.	Customer part n.	Description	Quantity	Validity		Price
					From	To	
0043	LAFN07266		ROD 512-712	1,00			--
0044	MPVR10084	RP10084	SWITCH KNOB O.K.A.	1,00			--
0045	LAFN00035	2110017	ROKER TK500 K501 ZINCATO	1,00			--
0046	LAFN75834	2110016	BUSHING BILANCERE TK D.18 H.20	2,00			--
0047	LAFN76019	2290007	PIN CH 13 H.25 BILANCERE TK	2,00			--
0048	MLML00033	2205400	SPRING ALZAFLAP SILVER ZB	1,00			--
0049	LAFN07408		CURVE 90°	1,00			--
0050	MEVR85330	1180012	BUTTON -	1,00			--
0051	MEVR00094	13801017	FAIR-LEAD EGP15-20S.60 PAS1	1,00			--
0052	CMCV00340		CABLE 512-712 R	1,00			--
0053	CMCV00341		CABLE 512-712 R	1,00			--
0054	LAFN75738	1125005	LEVER COMANDO SPAZZOLA	1,00			--
0055	LAFN75738	1125005	LEVER COMANDO SPAZZOLA	1,00			--
0056	VTDD13261	1105220	NUT UNI 5589 M8 BASSO ZB	1,00			--
0057	VTVT75724	1105231	SCREW TBCE ISO 7380 8X22 ZB	1,00			--
0058	VTRS00513	1105327	WASHER UNI 6593 8X32X2,5 ZB	1,00			--
0059	VTVT75727	1105238	SCREW TBCE ISO 7380 8X25 ZB	1,00			--
0060	LAFN75840	2110042	BUSHING D.10 NUOVO BRACCIO LAT.	1,00			--
0061	VTRS00504	05242	WASHER D. 8 TE ZC. UNI 6592	1,00			--
0062	VTRS00504	05242	WASHER D. 8 TE ZC. UNI 6592	1,00			--
0063	VTVT75727	1105238	SCREW TBCE ISO 7380 8X25 ZB	1,00			--
0064	LAFN75840	2110042	BUSHING D.10 NUOVO BRACCIO LAT.	1,00			--
0065	VTDD13261	1105220	NUT UNI 5589 M8 BASSO ZB	3,00			--
0066	VTVT00527		SCREW TE FR 6X10 ZB ZIG.	3,00			--
0067	VTRS63242	1105325	WASHER UNI 6593 6X24X2 ZB	1,00			--
0068	VTRS00512	RS01113	WASHER D. 8 X24 ZC.	2,00			--
0069	VTVT45395	1105230	SCREW TBCE ISO 7380 8X10 ZB	2,00			--
0070	VTVT75731	1105482	GRUB SCREW UNI 5923 6X5	2,00			--
0071	VTVT22102	1105551	SCREW TCCE UNI 5931 5X70 ZB	4,00			--
0072	VTDD01678	05098	NUT M 5 UNI 5588	4,00			--
0073	VTRS00504	05242	WASHER D. 8 TE ZC. UNI 6592	1,00			--
0074	VTAE14016	1105420	SEEGER ESTERNO DIN 471 D.12	1,00			--
0075	VTDD00124	SL05001	NUT M 8 BASSO	1,00			--
0076	VTRS00504	05242	WASHER D. 8 TE ZC. UNI 6592	1,00			--
0077	VTVT21295	1105030	SCREW TE UNI 5739 5X20 ZB	2,00			--
0078	VTVT00061	1105503	SCREW TSCE UNI 5933 6X20 ZB	6,00			--
0079	VTDD00124	SL05001	NUT M 8 BASSO	1,00			--
0080	VTRS00504	05242	WASHER D. 8 TE ZC. UNI 6592	1,00			--
0081	VTVT87456	1105485	GRUB SCREW UNI 5923 5X6	1,00			--
0082	VTRS00503	05118	WASHER D. 6 TE UNI 6798	3,00			--
0083	VTDD00491		NUT M 6 TEF	6,00			--
0084	MEVR01436	SL53067	BUZZER -	1,00			--
0085	MTPL75996	2250079	PULLEY D.27X15 BRACCIO LAT.NUOVO	1,00			--
0086	VTVT42311	1105518	SCREW TSCE UNI 5933 6X35 ZB	1,00			--



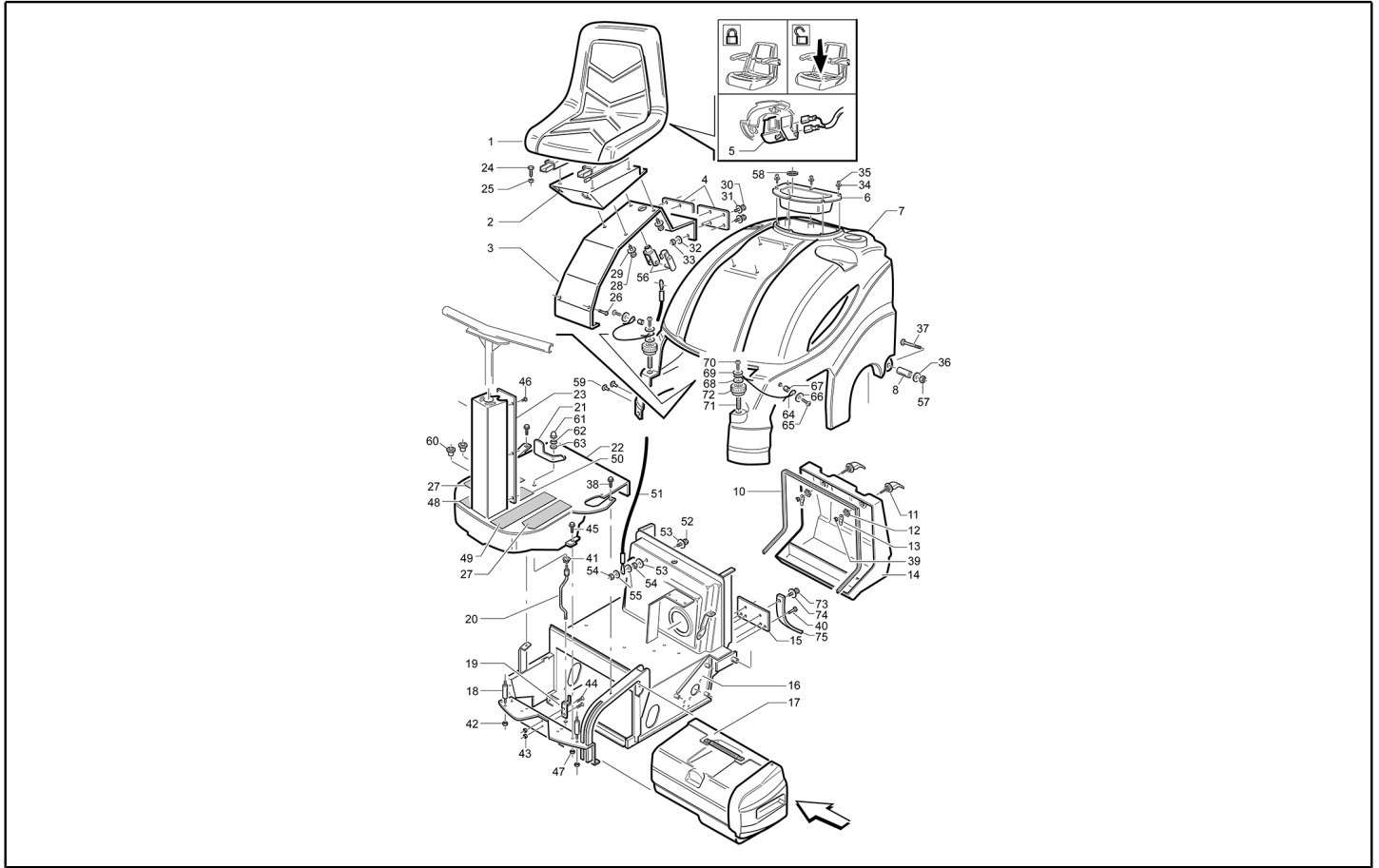
Ref. K	Part n.	Customer part n.	Description	Quantity	Validity		Price
					From	To	
0087	LAFN06861		BRACKET 512-712	1,00			--
0088	VTRS00503	05118	WASHER D. 6 TE UNI 6798	1,00			--
0089	MECI00536		BUTTON D.25	1,00			--
0090	VTVT00751	SL04222	SCREW	1,00			--



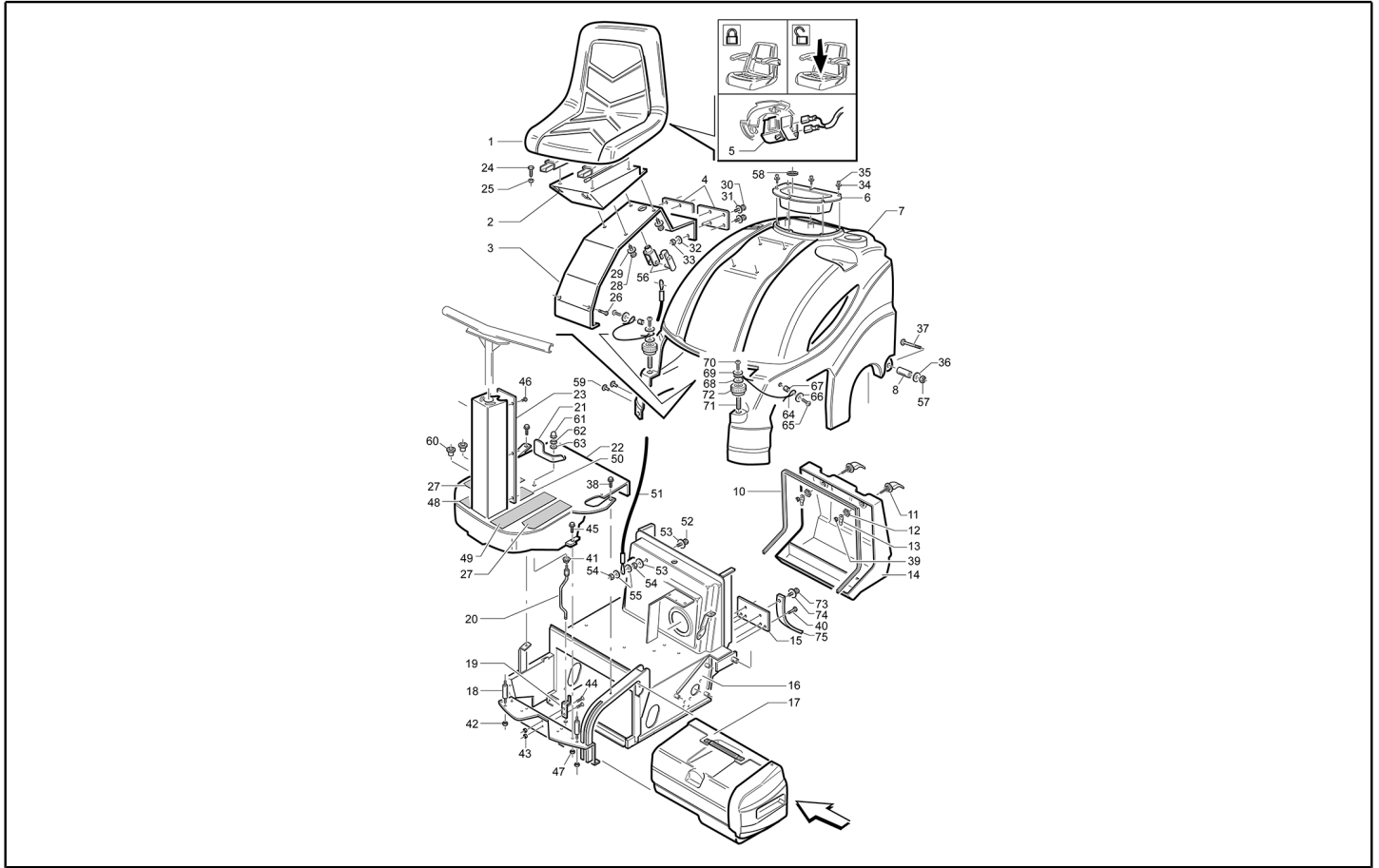
Ref. K	Part n.	Customer part n.	Description	Quantity	Validity		Price
					From	To	
0001	SESD45981	13201011	SEAT SC73 01.01.M4 PER TK1400	1,00			--
0002	LAFN07284		SUPPORT SEDILE	1,00			--
0003	LAFN07359		ASSEMBLED ROLL-BAR 512-712	1,00			--
0004	LAFN07377		BRACKET 512	2,00			--
0005	MEVR00148	1180066	SWITCH SEAT SENSOR	1,00			--
0006	MPVR05276		COVER 512/712	1,00			--
0007	MPVR05891		HOOD 512	1,00			--
0008	LAFN04043	SL07528	SPACER D8.5-15	2,00			--
0009	RTRT00022	1320018	HANDWHEEL D.30 M6X15	2,00			--
0010	GUVR75932	2160090	GASKET CASSETTO POST.500-501-510	1,00			--
0011	PMVR00138	2300401A	LOCK TEK	2,00			--
0012	LAFN00259	2130009	NUT CH.24 SERRATURA TEK	2,00			--
0013	LAFN00349	2190016	LEVER SERRATURA TEK ZINCATO	2,00			--
0014	MPVR00607	2120408	DRAWER POSTERIORE SILVER 510 GRI	1,00			--
0015	MPVR00801	2260068	CAP CHIUS.SEDE PED.FRENO STAZ	1,00			--
0016	LAFN07282		FRAME 512	1,00			--
0017	PMVR01409		DRAWER ANTER.SILVER 512 COMPL.	1,00			--
0018	LAFN07271		PIN 512-712	2,00			--
0019	LAFN07367		BRACKET 512-712 RIDER	1,00			--
0020	LAFN07366		LEVER 512-712 RIDER	1,00			--
0021	LAFN07556		LEVER -	1,00	01/01/2009		--
0021	MPVR00032	1190016	LEVER 48 M6 SGANCIO MANICO L 15	1,00		31/12/2008	--
0022	LAFN07260		PLANE 512	1,00			--
0023	LAFN07363		SHEET METAL PA. 512-712	1,00			--
0024	VTVT01110	05000	SCREW TE 8X16 UNI5739	4,00			--
0025	VTRS00504	05242	WASHER D. 8 TE ZC. UNI 6592	4,00			--
0026	VTVT00527		SCREW TE FR 6X10 ZB ZIG.	2,00			--
0027	MPVR00866	21601070	PLANE ANTISDRUCCIOLO G1050	2,00			--
0028	VTVT01536	1105070	SCREW TE UNI 5739 10X45 ZB	4,00			--
0029	VTRS00505	05116	WASHER D.10 TE UNI 6592	4,00			--
0030	VTVT00248	SL04067	SCREW TE M&x45 UNI5739 8.8 ZNT	4,00			--
0031	VTRS04026		WASHER D. 6X18X2.38	4,00			--
0032	VTRS04026		WASHER D. 6X18X2.38	4,00			--
0033	VTDD00491		NUT M 6 TEF	4,00			--
0034	VTRS00501	05109	WASHER D. 4 0.232 UNI 6592	4,00			--
0035	VTVT37012	SL04289	SCREW M 4X 10 TCB-TC INX	4,00			--
0036	VTRS00512	RS01113	WASHER D. 8 X24 ZC.	2,00			--
0037	VTVT00231	SL04049	SCREW TTQS M8X89	2,00		11/11/2007	--
0037	VTVT01142		SCREW TTQS M8X89	2,00	12/11/2007		--
0038	VTVT62920	1105162	SCREW TE FR 6X16 ZB ZIGRINATE	2,00			--
0039	VTDD00057		NUT UNI 5589 M8 BASSO ZB	2,00			--
0040	VTVT00527		SCREW TE FR 6X10 ZB ZIG.	4,00			--
0041	MPVR05303		CLIP d.i.6 sp.4	1,00			--
0042	VTDD00491		NUT M 6 TEF	2,00			--



Ref. K	Part n.	Customer part n.	Description	Quantity	Validity		Price
					From	To	
0043	VTDD00491		NUT M 6 TEF	2,00			--
0044	VTVT00093	1105785	SCREW TBCE ISO 7380 6X12 ZB	2,00			--
0045	VTVT62920	1105162	SCREW TE FR 6X16 ZB ZIGRINATE	2,00			--
0046	VTVT00040	1105356	SCREW AUTOF.TC UNI6954 3,5X10SP	6,00			--
0047	VTDD00491		NUT M 6 TEF	2,00			--
0048	MPVR05317		PLANE 512 R	1,00		31/12/2008	--
0048	MPVR47092	2160051	PLANE ANTISDRUCCIOLO X PEDALE	1,00	01/01/2009		--
0049	MPVR47092	2160051	PLANE ANTISDRUCCIOLO X PEDALE	2,00			--
0051	CMCV00430		CABLE 512-712	1,00	07/01/2008		--
0052	VTVT00448	05156	SCREW TE 8X30 UNI5739	1,00	07/01/2008		--
0053	VTRS00512	RS01113	WASHER D. 8 X24 ZC.	2,00	07/01/2008		--
0054	VTDD00041	75038	SELF-LOCJ.NUT M 8 UNI7473 8.8 ZNT	2,00	07/01/2008		--
0055	VTRS00512	RS01113	WASHER D. 8 X24 ZC.	2,00	07/01/2008		--
0056	CMCV00001	11051001	FORK UNI 1676 M8X16	1,00	07/01/2008		--
0056	CMCV75718	11051101	CLIP UNI 1676 M8	1,00	07/01/2008		--
0057	VTDD00041	75038	SELF-LOCJ.NUT M 8 UNI7473 8.8 ZNT	2,00	12/11/2007		--
0058	MEVR00554	70043	FAIR-LEAD D.37	1,00	04/06/2008		--
0059	RCVR00173	70336		6,00	12/11/2008		--
0060	MEVR00244		FAIR-LEAD D. 7-12 PVC	2,00	12/11/2008		--
0061	VTDD48188	SL05072	NUT M 6 CIE. INX A2 UNI 5721	1,00	01/01/2009		--
0062	VTDD00482	05096	NUT M 6 ZIN UNI 5588	1,00	01/01/2009		--
0063	VTRS01079	05131	WASHER D. 6 GROWER	1,00	01/01/2009		--
0064	CMCV00442		CABLE -	2,00	01/04/2009		--
0065	VTVT00892	SL04421	SCREW	2,00	01/04/2009		--
0066	VTRS15958	1105808	WASHER UNI 6592 5X15X1,5 ZB	2,00	01/04/2009		--
0067	LAFN03840	SL07318	BUSHING	2,00	01/04/2009		--
0068	VTRS86980		WASHER D. 6X18 UNI6593	2,00	01/04/2009		--
0069	VTRS86980		WASHER D. 6X18 UNI6593	2,00	01/04/2009		--
0070	VTVT09916	1105235	SCREW TBCE ISO 7380 6X20 ZB	2,00			--
0071	VTVT20261	75230	SCREW EI-ST 6X20 UNI5923	2,00	01/04/2009		--
0072	MPVR05627		KNOB -	2,00	01/04/2009		--



Ref. K	Part n.	Customer part n.	Description	Quantity	Validity		Price
					From	To	
0001	SESD45981	13201011	SEAT SC73 01.01.M4 PER TK1400	1,00			--
0002	LAFN07284		SUPPORT SEDILE	1,00			--
0003	LAFN07359		ASSEMBLED ROLL-BAR 512-712	1,00			--
0004	LAFN07377		BRACKET 512	2,00			--
0005	MEVR00148	1180066	SWITCH SEAT SENSOR	1,00			--
0006	MPVR05276		COVER 512/712	1,00			--
0007	MPVR05891		HOOD 512	1,00			--
0008	LAFN04043	SL07528	SPACER D8.5-15	2,00			--
0009	RTRT00022	1320018	HANDWHEEL D.30 M6X15	2,00			--
0010	GUVR75932	2160090	GASKET CASSETTO POST.500-501-510	1,00			--
0011	PMVR00138	2300401A	LOCK TEK	2,00			--
0012	LAFN00259	2130009	NUT CH.24 SERRATURA TEK	2,00			--
0013	LAFN00349	2190016	LEVER SERRATURA TEK ZINCATO	2,00			--
0014	MPVR00607	2120408	DRAWER POSTERIORE SILVER 510 GRI	1,00			--
0015	MPVR00801	2260068	CAP CHIUS.SEDE PED.FRENO STAZ	1,00			--
0016	LAFN07282		FRAME 512	1,00			--
0017	PMVR01409		DRAWER ANTER.SILVER 512 COMPL.	1,00			--
0018	LAFN07271		PIN 512-712	2,00			--
0019	LAFN07367		BRACKET 512-712 RIDER	1,00			--
0020	LAFN07366		LEVER 512-712 RIDER	1,00			--
0021	LAFN07556		LEVER -	1,00	01/01/2009		--
0021	MPVR00032	1190016	LEVER 48 M6 SGANCIO MANICO L 15	1,00		31/12/2008	--
0022	LAFN07260		PLANE 512	1,00			--
0023	LAFN07363		SHEET METAL PA. 512-712	1,00			--
0024	VTVT01110	05000	SCREW TE 8X16 UNI5739	4,00			--
0025	VTRS00504	05242	WASHER D. 8 TE ZC. UNI 6592	4,00			--
0026	VTVT00527		SCREW TE FR 6X10 ZB ZIG.	2,00			--
0027	MPVR00866	21601070	PLANE ANTISDRUCCIOLO G1050	2,00			--
0028	VTVT01536	1105070	SCREW TE UNI 5739 10X45 ZB	4,00			--
0029	VTRS00505	05116	WASHER D.10 TE UNI 6592	4,00			--
0030	VTVT00248	SL04067	SCREW TE M&x45 UNI5739 8.8 ZNT	4,00			--
0031	VTRS04026		WASHER D. 6X18X2.38	4,00			--
0032	VTRS04026		WASHER D. 6X18X2.38	4,00			--
0033	VTDD00491		NUT M 6 TEF	4,00			--
0034	VTRS00501	05109	WASHER D. 4 0.232 UNI 6592	4,00			--
0035	VTVT37012	SL04289	SCREW M 4X 10 TCB-TC INX	4,00			--
0036	VTRS00512	RS01113	WASHER D. 8 X24 ZC.	2,00			--
0037	VTVT00231	SL04049	SCREW TTQS M8X89	2,00		11/11/2007	--
0037	VTVT01142		SCREW TTQS M8X89	2,00	12/11/2007		--
0038	VTVT62920	1105162	SCREW TE FR 6X16 ZB ZIGRINATE	2,00			--
0039	VTDD00057		NUT UNI 5589 M8 BASSO ZB	2,00			--
0040	VTVT00527		SCREW TE FR 6X10 ZB ZIG.	4,00			--
0041	MPVR05303		CLIP d.i.6 sp.4	1,00			--
0042	VTDD00491		NUT M 6 TEF	2,00			--



Ref. K	Part n.	Customer part n.	Description	Quantity	Validity		Price
					From	To	
0043	VTDD00491		NUT M 6 TEF	2,00			--
0044	VTVT00093	1105785	SCREW TBCE ISO 7380 6X12 ZB	2,00			--
0045	VTVT62920	1105162	SCREW TE FR 6X16 ZB ZIGRINATE	2,00			--
0046	VTVT00040	1105356	SCREW AUTOF.TC UNI6954 3,5X10SP	6,00			--
0047	VTDD00491		NUT M 6 TEF	2,00			--
0048	MPVR05317		PLANE 512 R	1,00		31/12/2008	--
0048	MPVR47092	2160051	PLANE ANTISDRUCCIOLO X PEDALE	1,00	01/01/2009		--
0049	MPVR47092	2160051	PLANE ANTISDRUCCIOLO X PEDALE	2,00			--
0051	CMCV00430		CABLE 512-712	1,00	07/01/2008		--
0052	VTVT00448	05156	SCREW TE 8X30 UNI5739	1,00	07/01/2008		--
0053	VTRS00512	RS01113	WASHER D. 8 X24 ZC.	2,00	07/01/2008		--
0054	VTDD00041	75038	SELF-LOCJ.NUT M 8 UNI7473 8.8 ZNT	2,00	07/01/2008		--
0055	VTRS00512	RS01113	WASHER D. 8 X24 ZC.	2,00	07/01/2008		--
0056	CMCV00001	11051001	FORK UNI 1676 M8X16	1,00	07/01/2008		--
0056	CMCV75718	11051101	CLIP UNI 1676 M8	1,00	07/01/2008		--
0057	VTDD00041	75038	SELF-LOCJ.NUT M 8 UNI7473 8.8 ZNT	2,00	12/11/2007		--
0058	MEVR00554	70043	FAIR-LEAD D.37	1,00	04/06/2008		--
0059	RCVR00173	70336		6,00	12/11/2008		--
0060	MEVR00244		FAIR-LEAD D. 7-12 PVC	2,00	12/11/2008		--
0061	VTDD48188	SL05072	NUT M 6 CIE. INX A2 UNI 5721	1,00	01/01/2009		--
0062	VTDD00482	05096	NUT M 6 ZIN UNI 5588	1,00	01/01/2009		--
0063	VTRS01079	05131	WASHER D. 6 GROWER	1,00	01/01/2009		--
0064	CMCV00442		CABLE -	2,00	01/04/2009		--
0065	VTVT00892	SL04421	SCREW	2,00	01/04/2009		--
0066	VTRS15958	1105808	WASHER UNI 6592 5X15X1,5 ZB	2,00	01/04/2009		--
0067	LAFN03840	SL07318	BUSHING	2,00	01/04/2009		--
0068	VTRS86980		WASHER D. 6X18 UNI6593	2,00	01/04/2009		--
0069	VTRS86980		WASHER D. 6X18 UNI6593	2,00	01/04/2009		--
0070	VTVT09916	1105235	SCREW TBCE ISO 7380 6X20 ZB	2,00			--
0071	VTVT20261	75230	SCREW EI-ST 6X20 UNI5923	2,00	01/04/2009		--
0072	MPVR05627		KNOB -	2,00	01/04/2009		--
0073	VTVT00444	05012	SCREW TE 6X20 UNI5739	1,00			--
0074	VTRS86980		WASHER D. 6X18 UNI6593	1,00			--
0075	MPVR05298		RUBBER FUGGISCOSSA	1,00			--