



IPC Integrated Professional Cleaning

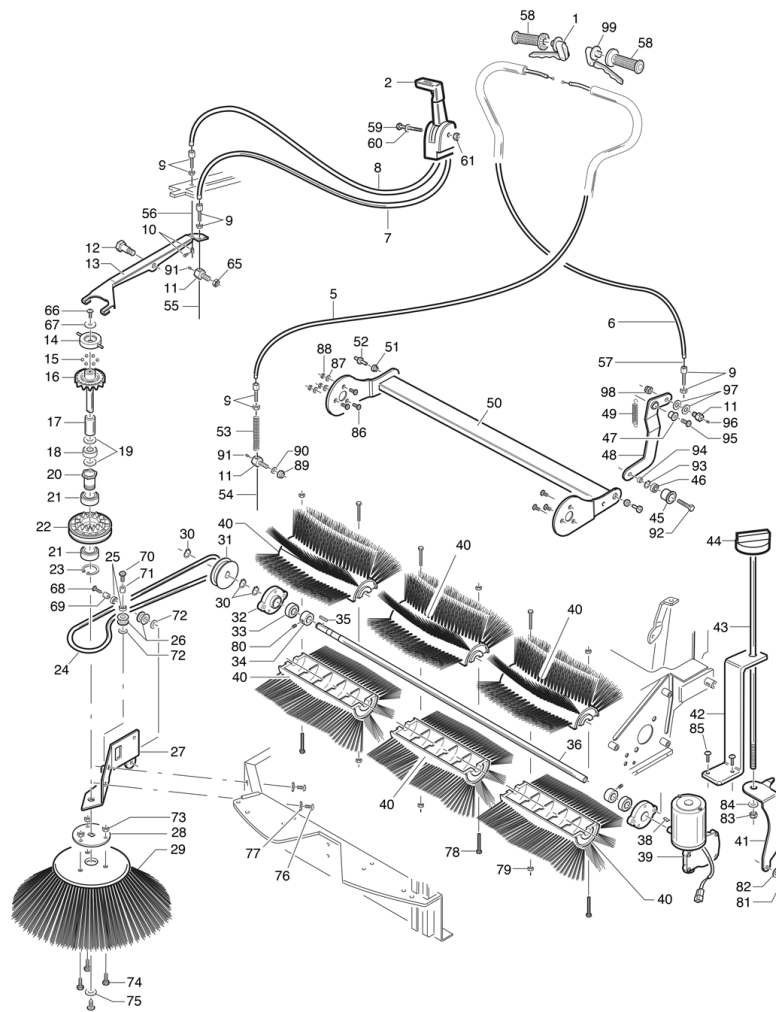
IPC Gansow

Spare Parts List

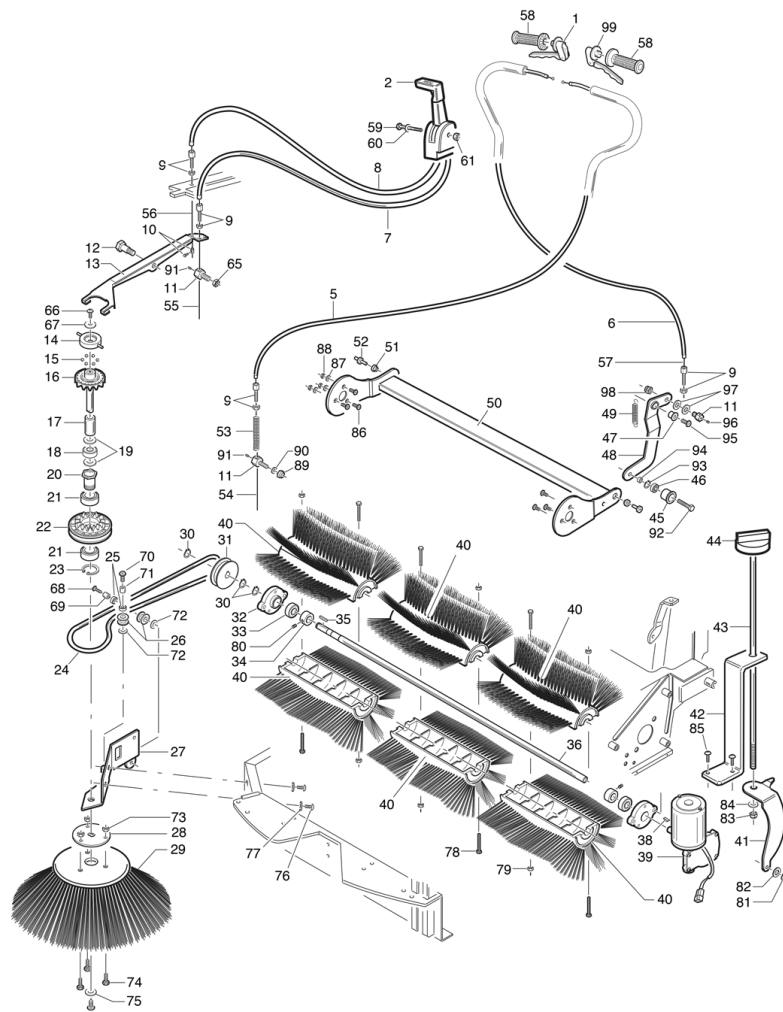
IPC EAGLE

Ref: MSUT00667

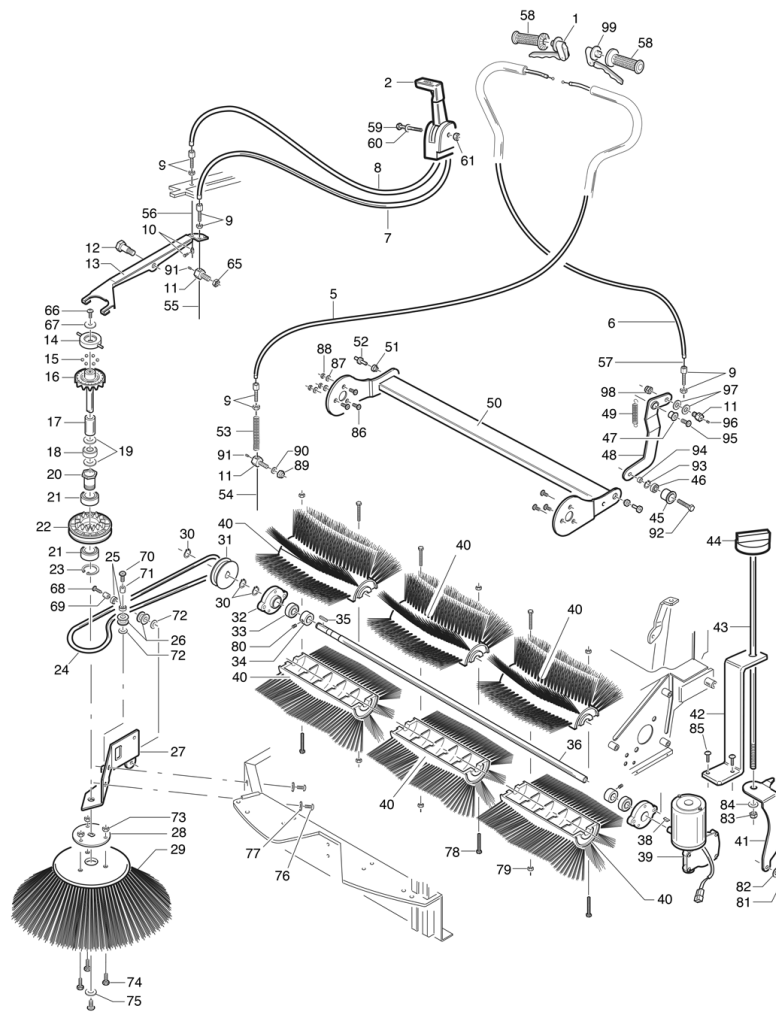
Model: 712 ET+CB+SF+CK GR/VE USA IPC



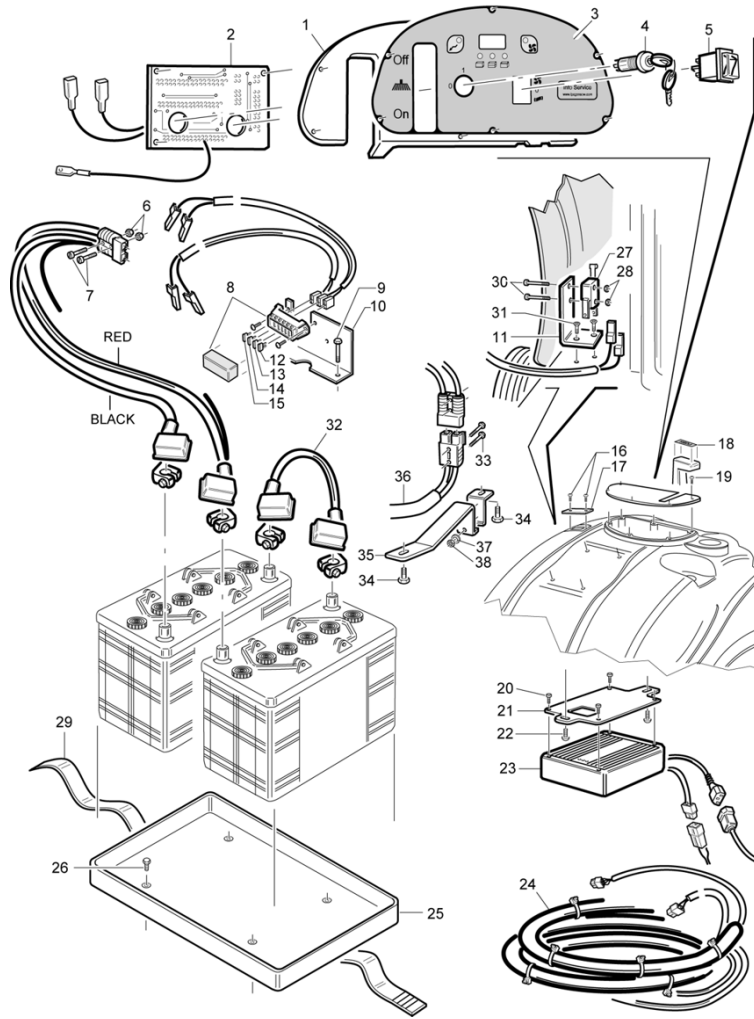
| Ref. | K | Part N. | Customer Part N. | Description | Qty | Validity: | | Price |
|------|---|-----------|------------------|-----------------------------------|------|-----------|---------|-------|
| | | | | | | From | To | |
| 0001 | | PMTR00089 | | HANDLE TRAZ.K E TK NUOVO MAN.COM | 1,00 | | | -- |
| 0002 | | MPVR00017 | | LEVER COMANDO SPAZZ.ASSEMBLATA | 1,00 | | | -- |
| 0005 | | CMCV00345 | | SHEATH FLAP CABLE 512-712 | 1,00 | | | -- |
| 0006 | | CMCV00347 | | SHEATH 512-712 UT | 1,00 | | 01/2010 | -- |
| 0006 | | CMCV00440 | | SHEATH TRACTION CABLE 512-712 | 1,00 | 01/2010 | | -- |
| 0007 | | CMCV00351 | | SHEATH 512-712 UT | 1,00 | | | -- |
| 0008 | | CMCV00350 | | SHEATH 512-712 UT | 1,00 | | | -- |
| 0009 | | CMCV75723 | | REGISTER D.7 | 4,00 | | | -- |
| 0010 | | CMCV75737 | | CLAMP D.7 art.857 | 1,00 | | | -- |
| 0011 | | LAFN01068 | | SCREW CH.17 H.28 FISSAGGIO FILO | 3,00 | | | -- |
| 0012 | | LAFN75968 | | PIN | 1,00 | | | -- |
| 0013 | | LAFN75953 | | LEVER | 1,00 | | | -- |
| 0014 | | LAFN75824 | | RING | 1,00 | | | -- |
| 0015 | | SFVR00002 | | BALL 11/32" | 6,00 | | | -- |
| 0016 | | LAFN75826 | | RING | 1,00 | | | -- |
| 0017 | | LAFN75912 | | SPACER | 1,00 | | | -- |
| 0018 | | CUVR37344 | | ROLLER BEARING HK 1412 | 1,00 | | | -- |
| 0019 | | VTRS75831 | | WASHER | 2,00 | | | -- |
| 0020 | | LAFN75833 | | BUSHING | 1,00 | | | -- |
| 0021 | | CUVR86893 | | BEARING 6005 2RS | 2,00 | | | -- |
| 0022 | | LAFN75827 | | RING | 1,00 | | | -- |
| 0023 | | VTAE09655 | | CIRCLIP D. 25 UNI 7435 | 1,00 | | | -- |
| 0024 | | MTCG85335 | | BELT D.8MM SIDE ARM-BLUE | 1,00 | | | -- |
| 0025 | | CUVR75814 | | BEARING HK1012 | 2,00 | | | -- |
| 0026 | | MTPL75996 | | PULLEY D.27x15 | 1,00 | | | -- |
| 0027 | | LAFN76005 | | SUPPORT | 1,00 | | | -- |
| 0028 | | LAFN75986 | | FLANGE | 1,00 | | | -- |
| 0029 | | PMVR00248 | | SIDE-BRUSH TK COMPLETA PPL 70 | 1,00 | | | -- |
| 0030 | | VTAE17003 | | CIRCLIP D. 15 UNI 7435 | 3,00 | | | -- |
| 0031 | | MTPL00003 | | PULLEY SPAZZOLA LATERALE D.17 | 1,00 | | | -- |
| 0032 | | MPVR00830 | | SUPPORT T.90 DX/SX(5 INS.)+CUSC. | 2,00 | | | -- |
| 0033 | | CUVR00008 | | BEARING 6003 2RS | 2,00 | | | -- |
| 0034 | | LAFN00258 | | SPACER ALBERO SPAZZOLA TK700 | 2,00 | | | -- |
| 0035 | | VTVR26559 | | KEY 5X5X15 | 1,00 | | | -- |
| 0036 | | ALTR00010 | | BRUSH SHAFT CENTRALA 711/721ET | 1,00 | | | -- |
| 0037 | | LAFN75971 | | PIN | 1,00 | | | -- |
| 0038 | | VTVR75730 | | KEY UNI 6606 3 X 3,7 | 1,00 | | | -- |
| 0039 | | MOCC00005 | | MOTOR.GEARBOX D.77 24V 210RPM BIG | 1,00 | | | -- |
| 0040 | | SPPV00044 | | BRUSH ppl 50 | 3,00 | | | -- |



| Ref. | K | Part N. | Customer Part N. | Description | Qty | Validity: | | Price |
|------|---|-----------|------------------|-----------------------------------|------|-----------|---------|-------|
| | | | | | | From | To | |
| 0041 | | LAFN00342 | | BRACKET REGOL.SPAZ.CENTR.TKE ZINC | 1,00 | | | -- |
| 0042 | | LAFN07265 | | BRACKET 512-712 | 1,00 | | | -- |
| 0043 | | LAFN07266 | | ROD 512-712 | 1,00 | | | -- |
| 0044 | | MPVR10084 | | SWITCH KNOB O.K.A. | 1,00 | | | -- |
| 0045 | | MTPL37338 | | PULLEY L.50TE | 1,00 | | | -- |
| 0046 | | CUVR71988 | | BEARING 608 2RS | 1,00 | | | -- |
| 0047 | | MPVR75836 | | BUSHING NYLON TK | 1,00 | | | -- |
| 0048 | | LAFN87609 | | BRACKET TENDICINGHIA TKE ZINCATA | 1,00 | | | -- |
| 0049 | | MLML75960 | | SPRING D. 8 X1 X32 | 1,00 | | | -- |
| 0050 | | LAFN07291 | | BALANCER 712 | 1,00 | | | -- |
| 0051 | | LAFN75834 | | BUSHING | 2,00 | | | -- |
| 0052 | | LAFN76019 | | PIN D.15 H.25 TK | 2,00 | | | -- |
| 0053 | | MLML00033 | | SPRING ALZAFLAP SILVER ZB | 1,00 | | | -- |
| 0054 | | CMCV00346 | | CABLE FLAP 512-712 WB | 1,00 | | | -- |
| 0055 | | CMCV00349 | | CABLE 512-712 UT | 1,00 | | | -- |
| 0057 | | CMCV00348 | | CABLE 512-712 UT | 1,00 | | 01/2010 | -- |
| 0057 | | CMCV00441 | | CABLE TRACTION LEVER 512-712 WB | 1,00 | 01/2010 | | -- |
| 0058 | | MPVR00036 | | KNOB GOMMA NERA D.24/24 FORATA | 2,00 | | | -- |
| 0059 | | LAFN75738 | | TRIGGER | 1,00 | | | -- |
| 0061 | | LAFN75738 | | TRIGGER | 1,00 | | | -- |
| 0065 | | VTDD13261 | | NUT M 8X1 UNI 5589 | 1,00 | | | -- |
| 0066 | | VTVT75724 | | SCREW TBEI M 8X 22 ISO 7380 ZB | 1,00 | | | -- |
| 0067 | | VTRS00513 | | WASHER D. 8 X32 P. | 1,00 | | | -- |
| 0068 | | VTVT75727 | | SCREW 8 X 25 TBCE Z.B. | 1,00 | | | -- |
| 0069 | | LAFN75840 | | BUSHING D.10x15.6 | 1,00 | | | -- |
| 0070 | | VTVT75727 | | SCREW 8 X 25 TBCE Z.B. | 1,00 | | | -- |
| 0071 | | LAFN75840 | | BUSHING D.10x15.6 | 1,00 | | | -- |
| 0072 | | VTRS00504 | | WASHER D. 8 TE ZC. UNI 6592 | 1,00 | | | -- |
| 0073 | | VTDD13261 | | NUT M 8X1 UNI 5589 | 3,00 | | | -- |
| 0074 | | VTVT00527 | | SCREW TE FR 6X10 ZB ZIG. | 3,00 | | | -- |
| 0075 | | VTRS63242 | | WASHER D. 6 X24 ZC | 1,00 | | | -- |
| 0076 | | VTVT45395 | | SCREW TBEI M 8X 10 ISO 7380 ZB | 2,00 | | | -- |
| 0077 | | VTRS00512 | | WASHER D. 8 X24 ZC. | 2,00 | | | -- |
| 0078 | | VTVT22102 | | SCREW TCEI 5X70 UNI5931 | 4,00 | | | -- |
| 0079 | | VTDD01678 | | NUT M 5 UNI 5588 | 4,00 | | | -- |
| 0080 | | VTVT75731 | | SCREW UNI 5923 6 X5 | 2,00 | | | -- |
| 0081 | | VTAE14016 | | CIRCLIP D. 12 UNI 7435 | 1,00 | | | -- |
| 0082 | | VTRS00504 | | WASHER D. 8 TE ZC. UNI 6592 | 1,00 | | | -- |
| 0083 | | VTDD00124 | | NUT M 8 BASSO | 1,00 | | | -- |

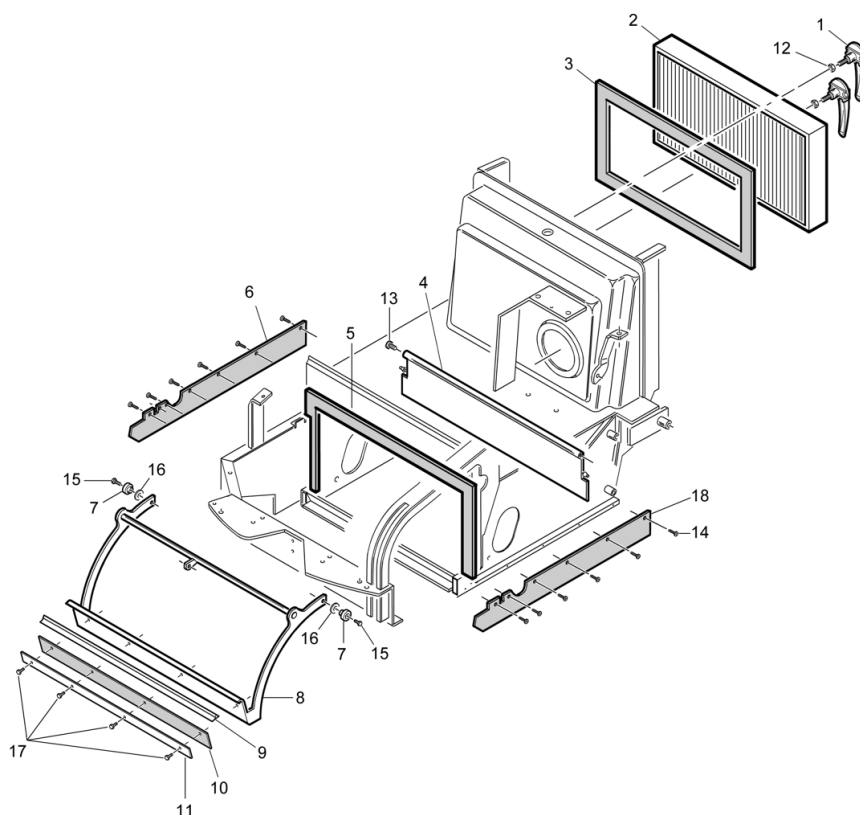


| Ref. | K | Part N. | Customer Part N. | Description | Qty | Validity: | | Price |
|------|---|-----------|------------------|----------------------------------|------|-----------|----|-------|
| | | | | | | From | To | |
| 0084 | | VTRS00504 | | WASHER D. 8 TE ZC. UNI 6592 | 1,00 | | | -- |
| 0086 | | VTVT00061 | | SCREW TSCE UNI 5933 6X20 ZB | 6,00 | | | -- |
| 0087 | | VTRS00503 | | WASHER D. 6 TE UNI 6798 | 3,00 | | | -- |
| 0088 | | VTDD00491 | | NUT M 6 TEF | 3,00 | | | -- |
| 0089 | | VTDD00124 | | NUT M 8 BASSO | 1,00 | | | -- |
| 0090 | | VTRS00504 | | WASHER D. 8 TE ZC. UNI 6592 | 1,00 | | | -- |
| 0091 | | VTVT87456 | | SCREW UNI 5923 5x6 | 1,00 | | | -- |
| 0091 | | VTVT87456 | | SCREW UNI 5923 5x6 | 1,00 | | | -- |
| 0092 | | VTVT76018 | | SCREW | 1,00 | | | -- |
| 0093 | | VTAE87082 | | SEGER INTERNO DIN 472 D.22 | 1,00 | | | -- |
| 0094 | | LAFN75909 | | SPACER D.12 H.3.5 | 1,00 | | | -- |
| 0095 | | VTVT75727 | | SCREW 8 X 25 TBCE Z.B. | 1,00 | | | -- |
| 0096 | | VTVT87456 | | SCREW UNI 5923 5x6 | 1,00 | | | -- |
| 0097 | | VTRS00504 | | WASHER D. 8 TE ZC. UNI 6592 | 2,00 | | | -- |
| 0098 | | VTDD00124 | | NUT M 8 BASSO | 1,00 | | | -- |
| 0099 | | PMTR00088 | | HANDLE TRAZ.K E TK NUOVO MAN.COM | 1,00 | | | -- |

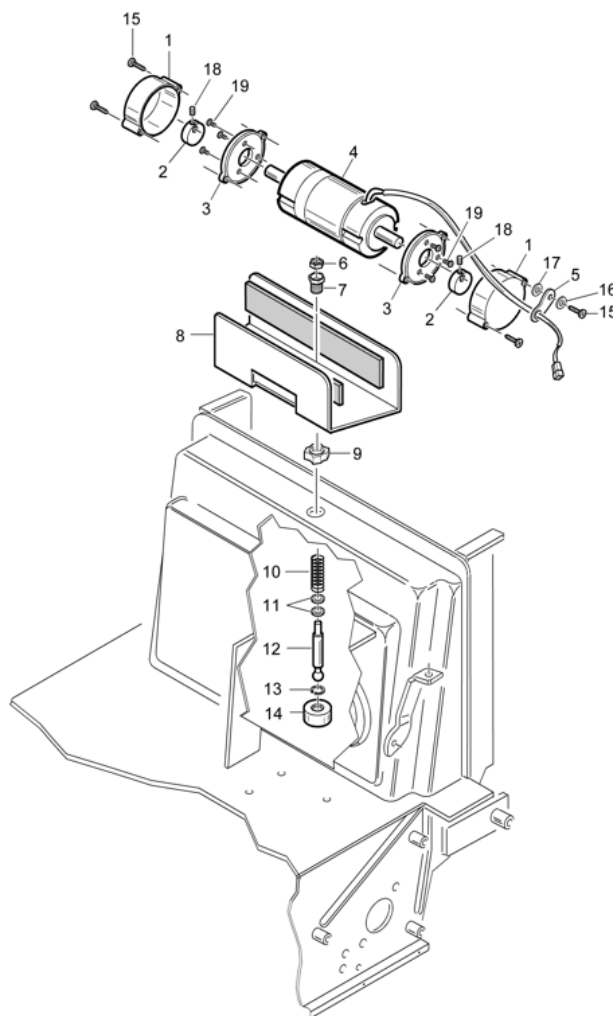


| Ref. | K | Part N. | Customer Part N. | Description | Qty | Validity: | | Price |
|------|---|-----------|------------------|--------------------------------------|------|-----------|----|-------|
| | | | | | | From | To | |
| 0001 | | LAFN07432 | | BOARD 512-712 UT | 1,00 | | | -- |
| 0002 | | MECE00005 | | BOARD COMANDO 24V MOD.TK/K | 1,00 | | | -- |
| 0003 | | ETET01577 | | LABEL 512-712 | 1,00 | | | -- |
| 0004 | | MECI75805 | | SWITCH TK | 1,00 | | | -- |
| 0005 | | MECI00034 | | COMMUTAT.SWITCHSCUOTIFILTRO COMPLETO | 1,00 | | | -- |
| 0006 | | VTDD00001 | | NUT UNI 5588 M3 ZB | 2,00 | | | -- |
| 0007 | | VTVT00021 | | SCREW TE UNI 5739 3X25 ZB | 2,00 | | | -- |
| 0008 | | MEVR00030 | | FUSE-HOLDER 4 VIE COPERCHIO TRAS. | 1,00 | | | -- |
| 0009 | | VTVT75726 | | SCREW TBEI M 6X 16 ISO 7380 ZB | 2,00 | | | -- |
| 0010 | | LAFN06857 | | SUPPORT 512-712UT | 1,00 | | | -- |
| 0011 | | LAFN06858 | | SUPPORT 512-712UT | 1,00 | | | -- |
| 0012 | | MEVR01136 | | FUSE 30A | 1,00 | | | -- |
| 0013 | | MEVR01136 | | FUSE 30A | 1,00 | | | -- |
| 0014 | | MEVR01136 | | FUSE 30A | 1,00 | | | -- |
| 0015 | | MEVR01136 | | FUSE 30A | 1,00 | | | -- |
| 0016 | | VTVT00892 | | SCREW | 2,00 | | | -- |
| 0017 | | MPVR05254 | | FLANGE CARICABATTERIA | 1,00 | | | -- |
| 0018 | | ETET00041 | | LABEL PUSH 4.3X1.3 | 1,00 | | | -- |
| 0019 | | VTVT37012 | | SCREW M 4X 10 TCB-TC INX | 6,00 | | | -- |
| 0020 | | VTVT05706 | | SCREW TCB-TC 4X10 | 4,00 | | | -- |
| 0021 | | LAFN07267 | | BRACKET 512-712 | 1,00 | | | -- |
| 0022 | | VTVT05706 | | SCREW TCB-TC 4X10 | 2,00 | | | -- |
| 0023 | | BACA00123 | | BATTERY-CHARGERCBHD1 24V 10A | 1,00 | | | -- |
| 0024 | | MECB01044 | | WIRING 512 | 1,00 | | | -- |
| 0025 | | LAFN35588 | | BATTERY SUPPORTLAV. BT | 1,00 | | | -- |
| 0026 | | VTVT00039 | | SCREW TC UNI 6954 3.5X10 AUTOF. | 2,00 | | | -- |
| 0027 | | MECI30642 | | MICRO-SWITCH 11A 0.33HP | 2,00 | | | -- |
| 0028 | | VTDD09556 | | NUT M3 TEFLON | 2,00 | | | -- |
| 0029 | | MPVR02939 | | BELT BATTERIA | 1,00 | | | -- |
| 0030 | | VTVT00018 | | SCREW TE UNI 5739 3X30 ZB | 2,00 | | | -- |
| 0031 | | VTVT00005 | | SCREW TE FR 5X12 ZB | 2,00 | | | -- |
| 0032 | | MEVR34820 | | WIRING B 450 BT | 1,00 | | | -- |
| 0033 | | VTVT00727 | | SCREW TE M. 4-20 | 2,00 | 11/2008 | | -- |
| 0034 | | VTVT00005 | | SCREW TE FR 5X12 ZB | 2,00 | 11/2008 | | -- |
| 0035 | | LAFN07187 | | BRACKET - | 1,00 | 11/2008 | | -- |
| 0036 | | MECB01071 | | WIRING - | 1,00 | 11/2008 | | -- |
| 0037 | | VTRS15913 | | WASHER D. 4 GROVER A2 UNI1751 | 2,00 | 11/2008 | | -- |
| 0038 | | VTDD00147 | | NUT M 4 INX U.5588 | 2,00 | 11/2008 | | -- |

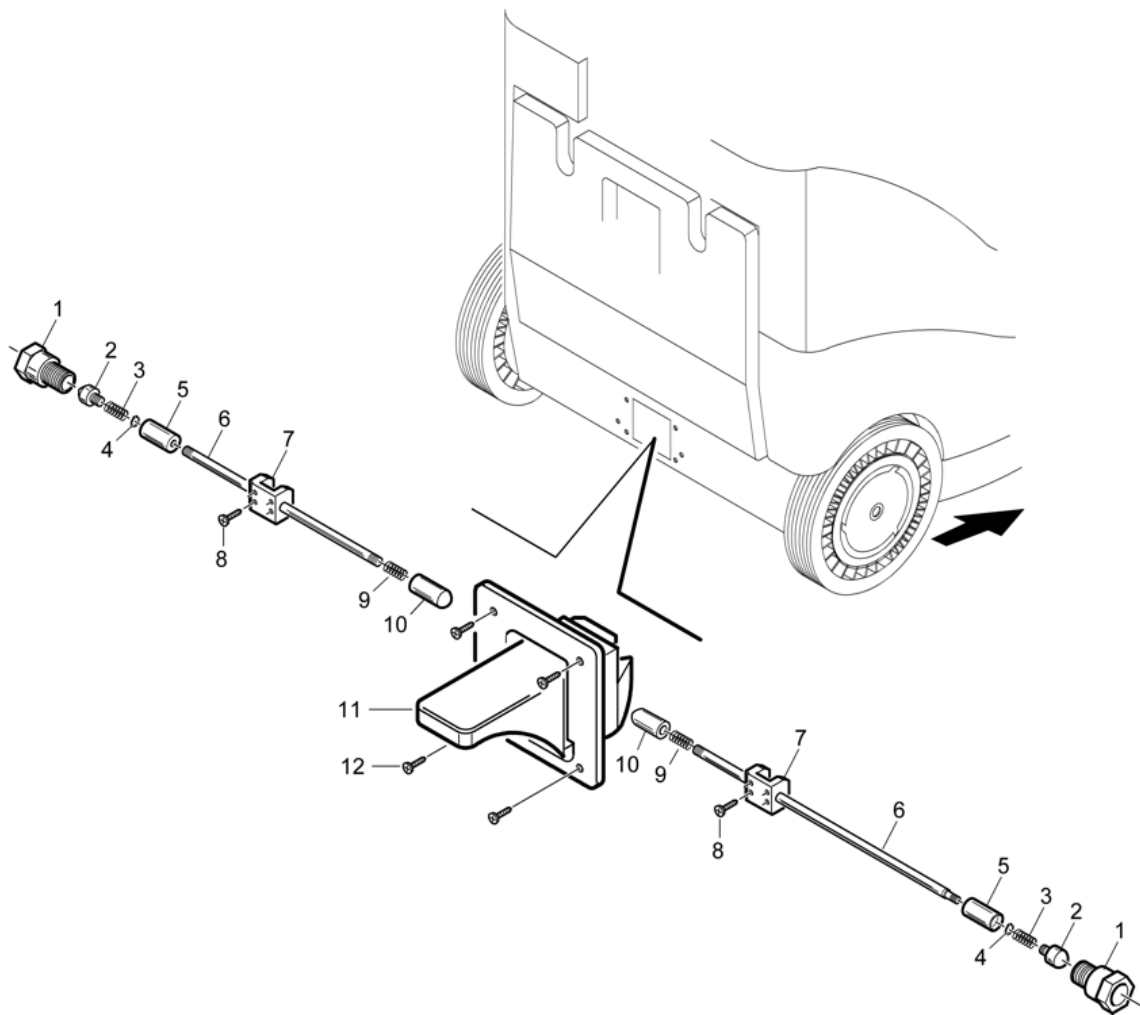
IP-CLEANING - TAV. 05-R
SILVER 512 - 712
(16.10.2007)



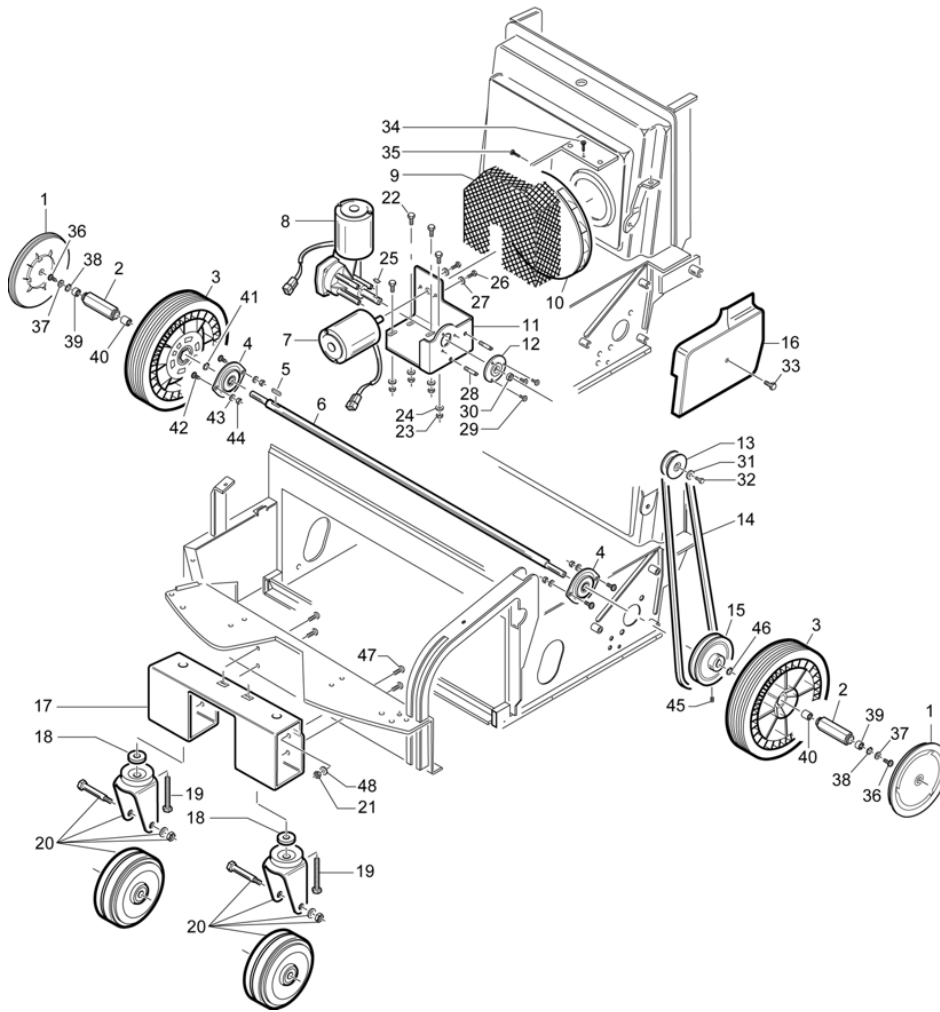
| Ref. | K | Part N. | Customer Part N. | Description | Qty | Validity: | | Price |
|------|---|-----------|------------------|--------------------------------------|-------|-----------|---------|-------|
| | | | | | | From | To | |
| 0001 | | PMVR00383 | | HANDLE BLOCCAGGIO FILTRO SILVER | 2,00 | | | -- |
| 0002 | | FTDP85299 | | FILTER SW 740/741 | 1,00 | | | -- |
| 0003 | | KTRI75931 | | FOAM KIT 15X5 TK | 1,00 | | | -- |
| 0004 | | MPVR05307 | | FLAP 712 | 1,00 | | | -- |
| 0005 | | KTRI00011 | | MOUSSE KIT ADES.30X15 CASS.ANTER.710 | 1,00 | | 07/2008 | -- |
| 0005 | | KTRI01820 | | KIT 712 | 1,00 | 08/2008 | | -- |
| 0006 | | MPVR05267 | | FLAP 512-712 | 1,00 | | | -- |
| 0007 | | LAFN00188 | | BUSHING OTTONE BRAC.ALZAFL.SILVER | 2,00 | | | -- |
| 0008 | | LAFN07364 | | BALANCER 712 | 1,00 | | | -- |
| 0009 | | MPVR00732 | | RUBBER ALZAFLAP SERIE 700 | 1,00 | | | -- |
| 0010 | | MPVR48757 | | RUBBER FLAP TK 700 | 1,00 | | | -- |
| 0011 | | LAFN00332 | | CLAMP GOMMA ALZAFLAP 700 | 1,00 | | | -- |
| 0012 | | VTDD00483 | | NUT M 8 ZIN UNI 5588 | 2,00 | | | -- |
| 0013 | | VTVT47025 | | SCREW TBEI M 10X 16 ISO 7380 ZB | 2,00 | | | -- |
| 0014 | | VTVT01295 | | SCREW 3,5X9,5 TS80 UNI 6955 ZB | 10,00 | | | -- |
| 0015 | | VTVT75724 | | SCREW TBEI M 8X 22 ISO 7380 ZB | 2,00 | | | -- |
| 0016 | | VTRS00512 | | WASHER D. 8 X24 ZC. | 2,00 | | | -- |
| 0017 | | VTVT00040 | | SCREW AUTOF.TC UNI6954 3,5X10SP | 4,00 | | | -- |
| 0018 | | MPVR05268 | | FLAP 512-712 | 1,00 | | | -- |



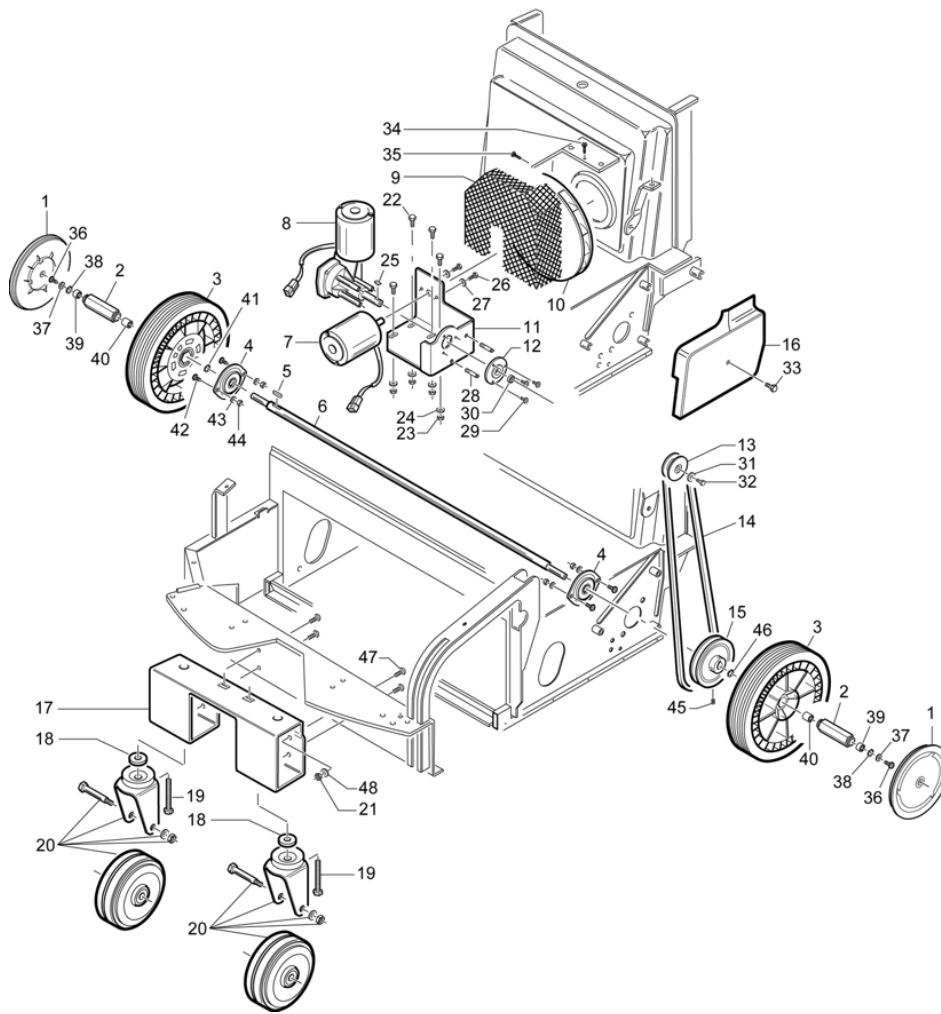
| Ref. K | Part N. | Customer Part N. | Description | Qty | Validity: | | Price |
|--------|-----------|------------------|----------------------------------|------|-----------|----|-------|
| | | | | | From | To | |
| 0001 | LAFN47139 | | MOTOR COVER L.14 FILT. | 2,00 | | | -- |
| 0002 | LAFN47140 | | BUSHING L.14 | 2,00 | | | -- |
| 0003 | MFVR47141 | | FLANGE MOTOR L.14 | 2,00 | | | -- |
| 0004 | MOCC00004 | | MOTOR D.63 24V G3800 W35 | 1,00 | | | -- |
| 0005 | MPVR00765 | | RUBBER FISSAGGIO FILO SCUOTIFIL. | 1,00 | | | -- |
| 0006 | VTDD00008 | | NUT M10 UNI 5589 ZB | 1,00 | | | -- |
| 0007 | ABGO00012 | | VIBRATION DAMP.PER SCUOTIFILTRO | 1,00 | | | -- |
| 0008 | LAFN00676 | | SUPPORT MOTORE X SCUOTIF.E VERN. | 1,00 | | | -- |
| 0009 | LAFN36319 | | RING NUT M25X1.5-10.3 | 1,00 | | | -- |
| 0010 | MLML85610 | | SPRING TK2205017 | 1,00 | | | -- |
| 0011 | GUGO19260 | | O-RING D. 8 X 1 NBR 70SH | 2,00 | | | -- |
| 0012 | LAFN00428 | | PIN D.15 H.78 A SFERA SCUOT. | 1,00 | | | -- |
| 0013 | VTAE00007 | | SEEGER INTERNO DIN 472 D.16 | 1,00 | | | -- |
| 0014 | LAFN00417 | | ARTICULATED BARTK500/700 | 1,00 | | | -- |
| 0015 | VTVT47138 | | SCREW TSP-TC 3,9X32 ZC. UNI6955 | 4,00 | | | -- |
| 0016 | VTRS05904 | | WASHER D. 4 X16 2.083 | 1,00 | | | -- |
| 0017 | VTRS05904 | | WASHER D. 4 X16 2.083 | 1,00 | | | -- |
| 0018 | VTVT75731 | | SCREW UNI 5923 6 X5 | 2,00 | | | -- |
| 0019 | VTVT76616 | | SCREW M 4x18 STEAM GUN | 6,00 | | | -- |



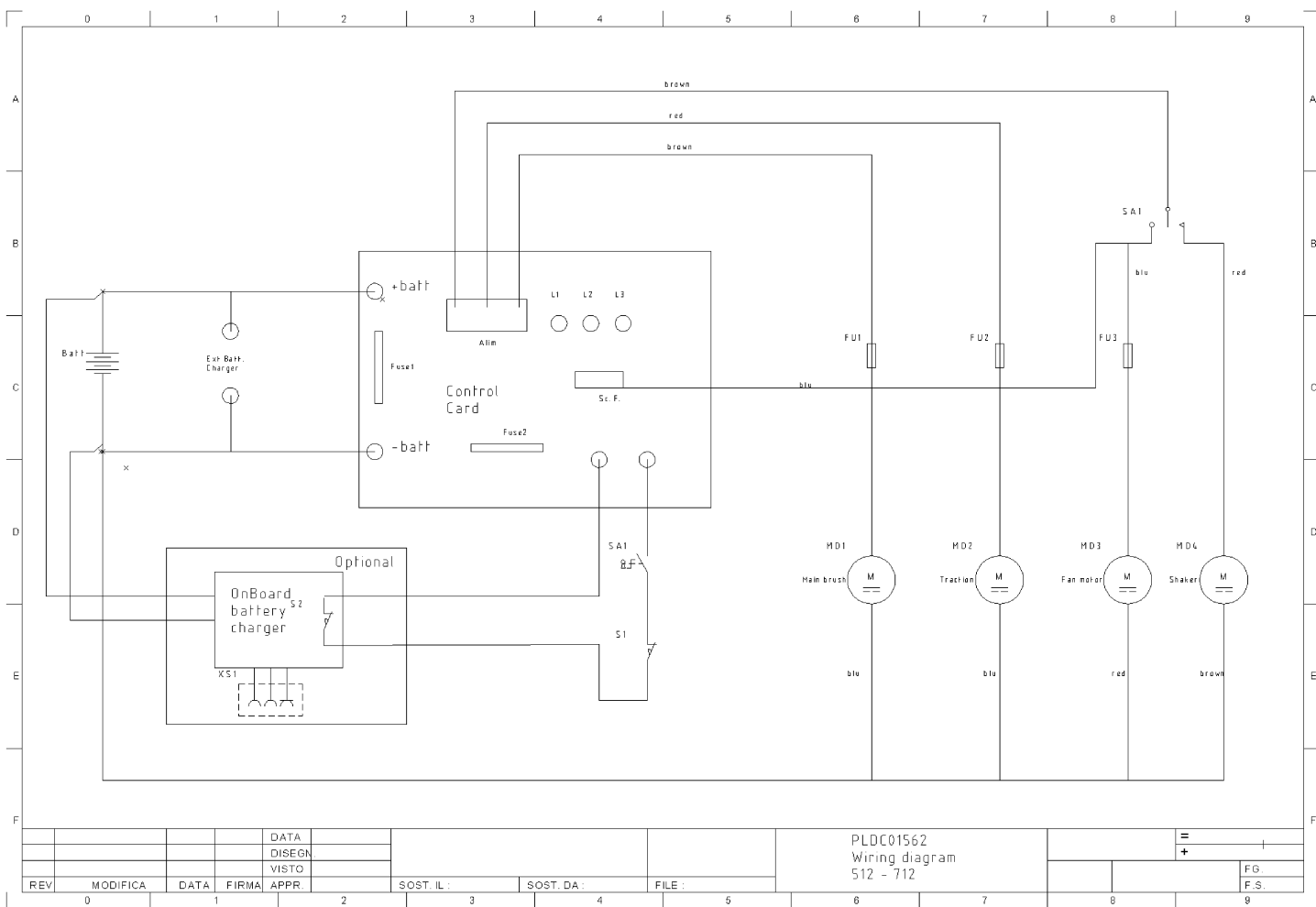
| Ref. | K | Part N. | Customer Part N. | Description | Qty | Validity: | | Price |
|------|---|-----------|------------------|------------------------------------|------|-----------|----|-------|
| | | | | | | From | To | |
| 0001 | | LAFN00335 | | RING NUT X PERNO GUIDA FRENO STAZ. | 2,00 | | | -- |
| 0002 | | LAFN00460 | | PIN BLOCC.RUOTA FRENO STAZ. | 2,00 | | | -- |
| 0003 | | MLML00012 | | SPRING COMPRES.X FRE.STAZ.L.23zb | 2,00 | | | -- |
| 0004 | | VTAE48552 | | CIRCLIP D. 6 UNI 7435 | 2,00 | | | -- |
| 0005 | | LAFN00071 | | BUSHING PORTAMOLLA FRENO DI STAZ. | 2,00 | | | -- |
| 0006 | | LAFN00459 | | PIN INNESTO FRENO STAZION. | 2,00 | | | -- |
| 0007 | | LAFN00072 | | BLOCK GUIDA PERNO INN.FRENO | 2,00 | | | -- |
| 0008 | | VTVT00045 | | SCREW AUTOF.TC UNI 6954 4,8X16 | 6,00 | | | -- |
| 0009 | | MLML00011 | | SPRING COMPRES.X FRE.STAZ.L.46zb | 2,00 | | | -- |
| 0010 | | LAFN00461 | | PIN SPINTA X FRENO STAZION. | 2,00 | | | -- |
| 0011 | | PMVR00160 | | PEDALE FRENO | 1,00 | | | -- |
| 0012 | | VTVT00045 | | SCREW AUTOF.TC UNI 6954 4,8X16 | 4,00 | | | -- |



| Ref. | K | Part N. | Customer Part N. | Description | Qty | Validity: | | Price |
|------|---|-----------|------------------|-----------------------------------|------|-----------|----|-------|
| | | | | | | From | To | |
| 0001 | | MPVR00541 | | WHEEL'S COVER D.200 NERO | 2,00 | | | -- |
| 0002 | | LAFN75838 | | BUSHING | 2,00 | | | -- |
| 0003 | | RTRT00031 | | WHEEL GOMMA D.250X55 GR.CERC.NE | 2,00 | | | -- |
| 0004 | | CUVR75815 | | BALL BEARING UBPF203 | 2,00 | | | -- |
| 0005 | | VTVR26559 | | KEY 5X5X15 | 1,00 | | | -- |
| 0006 | | ALTR00006 | | TRACTION SHAFT TK 700 H.866,2 | 1,00 | | | -- |
| 0007 | | MOCC45111 | | MOTOR D.77 24V | 1,00 | | | -- |
| 0008 | | MOCC00005 | | MOTOR.GEARBOX D.77 24V 210RPM BIG | 1,00 | | | -- |
| 0009 | | LAFN00876 | | PROTECTION | 1,00 | 07/2008 | | -- |
| 0010 | | VEVR26677 | | IMPELLER D.200 L.50HE | 1,00 | | | -- |
| 0011 | | LAFN00652 | | SUPPORT MOTORI TK ZINCATO | 1,00 | | | -- |
| 0012 | | LAFN00646 | | SUPPORT CUSCINET.6201 RIDUT.TRAZ. | 1,00 | | | -- |
| 0013 | | MTPL00013 | | PULLEY D.60 RIDUTT.TRAZ.711ET | 1,00 | | | -- |
| 0014 | | MTCG13166 | | BELT Z 30 | 1,00 | | | -- |
| 0015 | | MTPL75984 | | PULLEY D.140 | 1,00 | | | -- |
| 0016 | | MPVR00611 | | CONVEYOR ARIA VERSIONE ELETTRICA | 1,00 | | | -- |
| 0017 | | LAFN07375 | | BRACKET 712 UT | 1,00 | | | -- |
| 0018 | | LAFN00260 | | SPACER FISSEG.RUOTA ANTER.H 16 | 2,00 | | | -- |
| 0019 | | VTVT00028 | | SCREW TE UNI 5739 12X45 ZB | 2,00 | | | -- |
| 0020 | | RTRT87241 | | WHEEL D.100 | 2,00 | | | -- |
| 0021 | | VTDD00491 | | NUT M 6 TEF | 8,00 | | | -- |
| 0022 | | VTVT62920 | | SCREW TE F/ROND. M 6X 16 ZB | 4,00 | | | -- |
| 0023 | | VTDD00491 | | NUT M 6 TEF | 4,00 | | | -- |
| 0024 | | VTRS04026 | | WASHER D. 6X18X2.38 | 4,00 | | | -- |
| 0025 | | VTVR75730 | | KEY UNI 6606 3 X 3,7 | 1,00 | | | -- |
| 0026 | | VTVT14062 | | SCREW TE 5X16 UNI5739 | 2,00 | | | -- |
| 0027 | | VTRS00291 | | WASHER D. 5 X20 ZC UNI 6593 | 2,00 | | | -- |
| 0028 | | LAFN75969 | | PIN D.9 H.33 | 1,00 | | | -- |
| 0029 | | VTVT85745 | | SCREW TBEI M 6X 25 ISO 7380 ZB | 3,00 | | | -- |
| 0030 | | CUVR86373 | | BEARING 6000 2RS | 1,00 | | | -- |
| 0031 | | VTRS00291 | | WASHER D. 5 X20 ZC UNI 6593 | 1,00 | | | -- |
| 0032 | | VTVT00003 | | SCREW TE M 4X 12 ZC. UNI 5739 | 1,00 | | | -- |
| 0033 | | VTVT00527 | | SCREW TE FR 6X10 ZB ZIG. | 1,00 | | | -- |
| 0034 | | VTVT00099 | | SCREW AUTOF.TC UNI 6954 3,9X13 | 1,00 | | | -- |
| 0035 | | VTVT00099 | | SCREW AUTOF.TC UNI 6954 3,9X13 | 1,00 | | | -- |
| 0036 | | VTVT75725 | | SCREW TBEI M 6X 10 ISO 7380 ZB | 2,00 | | | -- |
| 0037 | | VTRS63242 | | WASHER D. 6 X24 ZC | 2,00 | | | -- |
| 0038 | | VTAE28493 | | CIRCLIP D. 28 UNI 7435 | 2,00 | | | -- |
| 0039 | | CUVR37341 | | ROLLER BEARING HFL 1426 | 2,00 | | | -- |



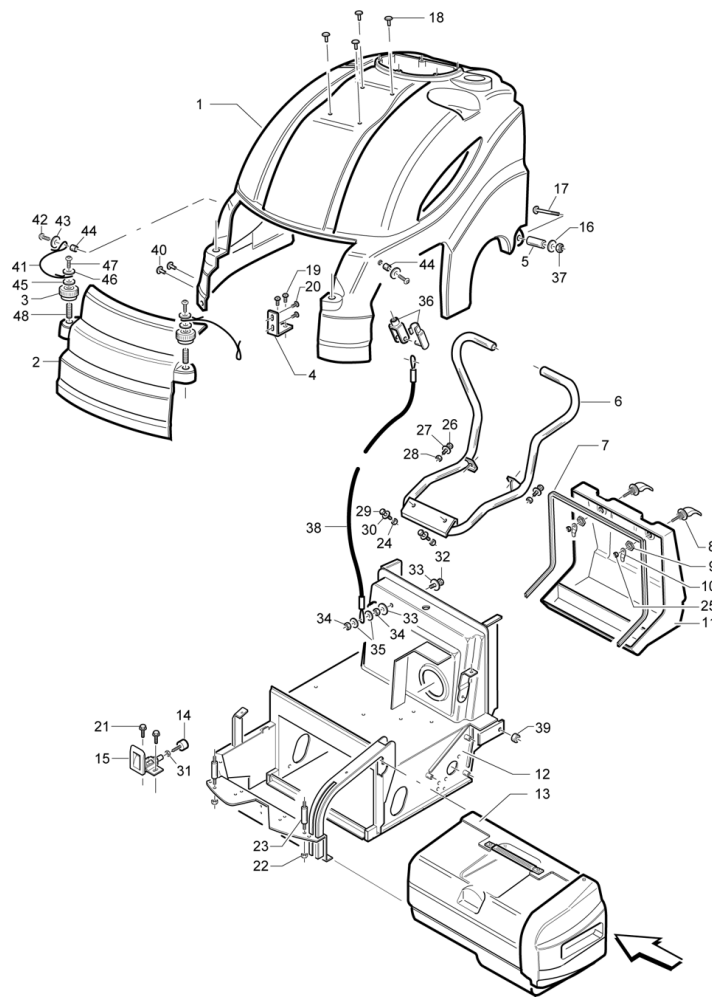
| Ref. K | Part N. | Customer Part N. | Description | Qty | Validity: | | Price |
|--------|-----------|------------------|--------------------------------|------|-----------|----|-------|
| | | | | | From | To | |
| 0040 | CUVR37344 | | ROLLER BEARING HK 1412 | 2,00 | | | -- |
| 0041 | VTAE28493 | | CIRCLIP D. 28 UNI 7435 | 1,00 | | | -- |
| 0042 | VTVT75721 | | SCREW TTDE UNI 5732 6 X 16 ZB | 4,00 | | | -- |
| 0043 | VTRS00503 | | WASHER D. 6 TE UNI 6798 | 4,00 | | | -- |
| 0044 | VTDD00491 | | NUT M 6 TEF | 4,00 | | | -- |
| 0045 | VTVT86570 | | GRUB SCREW M 6x10 UNI 5927 | 1,00 | | | -- |
| 0046 | VTAE28493 | | CIRCLIP D. 28 UNI 7435 | 1,00 | | | -- |
| 0047 | VTVT75726 | | SCREW TBEI M 6X 16 ISO 7380 ZB | 8,00 | | | -- |
| 0048 | VTRS04026 | | WASHER D. 6X18X2.38 | 8,00 | | | -- |



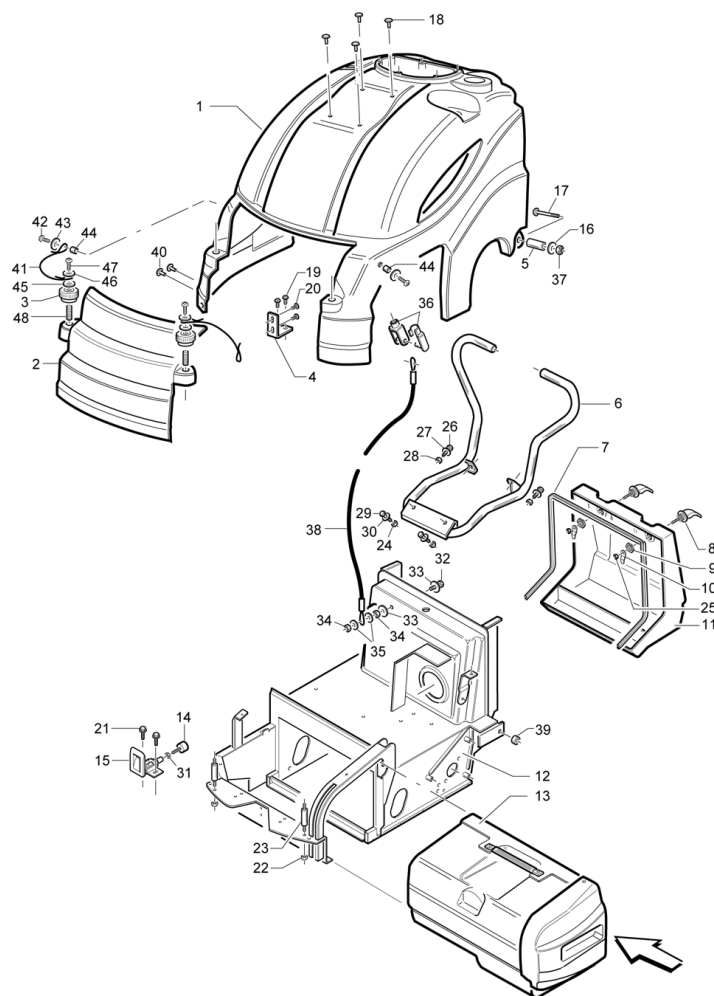
| Ref. | K | Part N. | Customer Part N. | Description | Qty | Validity: From | To | Price |
|------|---|-----------|------------------|-------------|------|-------------------|----|-------|
| FU1 | | MEVR01136 | | FUSE 30A | 1,00 | | | -- |
| FU2 | | MEVR01136 | | FUSE 30A | 1,00 | | | -- |
| FU3 | | MEVR01136 | | FUSE 30A | 1,00 | | | -- |

| 0 | 1 | 2 | 3 | 4 | 5 | 6 | 7 | 8 | 9 | | | | | | | | | | | | | | | | | | | | | | | | | | | | | | | | | | | | | | | | | |
|---|------------------|-------------------------------|----------|------------|-------------------|------------|------------------|------------|------------|-----------------|------|--|-----------------|------|--|-----------------|------|--|-----------------|------------|--|-----------------|--|--|-----------------|---|--|-----------------|--------|---|----------------|------------------|----|----------------|-------------------------------|--|------------------|-------------|---|--|--|----------|------------|-------------------|--|-----------------|------|--|--|--|
| <table border="1"> <thead> <tr> <th>Sim.\Sym</th><th>Sigla\Item</th><th>Funzione\Use Type</th></tr> </thead> <tbody> <tr> <td></td><td>Batt +0G 1</td><td>Battery</td></tr> <tr> <td></td><td>FU1 +0G 1</td><td>Fuse</td></tr> <tr> <td></td><td>FU2 +0G 1</td><td>Fuse</td></tr> <tr> <td></td><td>FU3 +0G 1</td><td>Fuse</td></tr> <tr> <td></td><td>MD1 +0G 1</td><td>Main brush</td></tr> <tr> <td></td><td>MD2 +0G 1</td><td>Traction</td></tr> <tr> <td></td><td>MD3 +0G 1</td><td>Fan motor</td></tr> <tr> <td></td><td>MD4 +0G 1</td><td>Shaker</td></tr> <tr> <td></td><td>S1 +0G 1</td><td>Hood microswitch</td></tr> <tr> <td></td><td>S2 +0G 1</td><td>Battery charger enable switch</td></tr> <tr> <td></td><td>S A1 +0G 1</td><td>TURN DN Key</td></tr> </tbody> </table> | | | Sim.\Sym | Sigla\Item | Funzione\Use Type | | Batt +0G 1 | Battery | | FU1 +0G 1 | Fuse | | FU2 +0G 1 | Fuse | | FU3 +0G 1 | Fuse | | MD1 +0G 1 | Main brush | | MD2 +0G 1 | Traction | | MD3 +0G 1 | Fan motor | | MD4 +0G 1 | Shaker | | S1 +0G 1 | Hood microswitch | | S2 +0G 1 | Battery charger enable switch | | S A1 +0G 1 | TURN DN Key | <table border="1"> <thead> <tr> <th>Sim.\Sym</th><th>Sigla\Item</th><th>Funzione\Use Type</th></tr> </thead> <tbody> <tr> <td></td><td>XS1 +0G 1</td><td>Plug</td></tr> </tbody> </table> | | | Sim.\Sym | Sigla\Item | Funzione\Use Type | | XS1 +0G 1 | Plug | | | |
| Sim.\Sym | Sigla\Item | Funzione\Use Type | | | | | | | | | | | | | | | | | | | | | | | | | | | | | | | | | | | | | | | | | | | | | | | | |
| | Batt +0G 1 | Battery | | | | | | | | | | | | | | | | | | | | | | | | | | | | | | | | | | | | | | | | | | | | | | | | |
| | FU1 +0G 1 | Fuse | | | | | | | | | | | | | | | | | | | | | | | | | | | | | | | | | | | | | | | | | | | | | | | | |
| | FU2 +0G 1 | Fuse | | | | | | | | | | | | | | | | | | | | | | | | | | | | | | | | | | | | | | | | | | | | | | | | |
| | FU3 +0G 1 | Fuse | | | | | | | | | | | | | | | | | | | | | | | | | | | | | | | | | | | | | | | | | | | | | | | | |
| | MD1 +0G 1 | Main brush | | | | | | | | | | | | | | | | | | | | | | | | | | | | | | | | | | | | | | | | | | | | | | | | |
| | MD2 +0G 1 | Traction | | | | | | | | | | | | | | | | | | | | | | | | | | | | | | | | | | | | | | | | | | | | | | | | |
| | MD3 +0G 1 | Fan motor | | | | | | | | | | | | | | | | | | | | | | | | | | | | | | | | | | | | | | | | | | | | | | | | |
| | MD4 +0G 1 | Shaker | | | | | | | | | | | | | | | | | | | | | | | | | | | | | | | | | | | | | | | | | | | | | | | | |
| | S1 +0G 1 | Hood microswitch | | | | | | | | | | | | | | | | | | | | | | | | | | | | | | | | | | | | | | | | | | | | | | | | |
| | S2 +0G 1 | Battery charger enable switch | | | | | | | | | | | | | | | | | | | | | | | | | | | | | | | | | | | | | | | | | | | | | | | | |
| | S A1 +0G 1 | TURN DN Key | | | | | | | | | | | | | | | | | | | | | | | | | | | | | | | | | | | | | | | | | | | | | | | | |
| Sim.\Sym | Sigla\Item | Funzione\Use Type | | | | | | | | | | | | | | | | | | | | | | | | | | | | | | | | | | | | | | | | | | | | | | | | |
| | XS1 +0G 1 | Plug | | | | | | | | | | | | | | | | | | | | | | | | | | | | | | | | | | | | | | | | | | | | | | | | |
| <table border="1"> <thead> <tr> <th>REV</th><th>MODIFICA</th><th>DATA</th><th>FIRMA</th><th>APPR.</th><th>SOST. IL :</th><th>SOST. DA :</th><th>FILE :</th><th></th><th></th></tr> </thead> <tbody> <tr> <td></td><td></td><td></td><td></td><td></td><td></td><td></td><td></td><td></td><td></td></tr> </tbody> </table> | | | REV | MODIFICA | DATA | FIRMA | APPR. | SOST. IL : | SOST. DA : | FILE : | | | | | | | | | | | | | PLDC01562 Wiring diagram 512 - 712 | | | <table border="1"> <tbody> <tr> <td>=</td><td>2</td></tr> <tr> <td>+</td><td></td></tr> <tr> <td>FG</td><td></td></tr> <tr> <td>F.S.</td><td></td></tr> </tbody> </table> | | | = | 2 | + | | FG | | F.S. | | | | | | | | | | | | | | | |
| REV | MODIFICA | DATA | FIRMA | APPR. | SOST. IL : | SOST. DA : | FILE : | | | | | | | | | | | | | | | | | | | | | | | | | | | | | | | | | | | | | | | | | | | |
| | | | | | | | | | | | | | | | | | | | | | | | | | | | | | | | | | | | | | | | | | | | | | | | | | | |
| = | 2 | | | | | | | | | | | | | | | | | | | | | | | | | | | | | | | | | | | | | | | | | | | | | | | | | |
| + | | | | | | | | | | | | | | | | | | | | | | | | | | | | | | | | | | | | | | | | | | | | | | | | | | |
| FG | | | | | | | | | | | | | | | | | | | | | | | | | | | | | | | | | | | | | | | | | | | | | | | | | | |
| F.S. | | | | | | | | | | | | | | | | | | | | | | | | | | | | | | | | | | | | | | | | | | | | | | | | | | |

| Ref. | K | Part N. | Customer Part N. | Description | Qty | Validity: | From | To | Price |
|------|---|-----------|------------------|-------------|------|-----------|------|----|-------|
| FU1 | | MEVR01136 | | FUSE 30A | 1,00 | | | | -- |
| FU2 | | MEVR01136 | | FUSE 30A | 1,00 | | | | -- |
| FU3 | | MEVR01136 | | FUSE 30A | 1,00 | | | | -- |



| Ref. | K | Part N. | Customer Part N. | Description | Qty | Validity: | | Price |
|------|---|-----------|------------------|-----------------------------------|------|-----------|---------|-------|
| | | | | | | From | To | |
| 0001 | | MPVR05900 | | HOOD 712 | 1,00 | | | -- |
| 0002 | | MPVR05899 | | SIDE PANEL 712 | 1,00 | | | -- |
| 0003 | | MPVR05627 | | KNOB - | 2,00 | 04/2009 | | -- |
| 0003 | | RTRT00022 | | HANDWHEEL D.30 M6X15 | 2,00 | | 03/2009 | -- |
| 0004 | | LAFN07287 | | BRACKET 512-712 | 2,00 | | | -- |
| 0005 | | LAFN04043 | | SPACER D8.5-15 | 2,00 | | | -- |
| 0006 | | LAFN07264 | | HANDLE 712 | 1,00 | | | -- |
| 0007 | | GUGO00285 | | GASKET TK1320048 | 1,00 | | | -- |
| 0008 | | PMVR00138 | | LOCK TEK | 2,00 | | | -- |
| 0009 | | LAFN00259 | | NUT CH.24 SERRATURA TEK | 2,00 | | | -- |
| 0010 | | LAFN00349 | | LEVER SERRATURA TEK ZINCATA | 2,00 | | | -- |
| 0011 | | MPVR00608 | | DRAWER POSTERIORE SILVER 710 GRI | 1,00 | | | -- |
| 0012 | | LAFN07283 | | FRAME 712 | 1,00 | | | -- |
| 0013 | | PMVR01414 | | DRAWER ANTER. 512 COMPL. | 1,00 | | | -- |
| 0014 | | ABGO00048 | | VIBRATION DAMP.- | 1,00 | 09/2008 | | -- |
| 0014 | | VTVR00038 | | FOOT D.30 M8 | 1,00 | | 09/2008 | -- |
| 0015 | | PMVR00141 | | LEVER CHIUSURA CASS.ANT.SILVER | 1,00 | | | -- |
| 0016 | | VTRS00512 | | WASHER D. 8 X24 ZC. | 2,00 | | | -- |
| 0017 | | VTVT01142 | | SCREW TTQS M8X89 | 2,00 | | | -- |
| 0018 | | VTVT01305 | | SCREW M 8X 60 TTQST UNI 5731 | 2,00 | | | -- |
| 0019 | | VTVT34115 | | SCREW TE M 5X 10 UNI 5739 | 4,00 | | | -- |
| 0020 | | VTVT34115 | | SCREW TE M 5X 10 UNI 5739 | 4,00 | | | -- |
| 0021 | | VTVT62920 | | SCREW TE F/ROND. M 6X 16 ZB | 2,00 | | | -- |
| 0022 | | VTDD00491 | | NUT M 6 TEF | 2,00 | | | -- |
| 0023 | | LAFN07271 | | PIN 512-712 | 2,00 | | | -- |
| 0024 | | VTDD00483 | | NUT M 8 ZIN UNI 5588 | 4,00 | | | -- |
| 0025 | | VTDD00057 | | NUT UNI 5589 M8 BASSO ZB | 2,00 | | | -- |
| 0026 | | VTVT00248 | | SCREW TE M&x45 UNI5739 8.8 ZNT | 4,00 | | | -- |
| 0027 | | VTRS04026 | | WASHER D. 6X18X2.38 | 4,00 | | | -- |
| 0028 | | VTDD00491 | | NUT M 6 TEF | 4,00 | | | -- |
| 0029 | | VTVT00710 | | CARRYNG BAG | 2,00 | | | -- |
| 0030 | | VTRS00504 | | WASHER D. 8 TE ZC. UNI 6592 | 4,00 | | | -- |
| 0031 | | VTDD00057 | | NUT UNI 5589 M8 BASSO ZB | 1,00 | | | -- |
| 0032 | | VTVT00448 | | SCREW TE 8X30 UNI5739 | 1,00 | | | -- |
| 0033 | | VTRS00512 | | WASHER D. 8 X24 ZC. | 2,00 | | | -- |
| 0034 | | VTDD00041 | | SELF-LOCJ.NUT M 8 UNI7473 8.8 ZNT | 2,00 | | | -- |
| 0035 | | VTRS00512 | | WASHER D. 8 X24 ZC. | 2,00 | | | -- |
| 0036 | | CMCV00001 | | FORK UNI 1676 M8X16 | 1,00 | | | -- |
| 0036 | | CMCV75718 | | CLIP UNI 1676 M8 | 1,00 | | | -- |



| Ref. | K | Part N. | Customer Part N. | Description | Qty | Validity: | | Price |
|------|---|-----------|------------------|-----------------------------------|------|-----------|----|-------|
| | | | | | | From | To | |
| 0037 | | VTDD00041 | | SELF-LOCJ.NUT M 8 UNI7473 8.8 ZNT | 2,00 | | | -- |
| 0038 | | CMCV00430 | | CABLE 512-712 | 1,00 | | | -- |
| 0039 | | LAFN00053 | | SPACER VENTOLA SU RIDUTT.D.20X11 | 2,00 | 11/2008 | | -- |
| 0040 | | RCVR00173 | | CARRYNG BAG | 6,00 | 11/2008 | | -- |
| 0041 | | CMCV00442 | | CABLE - | 2,00 | 04/2009 | | -- |
| 0042 | | VTVT00892 | | SCREW | 2,00 | 04/2009 | | -- |
| 0043 | | VTRS15958 | | WASHER D. 5 X15 UNI 6593 | 2,00 | 04/2009 | | -- |
| 0044 | | LAFN03840 | | BUSHING | 2,00 | 04/2009 | | -- |
| 0045 | | VTRS86980 | | WASHER D. 6X18 UNI6593 | 2,00 | 04/2009 | | -- |
| 0046 | | VTRS86980 | | WASHER D. 6X18 UNI6593 | 2,00 | 04/2009 | | -- |
| 0047 | | VTVT09916 | | SCREW TBEI M 6X 20 ISO 7380 ZB | 2,00 | | | -- |
| 0048 | | VTVT20261 | | SCREW EI-ST 6X20 UNI5923 | 2,00 | 04/2009 | | -- |