

IPC Integrated Professional Cleaning

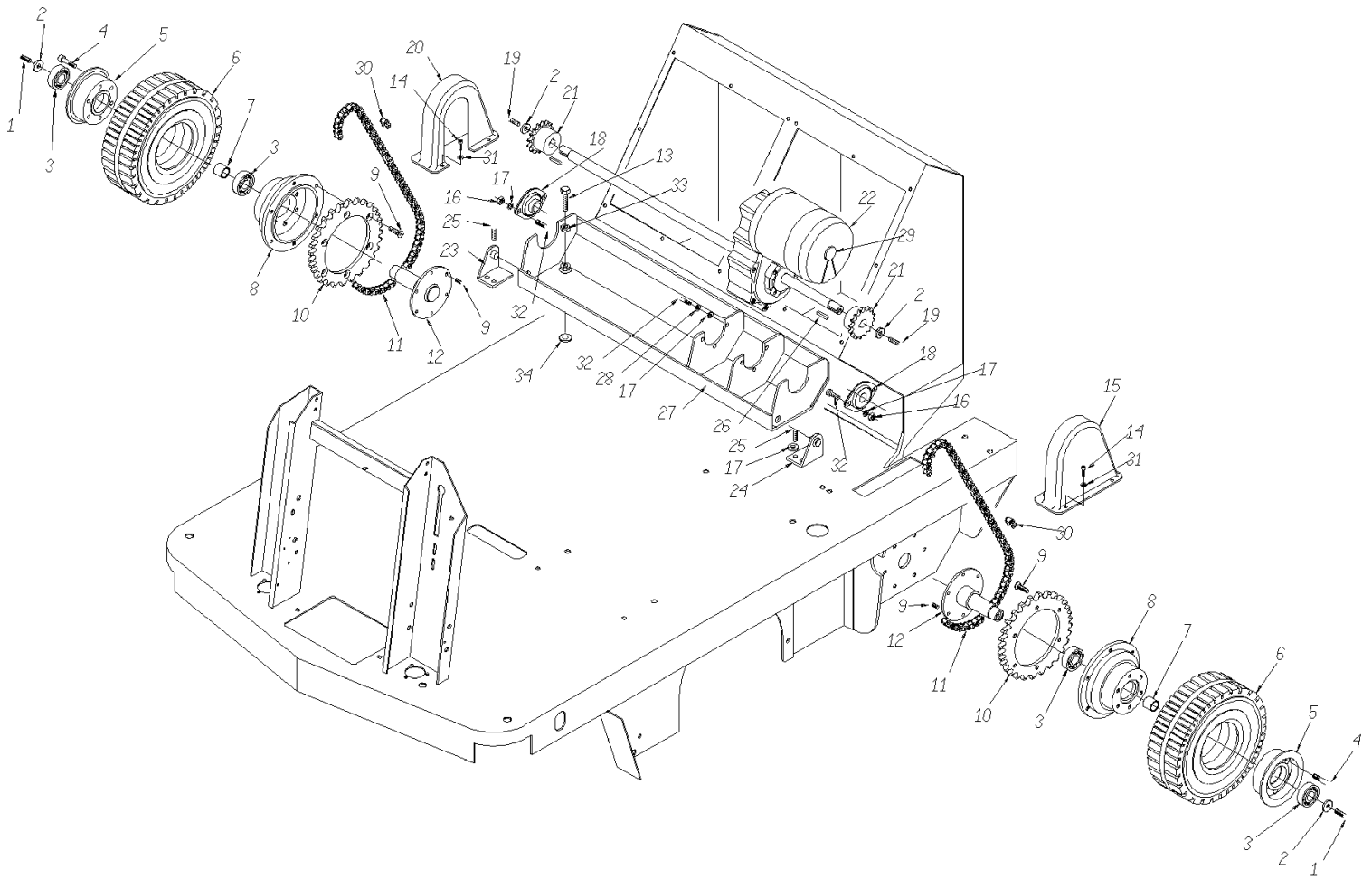
IPC Gansow

Spare Parts List

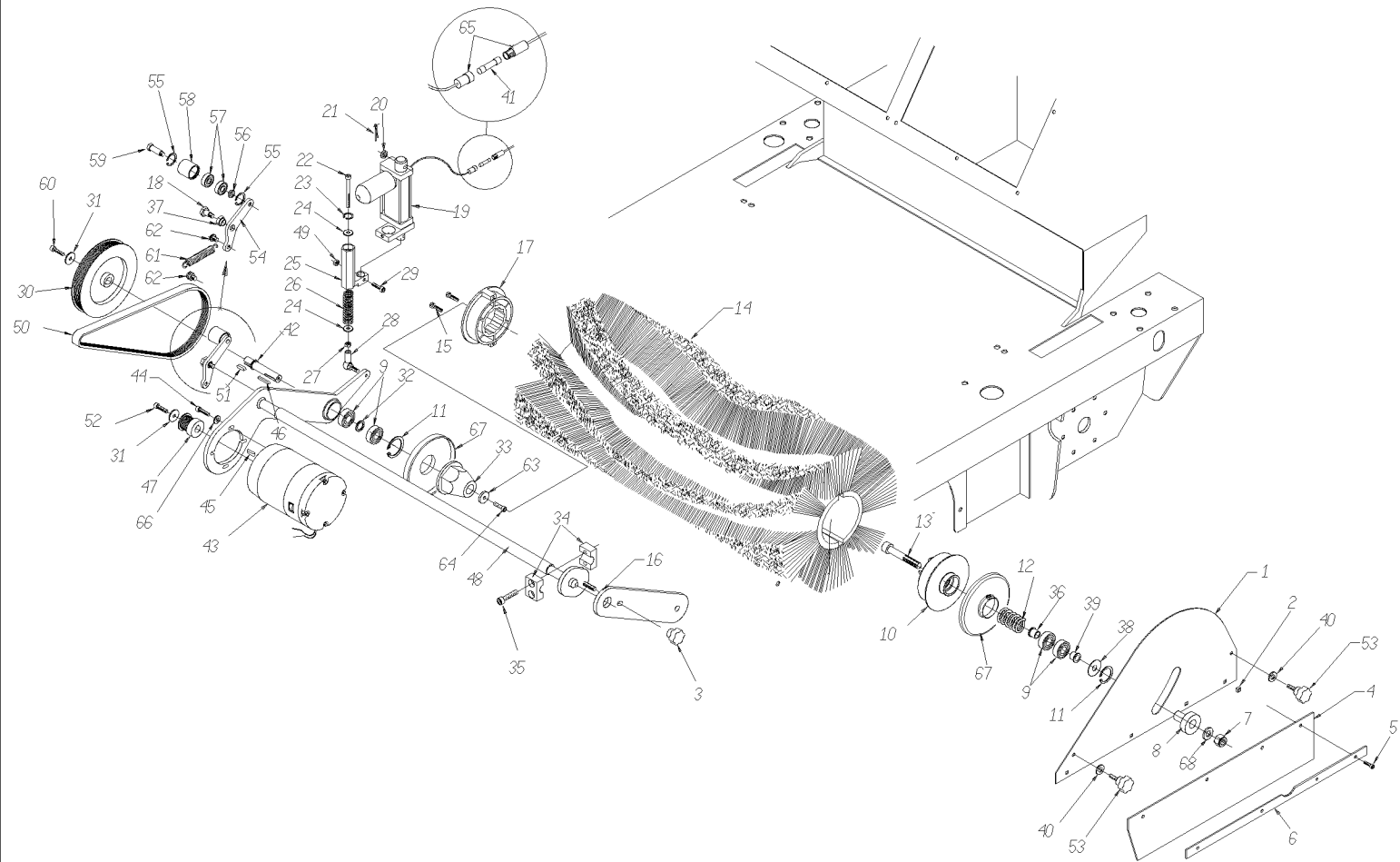
IPC EAGLE

Ref: MSUB00575

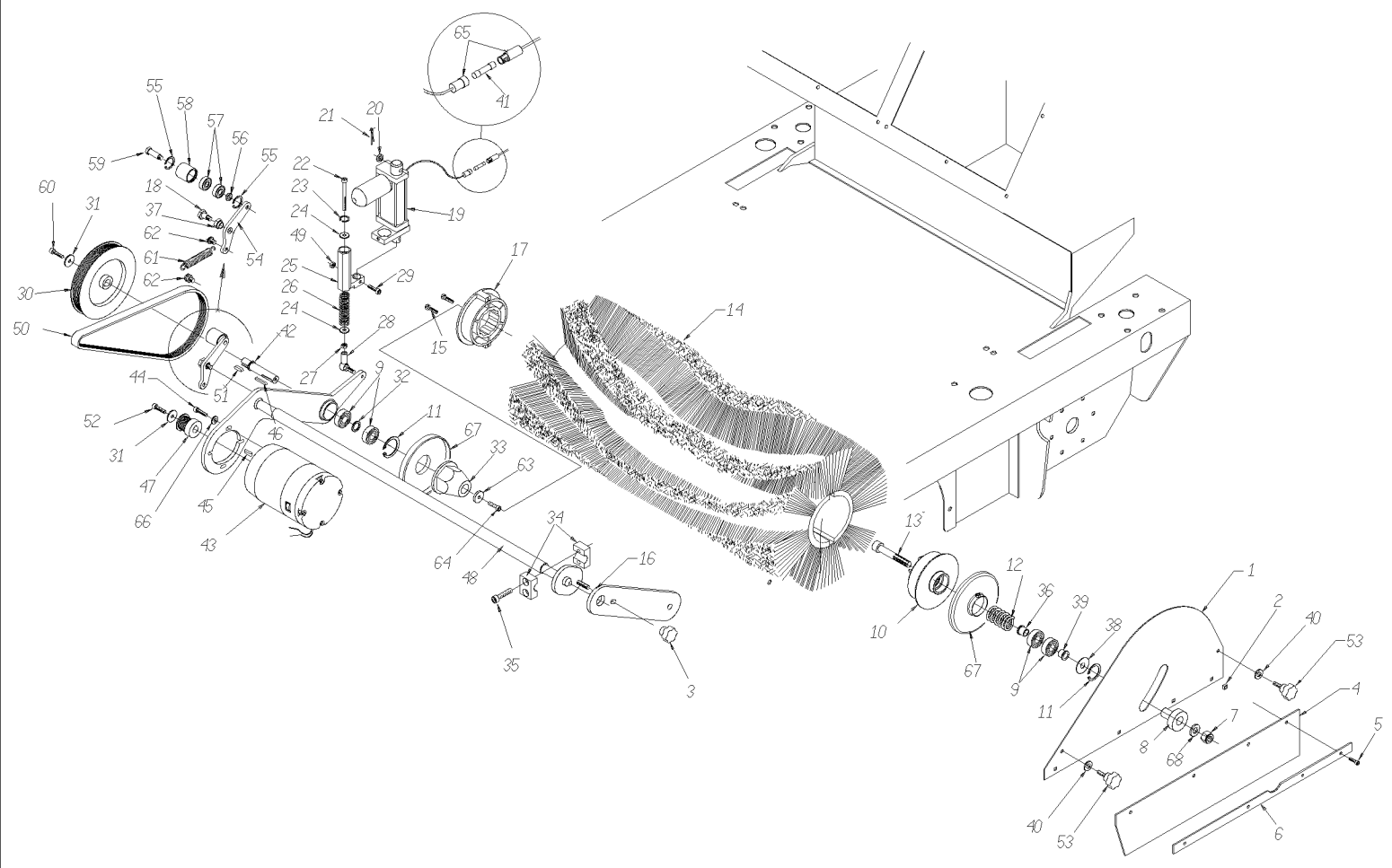
Model: 1404 DP D. GR/VE 2SP IPC



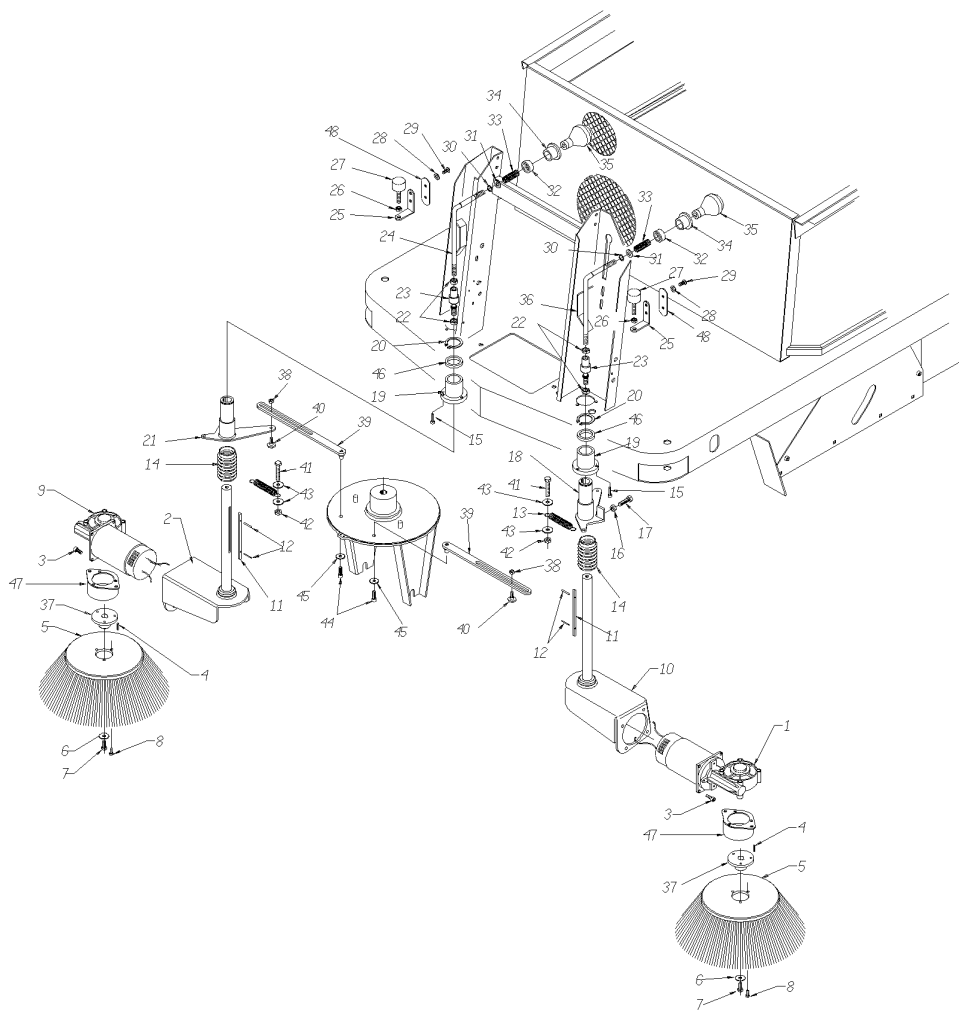
Ref. K	Part N.	Customer Part N.	Description	Qty	Validity:		Price
					From	To	
0001	VTVT87271		SCREW TBEI M 8X 16 ISO 7380	2,00			--
0002	VTRS00513		WASHER D. 8 X32 P.	4,00			--
0003	CUVR08998		BALL BEARING 6204 2RS1	4,00			--
0004	VTVT01119		SCREW TCEI 8X20 UNI5931	12,00			--
0005	LAFN45083		HUB TK1400 AN/PST.	2,00			--
0006	RTRT45132		WHEEL D.306 4.00-4 S.EL.	2,00			--
0007	LAFN45336		SPACER D. 20-24 L=22	2,00			--
0008	LAFN45084		HUB TK1400 PST.	2,00			--
0009	VTVT01534		SCREW TSPEI 8X30 UNI5933	18,00			--
0010	MTCR45337		TOOTHED WHEEL Z. 45 P 1/2"	2,00			--
0011	MTCR45085		CHAIN 1/2 TK1400 TRZ.	2,00			--
0012	LAFN45086		WHEEL SUPPORT TK1400 PST.	2,00			--
0013	VTVT01536		SCREW TE 10X45 UNI5739	2,00			--
0014	VTVT75726		SCREW TBEI M 6X 16 ISO 7380 ZB	4,00			--
0015	MPVR45338		CRANKCASE L.14 SX	1,00			--
0016	VTDD00124		NUT M 8 BASSO	4,00			--
0017	VTRS00504		WASHER D. 8 TE ZC. UNI 6592	14,00			--
0018	CUVR00105		SUPPORT	2,00	11/2010		--
0018	LAFN87166		SUPPORT	2,00		11/2010	--
0019	VTVT87271		SCREW TBEI M 8X 16 ISO 7380	2,00			--
0020	MPVR45396		CRANKCASE L.14 DX	1,00			--
0021	MTCR45897		PINION Z.12 P 1/2	2,00			--
0022	MEVR33562		CARBON 10X18X18 400W 12V	4,00			--
0022	RDGR45088		MOTOR.GEARBOX DV 1400 24V	1,00			--
0023	LAFN45397		SUPPORT L.14 DX	1,00			--
0024	LAFN45398		SUPPORT L.14 SX	1,00			--
0025	VTVT00066		SCREW TCCE UNI 5931 8X25 ZB	4,00			--
0026	VTVR23472		KEY 6X6X25	2,00			--
0027	MPVR45399		SHAFT SUPPORT L.14	1,00			--
0028	VTRS01080		WASHER D. 8 GRW	6,00			--
0029	MECI00035		DASHBOARD DI TEMPERATURA F11-95 NC	1,00			--
0030	MTCR45401		WARP KNITTING 1/2	2,00			--
0031	VTRS00503		WASHER D. 6 TE UNI 6798	2,00			--
0032	VTVT29810		SCREW TCEI M 8X20 UNI 5931	10,00			--
0033	VTDD00484		NUT M10 ZIN UNI 5588	2,00			--
0034	LAFN47016		SPACER L.14	2,00			--



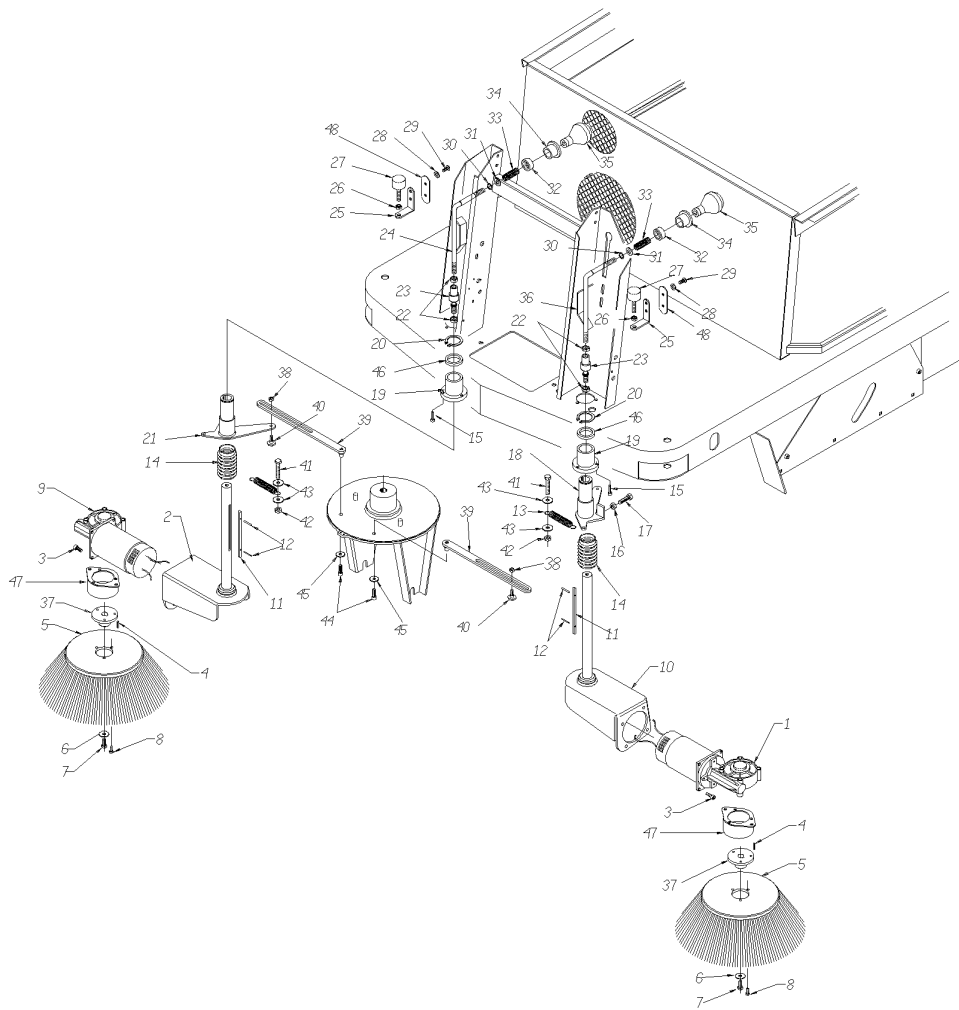
Ref.	K	Part N.	Customer Part N.	Description	Qty	Validity:		Price
						From	To	
0001		LAFN06600		BUMPER FRONTALE F1150	1,00			--
0002		VTVR47015		INSERT PLS. D.3	4,00			--
0003		VTVR00047		HANDWHEEL D.50 M8	1,00			--
0004		MPVR04669		FLAP LATERALE	1,00			--
0005		VTVT00044		SCREW TC AF.X PLAS UNI9707 4X16	4,00			--
0006		LAFN06601		PLATE FISSA FLAP	1,00			--
0007		VTDD00012		NUT AUTOBLOK DIN 985 M12 ZB	1,00			--
0008		LAFN06836		PIN CENTRAGGIO PROTEZIONE	1,00			--
0009		CUVR17004		BALL BEARING 6202 -2RS1	4,00			--
0010		MPVR04923		SUPPORT SPAZZOLA CENTRALE	1,00			--
0011		VTAE00076		CIRCLIP D.37 DIN 472	2,00			--
0012		MLML00295		SPRING SPAZZOLA CENTRALE	1,00			--
0013		VTVT01128		SCREW TCCE UNI 5931 12X120 ZB	1,00			--
0014		SPPV43840		BRUSH D.330x800 ST.MD.	1,00			--
0015		VTVT47049		SCREW ATF TSP-TC 3,5X45 U.6955	2,00			--
0016		LAFN47050		LATERAL ARM L.14	1,00			--
0017		LAFN45099		DRIVE DISK TK1400	1,00			--
0018		LAFN47051		PIN L.14	1,00			--
0019		MECB00956		WIRING ATTUATORE	1,00			--
0020		VTRS00503		WASHER D. 6 TE UNI 6798	1,00			--
0021		VTVR47052		SPLIT PIN "R" D. 2 X 43 ZC	1,00			--
0022		VTVT37013		SCREW TE M 6X100 UNI 5737	1,00			--
0023		VTAE00009		SEEGER INTERNO DIN 472 D.20	1,00			--
0024		LAFN00124		BUSHING BATTUTA CILINDRO	2,00			--
0025		MPVR45279		CASE TK1400	1,00			--
0026		MLML45281		SPRING TK1400	1,00			--
0027		VTDD00482		NUT M 6 ZIN UNI 5588	1,00			--
0028		VTVR45280		ARTICULATION AS M6	1,00			--
0029		VTVT00008		SCREW TE UNI 5739 6X30 ZB	1,00			--
0030		MTPL47054		PULLEY POLY-V J8 D. 155	1,00			--
0031		VTRS63242		WASHER D. 6 X24 ZC	2,00			--
0032		LAFN06823		SPACER L.14	1,00			--
0033		MPVR04915		HUB TRASCINATORE SPAZZ. CENT.	1,00			--
0034		LAFN47055		HOSE COLLAR C3 D.18	4,00			--
0035		VTVT06236		SCREW TCEI 6X40 UNI5931	4,00			--
0036		LAFN06782		BUSHING PER CUSCINETTO	1,00			--
0037		LAFN47033		BUSHING L.14	1,00			--
0038		VTRS00553		WASHER PARAPOLVERE	1,00			--
0039		LAFN06783		BUSHING PER CUSCINETTO 1	1,00			--



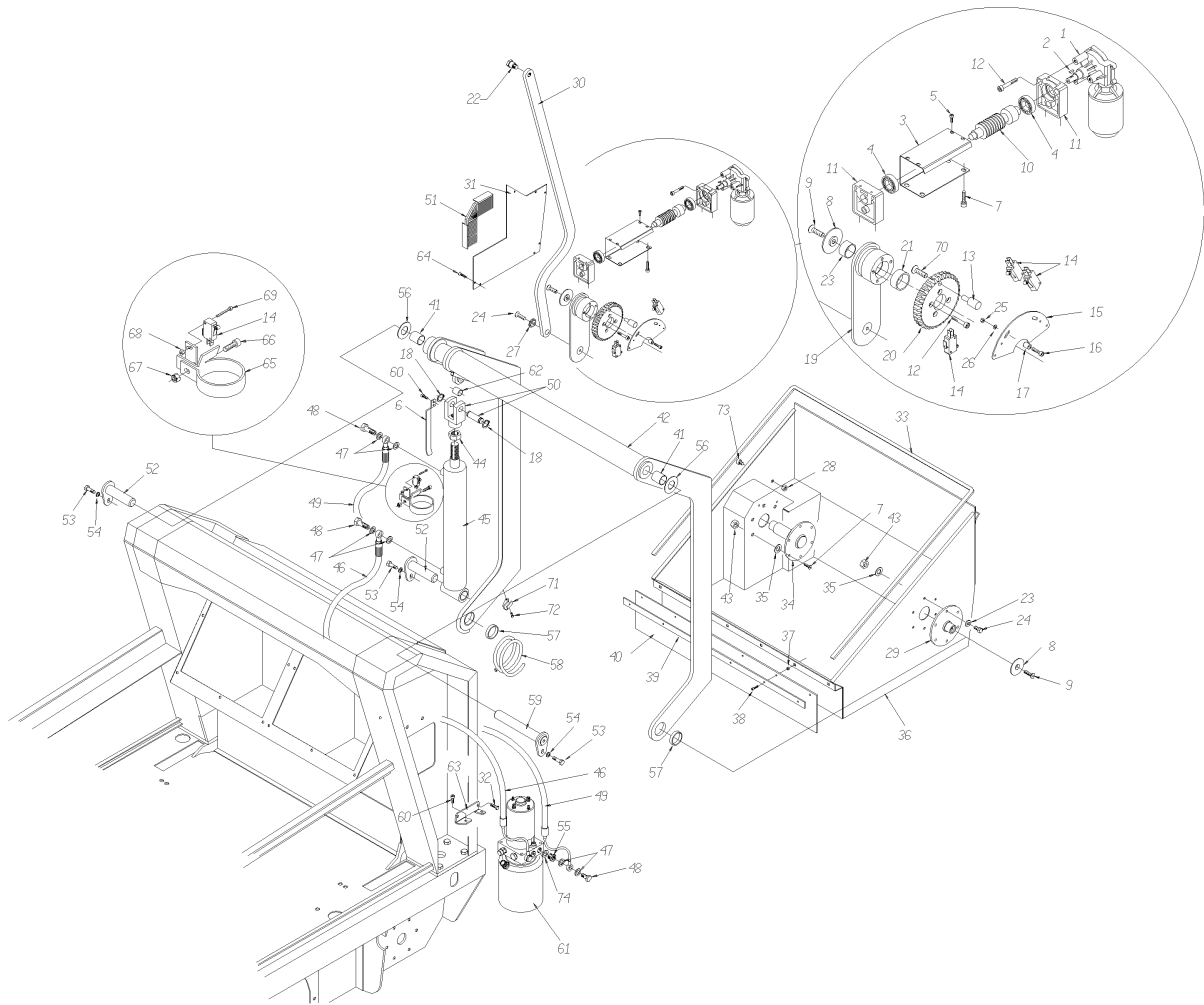
Ref.	K	Part N.	Customer Part N.	Description	Qty	Validity:		Price
						From	To	
0040		VTRS00504		WASHER D. 8 TE ZC. UNI 6592	2,00			--
0041		MEVR00079		FUSE 3.15A 250V 5X20	1,00			--
0042		LAFN06687		PIN S.C. 1404	1,00			--
0043		MOCC00275		MOTOR SPAZZOLA CENTRALE	1,00			--
0044		VTVT06237		SCREW TCEI 6X20 UNI5931	4,00			--
0045		VTVR13165		KEY 5X5X20	1,00			--
0046		VTVR00006		KEY UNI 6604 4X4X35	1,00			--
0047		MTPL45101		PULLEY POLY-V J8 TK1400	1,00			--
0048		LAFN06828		ARM MAIN BRUSH 1404	1,00			--
0049		VTDD19688		NUT M6 UNI 7473	1,00			--
0050		MTCG44767		BELT POLY-V J8 864-340	1,00			--
0051		VTVR13165		KEY 5X5X20	1,00			--
0052		VTVT24209		SCREW TCEI 6X12 UNI5931	1,00			--
0053		RTRT00022		HANDWHEEL D.30 M6X15	2,00			--
0054		LAFN47059		BELT-STRETCHER L.14	1,00			--
0055		VTAE00008		SEEGER INTERNO DIN 472 D.26	2,00			--
0056		LAFN47060		SPACER L.14	1,00			--
0057		CUVR86373		BEARING 6000 2RS	2,00			--
0058		MTPL47061		ROLLER L.14	1,00			--
0059		LAFN47062		PIN L.14	1,00			--
0060		VTVT24209		SCREW TCEI 6X12 UNI5931	1,00			--
0061		MLML75961		SPRING D. 16 L.80	1,00			--
0062		VTVT45395		SCREW TBEI M 8X 10 ISO 7380 ZB	2,00			--
0063		VTRS04026		WASHER D. 6X18X2.38	1,00			--
0064		VTVT24209		SCREW TCEI 6X12 UNI5931	1,00			--
0065		MEVR00080		FUSE-HOLDER PV610 10A	1,00			--
0066		VTRS04026		WASHER D. 6X18X2.38	4,00			--
0067		LAFN06837		PROTECTION SPAZZOLA CENTRALE	2,00			--
0068		VTRS00506		WASHER D.12 UNI 6592	1,00			--



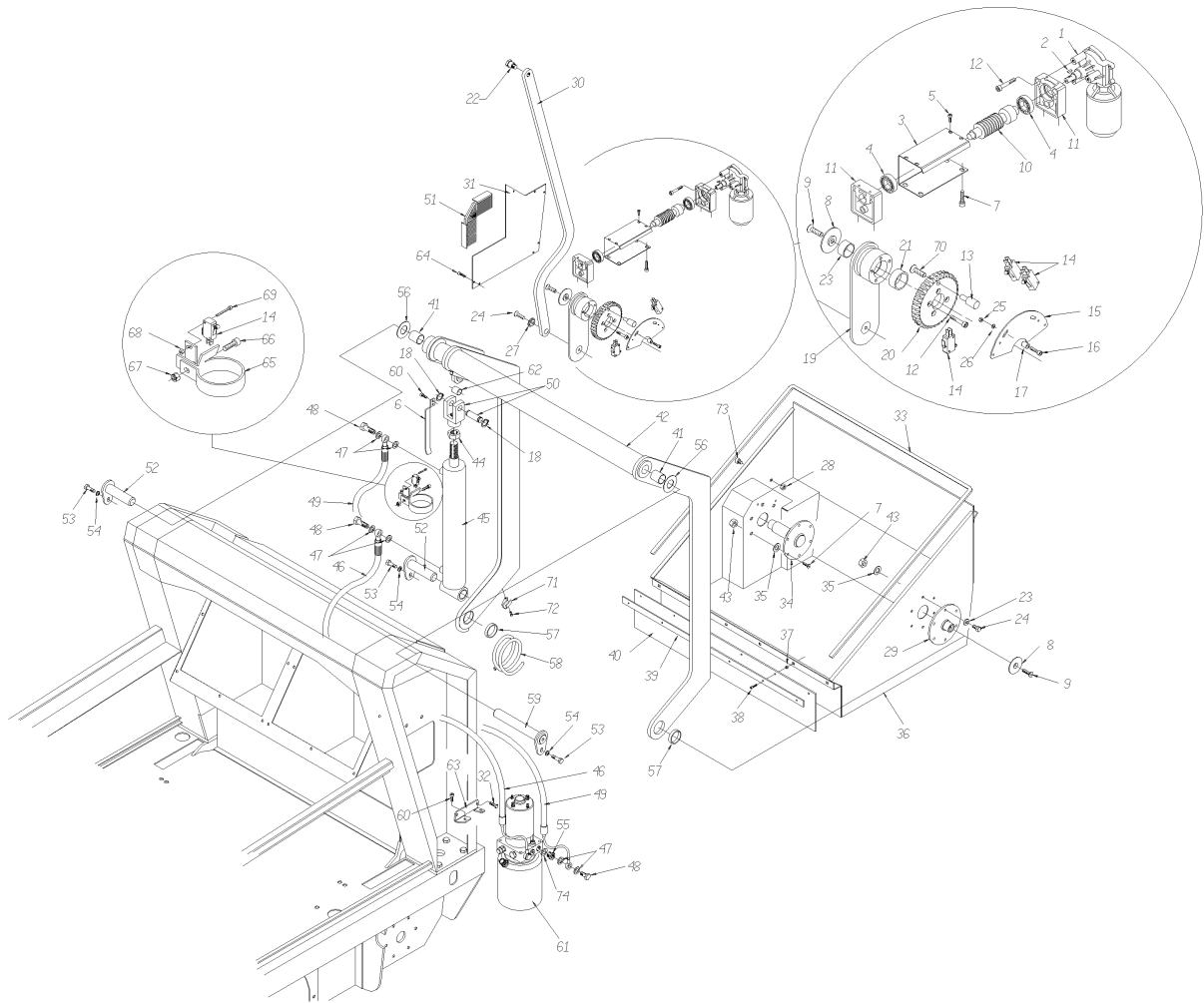
Ref.	K	Part N.	Customer Part N.	Description	Qty	Validity:		Price
						From	To	
0001		RDGR44777		MOTOR.GEARBOX AOMP140 24V 90W SX	1,00			--
0002		LAFN47063		MOTOR SUPPORT L.14 DX	1,00			--
0003		VTVT06237		SCREW TCEI 6X20 UNI5931	8,00			--
0004		VTVR33667		KEY 5x 5x25 UNI 6604A	2,00			--
0005		SPPV43844		SIDE-BRUSH D. 500 ST.MD.	2,00			--
0006		VTRS63242		WASHER D. 6 X24 ZC	2,00			--
0007		VTVT75719		SCREW TE F/ROND. M 6 X 10	2,00			--
0008		VTVT62920		SCREW TE F/ROND. M 6X 16 ZB	6,00			--
0009		RDGR44776		MOTOR.GEARBOX AOMP140 24V 90W DX	1,00			--
0010		LAFN47064		MOTOR SUPPORT L.14 SX	1,00			--
0011		VTVR47065		KEY 6X 6X130 UNI 6604	2,00			--
0012		VTVR00009		ELASTIC PLUG DIN 1481 3X20	4,00			--
0013		MLML45102		SPRING TR	2,00			--
0014		MPVR47066		PROTECTOR L.14	2,00			--
0015		VTVT09913		SCREW TCEI 6X16 UNI5931	6,00			--
0016		VTDD00483		NUT M 8 ZIN UNI 5588	6,00			--
0017		VTVT00017		SCREW TE UNI 5739 8X35 ZB	2,00			--
0018		LAFN47067		GUIDE L.14 SX	1,00			--
0019		LAFN47070		FLANGE L.14 LT.	2,00			--
0020		VTAE12644		CIRCLIP D. 30 UNI 7435	2,00			--
0021		LAFN47071		GUIDE L.14 DX	1,00			--
0022		VTDD00484		NUT M10 ZIN UNI 5588	4,00			--
0023		VTVR47072		ARTICULATION AS M10	2,00			--
0024		LAFN47073		ARM L.14 DX	1,00			--
0025		MPVR86579		SUPPORT TK	2,00			--
0026		VTDD00482		NUT M 6 ZIN UNI 5588	2,00			--
0027		ABGO00008		VIBRATION DAMP.PM 20X20 M6X20	2,00	11/2012		--
0027		MPVR75799		FOOT 20x9 M 6x18	2,00		11/2012	--
0028		VTRS04026		WASHER D. 6X18X2.38	4,00			--
0029		VTVT75726		SCREW TBEI M 6X 16 ISO 7380 ZB	4,00			--
0030		VTAE87276		SEEGER EXT. D10 DIN471	2,00			--
0031		VTRS00505		WASHER D.10 TE UNI 6592	2,00			--
0032		MPVR47074		BUSHING L.14 INT.	2,00			--
0033		MLML47075		SPRING D.15X 24 X1.5	2,00			--
0034		MPVR47076		BUSHING L.14 EXT.	2,00			--
0035		MPVR47077		KNOB L.14	2,00			--
0036		LAFN47078		ARM L.14 SX	1,00			--
0037		LAFN45010		FLANGE L.1400 LT.	2,00			--
0038		VTDD00491		NUT M 6 TEF	2,00			--



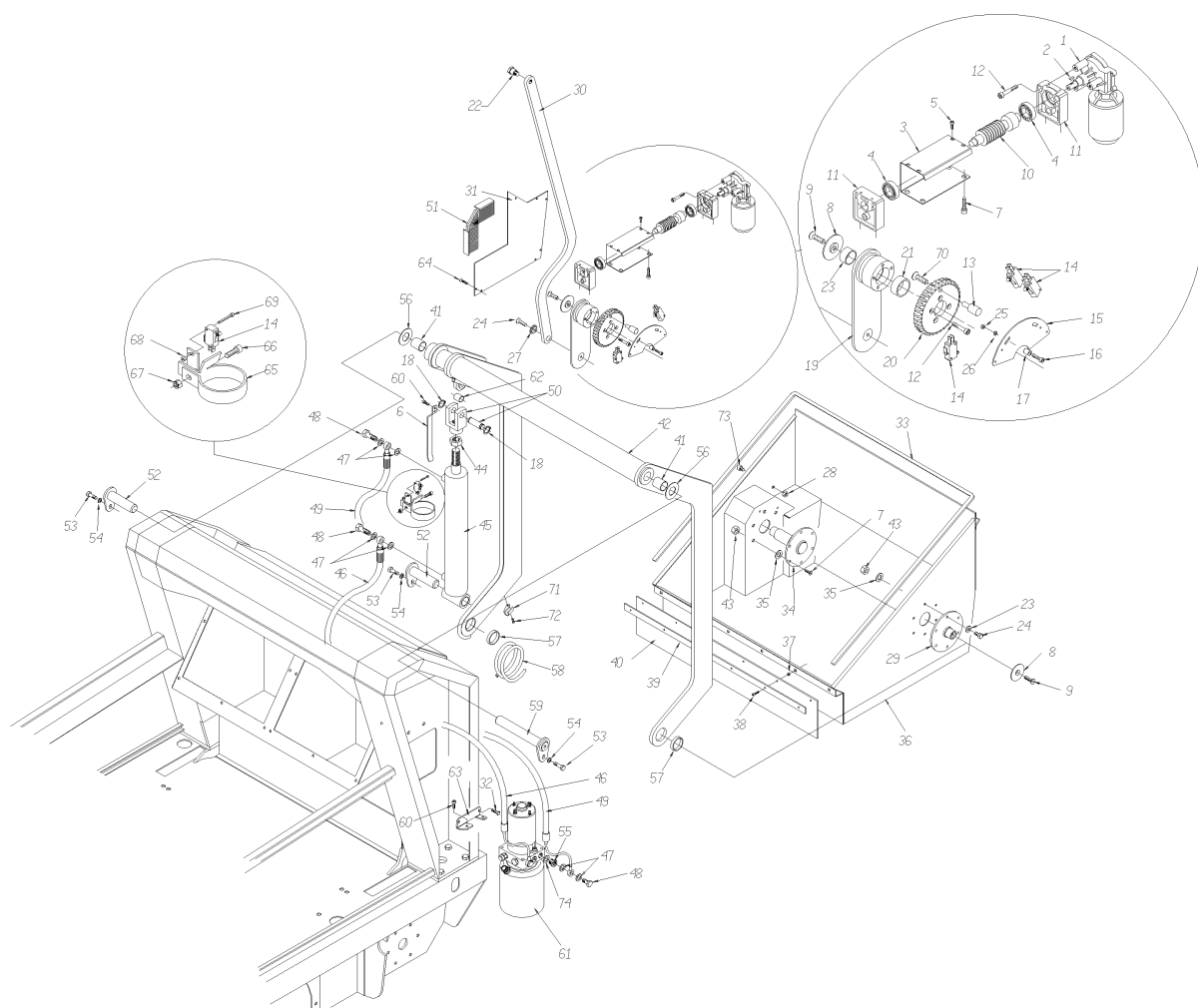
Ref. K	Part N.	Customer Part N.	Description	Qty	Validity:		Price
					From	To	
0039	LAFN47079		ROD L.14	2,00			--
0040	LAFN47080		SCREW L.14	2,00			--
0041	VTVT00450		SCREW TE 8X40 UNI5739	2,00			--
0042	VTDD00124		NUT M 8 BASSO	2,00			--
0043	VTRS00512		WASHER D. 8 X24 ZC.	4,00			--
0044	VTVT00058		SCREW TCEI M 5X12 ZB U.5931	2,00			--
0045	VTRS00291		WASHER D. 5 X20 ZC UNI 6593	2,00			--
0046	LAFN47081		SPACER L.14	2,00			--
0047	LAFN06834		PROTECTION SPAZZOLA LATERALE	2,00			--
0048	LAFN06795		BRACKET LEVE SPAZZOLE LATERALI	2,00			--



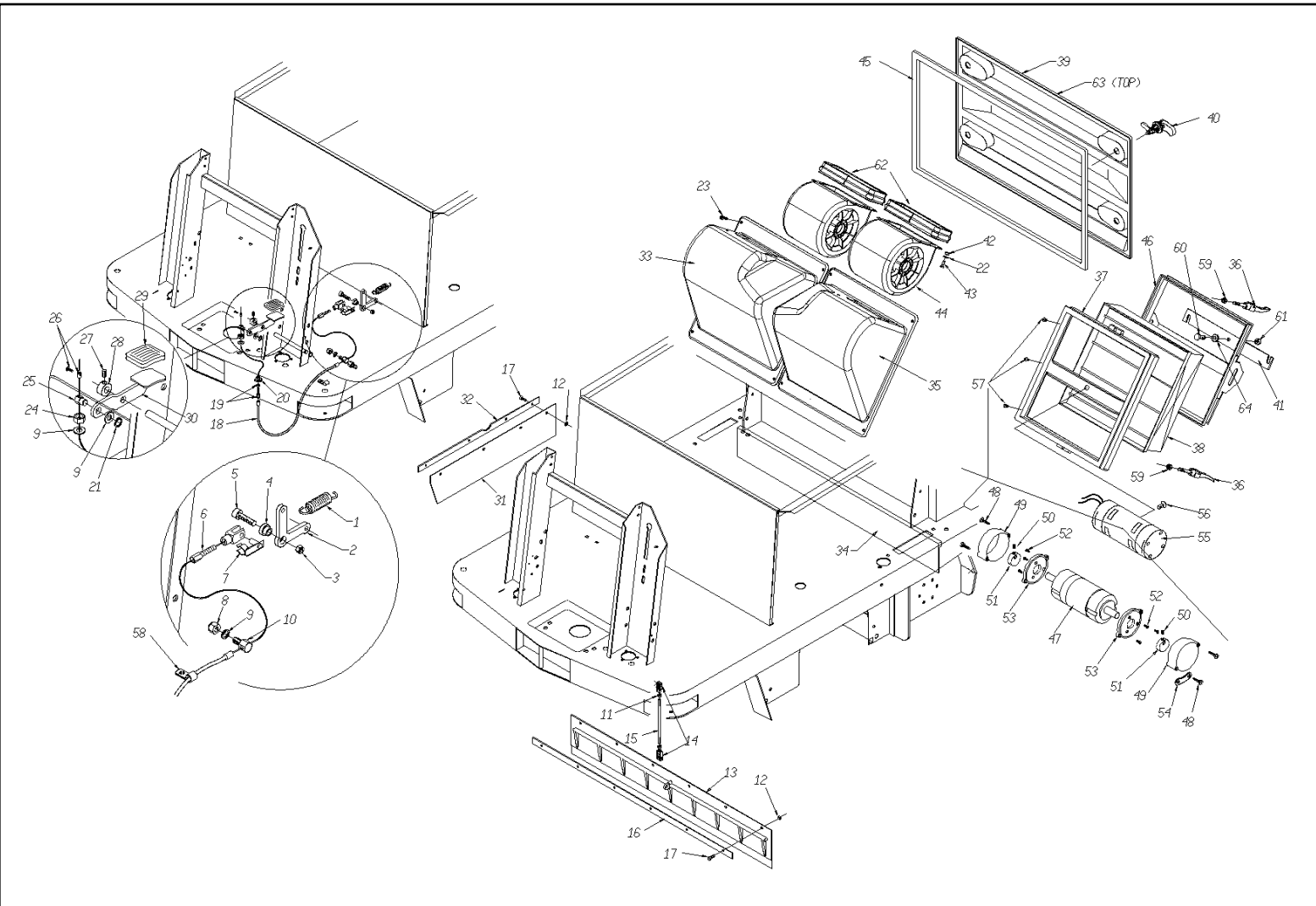
Ref.	K	Part N.	Customer Part N.	Description	Qty	Validity:		Price
						From	To	
0001		RDGR31335		MOTOR.GEARBOX L. 70TE	1,00			--
0002		VTVR75730		KEY UNI 6606 3 X 3,7	1,00			--
0003		LAFN45321		COVER L.14	1,00			--
0004		CUVR06174		BALL BEARING 6002-2RS1	2,00			--
0005		VTVT00098		SCREW AUTOF.TC UNI 6954 3,9X9,5	4,00			--
0006		LAFN47093		ECCENTRIC CAM L.14	1,00			--
0007		VTVT62920		SCREW TE F/ROND. M 6X 16 ZB	10,00			--
0008		LAFN47094		SPACER L.14	2,00			--
0009		VTVT45340		SCREW TSPEI 8X16 UNI5933	2,00			--
0010		MTIG45320		TOOTHED WHEEL L.14	1,00			--
0011		LAFN45319		SUPPORT L.14	2,00			--
0012		VTVT06237		SCREW TCEI 6X20 UNI5931	7,00			--
0013		LAFN45233		PAWL TK1400	1,00			--
0014		MECI44780		MICROSWITCH D2VW-5L2A-1M OMR	4,00			--
0015		LAFN45283		PLATE TK1400	1,00			--
0016		VTVT19236		SCREW TCEI 5X20 UNI 5931	2,00			--
0017		LAFN47095		SPACER D. 6-10 L= 8	2,00			--
0018		VTAE17003		CIRCLIP D. 15 UNI 7435	2,00			--
0019		LAFN47096		CONNECTING ROD L.14 CASS.	1,00			--
0020		MTCR46479		TOOTHED WHEEL L.14 EL.	1,00			--
0021		MPVR47097		BUSHING D. 30X34X15 GLYC.	1,00			--
0022		LAFN47098		PIN L.14 PARALL.	1,00			--
0023		MPVR00006		BUSHING GLYCODUR GLY.PG 25-28-15F	1,00			--
0024		VTVT62920		SCREW TE F/ROND. M 6X 16 ZB	6,00			--
0025		VTDD00040		NUT M5 UNI7474	2,00			--
0026		VTRS00502		WASHER D. 5 0.466 UNI 6592	4,00			--
0027		LAFN47099		SPACER L.14	1,00			--
0028		VTDD00124		NUT M 8 BASSO	2,00			--
0029		LAFN47100		PIN L.14 SX	1,00			--
0030		LAFN47101		ARM L.14	1,00			--
0031		LAFN45284		BOX COVER TK1400	1,00			--
0032		VTVT75719		SCREW TE F/ROND. M 6 X 10	2,00			--
0033		GUVR45103		GASKET TK1400	1,00			--
0034		LAFN47102		PIN L.14 DX	1,00			--
0035		VTRS00503		WASHER D. 6 TE UNI 6798	18,00			--
0036		LAFN47103		DRAWER L.14	1,00			--
0037		VTVR47015		INSERT PLS. D.3	6,00			--
0038		VTVT00106		SCREW AUTOFIL. TC 3,5X14,5	6,00			--
0039		LAFN47104		DUCT LOCK FLAP	1,00			--



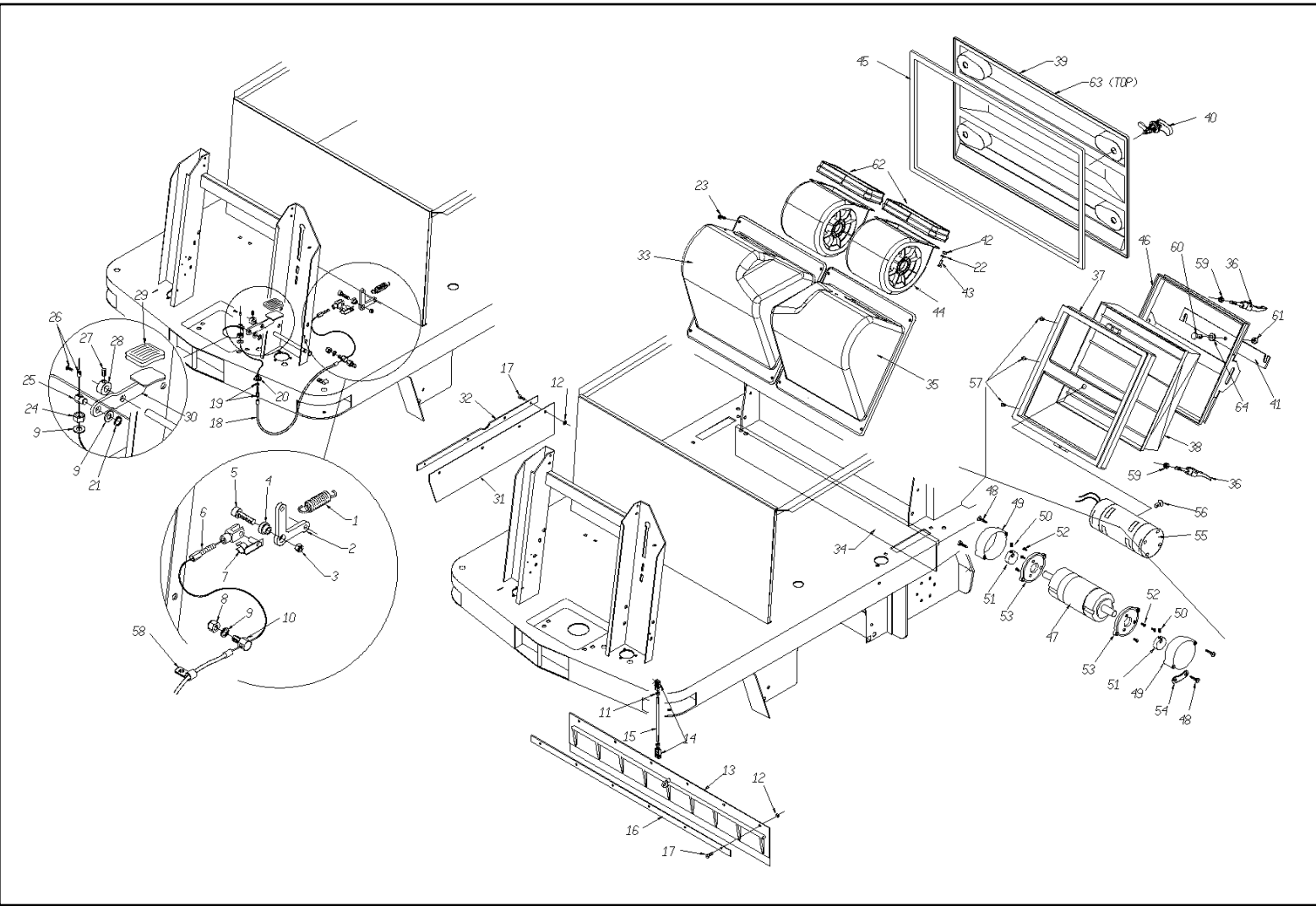
Ref.	K	Part N.	Customer Part N.	Description	Qty	Validity:		Price
						From	To	
0040		MPVR45104		RUBBER FLAP L.1400	1,00			--
0041		MPVR47105		BUSHING D. 25X28X25 GLYC.	2,00			--
0042		LAFN47106		ARM L.14	1,00			--
0043		VTDD00491		NUT M 6 TEF	12,00			--
0044		VTDD46131		NUT M20 ZC UNI 5589 PG	1,00			--
0045		PIID45105		PISTON D.50 ST25	1,00			--
0046		TBAP45106		HOSE-FITTING 3/16 L.14	1,00			--
0047		VTRS00037		WASHER IN DAWTY 1/8	8,00			--
0048		RCDS47107		SCREW G 1/8	4,00			--
0049		TBAP45107		HOSE-FITTING 3/16 L.14	1,00			--
0050		CMCV47108		FORK M20 X15 +PN.	1,00			--
0051		LAFN01089		PROTECTION ANTIPOLVERE TK1400	1,00			--
0052		LAFN47110		PIN L.14 DX	2,00			--
0053		VTVT09916		SCREW TBEI M 6X 20 ISO 7380 ZB	3,00			--
0054		VTRS63242		WASHER D. 6 X24 ZC	3,00			--
0055		RCVR00081		REDUCTION X CENTRALINA IDRAUL.1400	2,00	01/2009		--
0055		RCVR00081		REDUCTION X CENTRALINA IDRAUL.1400	2,00		07/2007	--
0055		RCVR00191		REDUCTION 1/4"M-1/8"F L=25	2,00	08/2007	01/2009	--
0056		VTRS47111		WASHER D.25 X50 X1.5 PVC	2,00			--
0057		LAFN47123		BUSHING L.14	2,00			--
0058		MPVR45285		SHEATH TK1400	1,00			--
0059		LAFN47124		PIN L.14 SX	1,00			--
0060		VTVT17639		SCREW TCEI M 5X10 UNI 5931	2,00	01/2009		--
0060		VTVT17639		SCREW TCEI M 5X10 UNI 5931	4,00		07/2007	--
0060		VTVT75725		SCREW TBEI M 6X 10 ISO 7380 ZB	2,00	08/2007	01/2009	--
0061		PPEL00023		MOTOR-DRIV.PUMPIDR.24V UP50K5 ON 130	1,00	08/2007	01/2009	--
0061		PPEL45108		MOTOR-DRIV.PUMPIDR. 24V L.14	1,00	01/2009		--
0061		PPEL45108		MOTOR-DRIV.PUMPIDR. 24V L.14	1,00		07/2007	--
0062		MPVR47125		BUSHING D. 16X18X20 GLYC.	1,00			--
0063		LAFN07405		BRACKET ELETTROPOMPA 1404	1,00	08/2007	01/2009	--
0063		LAFN47126		SUPPORT BRACKETL.14	1,00	01/2009		--
0063		LAFN47126		SUPPORT BRACKETL.14	1,00		07/2007	--
0064		VTVT00099		SCREW AUTOF.TC UNI 6954 3,9X13	4,00			--
0065		LAFN47127		SUPPORT MICRO.L.14	1,00			--
0066		VTVT09916		SCREW TBEI M 6X 20 ISO 7380 ZB	1,00			--
0067		VTDD19688		NUT M6 UNI 7473	1,00			--
0068		VTDD00001		NUT UNI 5588 M3 ZB	1,00			--
0069		VTVT00019		SCREW TE UNI 5739 3X20 ZB	4,00			--
0070		VTVT00299		SCREW TSPEI M6x25 UNI5933	1,00			--



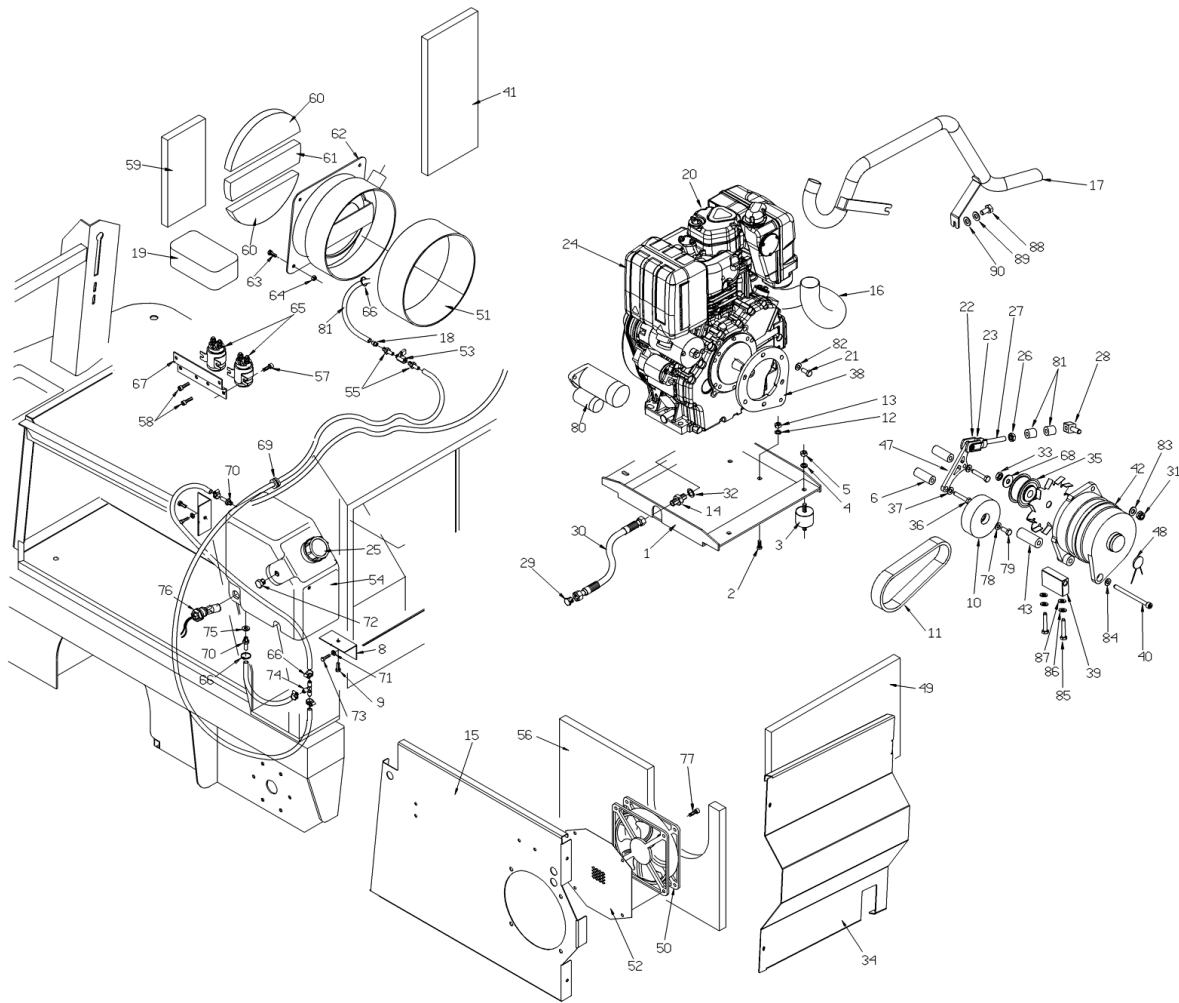
Ref.	K	Part N.	Customer Part N.	Description	Qty	Validity:		Price
						From	To	
0071		LAFN45717		PLATE L.14	1,00			--
0072		VTVT00089		SCREW TCCE UNI 5931 4X10 ZB	1,00			--
0073		VTVT19472		SCREW TCEI M 8X10 UNI 5931	2,00			--
0074		VTRS04931		WASHER COPPER D.13X19X1.5	2,00	08/2007		--



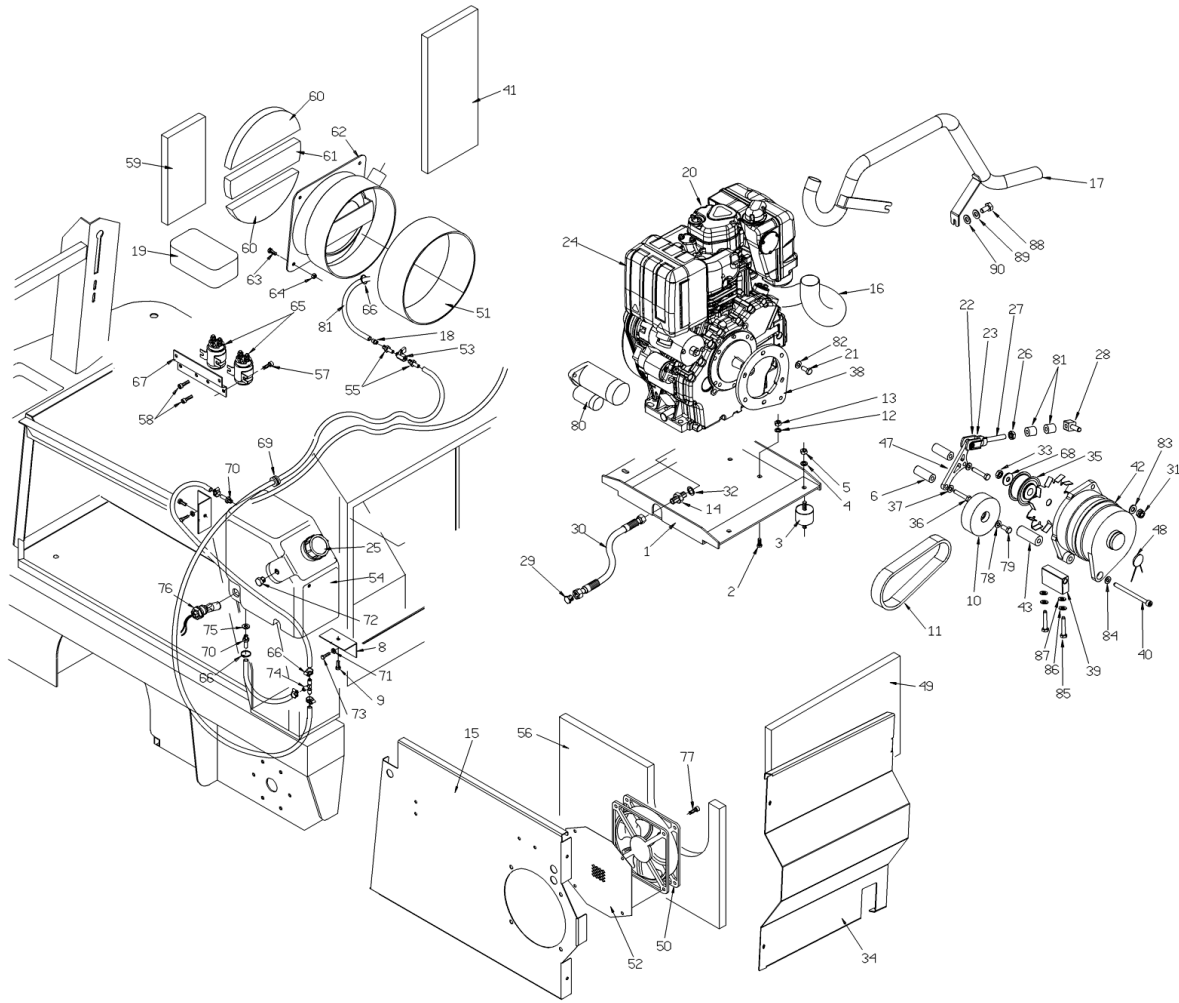
Ref.	K	Part N.	Customer Part N.	Description	Qty	Validity:		Price
						From	To	
0001		MLML45109		SPRING TR D. 12X1.7X79.5	1,00			--
0002		LAFN47128		LEVER L.14	1,00			--
0003		VTDD00124		NUT M 8 BASSO	1,00			--
0004		LAFN47129		BUSHING L.14 A.FLAP	1,00			--
0005		VTVT00448		SCREW TE 8X30 UNI5739	1,00			--
0006		CMCV87172		CABLE ALZA FLAP 2125404	1,00			--
0007		CMCV75717		CLIP UNI 1676 M6	3,00			--
0008		VTDD00012		NUT AUTOBLOK DIN 985 M12 ZB	1,00			--
0009		VTRS00506		WASHER D.12 UNI 6592	4,00			--
0010		LAFN75976		SPRING GUIDE TK 1000	1,00			--
0011		VTDD00482		NUT M 6 ZIN UNI 5588	2,00			--
0012		VTVR47015		INSERT PLS. D.3	10,00			--
0013		MPVR44781		RUBBER FLAP FRONT G1404-G1400	1,00			--
0014		CMCV75717		CLIP UNI 1676 M6	2,00			--
0014		CMCV76639		FORK M 6 UNI 1676	2,00			--
0015		LAFN47130		PIN L.14 A.FLAP	1,00			--
0016		LAFN47131		SHEET METAL PA.FLAP ANTERIORE	1,00			--
0017		VTVT00044		SCREW TC AF.X PLAS UNI9707 4X16	6,00			--
0018		CMCV47132		SHEATH L.14 A.FLAP	1,00			--
0019		CMCV75723		REGISTER D.7	1,00			--
0020		LAFN75975		PIN TK	1,00			--
0021		VTAE14016		CIRCLIP D. 12 UNI 7435	1,00			--
0022		VTRS04026		WASHER D. 6X18X2.38	8,00			--
0023		VTVT00092		SCREW TBCE ISO 7380 6X22 ZB	8,00			--
0024		VTDD01682		NUT M12 ZC UNI 5588	1,00			--
0025		LAFN75973		PIN FLAP TK	1,00			--
0026		CMCV75737		CLAMP D.7 art.857	1,00			--
0027		VTVT75731		SCREW UNI 5923 6 X5	4,00			--
0028		LAFN47030		BUSHING L.14	1,00			--
0029		MPVR45096		RUBBER V 1201 GR.	1,00			--
0030		LAFN47133		PEDALE L.14 FLAP	1,00			--
0031		MPVR04669		FLAP LATERALE	1,00			--
0032		LAFN06601		PLATE FISSA FLAP	1,00			--
0033		MPVR04898		SUPPORT ASPIRATORE DX	1,00			--
0034		MPVR45327		RUBBER L.1400 PST	1,00			--
0035		MPVR04896		SUPPORT ASPIRATORE SX	1,00			--
0036		PMVR01208		LEVER FISSA FILTRO G1404	4,00			--
0037		LAFN47137		FRAME PORTA FILTRO	2,00			--
0038		FTDP48536		FILTER L.14000 CAR. 2V.	2,00			--



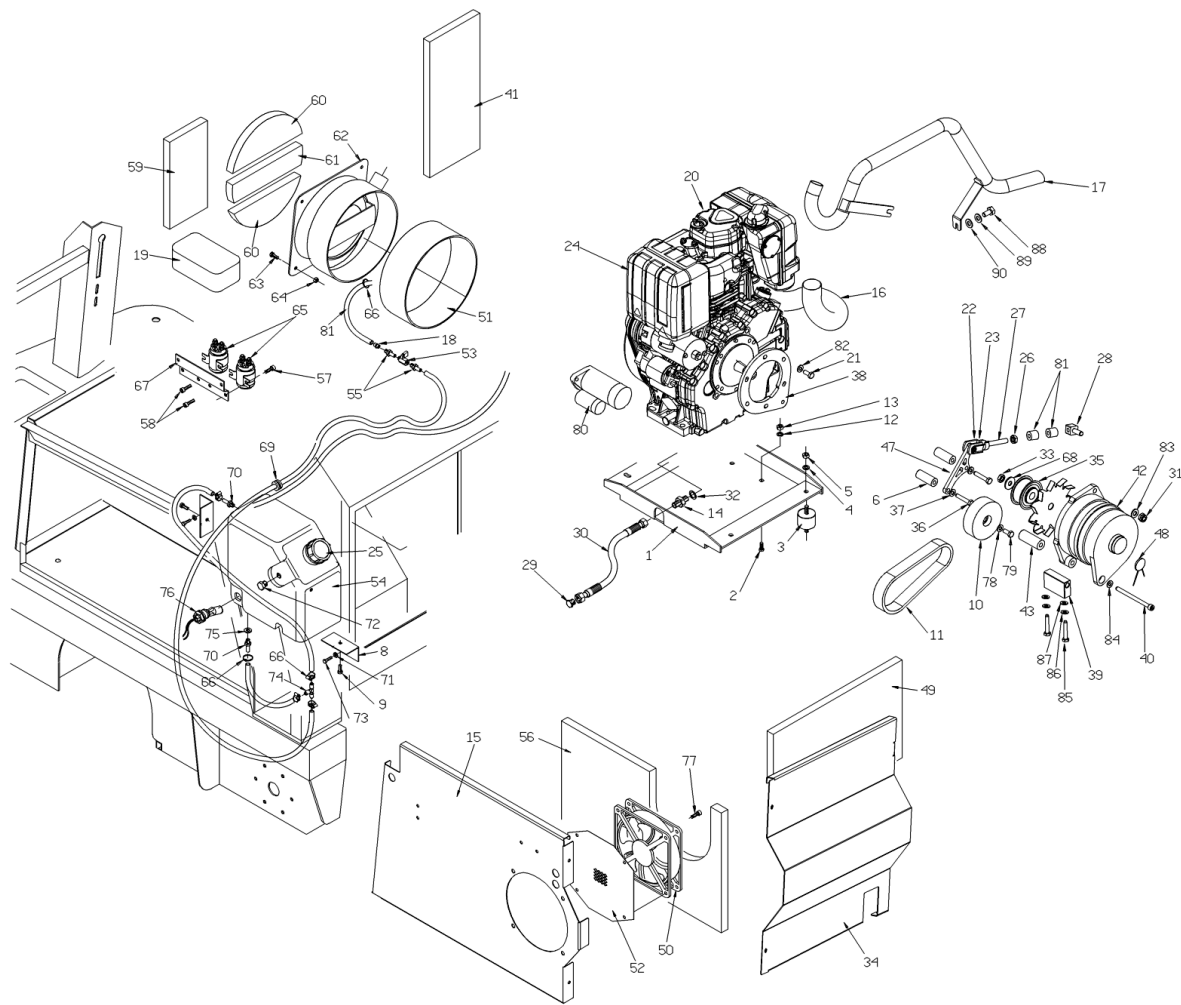
Ref.	K	Part N.	Customer Part N.	Description	Qty	Validity:		Price
						From	To	
0039		MPVR45784		COVER CHIUSURA FILTRO	1,00			--
0040		CHVR26517		DRAWER CLOSURE LOLY 50	4,00			--
0041		LAFN06599		PLATE FISSA FILTRO	2,00			--
0042		VTDD00491		NUT M 6 TEF	8,00			--
0043		VTVT75726		SCREW TBEI M 6X 16 ISO 7380 ZB	8,00			--
0044		MOCC00008		MOTOR SUCTION GENIUS SWEEPER	2,00			--
0045		GUVR46899		GASKET COPERCHIO	1,00			--
0046		LAFN01031		FRAME FISSA FILTRO	2,00			--
0047		MOCC00004		MOTOR D.63 24V G3800 W35	2,00			--
0048		VTVT47138		SCREW TSP-TC 3,9X32 ZC. UNI6955	8,00			--
0049		LAFN47139		MOTOR COVER L.14 FILT.	4,00			--
0050		VTVT75731		SCREW UNI 5923 6 X5	4,00			--
0051		LAFN47140		BUSHING L.14	4,00			--
0052		VTVT76616		SCREW M 4x18 STEAM GUN	12,00			--
0053		MFVR47141		FLANGE MOTOR L.14	4,00			--
0054		MPVR00765		RUBBER FISSAGGIO FILO SCUOTIFIL.	2,00			--
0055		MOCC45112		MOTOR 24V CC ECC.	2,00			--
0056		VTVT47143		SCREW TSPEI M 10X 16 ZC UNI5933	2,00			--
0057		VTVT13515		SCREW TSPEI M6x16 UNI5933 10.9	8,00			--
0058		FSVR00005		CLAMP TIPO "ECO"FORO MM8 D.1 W0	1,00			--
0059		VTDD00483		NUT M 8 ZIN UNI 5588	4,00			--
0060		VTVT75724		SCREW TBEI M 8X 22 ISO 7380 ZB	2,00			--
0061		VTDD00124		NUT M 8 BASSO	2,00			--
0062		GUGO00305		GASKET ASPIRATORE	2,00			--
0063		ETET01404		LABEL PLANCIA	1,00			--
0064		VTRS00504		WASHER D. 8 TE ZC. UNI 6592	2,00			--



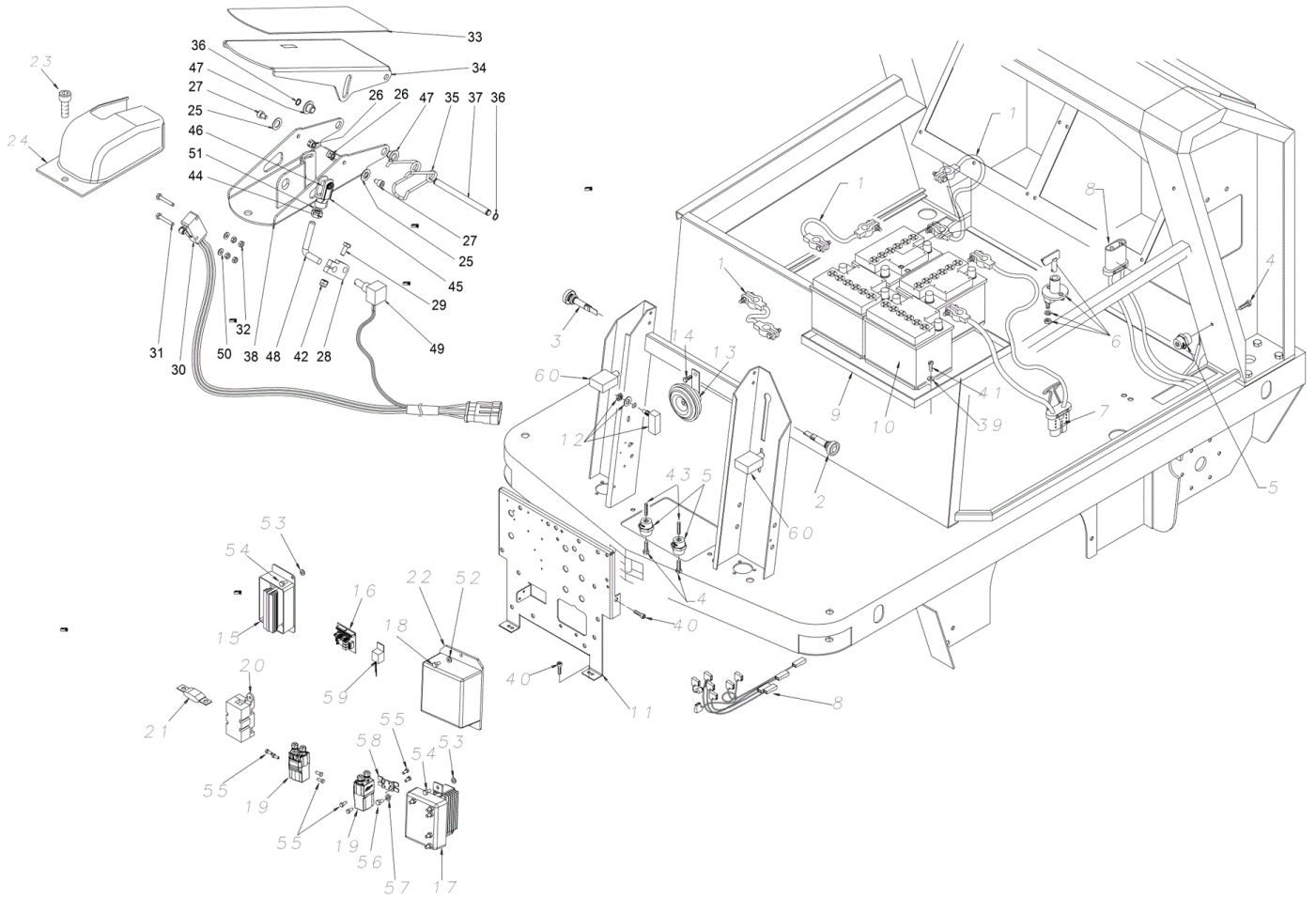
Ref.	K	Part N.	Customer Part N.	Description	Qty	Validity:		Price
						From	To	
0001		LAFN06524		SUPPORT DIESEL	1,00			--
0002		VTVT00067		SCREW TSCE UNI5933 10X40 A.10.9	4,00			--
0003		ABGO00009		VIBRATION DAMP.MM 40X30 8MAX25	4,00			--
0004		VTRS00504		WASHER D. 8 TE ZC. UNI 6592	4,00			--
0005		VTDD00124		NUT M 8 BASSO	4,00			--
0006		LAFN06528		SPACER ALTERNATORE	2,00			--
0008		LAFN47171		BRACKET L.14 TANK.	2,00			--
0009		VTVT17639		SCREW TCEI M 5X10 UNI 5931	2,00			--
0010		MTPL00021		PULLEY MOT.DIESEL Z60 RPP5 25	1,00			--
0011		MTCG00125		BELT 450RPP5M 25	1,00			--
0012		VTRS00505		WASHER D.10 TE UNI 6592	4,00			--
0013		VTDD00042		NUT AUT.M10 UNI7474	4,00			--
0014		RCVR00036		CONNECTOR NIPPLES 1/4"	1,00			--
0015		LAFN06976		SPACER VANO MOTORE	1,00			--
0016		TBBP00029		TUBE GOMMA X CONV.ARIA DIESEL	1,00			--
0017		LAFN06529		SPACER DIESEL	1,00			--
0018		RCVR00019		SLEEVE 1/8"	1,00			--
0019		MPVR47166		PROTECTION L.14 TLR.	1,00			--
0020		MRSC00008		SILENCER	1,00			--
0021		VTVT00448		SCREW TE 8X30 UNI5739	4,00			--
0022		CMCV00001		FORK UNI 1676 M8X16	1,00			--
0023		CMCV75718		CLIP UNI 1676 M8	1,00			--
0024		MEQE00063		MOTOR DIESEL LOMBARDINI K3A5232	1,00			--
0025		MPVR47165		TANK CAP C/VALV.	1,00			--
0026		VTDD00483		NUT M 8 ZIN UNI 5588	2,00			--
0027		LAFN07379		ROD FILETT.TENDIC.ALTERN.DIES	1,00			--
0028		LAFN00022		SCREW X TIRANTE ALTERNAT.DIESEL	1,00			--
0029		RCDS00002		CAP 1/4"	1,00			--
0030		TBBP47172		L.P. HOSE L=300 1/4F -1/4F 0°	1,00			--
0031		VTDD00493		NUT M10 TEF	1,00			--
0032		GUVR00018		GASKET X NIPLESS MOTORE DIESEL	1,00			--
0033		LAFN00271		NUT FISSA PULEGGIA ALTERNA.	1,00			--
0034		LAFN06977		SHEET METAL PA.PARATIA VANO MOTORE	1,00			--
0035		MTPL45322		PULLEY HTD 40-5M 25 6F TK14	1,00			--
0036		VTVT01321		SCREW TE 8X90 UNI5739	2,00			--
0037		VTRS00504		WASHER D. 8 TE ZC. UNI 6592	2,00			--
0038		LAFN06526		BRACKET ALTERNATORE	1,00			--
0039		LAFN06527		BLOCK ALTERNATORE	1,00			--
0040		VTVT01126		SCREW TE M 10X190 UNI 5737 ZC	1,00			--



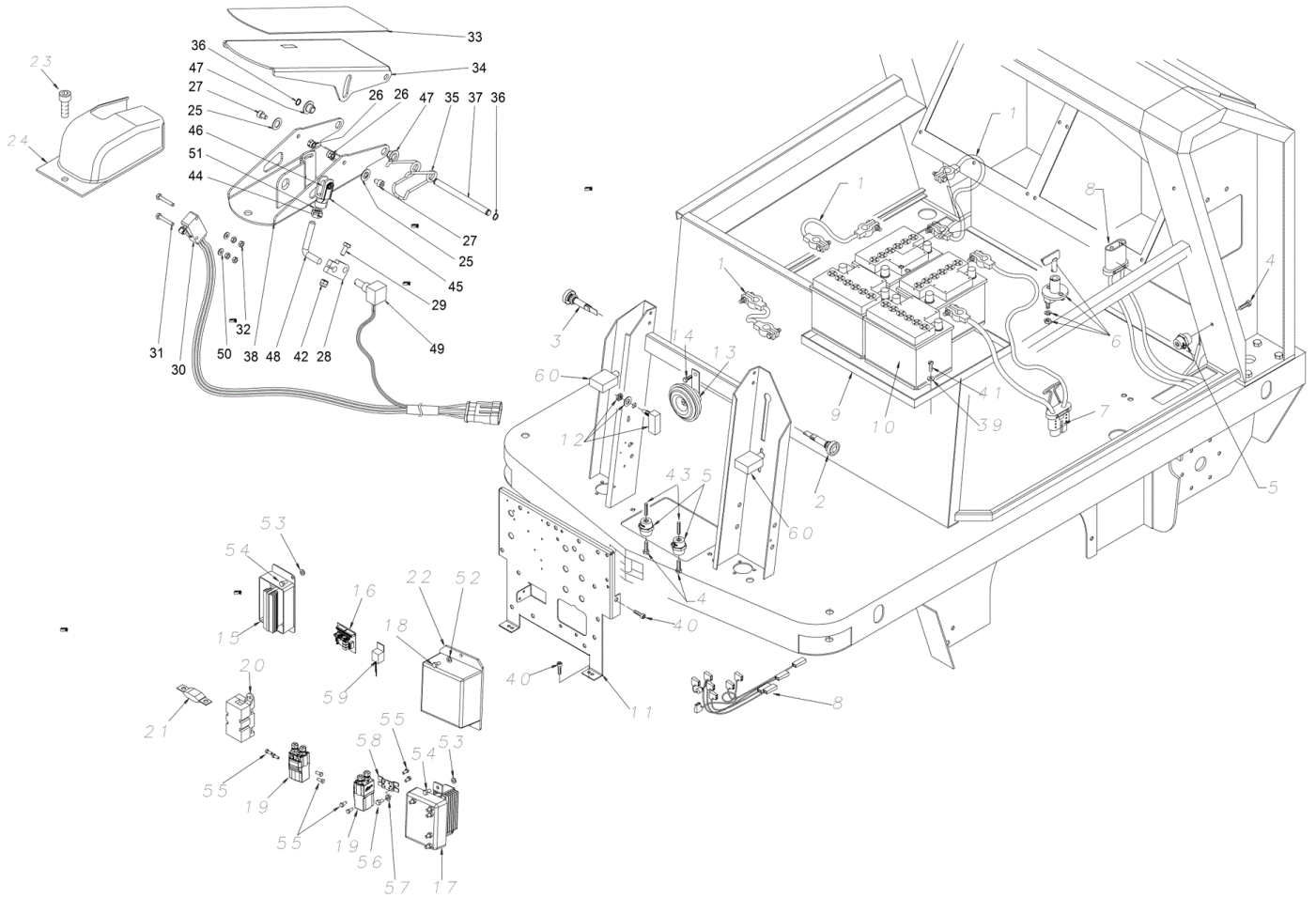
Ref.	K	Part N.	Customer Part N.	Description	Qty	Validity:		Price
						From	To	
0041		ITTE00006		PANEL FONOASS.FRONT.DX DIESEL	1,00			--
0042		ARGN00004		ALTERNATOR 28V-80A	1,00			--
0043		LAFN07374		SPACER D.E. 24	1,00			--
0047		LAFN06525		BRACKET ALTERNATORE	1,00			--
0048		METK47170		PROBE F11-140° NC	1,00			--
0049		ITSO00044		PANEL ISOLATORE PORTASEDILE	1,00			--
0050		MOCC00283		IMPELLER VANO MOTORE	1,00			--
0051		GUGO00428		GASKET CONV.ARIA X MOT.DIESEL	1,00			--
0052		LAFN06301		BRACKET PROTEZIONE	1,00			--
0053		RCGR00008		VALVE A SFERA MF 1/8"	1,00			--
0054		MPVR00280		TANK CARBURANTE TK1400 DIESEL	1,00			--
0055		RCVR00004		CONNECTOR PORTAGOMMA 1/8" D.7	2,00			--
0056		ITSO00045		PANEL ISOLATORE	1,00			--
0057		VTVT75725		SCREW TBEI M 6X 10 ISO 7380 ZB	4,00			--
0058		VTVT62920		SCREW TE F/ROND. M 6X 16 ZB	2,00			--
0059		ITSO00001		PANEL FONOASS.FRONT.LATO SX 1400	1,00			--
0060		ITSO00007		PANEL FONOASS.MEZZALUNA DIESEL	2,00			--
0061		ITSO00008		PANEL FONOASS.RETTANG.DIESEL	1,00			--
0062		MPVR00257		CONVEYOR ARIA MOTORE DIESEL TK1400	1,00			--
0063		VTVT75726		SCREW TBEI M 6X 16 ISO 7380 ZB	4,00			--
0064		VTDD00491		NUT M 6 TEF	4,00			--
0065		METT45116	#8479.90.9498	CONTACTOR 24V T106 P	2,00			--
0066		FSVR19692		CLAMP D. 11-16 VT	6,00			--
0067		LAFN47167		BRACKET L.14	1,00			--
0068		LAFN00025		WASHER PULEGGIA ALTERNAT.TK1400	1,00			--
0069		MEVR00094		FAIR-LEAD EGP15-20S.60 PAS1	3,00			--
0070		LAFN01091		HOSE FITTING SERBATOIO CARBURANTE 1400	2,00			--
0071		VTRS15958		WASHER D. 5 X15 UNI 6593	2,00			--
0072		RCDS00002		CAP 1/4"	1,00			--
0073		VTVT17639		SCREW TCEI M 5X10 UNI 5931	2,00			--
0074		RCVR00083		CONNECTOR A "T"	1,00			--
0075		GUVR47174		GASKET L.14	2,00			--
0076		MECI85110		SWITCH S1.PML.M16	1,00			--
0077		VTVT62920		SCREW TE F/ROND. M 6X 16 ZB	4,00			--
0078		VTRS00504		WASHER D. 8 TE ZC. UNI 6592	1,00			--
0079		VTVT00014		SCREW TE UNI 5739 8X20 CL.10.9	1,00			--
0080		MOCC00039		MOTOR AVV. X MOT. LOMBARDINI	1,00			--
0081		LAFN04042		SPACER D8.5-15	4,00	06/2008		--
0081		LAFN04042		SPACER D8.5-15	2,00		06/2008	--



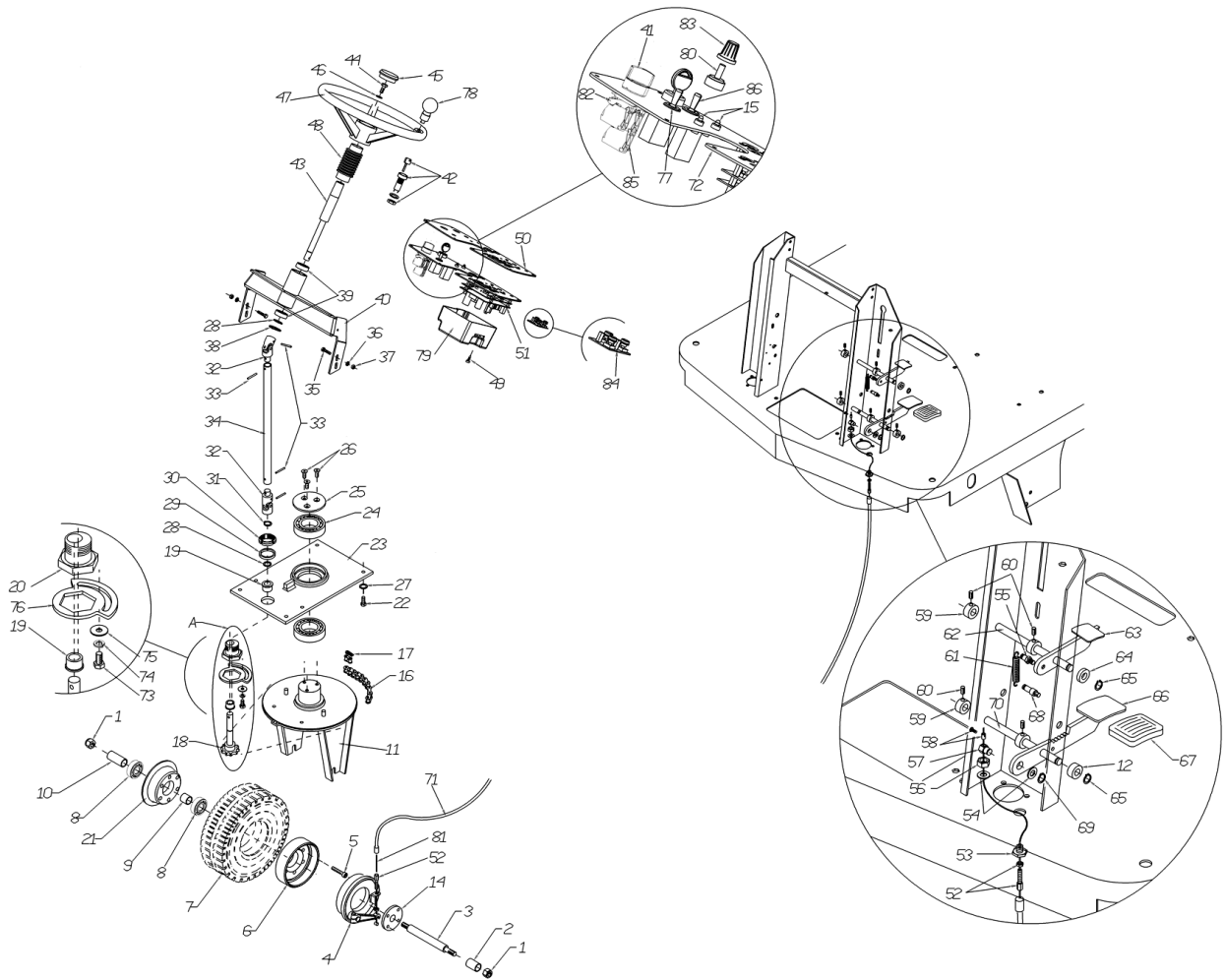
Ref. K	Part N.	Customer Part N.	Description	Qty	Validity:		Price
					From	To	
0082	VTRS00504		WASHER D. 8 TE ZC. UNI 6592	1,00			--
0083	VTRS00505		WASHER D.10 TE UNI 6592	1,00			--
0084	VTRS00505		WASHER D.10 TE UNI 6592	1,00			--
0085	VTVT00448		SCREW TE 8X30 UNI5739	2,00			--
0086	VTRS01080		WASHER D. 8 GRW	2,00			--
0087	VTRS00504		WASHER D. 8 TE ZC. UNI 6592	2,00			--
0088	VTVT01118		SCREW TCEI M 8X16 ZC. UNI 5931	1,00			--
0089	VTRS01080		WASHER D. 8 GRW	1,00			--
0090	VTRS00512		WASHER D. 8 X24 ZC.	1,00			--



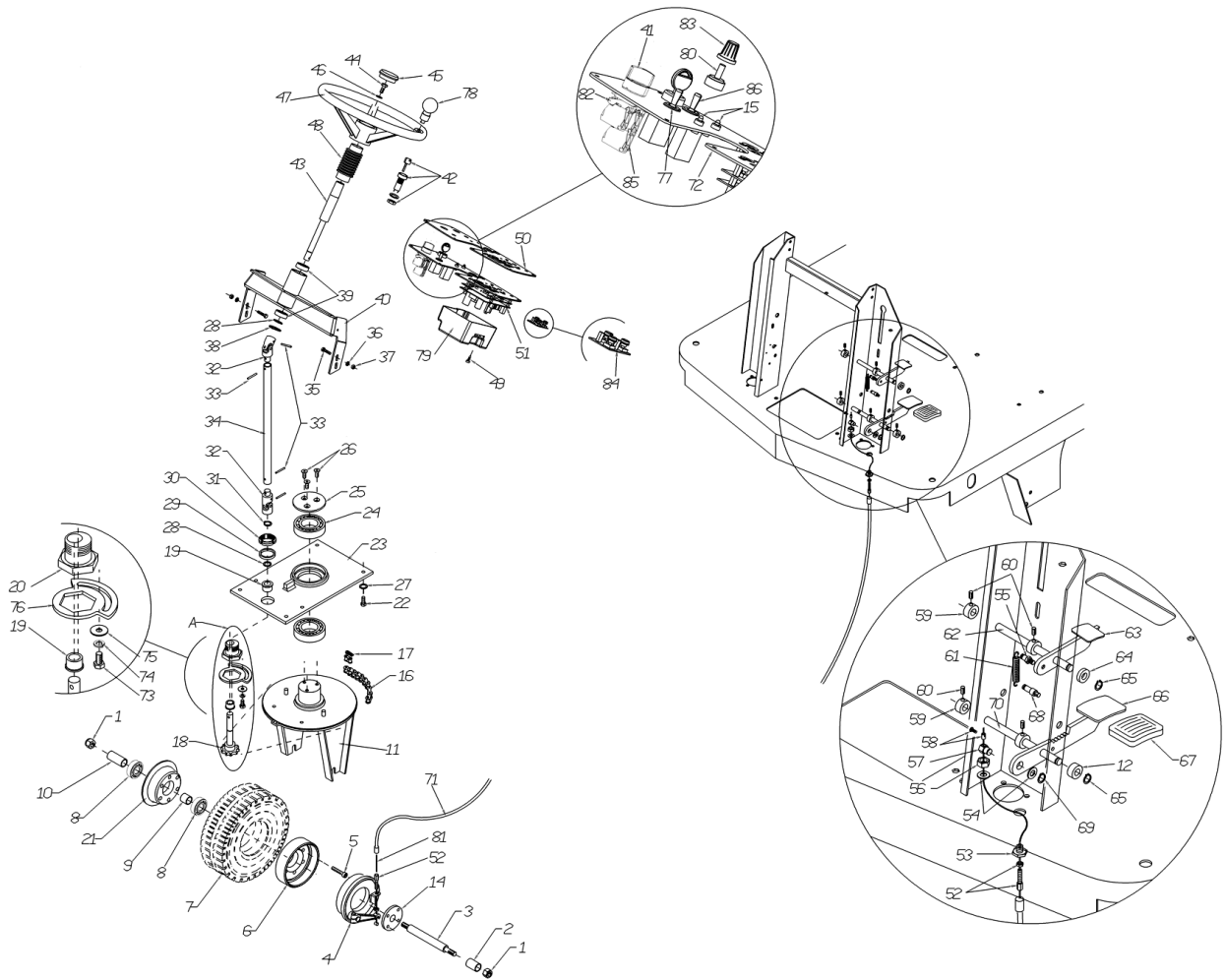
Ref.	K	Part N.	Customer Part N.	Description	Qty	Validity:		Price
						From	To	
0001		MEVR34820		WIRING B 450 BT	3,00			--
0002		MECI00026		BUTTON PIATTO ROTONDO D.22 ROSSO	1,00			--
0003		MECI00028		BUTTON DI EMERGENZA TK1400 24V	1,00			--
0004		VTVT75719		SCREW TE F/ROND. M 6 X 10	2,00			--
0005		MEVR47082		INSULATOR M6 35-CH32	3,00			--
0006		AZMC75803		DIASASS.SPANNERSW 1000	1,00			--
0007		MECB44780		WIRING BATTERIA	1,00			--
0008		MECB00948		WIRING 1404 E	1,00			--
0008		MECB00950		WIRING 1404 E	1,00			--
0009		LAFN46836		BATTERY SUPPORTL.14000 TK	1,00			--
0011		LAFN06784		PLATE SUPPORTO ELETTRONICA	1,00			--
0012		MECI75801		MICROSWITCH TK	2,00			--
0013		MEVR47083		KLAXON L.14 24V	1,00			--
0014		VTVT85116		SCREW TE FR 6,3X19 ZIN	1,00			--
0015		MECE00420		BOARD POTENZA CASSETTO COMPL.	1,00			--
0016		MECE45124		PCB RELE' L.1400	1,00			--
0017		MECE00552		BOARD 1404	1,00			--
0018		VTVT14062		SCREW TE 5X16 UNI5739	2,00			--
0019		METT00085		CONTACTOR 100A	2,00			--
0020		MEVR00146		FUSE-HOLDER MEGA	1,00			--
0021		MEVR01925		FUSE 150A	1,00			--
0022		MECE00555		BOARD CURTIS 1227-2102	1,00			--
0023		VTVT62920		SCREW TE F/ROND. M 6X 16 ZB	1,00			--
0024		MPVR00302		CRANKCASE PEDALE AVANZAMENTO	1,00			--
0025		MPVR05528		WASHER -	2,00			--
0026		VTDD04369		NUT M 4 TEF UNI 7473	2,00			--
0027		VTVT00089		SCREW TCCE UNI 5931 4X10 ZB	2,00			--
0028		LAFN01149		CONNECTING ROD PEDALE AVANZAMENTO G1050	1,00			--
0029		VTVT00727		SCREW TE M. 4-20	1,00			--
0030		MECB01228		WIRING -	1,00			--
0031		VTVT01350		SCREW M3-20 INOX	2,00			--
0032		VTDD21115		NUT M 3 INOX	2,00			--
0033		MPVR00866		PLANE ANTISDRUCCIOLO G1050	1,00			--
0034		LAFN06474		SHEET METAL PA.PEDALE	1,00			--
0035		MLML00034		SPRING PEDALE AVANZAMENTO G1050	1,00			--
0036		VTAE48552		CIRCLIP D. 6 UNI 7435	2,00			--
0037		LAFN00524		PIN PEDALE TK 1050	1,00			--
0038		LAFN07532		BUSHING -	1,00			--
0039		VTRS00503		WASHER D. 6 TE UNI 6798	4,00			--



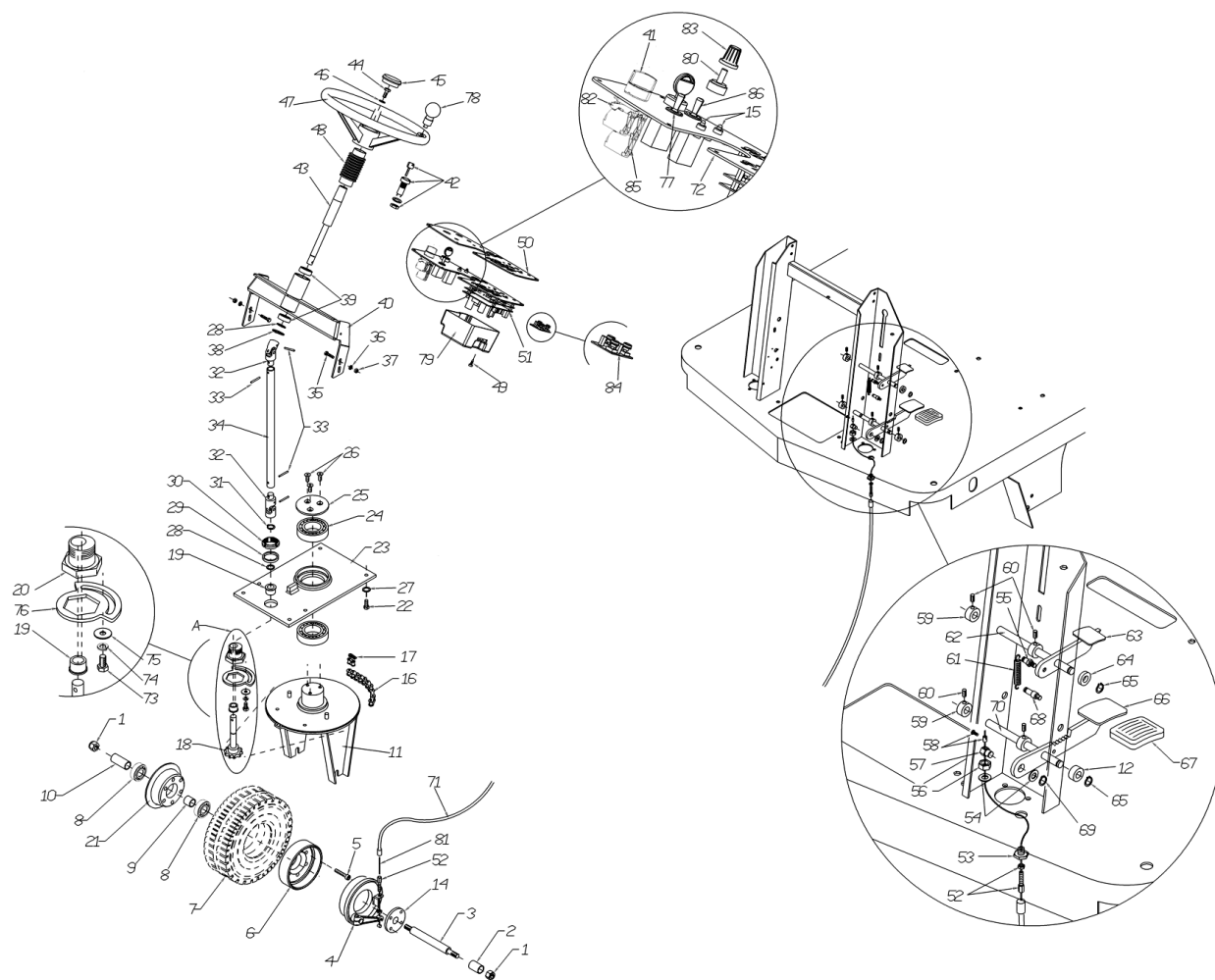
Ref.	K	Part N.	Customer Part N.	Description	Qty	Validity:		Price
						From	To	
0040		VTVT62920		SCREW TE F/ROND. M 6X 16 ZB	4,00			--
0041		VTVT75726		SCREW TBEI M 6X 16 ISO 7380 ZB	4,00			--
0042		VTDD04369		NUT M 4 TEF UNI 7473	1,00			--
0043		VTVT47088		SCREW EI-ST 6X30 UNI5923 ZC	2,00			--
0044		VTDD00482		NUT M 6 ZIN UNI 5588	1,00			--
0045		CMCV75717		CLIP UNI 1676 M6	1,00			--
0046		CMCV76639		FORK M 6 UNI 1676	1,00			--
0047		CUVR00183		BUSHING -	2,00			--
0048		LAFN00909		BRACKET BIELLETTA PEDALE	1,00			--
0049		MECB01227		WIRING ACCELERATOR	1,00			--
0050		VTRS00117		WASHER 3.2X7 UNI6592	4,00			--
0051		VTRS01079		WASHER D. 6 GROWER	1,00			--
0052		VTRS00502		WASHER D. 5 0.466 UNI 6592	3,00			--
0053		VTRS00365		THICKNESS 18X25X1	4,00			--
0054		VTVT01127		SCREW TE M6x20	4,00			--
0055		VTVT62916		SCREW TE M5X12 ZN UNI 5739-8.8	8,00			--
0056		VTVT21295		SCREW TE M5X20 ZINC. UNI 5739	2,00			--
0057		VTRS08013		WASHER D. 5 GRW	2,00			--
0058		LAFN07345		BRACKET TL10	1,00			--
0059		MECI00005		RELAY 24V 10/20A	1,00			--
0060		METT00044		CARRYNG BAG	2,00	11/2012		--



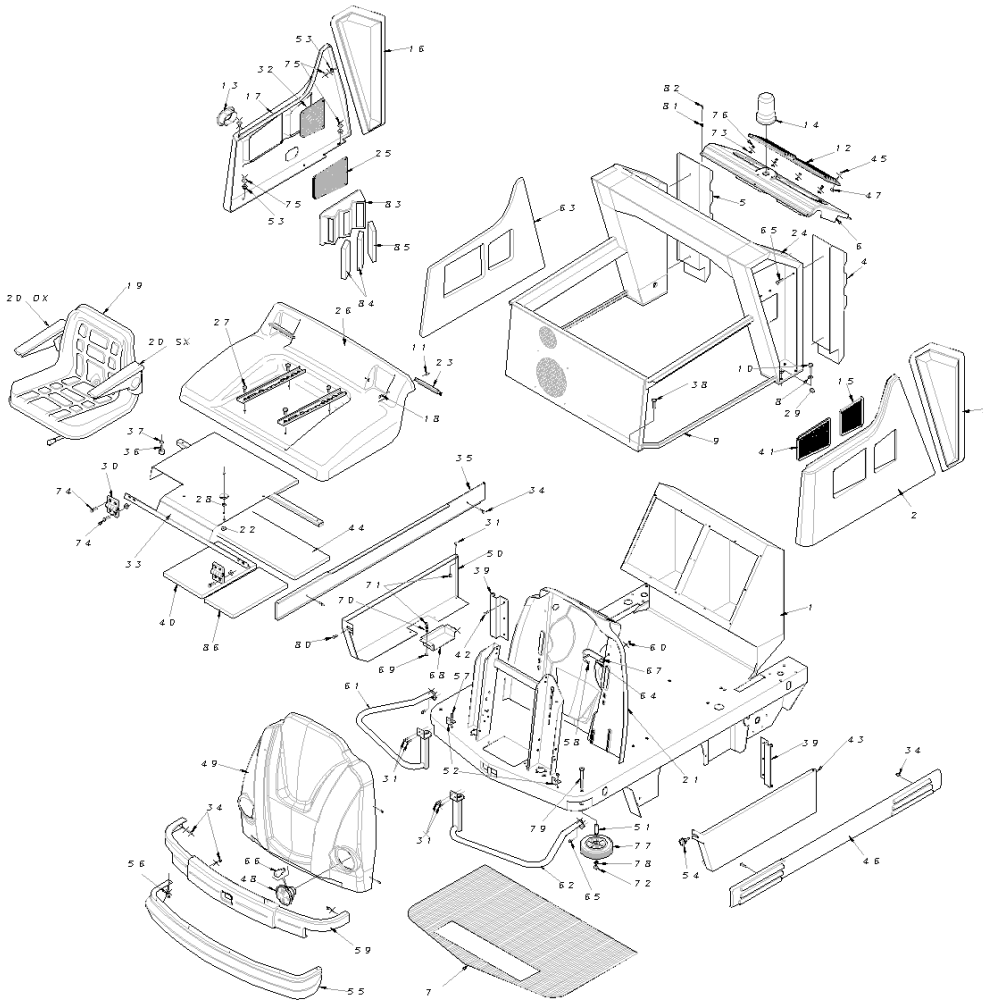
Ref.	K	Part N.	Customer Part N.	Description	Qty	Validity:		Price
						From	To	
0001		VTDD00012		NUT AUTOBLOK DIN 985 M12 ZB	2,00			--
0002		LAFN47017		SPACER D. 20-24 L=55	1,00			--
0003		LAFN45089		WHEEL PIN TK1400 ANT.	1,00			--
0004		RTRT45090		BLOCK BRAKE D.125 TK	1,00			--
0005		VTVT00066		SCREW TCCE UNI 5931 8X25 ZB	6,00			--
0006		LAFN45091		HUB TK1400 FRN.	1,00			--
0007		RTRT45132		WHEEL D.306 4.00-4 S.EL.	1,00			--
0008		CUVR08998		BALL BEARING 6204 2RS1	2,00			--
0009		LAFN45336		SPACER D. 20-24 L=22	1,00			--
000A		KTRI46514		PIN TK 1000 + BUSCH.	1,00			--
0010		LAFN47018		SPACER D. 20-24 L=35	1,00			--
0011		LAFN45092		WHEEL SUPPORT TK1400 ANT.	1,00			--
0012		LAFN47019		BUSHING L.14	1,00			--
0014		LAFN45872		FLANGE L.14	1,00			--
0015		MEVR00141		OIL WARN-LIGHT LED OLIO,BENZINA TK1400	1,00			--
0016		MTCR45093		CHAIN 3/8 TK1400 STE.	1,00			--
0017		MTCR47037		WARP KNITTING 3/8	1,00			--
0018		LAFN75974		PIN TK 1000	1,00			--
0019		LAFN75841		BUSHING TK 1000	2,00			--
0020		LAFN75842		BUSHING TK 1000	1,00			--
0021		LAFN45083		HUB TK1400 AN/PST.	1,00			--
0022		VTVT00447		SCREW TE 8X25 UNI5739	6,00			--
0023		LAFN45094		FLANGE TK1400	1,00			--
0024		CUVR75816		BEARING 51112	2,00			--
0025		LAFN47004		FLANGE TK1400	1,00			--
0026		VTVT00014		SCREW TE UNI 5739 8X20 CL.10.9	3,00			--
0027		VTRS01080		WASHER D. 8 GRW	6,00			--
0028		LAFN47020		THICKNESS D.15X22X1.0	2,00			--
0029		LAFN75913		SPACER TK	1,00			--
0030		VTVR75747		RING NUT AUTOBLOK M 35 X 1,5 GUK	1,00			--
0031		VTAE17003		CIRCLIP D. 15 UNI 7435	1,00			--
0032		VTVR47021		ARTICULATION D. 5-15	2,00			--
0033		VTVR46987		ELASTIC PLUG 5X25 UNI 6873	4,00			--
0034		LAFN47022		LOW STEERING L.14	1,00			--
0035		VTVT62920		SCREW TE F/ROND. M 6X 16 ZB	4,00			--
0036		VTRS04026		WASHER D. 6X18X2.38	4,00			--
0037		VTDD00491		NUT M 6 TEF	4,00			--
0038		VTAE17003		CIRCLIP D. 15 UNI 7435	1,00			--
0039		CUVR00005		BEARING 6202 2RS	2,00			--



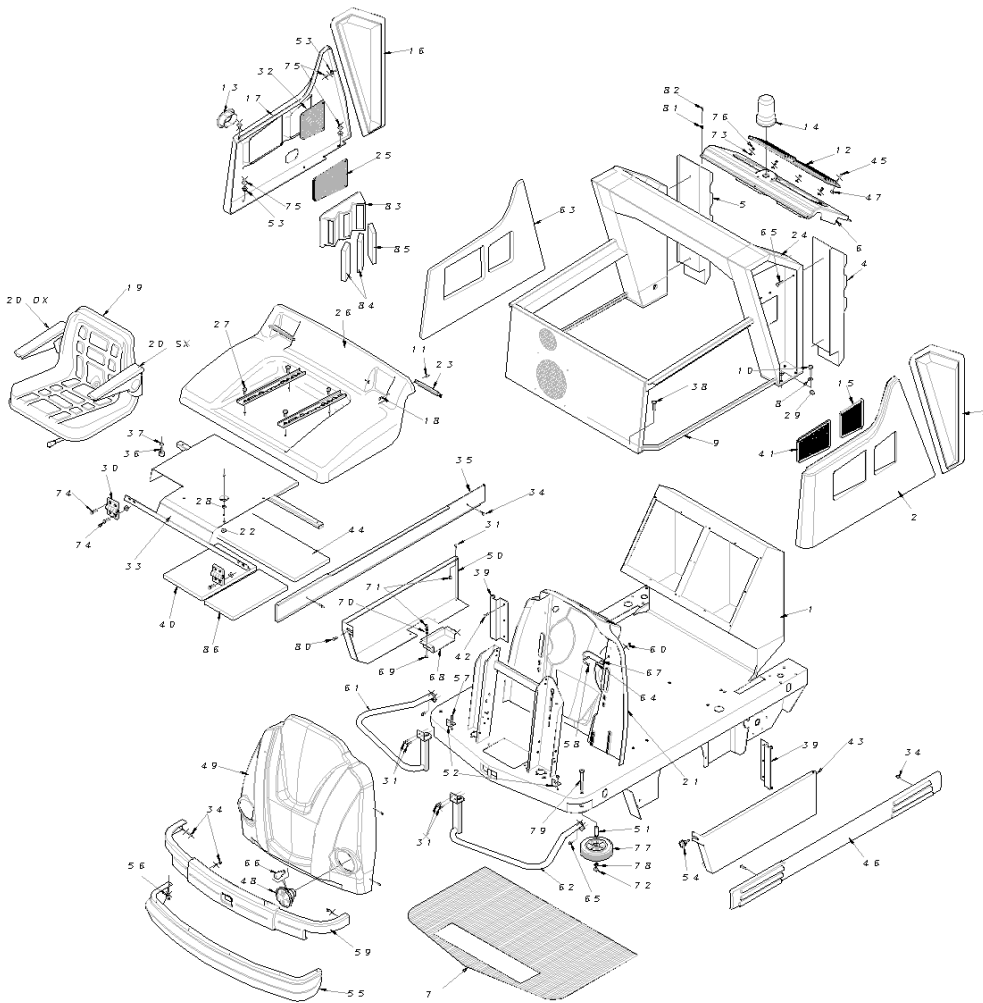
Ref.	K	Part N.	Customer Part N.	Description	Qty	Validity:		Price
						From	To	
0040		LAFN06791		ASSEMBLED SUPPORTO PIANTONE	1,00			--
0041		MEVR02011		SELECTOR -	1,00			--
0042		MECI75805		SWITCH TK	1,00			--
0043		LAFN47024		UP STEERING L.14	1,00			--
0044		VTVT47025		SCREW TBEI M 10X 16 ISO 7380 ZB	1,00			--
0045		MPVR47026		BLACK CAP L.14	1,00			--
0046		VTRS44254		WASHER D.10 X40X2.5 UNI6593	1,00			--
0047		MPVR47027		STEERING WHEEL D. 320 L.14	1,00			--
0048		MPVR47066		PROTECTOR L.14	1,00			--
0049		VTVT00288		SCREW TCTC 4X10	2,00			--
0050		ETET01722		LABEL PLANCIA	1,00			--
0051		MECE00557		BOARD DISPLAY LOGIC 1404 CURTIS	1,00			--
0052		CMCV75723		REGISTER D.7	1,00			--
0053		LAFN75975		PIN TK	1,00			--
0054		VTRS00506		WASHER D.12 UNI 6592	2,00			--
0055		LAFN47029		PIN CH.10 H.16	1,00			--
0056		VTDD01682		NUT M12 ZC UNI 5588	1,00			--
0057		LAFN75973		PIN FLAP TK	11,00			--
0058		VTVR00031		CLAMP FRENO TK1400	1,00			--
0059		LAFN47030		BUSHING L.14	4,00			--
0060		VTVT75731		SCREW UNI 5923 6 X5	3,00			--
0061		MLML75960		SPRING D. 8 X1 X32	1,00			--
0062		LAFN47031		PIN L.14	1,00			--
0063		LAFN47032		PEDALE L.14	1,00			--
0064		LAFN47033		BUSHING L.14	1,00			--
0065		VTAE87276		SEGER EXT. D10 DIN471	2,00			--
0066		LAFN47034		BRAKE PEDAL L.14	1,00			--
0067		MPVR45096		RUBBER V 1201 GR.	1,00			--
0068		LAFN47035		PIN CH.10 H.26	1,00			--
0069		VTAE14016		CIRCLIP D. 12 UNI 7435	1,00			--
0070		LAFN47036		PIN BRK.+FLAP L.14	1,00			--
0071		CMCV87173		SHEATH CAVO FRENO 21251013	1,00			--
0072		LAFN06792		BOARD COMANDI	1,00			--
0073		VTVT01110		SCREW TE 8X16 UNI5739	5,00			--
0074		VTRS01080		WASHER D. 8 GRW	1,00			--
0075		VTRS87283		WASHER D.8X24X2,5 ZB UNI 6593	1,00			--
0076		LAFN47039		FLANGE L.14	1,00			--
0077		MECI76658		COMMUTAT.SWITCH2 P. TK	1,00			--
0078		MPVR47040		KNOB L.14	1,00			--



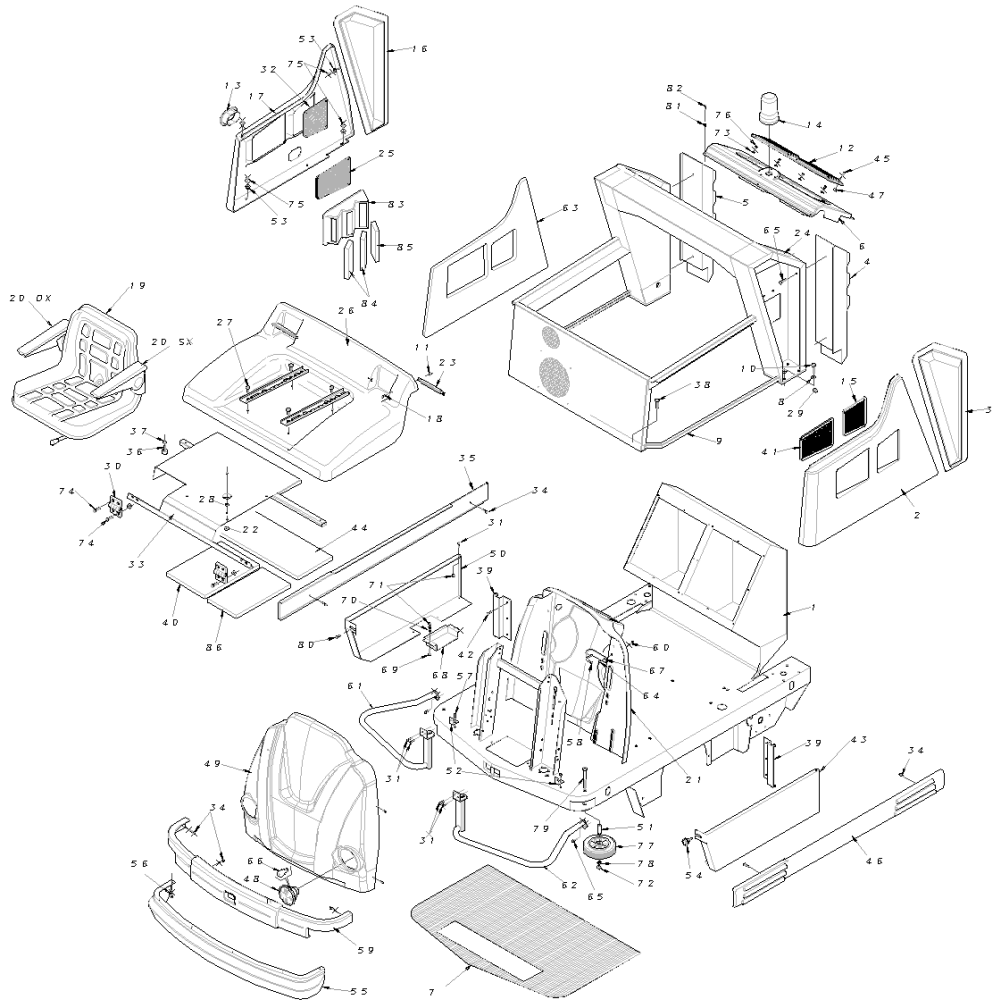
Ref.	K	Part N.	Customer Part N.	Description	Qty	Validity:		Price
						From	To	
0079		MPVR04902		COVER SCHEDA MICRO	1,00			--
0080		KTRI01935		KIT 1050-1202	1,00			--
0081		CMCV85320		CABLE D.2,5 L.760 21251003	1,00			--
0082		MEVR02000		CONTACT -	1,00			--
0083		KTRI01935		KIT 1050-1202	1,00			--
0084		MECE00426		BOARD PULSANTIERA	1,00			--
0085		MEVR02012		CONTACT -	1,00			--
0086		MECI75945		COMMUTAT.SWITCH3 POS. TK	1,00			--



Ref.	K	Part N.	Customer Part N.	Description	Qty	Validity:		Price
						From	To	
0001		LAFN45969		BODY LION 14000	1,00			--
0002		MPVR04992		BODY SIDE SX	1,00			--
0003		MPVR00234		UPRIGHT SPALLA SX	1,00			--
0004		MPVR00229		BUMPER POSTERIORE SX TK1400	1,00			--
0005		MPVR00227		BUMPER POSTERIORE DX TK1400	1,00			--
0006		MPVR04988		COVER SUCTION MOTORS	1,00			--
0007		MPVR05057		PLANE MILLERIGHE CON BIADESIVO	1,00			--
0008		VTRS00505		WASHER D.10 TE UNI 6592	8,00			--
0009		LAFN45976		SUPPORT L.14	1,00			--
0010		VTVT01535		SCREW TCEI M10X 40 UNI 5931 ZB	8,00			--
0011		VTDD00491		NUT M 6 TEF	6,00			--
0012		MPVR04916		BRACKET COPERCHIO ASPIRATORI	1,00			--
0013		MPVR04698		FRAME FORO	1,00			--
0014		MEVR00935		FLASHING LIGHT G1050	1,00			--
0015		LAFN06590		BRACKET FIANCATA	1,00			--
0016		MPVR00235		UPRIGHT SPALLA DX	1,00			--
0017		MPVR04993		BODY SIDE DX	1,00			--
0018		VTVT75726		SCREW TBEI M 6X 16 ISO 7380 ZB	4,00			--
0019		SESD45981		SEAT SC 73 L.14	1,00			--
0020		SESD00001		KIT BRACCIOLO DX	1,00			--
0020		SESD00002		KIT BRACCIOLO SX	1,00			--
0021		MPVR04891		HOOD POSTERIORE G1404	1,00			--
0022		VTDD00124		NUT M 8 BASSO	4,00			--
0023		KTRI01632		HANDLE COFANO PORTASEDILE	2,00			--
0024		ETET00103		LABEL ADESIVA "DIESEL"	1,00			--
0025		LAFN06587		BRACKET FIANCATA	1,00			--
0026		MPVR04991		HOOD SUPERIORE 1400 VERDE	1,00			--
0027		VTVT00447		SCREW TE 8X25 UNI5739	4,00			--
0028		VTRS00512		WASHER D. 8 X24 ZC.	8,00			--
0029		VTDD00042		NUT AUT.M10 UNI7474	8,00			--
0030		CEVR85332		HINGE MEB F D.6 TK	2,00			--
0031		VTVT62920		SCREW TE F/ROND. M 6X 16 ZB	6,00			--
0032		LAFN06588		BRACKET FIANCATA	1,00			--
0033		LAFN01018		FRAME PORTASED.TK1400 DIESEL ZN	1,00			--
0034		VTVT01118		SCREW TCEI M 8X16 ZC. UNI 5931	4,00			--
0035		MPVR00225		BUMPER LATERALE DX TK1400	1,00			--
0036		ABGO00008		VIBRATION DAMP.PM 20X20 M6X20	2,00			--
0037		VTDD00482		NUT M 6 ZIN UNI 5588	2,00			--
0038		VTVT62920		SCREW TE F/ROND. M 6X 16 ZB	4,00			--



Ref.	K	Part N.	Customer Part N.	Description	Qty	Validity:		Price
						From	To	
0039		CEVR45986		HINGE L.14	2,00			--
0040		ITSO00006		PANEL FONOASS.SOTTOSED.DIESEL	1,00			--
0041		LAFN06589		BRACKET FIANCATA	1,00			--
0042		VTVT75719		SCREW TE F/ROND. M 6 X 10	6,00			--
0043		LAFN00724		PLANE LATERALE SX	1,00			--
0044		ITSO00043		PANEL ISOLATORE PORTASEDILE	1,00			--
0045		VTVT72043		SCREW M 4 X16 TC UNI7687	4,00			--
0046		MPVR00226		BUMPER LATERALE SX 1400	1,00			--
0047		VTVR00015		INSERT FILETTATO M4X10 ZIGRINATO	4,00			--
0048		MELF00052		LANTERN -	2,00	06/2011		--
0048		MEVR00135		LANTERN G1400	2,00		06/2011	--
0049		MPVR08031		HOOD ANTERIORE G1404	1,00			--
0050		LAFN00723		PLANE LATERALE DX	1,00			--
0051		LAFN47011		BUSHING L.14	2,00			--
0052		LAFN06793		BRACKET FISSA FRONTALE	2,00			--
0053		VTRS04026		WASHER D. 6X18X2.38	8,00			--
0054		RTRT00022		HANDWHEEL D.30 M6X15	1,00			--
0055		MPVR00240		CRANKCASE SPOILER ANTERIORE	1,00			--
0056		VTVT00100		SCREW AUTOF.TC UNI 6954 3,9X16	6,00			--
0057		VTVT09916		SCREW TBEI M 6X 20 ISO 7380 ZB	2,00			--
0058		VTVT62920		SCREW TE F/ROND. M 6X 16 ZB	2,00			--
0059		MPVR87170		BUMPER GRIGIO CPL 21201056	1,00			--
0060		VTVT75726		SCREW TBEI M 6X 16 ISO 7380 ZB	2,00			--
0061		LAFN01102		BUMPER ANTERIORE DX	1,00			--
0062		LAFN01103		BUMPER ANTERIORE SX	1,00			--
0063		ITTE00005		PANEL FONOASS.FIAN.LAT.DX DIES.	1,00			--
0064		VTDD00491		NUT M 6 TEF	2,00			--
0065		VTVT63129		SCREW TE F/ROND. M 8X16 ZB	6,00			--
0066		MELF00050		LAMP -	2,00	06/2011		--
0066		MELF87169		LAMP 12V 35W	2,00		06/2011	--
0067		LAFN06794		BRACKET FISSA FRONTALE G1404	2,00			--
0068		LAFN46645		PROTECTION L.14 DX	1,00			--
0069		VTVT63029		SCREW TCEI M 6X 35 UNI 5931 ZB	2,00			--
0070		MLML46644		SPRING D. 6	1,00			--
0071		VTDD00491		NUT M 6 TEF	3,00			--
0072		VTDD00042		NUT AUT.M10 UNI7474	2,00			--
0073		VTVR47015		INSERT PLS. D.3	4,00			--
0074		VTVT12255		SCREW TCEI 6X25 UNI5931	4,00			--
0075		VTVT06237		SCREW TCEI 6X20 UNI5931	8,00			--



Ref.	K	Part N.	Customer Part N.	Description	Qty	Validity:		Price
						From	To	
0076		VTVT00044		SCREW TC AF.X PLAS UNI9707 4X16	4,00			--
0077		RTRT31046		WHEEL D.150 E 350	2,00			--
0078		VTRS00505		WASHER D.10 TE UNI 6592	2,00			--
0079		VTVT04857		SCREW TCEI M 10X70 UNI 5931	2,00			--
0080		VTVT62920		SCREW TE F/ROND. M 6X 16 ZB	1,00			--
0081		VTVR00309		INSERT FILETTATO M5	4,00			--
0082		VTVT45339		SCREW TBEI M 5X 16 ISO 7380 ZB	4,00			--
0083		MPVR00743		BAFFLE INT.FIAN.LAT.DX DIESEL	1,00			--
0084		ITSO00003		PANEL FONOASS.DEFL.PICC.DIESEL	2,00			--
0085		ITSO00004		PANEL FONOASS.DEFL.GRANDE DIES.	1,00			--
0086		ITTE00027		INSULATOR	1,00	12/2007		--