

IPC Integrated Professional Cleaning

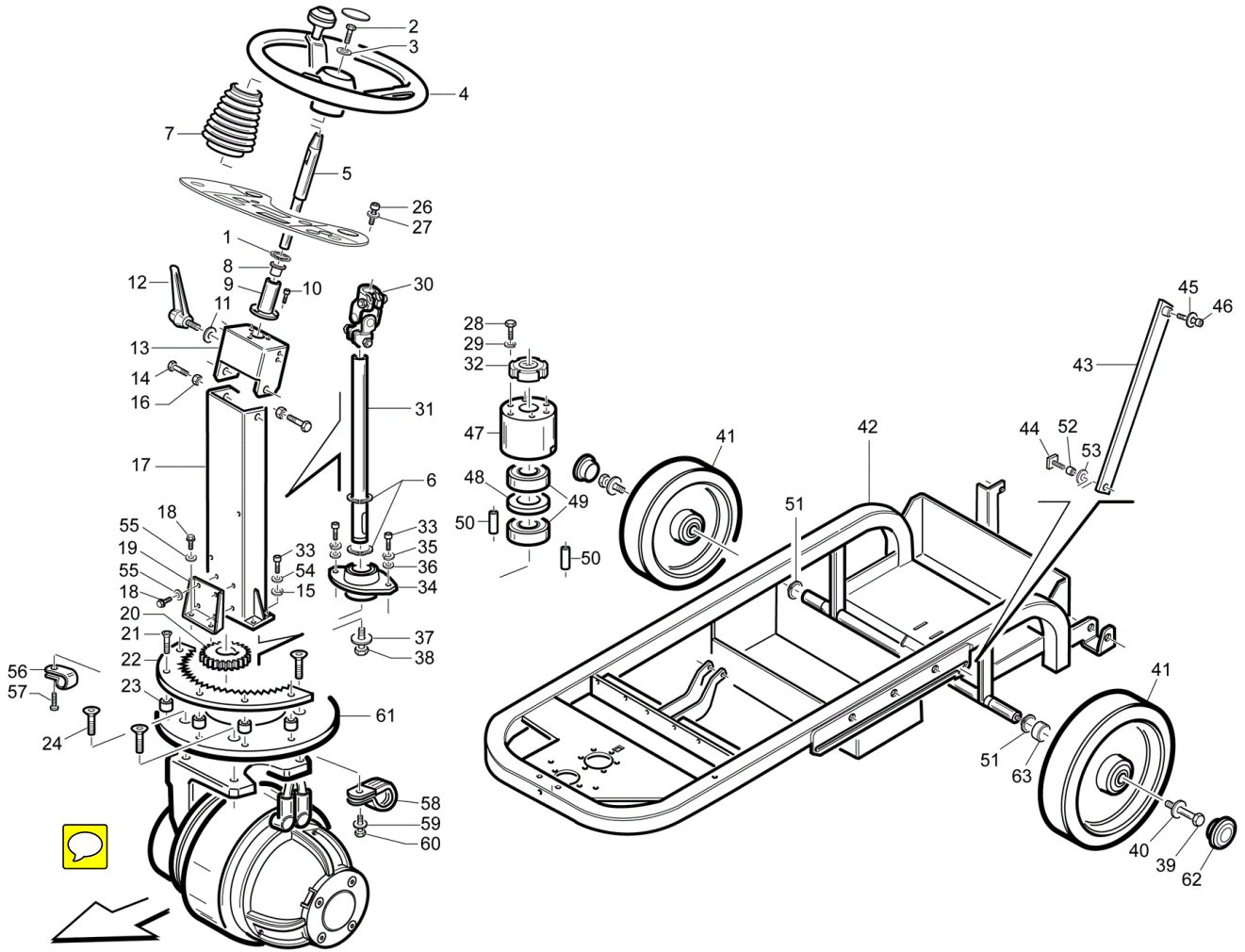
IPC Gansow

Spare Parts List

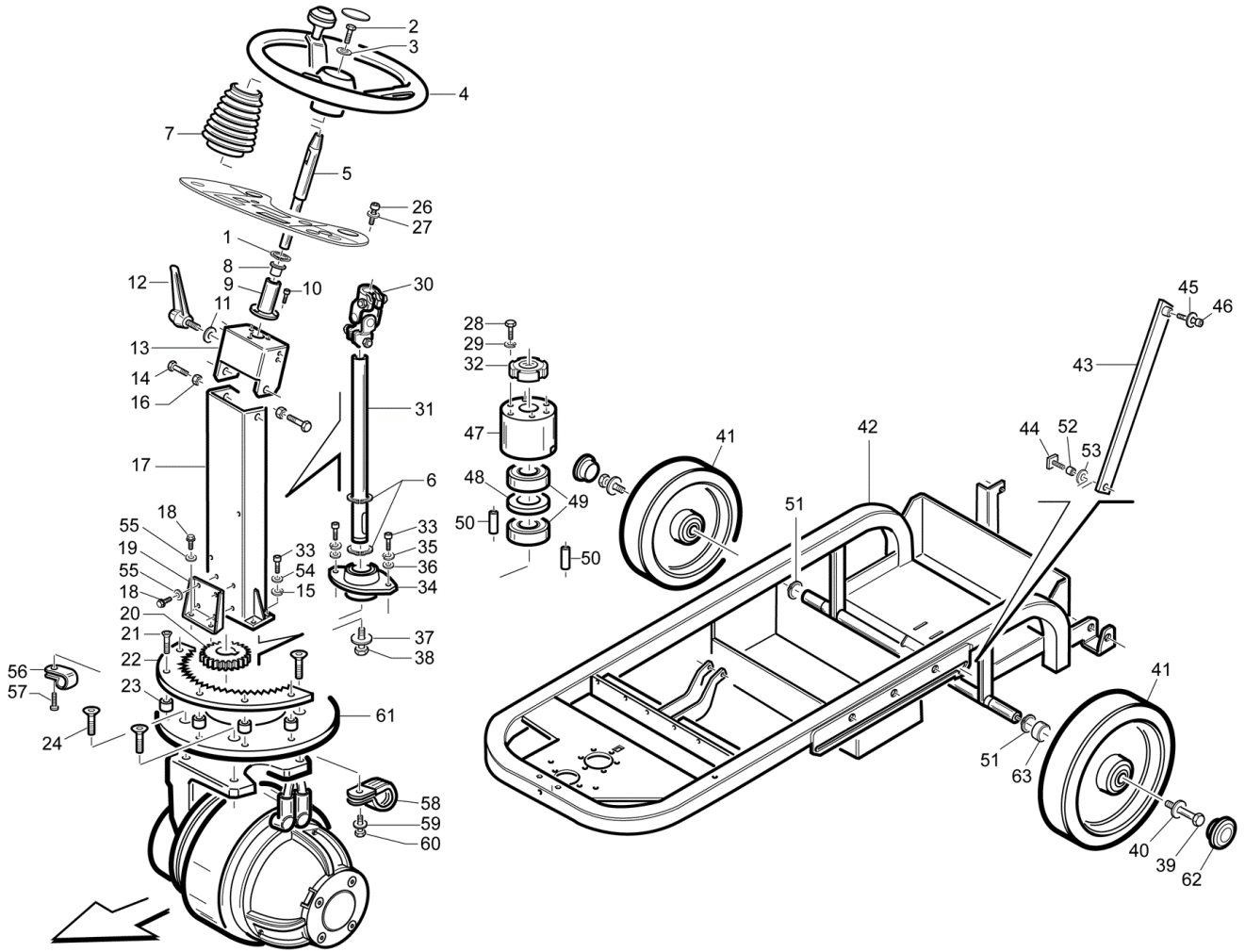
IPC EAGLE

Ref: LPTB01311

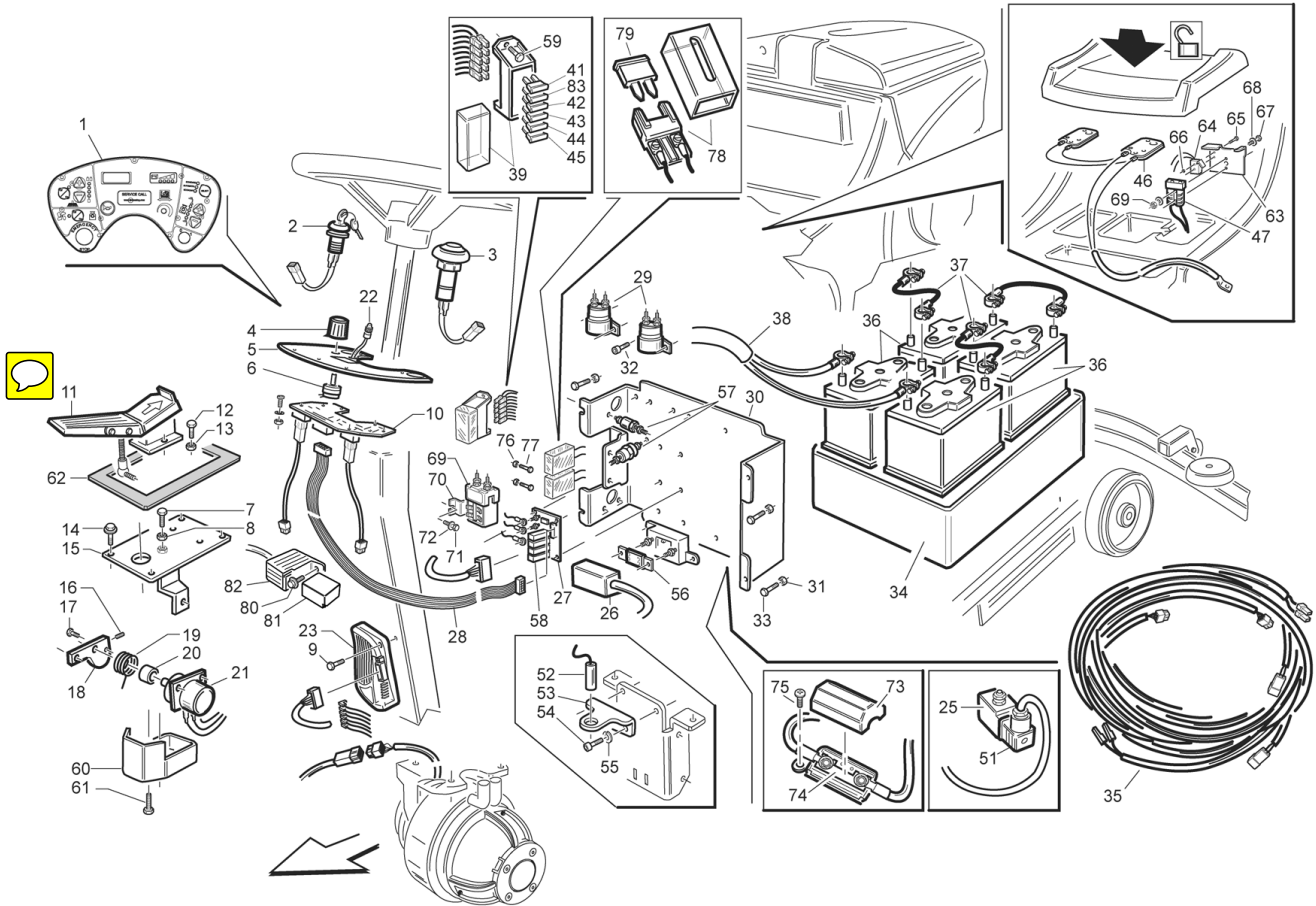
Model: CT110 BT70 GR/VE



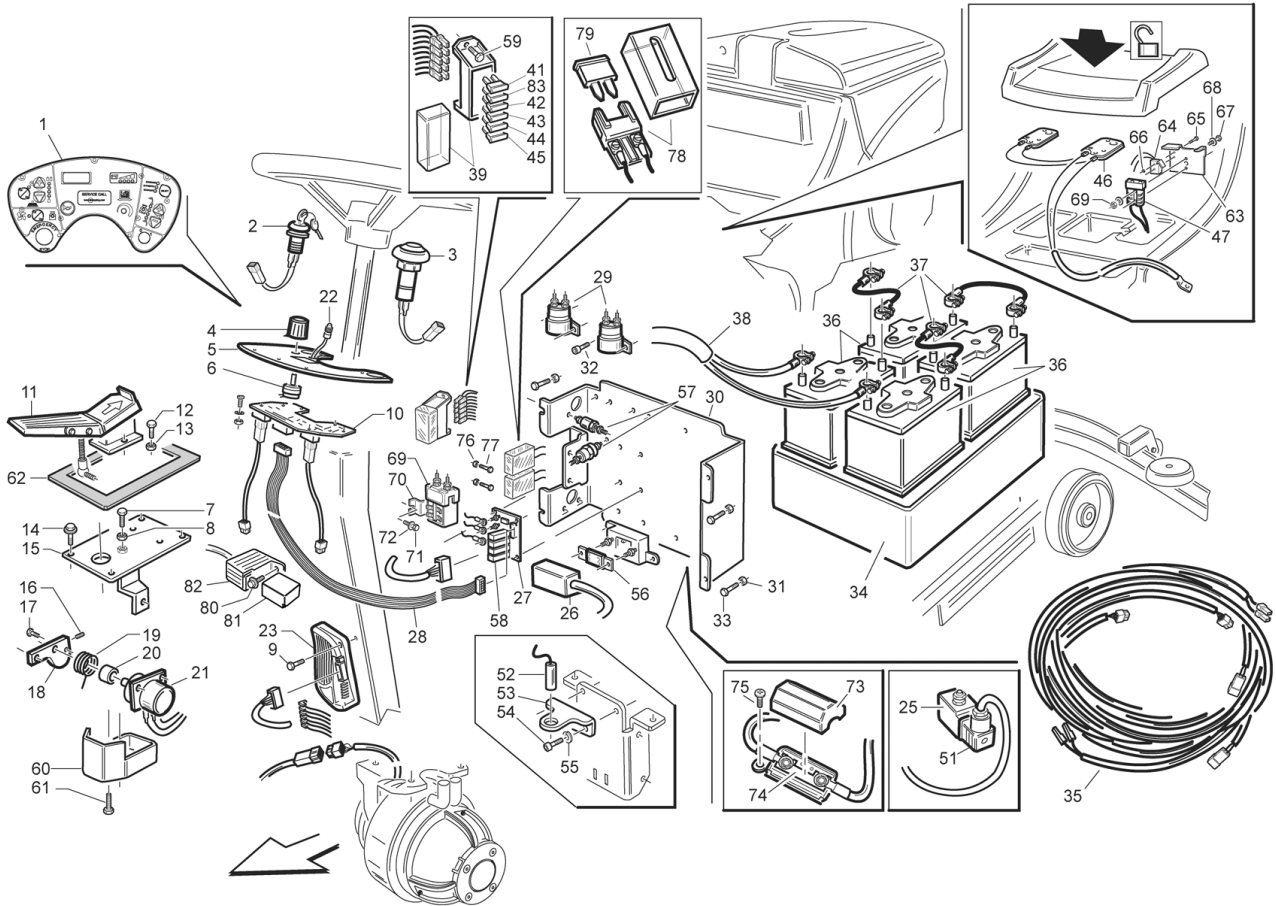
Ref.	K	Part N.	Customer Part N.	Description	Qty	Validity:		Price
						From	To	
0001		VTAE17003		CIRCLIP D. 15 UNI 7435	2,00			--
0002		VTVT00457		SCREW TE M 10X30 ZINC. UNI 5739	1,00			--
0003		VTRS44254		WASHER D.10 X40X2.5 UNI6593	1,00			--
0004		MPVR47027		STEERING WHEEL D. 320 L.14	1,00			--
0005		ALTR00031		SHAFT PER VOLANTE TK 1050 ZINC.	1,00			--
0006		VTAE00032		SEEGER 20	2,00			--
0007		MPVR05237		PROTECTOR -	1,00			--
0008		LAFN75841		BUSHING TK 1000	2,00			--
0009		LAFN00149		BUSHING PORTA PIANTONE TK1050 ZIN	1,00			--
0010		VTVT62920		SCREW TE F/ROND. M 6X 16 ZB	3,00			--
0011		VTRS13946		WASHER D. 8 X24 INX UNI 6593	1,00			--
0012		MPVR05250		HANDLE M8X25	1,00			--
0013		KTRI02058		KIT REGOLAZIONE STERZO CT110	1,00			--
0014		VTVT13936		SCREW TE M 10X 20	2,00			--
0015		VTRS13947		WASHER D. 8 INX UNI 6592	4,00			--
0016		VTDD00493		NUT M10 TEF	2,00			--
0017		LAFN06362		UP STEERING CT110	1,00			--
0018		VTVT13939		SCREW TE 6X20 UNI5739 INX	6,00	03/2010		--
0018		VTVT15143		SCREW TE 6X16 UNI5739	6,00		03/2010	--
0019		LAFN06508		BRACKET PIANTONE	1,00			--
0020		LAFN06377		PINION STERZO	1,00			--
0021		VTVT00062		SCREW TSCE UNI 5933 6X25 ZB	5,00			--
0022		LAFN06373		BRAKE CT110	1,00			--
0023		LAFN06844		SPACER CORONA	5,00			--
0024		VTVT00263		SCREW TSPEI M10x30	4,00			--
0026		VTVT37012		SCREW M 4X 10 TCB-TC INX	5,00			--
0027		VTRS00515		WASHER D. 4 INX	5,00			--
0028		VTVT00410		SCREW TE M8x35 UNI5739 INOX	5,00			--
0029		VTRS15146		WASHER D. 8 INX GRW UNI 1751	5,00			--
0030		VTVR00057		ARTICULATION CARDANICO	1,00			--
0031		LAFN06374		SHAFT STERZO	1,00			--
0032		VTVR75747		RING NUT AUTOBLOK M 35 X 1,5 GUK	1,00			--
0033		VTVT13938		SCREW TE 8X20 UNI5739 INX	4,00			--
0034		CUVR00105		SUPPORT	1,00			--
0035		VTRS15146		WASHER D. 8 INX GRW UNI 1751	2,00			--
0036		VTRS13947		WASHER D. 8 INX UNI 6592	2,00			--
0037		VTRS16937		WASHER 6x24 INOX UNI 6593	1,00			--
0038		VTVT15143		SCREW TE 6X16 UNI5739	1,00			--
0039		VTVT03640		SCREW TE 10X25 UNI5740	2,00	05/2011		--



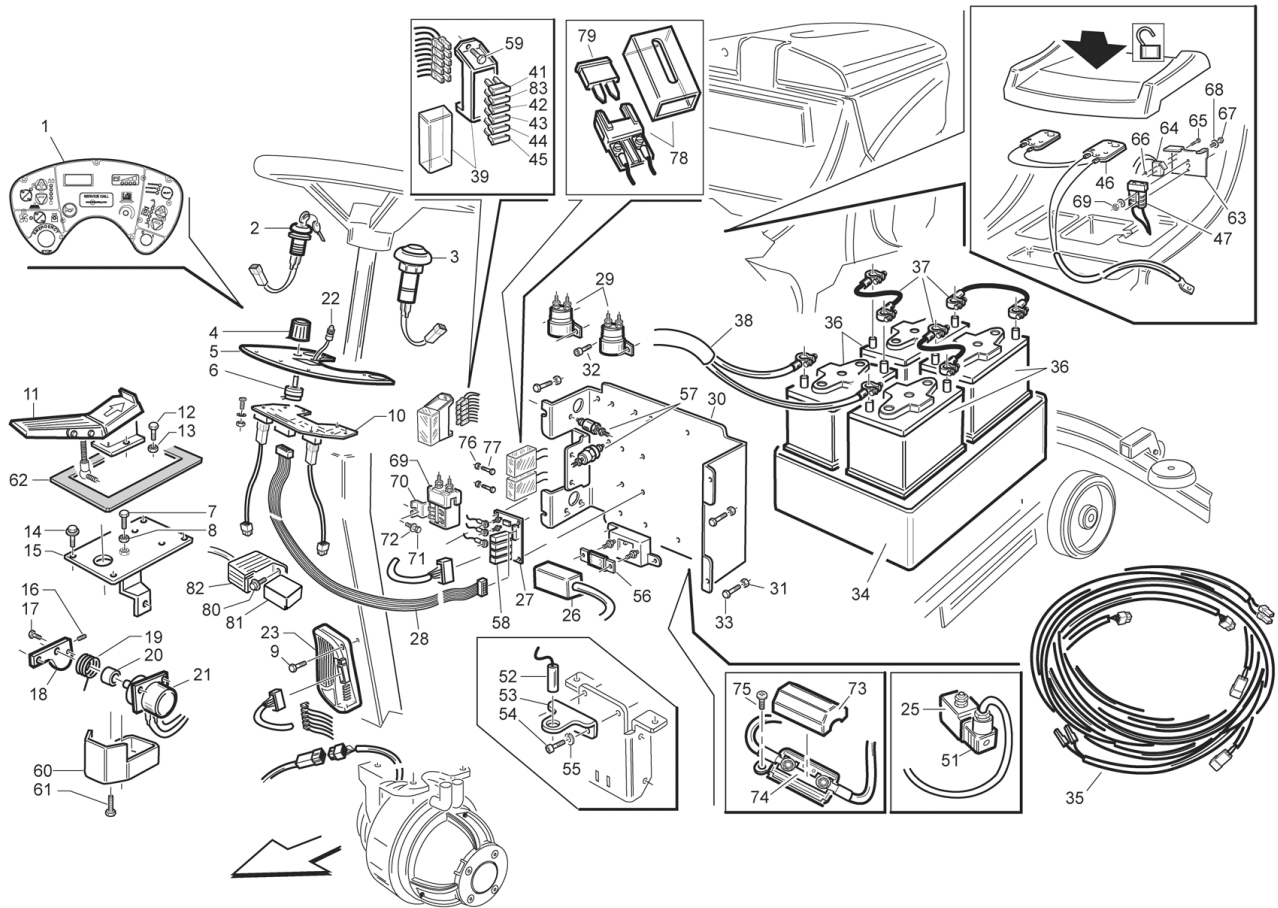
Ref.	K	Part N.	Customer Part N.	Description	Qty	Validity:		Price
						From	To	
0039		VTVT13936		SCREW TE M 10X 20	2,00		05/2011	--
0040		LAFN04144		WASHER RUOTE POSTERIORI	2,00			--
0041		RTRT00507		WHEEL D.300 H=70	2,00		05/2011	--
0041		RTRT00539		WHEEL REAR PU D.300 CT110	2,00	05/2011		--
0042		LAFN06360		FRAME CT110	1,00			--
0043		LAFN06427		LEVER CT110	1,00			--
0044		LAFN04147		SCREW ASTA SERBATOIO P185	1,00		11/2010	--
0044		VTVT15916		SCREW TE M 8X 16 UNI 5739 A2	1,00	11/2010		--
0045		VTRS00502		WASHER D. 5 0.466 UNI 6592	1,00			--
0046		VTVT00005		SCREW TE FR 5X12 ZB	1,00			--
0047		LAFN06522		PLATE CT110	1,00			--
0048		LAFN06523		SPACER Ø48 X Ø36,5 X 20	1,00			--
0049		CUVR00120		BEARING 6007-2RS1	2,00			--
0050		LAFN06387		BUSHING STERZO	2,00			--
0051		VTAE00018		SEEGER E25x1,2 DIN471	2,00			--
0052		LAFN04148		BUSHING ASTA SERBATOIO P185	1,00			--
0053		VTRS00506		WASHER D.12 UNI 6592	1,00		11/2010	--
0053		VTRS13946		WASHER D. 8 X24 INX UNI 6593	1,00	11/2010		--
0054		VTRS13947		WASHER D. 8 INX UNI 6592	4,00			--
0055		VTRS00245		WASHER D.6 UNI 6592 INOX	6,00			--
0056		MPVR02933		DUCT LOCK D.9,5	2,00			--
0057		VTVT37012		SCREW M 4X 10 TCB-TC INX	2,00			--
0058		FSVR00043		CLAMP d.16	1,00			--
0059		VTRS15144		WASHER D. 6 INX GRW UNI 1751	1,00			--
0060		VTVT15906		SCREW TE 6X 12 A2 UNI 5739	1,00			--
0061		LAFN06364		PLATE STERZO	1,00			--
0062		MPVR05951		CAP G48 FOR WHEEL	2,00	05/2011		--
0063		LAFN08995		ARM PORTARUOTA TERGI P185	2,00	05/2011		--



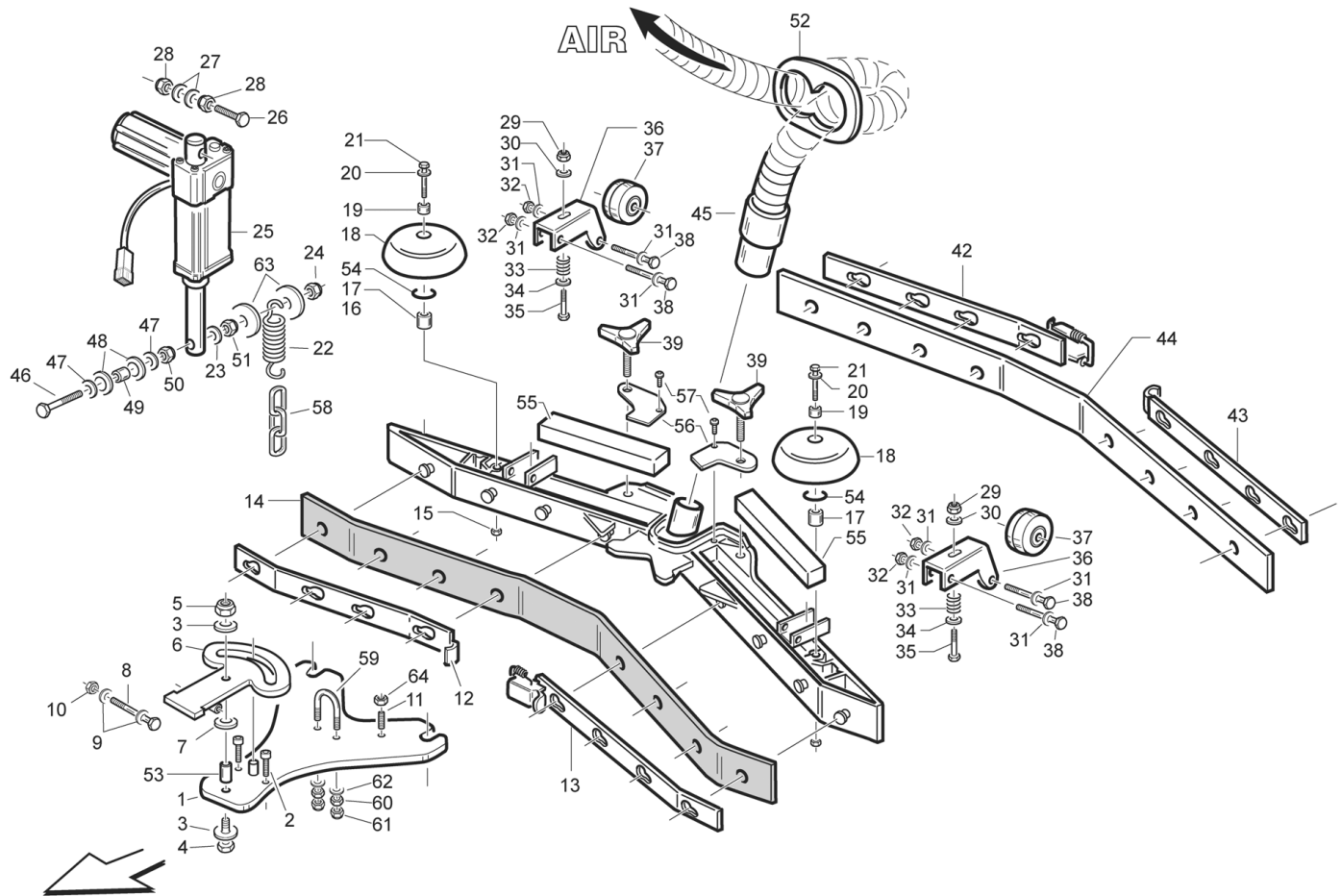
Ref.	K	Part N.	Customer Part N.	Description	Qty	Validity:		Price
						From	To	
0001		ETET01485		LABEL -	1,00			--
0002		MECI75805		SWITCH TK	1,00			--
0003		MECI00028		BUTTON DI EMERGENZA TK1400 24V	1,00			--
0004		KTRI01935		KIT 1050-1202	1,00			--
0005		LAFN06408		PLATE -	1,00			--
0006		MEVR01941		POTENTIOMETER 100K	1,00			--
0007		VTVT13937		SCREW TE M 8X 30 INX UNI 5739	1,00			--
0008		VTDD01696		NUT M 8 INX	1,00			--
0009		VTVT00727		SCREW TE M. 4-20	2,00			--
0010		MECE00451		BOARD CONTROL PANEL CT110	1,00			--
0011		LAFN06429		PEDALE CT110	1,00			--
0012		VTVT15143		SCREW TE 6X16 UNI5739	2,00			--
0013		VTDD15518		NUT M 6 INX	2,00			--
0014		VTVT00005		SCREW TE FR 5X12 ZB	4,00			--
0015		LAFN06521		SUPPORT ACCELERATORE	1,00			--
0016		VTVT00911		GRUB SCREW M4X8	1,00			--
0017		VTVT00727		SCREW TE M. 4-20	2,00			--
0018		LAFN06371		CONNECTING ROD POTENZIOMETRO	1,00			--
0019		MLML00301		SPRING ACCELLERATORE	1,00		04/2010	--
0019		MLML00327		SPRING -	1,00	04/2010		--
0020		MPVR05236		BUSHING -	1,00		04/2010	--
0020		MPVR05786		BUSHING	1,00	04/2010		--
0021		MEVR01700		POTENTIOMETER 0-5K	1,00			--
0022		MEVR02058		LED -	1,00			--
0023		MECE00450		BOARD TRACTION CURTIS CT110	1,00			--
0025		MEEV00018		SOLENOID VALVE	1,00		10/2011	--
0025		MEEV00044		SOLENOID VALVE	1,00	10/2011		--
0026		MEVR00146		FUSE-HOLDER MEGA	1,00			--
0027		MECE00452		BOARD ACTUATORS CONTROL CT110	1,00			--
0028		MECB01021		CABLE FLAT	1,00		10/2008	--
0028		MECB01099		CABLE FLAT	1,00	10/2008		--
0029		METT45116	#8479.90.9498	CONTACTOR 24V T106 P	2,00	05/2009		--
0029		METT45116	#8479.90.9498	CONTACTOR 24V T106 P	3,00		05/2009	--
0030		LAFN06503		PLATE ELETTRONICA	1,00			--
0032		VTVT00005		SCREW TE FR 5X12 ZB	8,00			--
0033		VTVT00005		SCREW TE FR 5X12 ZB	4,00			--
0034		MPVR05217		CONTAINER BATTERIA	1,00			--
0035		MECB01015		WIRING CT110	1,00			--
0036		BAAC00005		BATTERY 6 V 180 AH (C5)	4,00			--



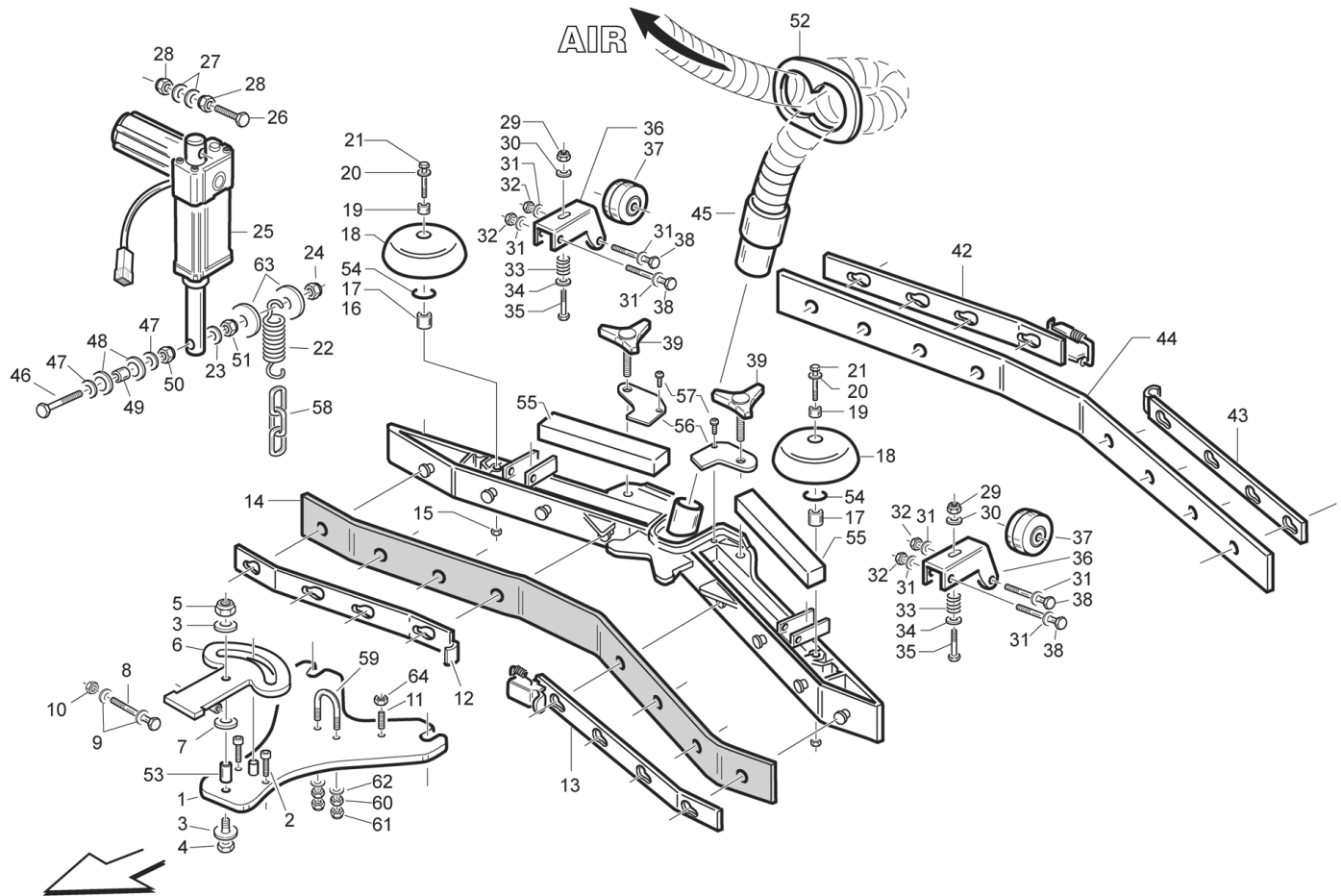
Ref.	K	Part N.	Customer Part N.	Description	Qty	Validity:		Price
						From	To	
0036		BAAC00074		BATTERY ACID 6V 180Ah TUBULAR	4,00			--
0037		MEVR34820		WIRING B 450 BT	3,00			--
0038		MECB01015		WIRING CT110	1,00			--
0039		MEVR00567		FUSE-HOLDER 6 VIE	1,00			--
0040		MEVR01136		FUSE 30A	1,00		10/2011	--
0041		MEVR01136		FUSE 30A	1,00		10/2011	--
0041		MEVR01428		FUSE A LAMA 2 A. UNIVAL	1,00	10/2011		--
0042		MEVR00327		FUSE 25A	1,00			--
0043		MEVR00584		FUSE 3A	1,00			--
0044		MEVR00584		FUSE 3A	1,00			--
0045		MEVR00584		FUSE 3A	1,00			--
0046		MEVR00148		DASHBOARD SEDILE	1,00			--
0047		MEVR01079		PLUG M CB50 A 600V RD.	1,00			--
0051		MECB01015		WIRING CT110	1,00			--
0052		MECI00405		SENSOR -	1,00			--
0053		LAFN06386		SUPPORT -	1,00			--
0054		VTVT15143		SCREW TE 6X16 UNI5739	2,00			--
0055		VTRS15144		WASHER D. 6 INX GRW UNI 1751	2,00			--
0056		MEVR00145		FUSE 100A	1,00			--
0057		MEVR47082		INSULATOR M6 35-CH32	1,00			--
0058		MECE00456		RELAY CT110	4,00			--
0059		VTVT00005		SCREW TE FR 5X12 ZB	2,00			--
0060		MPVR05235		COVER -	1,00			--
0061		VTVT00005		SCREW TE FR 5X12 ZB	2,00			--
0062		GUVR00292		GASKET CT110	1,00			--
0063		LAFN07362		PLATE ANDERSON	1,00			--
0064		MECI00334		MICROSWITCH V4	1,00			--
0065		VTVT00671		SCREW TC- M.2-16 OTTONE	2,00			--
0066		VTDD08634		NUT M2	2,00			--
0067		VTVT01350		SCREW M3-20 INOX	2,00			--
0068		VTRS21116		WASHER D. 3 INX	2,00			--
0069		MECI00532		CONTACTOR 24V-100A	1,00	05/2009		--
0070		LAFN07743		BRACKET -	1,00	05/2009		--
0071		VTVT01669		CARRYNG BAG	2,00	05/2009		--
0072		VTRS00501		WASHER D. 4 0.232 UNI 6592	2,00	05/2009		--
0073		MEVR31036		FUSE-HOLDER	1,00			--
0074		MEVR02042		FUSE 40A NST.	1,00			--
0075		VTVT00079		SCREW AUTOF.TC UNI6954 3,9X22	1,00			--
0076		VTDD01693		NUT M 5 INX	2,00	10/2011		--



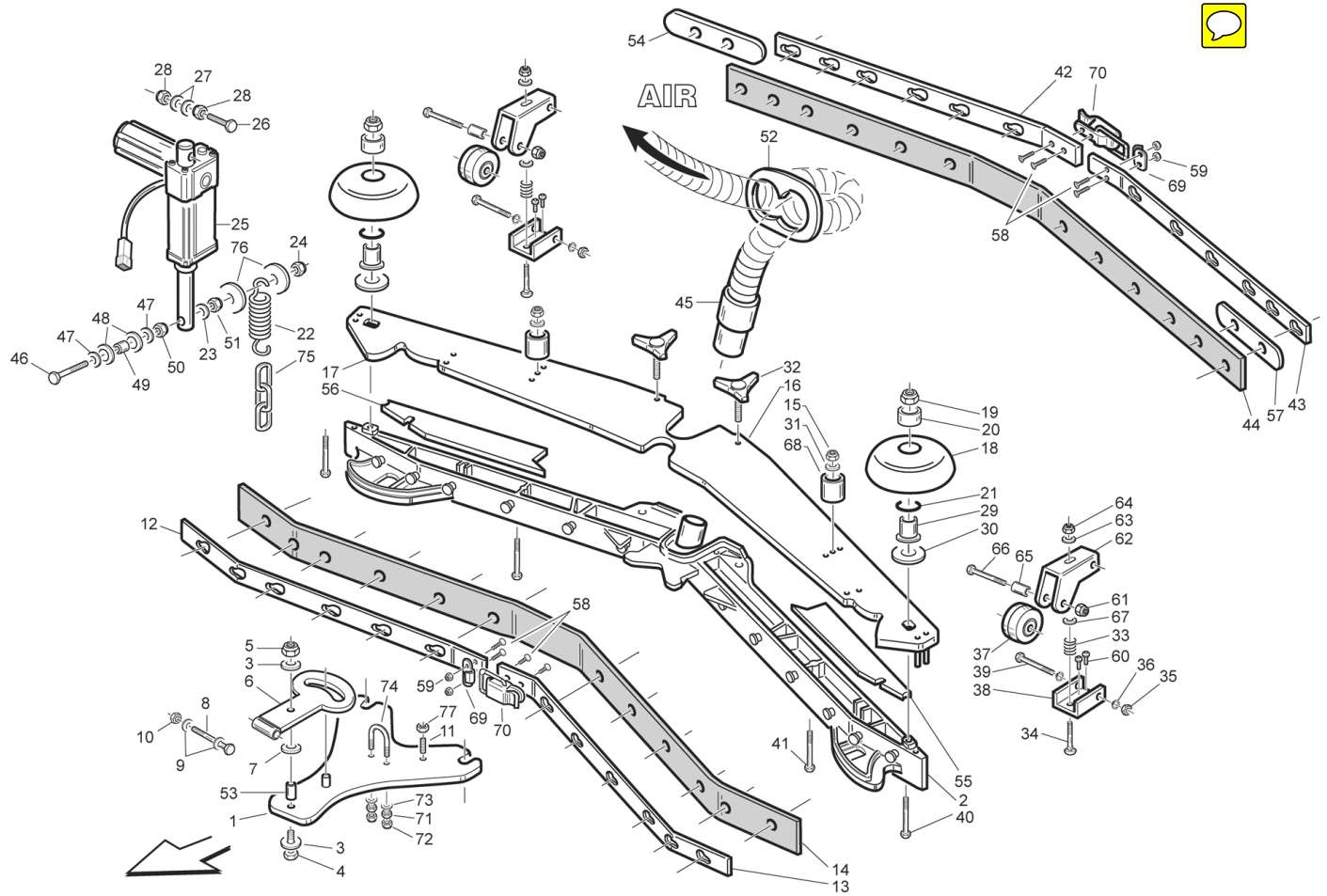
Ref.	K	Part N.	Customer Part N.	Description	Qty	Validity:		Price
						From	To	
0077		VTVT01300		SCREW TE M5X12 INOX	2,00	10/2011		--
0078		MEVR00613		FUSE CARRIER MAXIVAL with cover	2,00	10/2011		--
0079		MEVR02048		FUSE 40A	2,00	10/2011		--
0081		MECE00456		RELAY CT110	1,00			--
0083		MEVR00344		FUSE 4A	1,00	02/2015		--



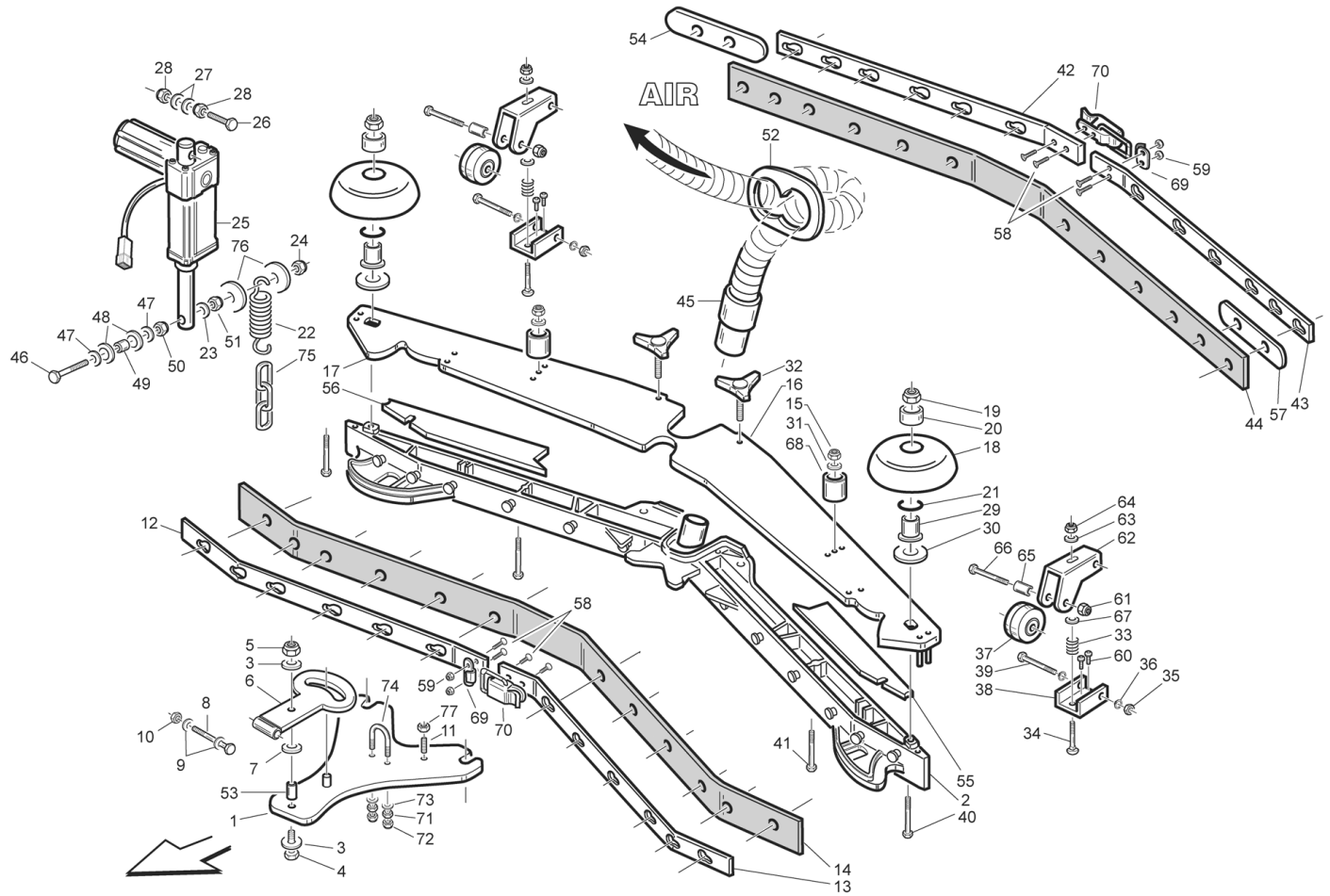
Ref.	K	Part N.	Customer Part N.	Description	Qty	Validity:		Price
						From	To	
0001		LAFN09241		PLATE -	1,00	04/2014		--
0001		LAFN05631		PLATE -	1,00		02/2009	--
0001		LAFN07536		PLATE -	1,00	02/2009	04/2014	--
0002		VTVT00876		SCREW TCEI M.8-16	2,00			--
0003		VTRS13946		WASHER D. 8 X24 INX UNI 6593	1,00			--
0004		VTVT00410		SCREW TE M8x35 UNI5739 INOX	1,00			--
0005		VTDD01695		NUT M 8 INX	1,00			--
0006		LAFN05599		SUPPORT	1,00			--
0007		VTRS43258		WASHER D.13X24 X2.5 NYL UNI6592	1,00			--
0008		VTVT00757		SCREW	1,00			--
0009		VTRS13947		WASHER D. 8 INX UNI 6592	2,00			--
0010		VTDD01695		NUT M 8 INX	1,00			--
0011		VTVT01145		CARRYNG BAG	1,00	07/2008		--
0011		VTVT01200		GRUB SCREW M8 X 16 INOX	1,00		07/2008	--
0012		LAFN51046		LAMINATION BLOCCA LAMA ANTER.DX "L"	1,00			--
0013		LAFN51047		LAMINATION BLOCCA LAMA ANTER.SX "L"	1,00			--
0014		MPVR48380		RUBBER BLADE LAV. 890	1,00			--
0015		VTDD15520		NUT M 6 A2 UNI 5588 INX	2,00			--
0016		KTRIO2049	KTRIO2049	BODY SQUEEGEE PRESSOFUSO "L"	1,00			--
0017		LAFN51074		PIN PARACOLPI	2,00			--
0018		MPVR02894		ROLLER PARACOLPI	2,00		04/2008	--
0018		MPVR05295		WHEEL PARACOLPI	2,00	04/2008		--
0020		VTRS15144		WASHER D. 6 INX GRW UNI 1751	2,00			--
0021		VTVT15916		SCREW TE M 8X 16 UNI 5739 A2	2,00			--
0022		CMCV00426		CABLE CT 110	1,00		09/2008	--
0022		CMCV00438		CABLE SOLLEVAMENTO	1,00	09/2008	06/2009	--
0022		CMCV00443		CABLE SQUEEGEE CT110	1,00	06/2009	04/2014	--
0022		MLML00342		SPRING -	1,00	04/2014		--
0023		VTRS15144		WASHER D. 6 INX GRW UNI 1751	2,00			--
0024		VTDD01694		NUT M6 INOX	2,00			--
0025		MOCC00322		ATUATOR SQUEEGEE CT110	1,00			--
0026		VTVT15917		SCREW TE M 8X50 INOX A2 UNI	1,00			--
0027		VTRS13947		WASHER D. 8 INX UNI 6592	2,00			--
0028		VTDD01695		NUT M 8 INX	2,00			--
0029		VTDD01695		NUT M 8 INX	2,00			--
0030		VTRS13947		WASHER D. 8 INX UNI 6592	4,00			--
0031		VTRS13947		WASHER D. 8 INX UNI 6592	2,00			--
0032		VTDD15520		NUT M 6 A2 UNI 5588 INX	4,00			--
0033		MLML49422		SPRING D.15X 45 X1	2,00			--



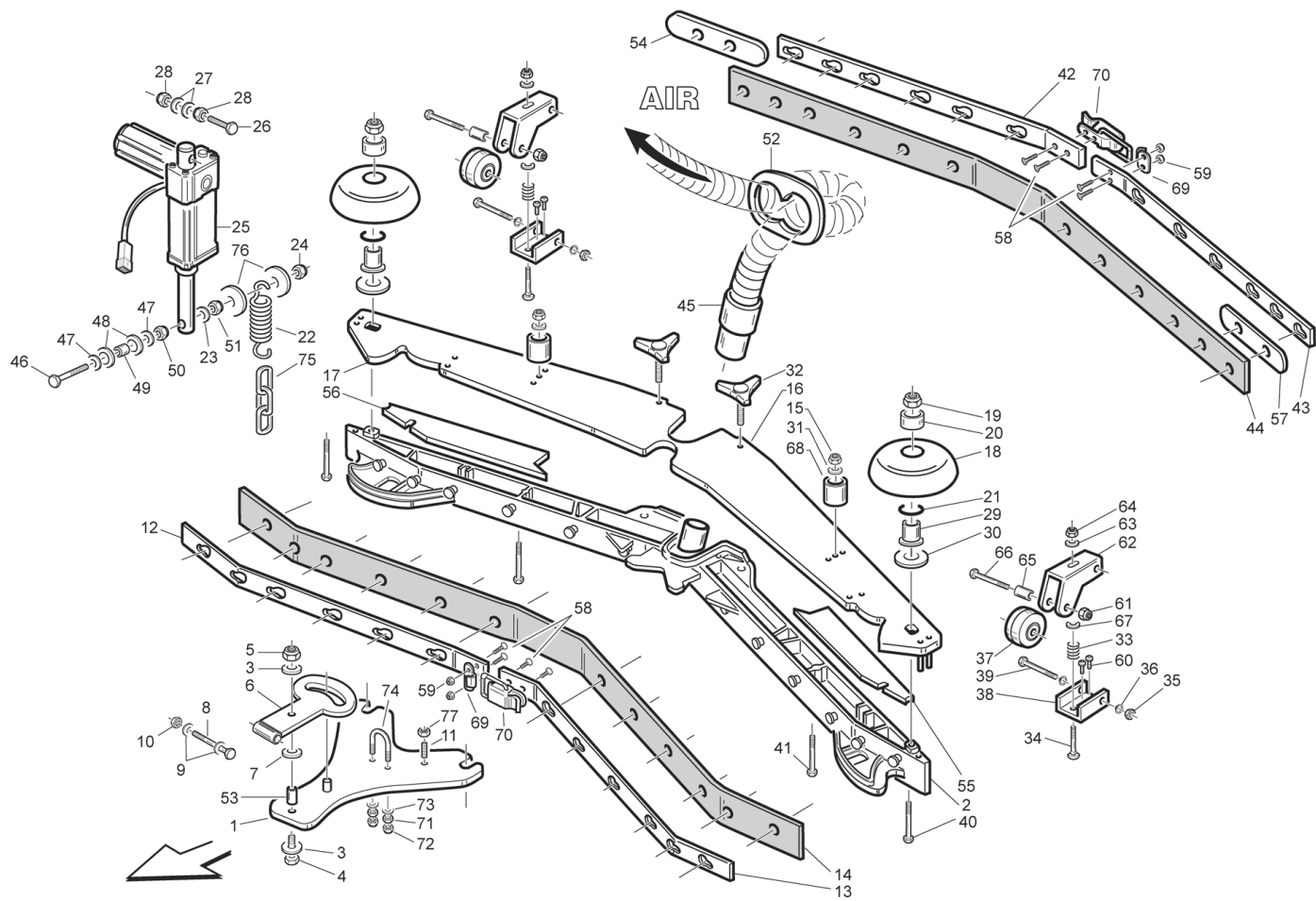
Ref.	K	Part N.	Customer Part N.	Description	Qty	Validity:		Price
						From	To	
0034		VTRS13947		WASHER D. 8 INX UNI 6592	2,00			--
0035		VTVT01304		SCREW M 8X 40 TTQST UNI 5731	2,00			--
0036		LAFN05559		SUPPORT RUOTINO	2,00			--
0037		RTRT49413		WHEEL D. 60-D.15 X36 NYL.	2,00			--
0038		VTVT15515		SCREW TE M 6X 50 INOX A2	2,00			--
0039		MPVR04164		HANDWHEEL M8 FILETTO PASSANTE	2,00		12/2007	--
0039		MPVR05265		KNOB 8X25	2,00	01/2008		--
0040		VTAE00074		CIRCLIP D8	2,00			--
0041		VTVT01050		SCREW TE M 8X30 INX UNI 5737	2,00			--
0042		LAFN05675		BLADE HOLDER POSTERIORE DX (L)	1,00			--
0043		LAFN05674		BLADE HOLDER POSTERIORE SX (L)	1,00			--
0044		MPVR48379		RUBBER BLADE LAV. 890 PARA	1,00			--
0045		TBBP00402		TUBE TERGI D.40	1,00			--
0046		VTVT17342		SCREW TE M 6X 60 UNI 5739 INX	1,00			--
0047		VTRS07728		WASHER D. 6 INX	3,00			--
0048		VTRS13947		WASHER D. 8 INX UNI 6592	2,00			--
0049		LAFN03840		BUSHING	1,00			--
0050		VTDD15518		NUT M 6 INX	1,00			--
0051		VTDD15518		NUT M 6 INX	1,00			--
0052		MPVR04659		FLANGE	1,00			--
0053		LAFN35608		SPACER S. BLOCK BT 530	1,00			--
0054		GUGO00164		GASKET	2,00	09/2009		--
0055		LAFN51039		WEIGHT IN QUADRO X SQUEEG.	2,00			--
0056		LAFN07805		SHEET METAL PA.-	2,00			--
0057		VTVT00881		SCREW TC+ M4x6 TRILOBATA INOX	2,00			--
0058		MTCR00029		SMALL CHAIN	0,01	04/2014	11/2014	--
0058		MTCR00103		CHAIN -	1,00	11/2014		--
0059		LAFN09231		BRACKET M6X11X29	1,00	04/2014		--
0060		VTDD15520		NUT M 6 A2 UNI 5588 INX	2,00	04/2014		--
0061		VTDD01694		NUT M6 INOX	2,00	04/2014		--
0062		VTRS00245		WASHER D.6 UNI 6592 INOX	2,00	04/2014		--
0063		VTRS13945		WASHER D. 6X18 INX UNI 6593	2,00	04/2014		--
0064		VTDD15521		NUT M 8 INX A2 UNI 5588	1,00			--



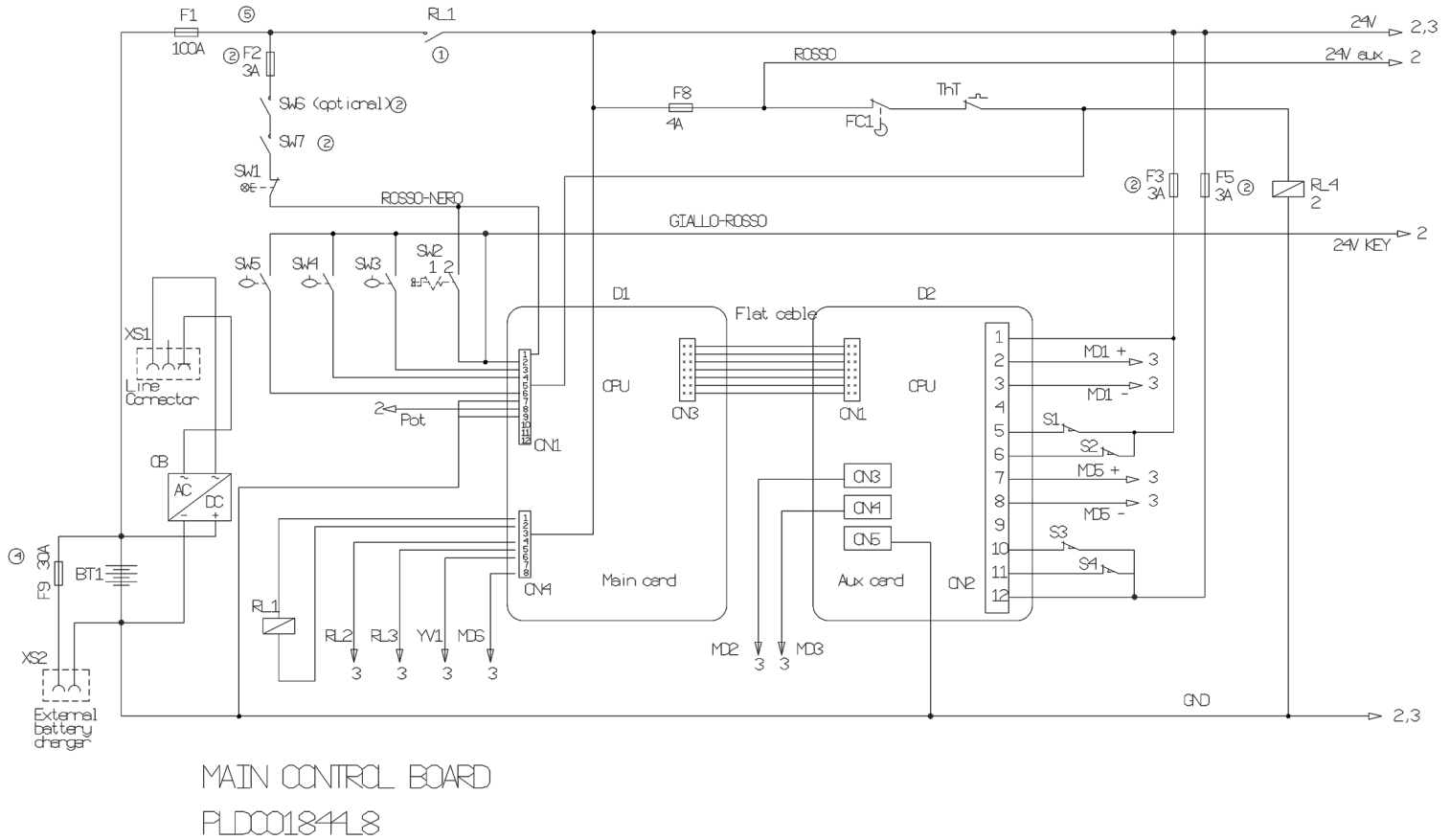
Ref.	K	Part N.	Customer Part N.	Description	Qty	Validity:		Price
						From	To	
0001		LAFN07536		PLATE -	1,00		04/2014	--
0001		LAFN09241		PLATE -	1,00	04/2014		--
0002		KTRI02049	KTRI02049	BODY SQUEEGEE PRESSOFUSO "L"	1,00			--
0003		VTRS13946		WASHER D. 8 X24 INX UNI 6593	1,00			--
0004		VTVT00410		SCREW TE M8x35 UNI5739 INOX	1,00			--
0005		VTDD01695		NUT M 8 INX	1,00			--
0006		LAFN09010		SUPPORT -	1,00			--
0007		VTRS15978		WASHER D.12X24 UNI 6592 INX	1,00			--
0008		VTVT00757		SCREW	1,00			--
0009		VTRS13947		WASHER D. 8 INX UNI 6592	2,00			--
0010		VTDD01695		NUT M 8 INX	1,00			--
0011		VTVT01145		CARRYNG BAG	1,00			--
0012		LAFN08952		BRACKET -	1,00		10/2013	--
0012		LAFN09284		SHEET METAL PA.-	1,00	10/2013		--
0013		LAFN08953		BRACKET -	1,00		10/2013	--
0013		LAFN09285		SHEET METAL PA.-	1,00	10/2013		--
0014		MPVR05804		RUBBER FRONT SQUEEGEE L PU	1,00		07/2013	--
0014		MPVR08040		BLADE L LATEX	1,00	07/2013		--
0015		VTDD01694		NUT M6 INOX	4,00			--
0016		LAFN09014		PLATE -	1,00			--
0017		LAFN09015		PLATE -	1,00			--
0018		MPVR05290		ROLLER PARACOLPI	2,00			--
0019		VTDD01694		NUT M6 INOX	2,00			--
0020		MPVR49229		BUSHING SHK	2,00			--
0021		GUGO00164		GASKET	2,00			--
0022		CMCV00445		CABLE LIFTING SQUEEGEE CT110	1,00		04/2014	--
0022		MLML00342		SPRING -	1,00	04/2014		--
0023		VTRS15144		WASHER D. 6 INX GRW UNI 1751	2,00			--
0024		VTDD01694		NUT M6 INOX	2,00			--
0025		MOCC00322		ATUATOR SQUEEGEE CT110	1,00			--
0026		VTVT15917		SCREW TE M 8X50 INOX A2 UNI	1,00			--
0027		VTRS13947		WASHER D. 8 INX UNI 6592	2,00			--
0028		VTDD01695		NUT M 8 INX	2,00			--
0029		LAFN04100		SPACER PER RUOTINO PARACOLPI	2,00			--
0030		VTRS16937		WASHER 6x24 INOX UNI 6593	2,00			--
0031		VTRS00245		WASHER D.6 UNI 6592 INOX	2,00			--
0032		MPVR06004		KNOB AISI 304	2,00			--
0033		MLML49422		SPRING D.15X 45 X1	2,00			--
0034		VTVT01304		SCREW M 8X 40 TTQST UNI 5731	2,00			--



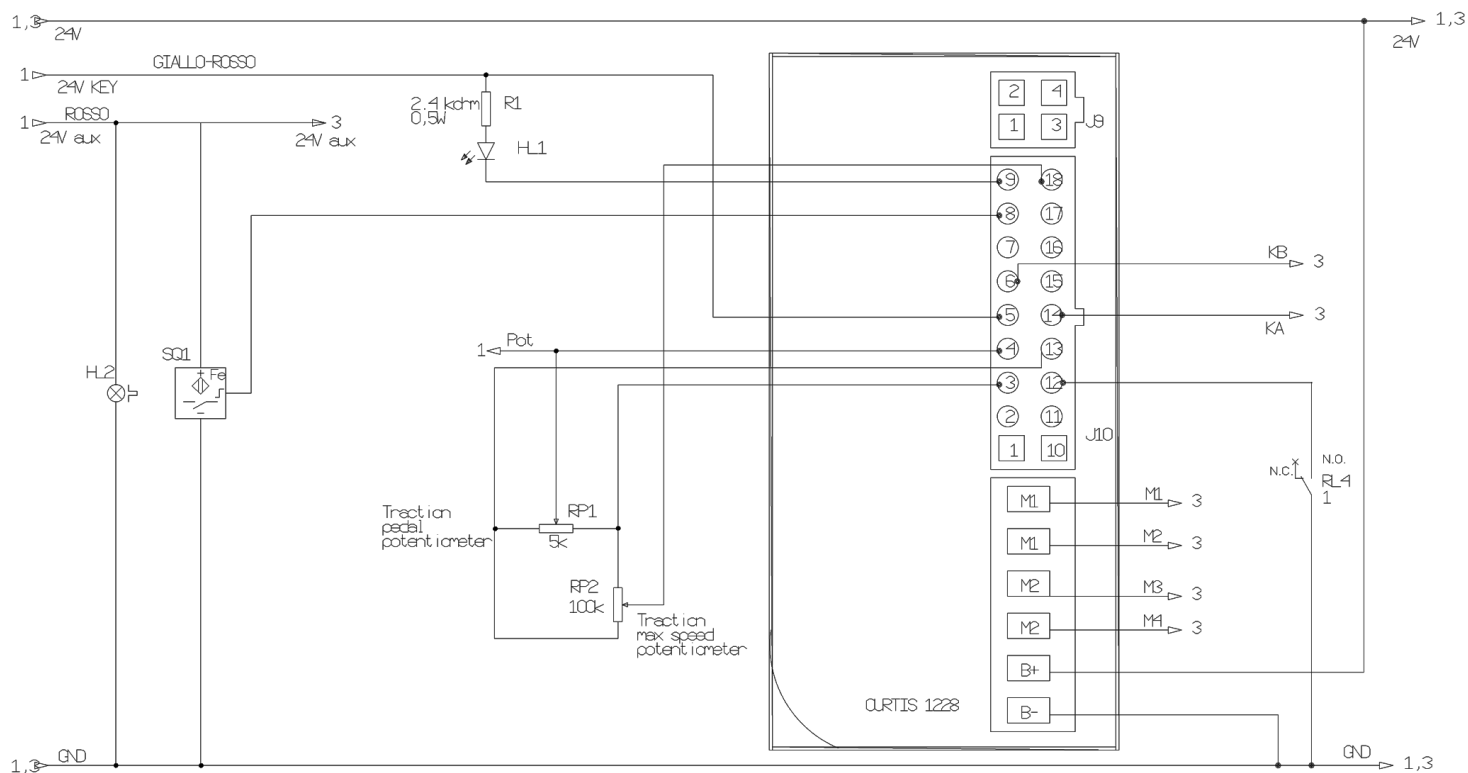
Ref.	K	Part N.	Customer Part N.	Description	Qty	Validity:		Price
						From	To	
0035		VTDD01694		NUT M6 INOX	2,00			--
0036		VTAE45707	#8479.90.9498	CIRCLIP D. 6 UNI 7434 INOX	4,00			--
0037		RTRT00540		WHEEL D.8x32	2,00			--
0038		LAFN51069		BRACKET SUPP.RUOTINO SQUEEGEE	2,00			--
0039		VTVT15515		SCREW TE M 6X 50 INOX A2	2,00			--
0040		VTVT00841		SCREW TE M 6X65 UNI 5739 INX	2,00			--
0041		VTVT00699		SCREW TE M. 6-70	2,00			--
0042		LAFN08954		BRACKET -	1,00		10/2013	--
0042		LAFN09286		SHEET METAL PA.-	1,00	10/2013		--
0043		LAFN08955		BRACKET -	1,00		10/2013	--
0043		LAFN09287		SHEET METAL PA.-	1,00	10/2013		--
0044		MPVR05806		RUBBER REAR SQUEEGEE L PU	1,00		07/2013	--
0044		MPVR08036		BLADE L LATEX	1,00	07/2013		--
0045		TBBP00402		TUBE TERGI D.40	1,00			--
0046		VTVT17342		SCREW TE M 6X 60 UNI 5739 INX	1,00			--
0047		VTRS07728		WASHER D. 6 INX	3,00			--
0048		VTRS13947		WASHER D. 8 INX UNI 6592	2,00			--
0049		LAFN03840		BUSHING	1,00			--
0050		VTDD15518		NUT M 6 INX	1,00			--
0051		VTDD15518		NUT M 6 INX	1,00			--
0052		MPVR04659		FLANGE	1,00			--
0053		LAFN35608		SPACER S. BLOCK BT 530	1,00			--
0054		MPVR05898		CLOSURE L	1,00			--
0055		GUVR00302		GASKET -	1,00			--
0056		GUVR00303		GASKET -	1,00			--
0057		MPVR05898		CLOSURE L	1,00			--
0058		VTVT01070		SCREW TSTC M3X8	8,00			--
0059		VTDD00210		NUT M 3 INOX	8,00			--
0060		VTVR01040		RIVET -	4,00			--
0061		VTDD01694		NUT M6 INOX	2,00			--
0062		LAFN05559		SUPPORT RUOTINO	2,00			--
0063		VTRS13947		WASHER D. 8 INX UNI 6592	2,00			--
0064		VTDD01695		NUT M 8 INX	2,00			--
0065		TBBP00124		TUBE D 8/6	0,01			--
0066		VTVT15515		SCREW TE M 6X 50 INOX A2	2,00			--
0067		VTRS13947		WASHER D. 8 INX UNI 6592	2,00			--
0068		MPVR06016		BRACKET -	2,00			--
0071		VTDD15520		NUT M 6 A2 UNI 5588 INX	2,00	04/2014		--
0072		VTDD01694		NUT M6 INOX	2,00	04/2014		--



Ref.	K	Part N.	Customer Part N.	Description	Qty	Validity:		Price
						From	To	
0073		VTRS00245		WASHER D.6 UNI 6592 INOX	2,00	04/2014		--
0074		LAFN09231		BRACKET M6X11X29	1,00	04/2014		--
0075		MTCR00029		SMALL CHAIN	0,01	04/2014		--
0076		VTRS13945		WASHER D. 6X18 INX UNI 6593	2,00	04/2014		--
0077		VTDD15521		NUT M 8 INX A2 UNI 5588	1,00	04/2014		--

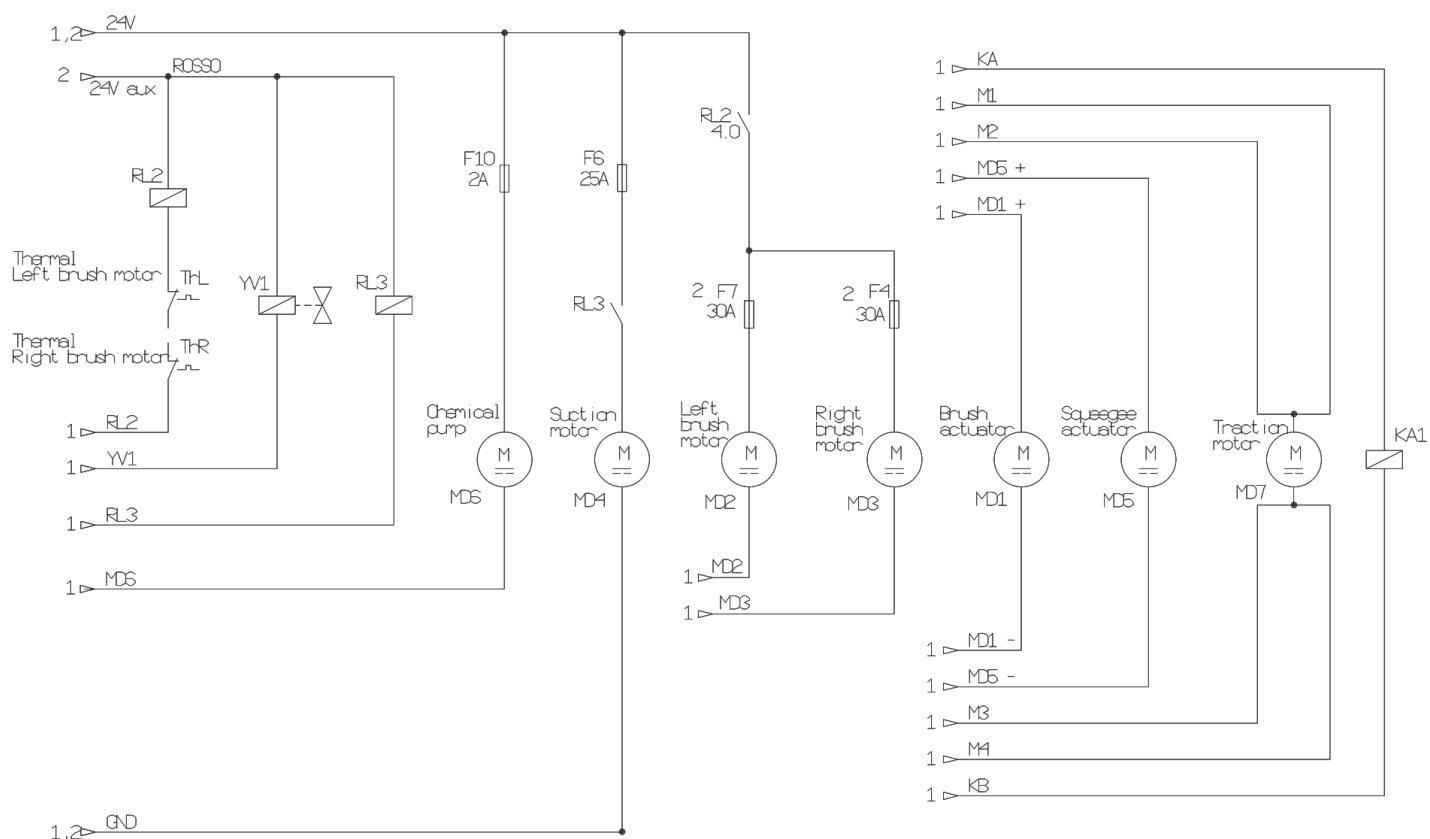


Ref.	K	Part N.	Customer Part N.	Description	Qty	Validity: From To	Price
00CB		BACA00117		BATTERY-CHARGER	1,00		--
00D1		MECE00451		BOARD CONTROL PANEL CT110	1,00		--
00S1		MOCC00317		ATUATOR	1,00		--
00S2		MOCC00317		ATUATOR	1,00		--
00S3		MOCC00318		ATUATOR	1,00		--
00S4		MOCC00318		ATUATOR	1,00		--
0FC1		MEVR00148		DASHBOARD SEDILE	1,00		--
0FU7		MEVR00379		FUSE RESETTABLE 25A -ETA-	1,00		--
0HL2		MEVR00935		FLASHING LIGHT G1050	1,00		--
0MD1		MOCC00317		ATUATOR	1,00		--
0MD4		MOCC00273		MOTOR 3 ST.24V 116598-13	1,00		--
0MD5		MOCC00318		ATUATOR	1,00		--
0MD7		MOCC00316		MOTOR MR240-01 M420	1,00		--
0RL1		MECI00532		CONTACTOR 24V-100A	1,00		--
0RL2		METT45116	#8479.90.9498	CONTACTOR 24V T106 P	1,00		--
0RL3		METT45116	#8479.90.9498	CONTACTOR 24V T106 P	1,00		--
0RP2		MEVR01941		POTENTIOMETER 100K	1,00		--
0SQ1		MECI00405		SENSOR -	1,00		--
0SW1		MECI00341		BUTTON DI EMERGENZA	1,00		--
0SW2		MECI00340		SWITCH A CHIAVE X MOT.BATT.P185	1,00		--
0SW3		MECI00516		SENSOR DI LIVELLO ORIZZONTALE	1,00		--
0SW4		MECI00533		SENSOR VS303-51N	1,00		--
0YV1		MEEV00018		SOLENOID VALVE	1,00	10/2011	--
0YV1		MEEV00044		SOLENOID VALVE	1,00	10/2011	--
F1		MEVR00145		FUSE 100A	1,00		--
F2		MEVR01428		FUSE A LAMA 2 A. UNIVAL	1,00		--
F3		MEVR00584		FUSE 3A	1,00		--
F4		MEVR00644		FUSE MAXIVAL 30A	1,00		--
F5		MEVR00584		FUSE 3A	1,00		--
F6		MEVR00327		FUSE 25A	1,00		--
F7		MEVR00644		FUSE MAXIVAL 30A	1,00		--
F8		MEVR01428		FUSE A LAMA 2 A. UNIVAL	1,00		--



CURTIS CONNECTORS
PLD001844L8

Ref.	K	Part N.	Customer Part N.	Description	Qty	Validity: From To	Price
00CB		BACA00117		BATTERY-CHARGER	1,00		--
00D1		MECE00451		BOARD CONTROL PANEL CT110	1,00		--
00S1		MOCC00317		ATUATOR	1,00		--
00S2		MOCC00317		ATUATOR	1,00		--
00S3		MOCC00318		ATUATOR	1,00		--
00S4		MOCC00318		ATUATOR	1,00		--
0FC1		MEVR00148		DASHBOARD SEDILE	1,00		--
0FU7		MEVR00379		FUSE RESETTABLE 25A -ETA-	1,00		--
0HL2		MEVR00935		FLASHING LIGHT G1050	1,00		--
0MD1		MOCC00317		ATUATOR	1,00		--
0MD4		MOCC00273		MOTOR 3 ST.24V 116598-13	1,00		--
0MD5		MOCC00318		ATUATOR	1,00		--
0MD7		MOCC00316		MOTOR MR240-01 M420	1,00		--
0RL1		MECI00532		CONTACTOR 24V-100A	1,00		--
0RL2		METT45116	#8479.90.9498	CONTACTOR 24V T106 P	1,00		--
0RL3		METT45116	#8479.90.9498	CONTACTOR 24V T106 P	1,00		--
0RP2		MEVR01941		POTENTIOMETER 100K	1,00		--
0SQ1		MECI00405		SENSOR -	1,00		--
0SW1		MECI00341		BUTTON DI EMERGENZA	1,00		--
0SW2		MECI00340		SWITCH A CHIAVE X MOT.BATT.P185	1,00		--
0SW3		MECI00516		SENSOR DI LIVELLO ORIZZONTALE	1,00		--
0SW4		MECI00533		SENSOR VS303-51N	1,00		--
0YV1		MEEV00018		SOLENOID VALVE	1,00		10/2011
0YV1		MEEV00044		SOLENOID VALVE	1,00	10/2011	--
F1		MEVR00145		FUSE 100A	1,00		--
F2		MEVR01428		FUSE A LAMA 2 A. UNIVAL	1,00		--
F3		MEVR00584		FUSE 3A	1,00		--
F4		MEVR00644		FUSE MAXIVAL 30A	1,00		--
F5		MEVR00584		FUSE 3A	1,00		--
F6		MEVR00327		FUSE 25A	1,00		--
F7		MEVR00644		FUSE MAXIVAL 30A	1,00		--
F8		MEVR01428		FUSE A LAMA 2 A. UNIVAL	1,00		--



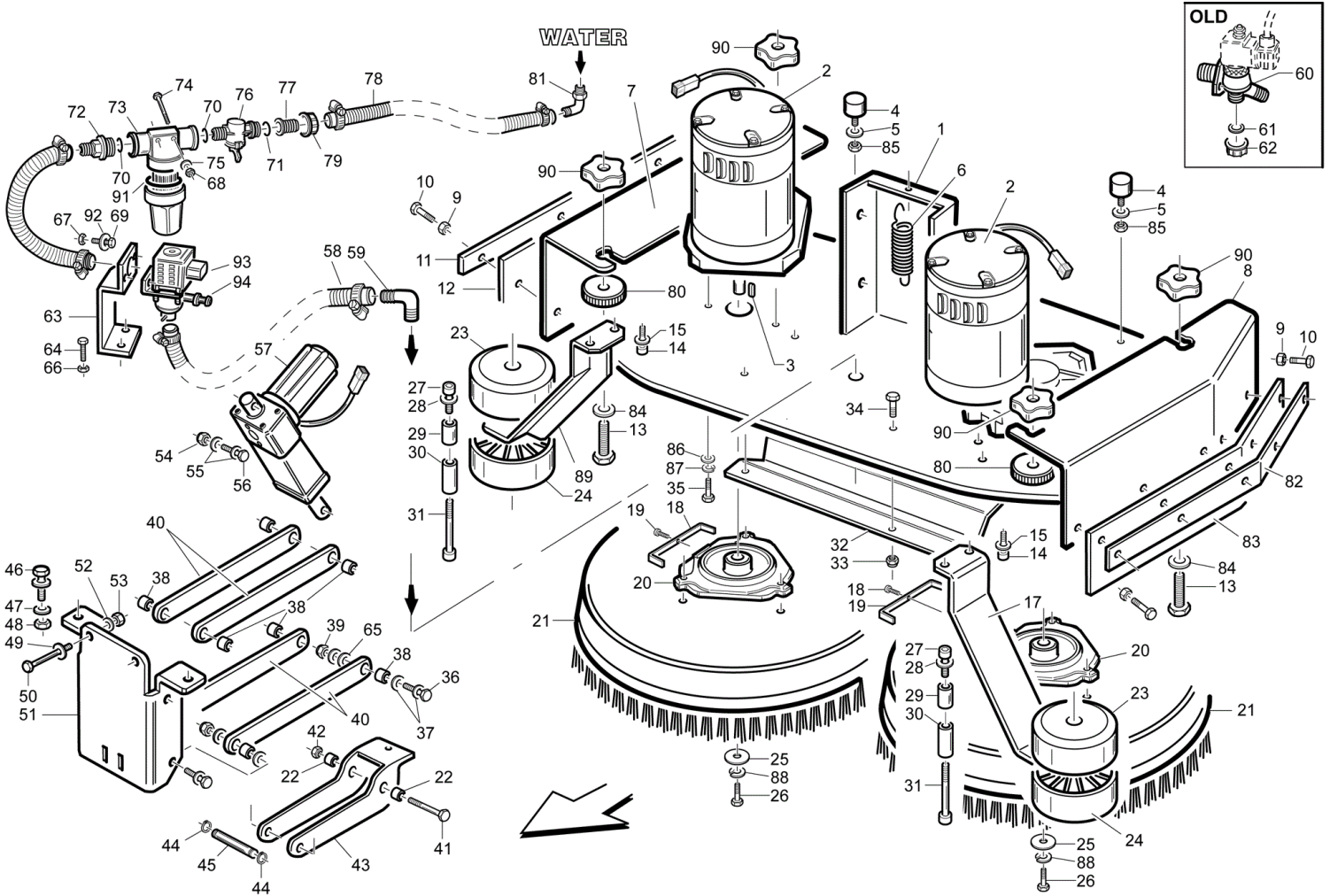
MOTORS AND ACTUATORS

PLD001844L8

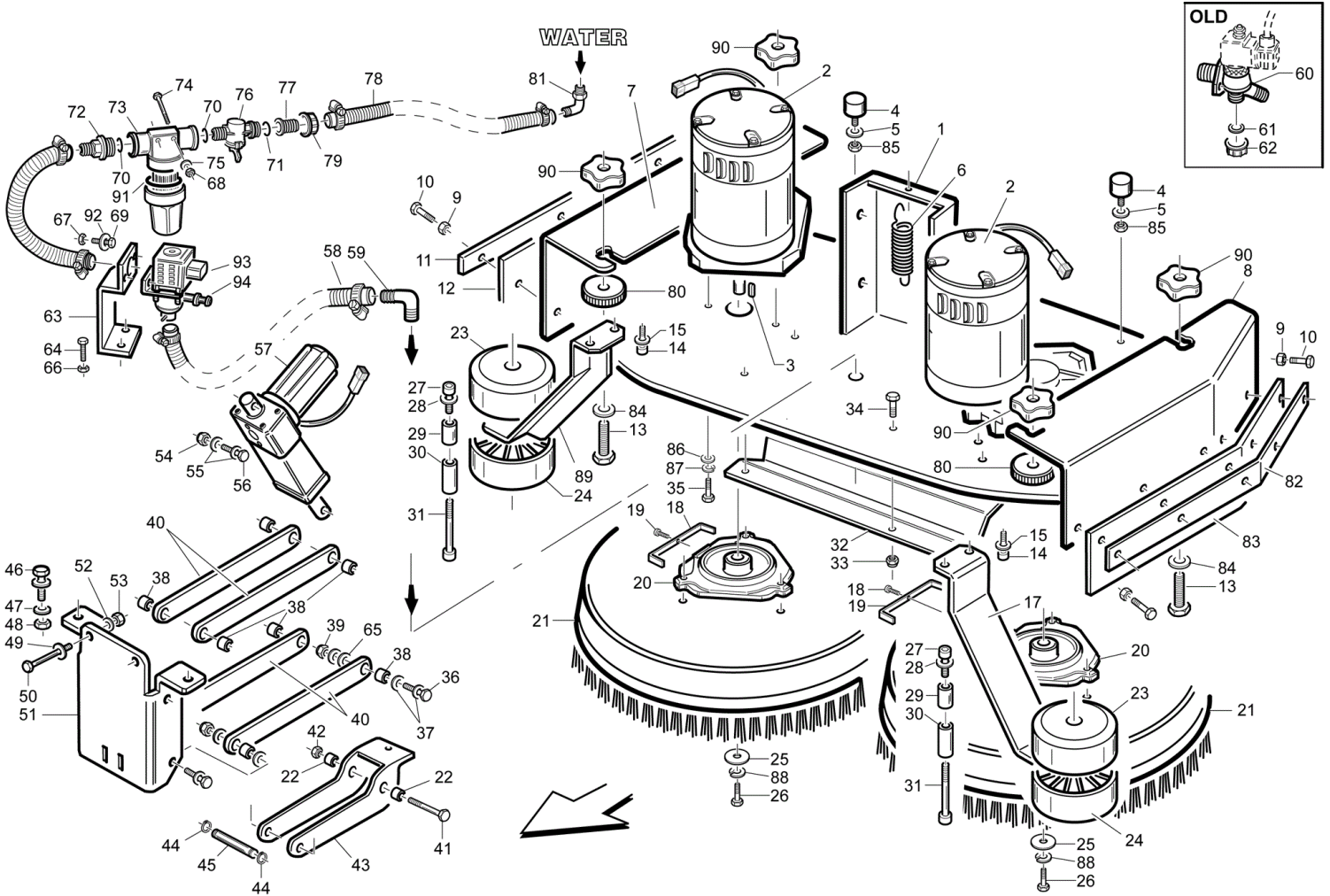
Ref.	K	Part N.	Customer Part N.	Description	Qty	Validity:		Price
						From	To	
00CB		BACA00117		BATTERY-CHARGER	1,00			--
00D1		MECE00451		BOARD CONTROL PANEL CT110	1,00			--
00S1		MOCC00317		ATUATOR	1,00			--
00S2		MOCC00317		ATUATOR	1,00			--
00S3		MOCC00318		ATUATOR	1,00			--
00S4		MOCC00318		ATUATOR	1,00			--
0FC1		MEVR00148		DASHBOARD SEDILE	1,00			--
0FU7		MEVR00379		FUSE RESETTABLE 25A -ETA-	1,00			--
0HL2		MEVR00935		FLASHING LIGHT G1050	1,00			--
0MD1		MOCC00317		ATUATOR	1,00			--
0MD4		MOCC00273		MOTOR 3 ST.24V 116598-13	1,00			--
0MD5		MOCC00318		ATUATOR	1,00			--
0MD7		MOCC00316		MOTOR MR240-01 M420	1,00			--
0RL1		MECI00532		CONTACTOR 24V-100A	1,00			--
0RL2		METT45116	#8479.90.9498	CONTACTOR 24V T106 P	1,00			--
0RL3		METT45116	#8479.90.9498	CONTACTOR 24V T106 P	1,00			--
0RP2		MEVR01941		POTENTIOMETER 100K	1,00			--
0SQ1		MECI00405		SENSOR -	1,00			--
0SW1		MECI00341		BUTTON DI EMERGENZA	1,00			--
0SW2		MECI00340		SWITCH A CHIAVE X MOT.BATT.P185	1,00			--
0SW3		MECI00516		SENSOR DI LIVELLO ORIZZONTALE	1,00			--
0SW4		MECI00533		SENSOR VS303-51N	1,00			--
0YV1		MEEV00018		SOLENOID VALVE	1,00		10/2011	--
0YV1		MEEV00044		SOLENOID VALVE	1,00	10/2011		--
F1		MEVR00145		FUSE 100A	1,00			--
F2		MEVR01428		FUSE A LAMA 2 A. UNIVAL	1,00			--
F3		MEVR00584		FUSE 3A	1,00			--
F4		MEVR00644		FUSE MAXIVAL 30A	1,00			--
F5		MEVR00584		FUSE 3A	1,00			--
F6		MEVR00327		FUSE 25A	1,00			--
F7		MEVR00644		FUSE MAXIVAL 30A	1,00			--
F8		MEVR01428		FUSE A LAMA 2 A. UNIVAL	1,00			--

Sim. Syn.	Sigla Item	Descrizione Description	Sim. Syn.	Sigla Item	Descrizione Description	Sim. Syn.	Sigla Item	Descrizione Description	Sim. Syn.	Sigla Item	Descrizione Description
	BT1 1	Battery 24V		F10 3	Fuse Chemical pump		R1 2	Resistor		Sw1 1	E.Stop button
	CB 1	OnBoard Battery charger (optional)		FC1 2	Seat microswitch		RL1 1	Main contactor		Sw2 1	ON / OFF key
	DI 1	Main control board		THR 3	Thermal Right brush motor		RL2 3	Brush motor relay		Sw3 1	Fluid level dirty water
	DI 1	Auxiliary control board		THL 3	Thermal Left brush motor		RL3 3	Suction motor relay		Sw4 1	Fluid level Clean water
	F1 1	Fuse 24V main line		THT 1	Thermal traction motor		RP1 2	Traction potentiometer (Throttle)		Sw5 1	Fluid level chemical
	F2 1	Fuse 24V service line		MD1 3	Brush actuator		RP2 2	Speed reduction potentiometer		Sw6 1	OnBoard charger safety switch (optional)
	F3 1	Fuse linear actuator		MD2 3	Left brush motor		S1 1	Microswitch brush actuator UP		Sw7 1	Charger plug safety switch
	F4 3	Fuse right brush		MD3 3	Right brush motor		S2 1	Microswitch brush actuator DW		XS1 1	Line Connector
	F5 1	Fuse linear actuator		MD4 3	Suction motor		S3 1	Microswitch squeegee actuator UP		XS2 1	External battery charger
	F6 3	Fuse suction motor		MD5 3	Squeegee actuator		S4 1	Microswitch squeegee actuator down		YV1 3	Water electrovalve
	F7 3	Fuse left brush		MD6 3	Chemical pump		H1 2	LED Curtis		RL4 1	Inhibit relay
	F8 1	Fuse 24V aux line		MD7 3	Traction motor		H2 2	Rotating Beacon (optional)		KA1 3	Brake
	F9 1	Fuse battery charge line		SQ1 2	Slow down inductive sensor						

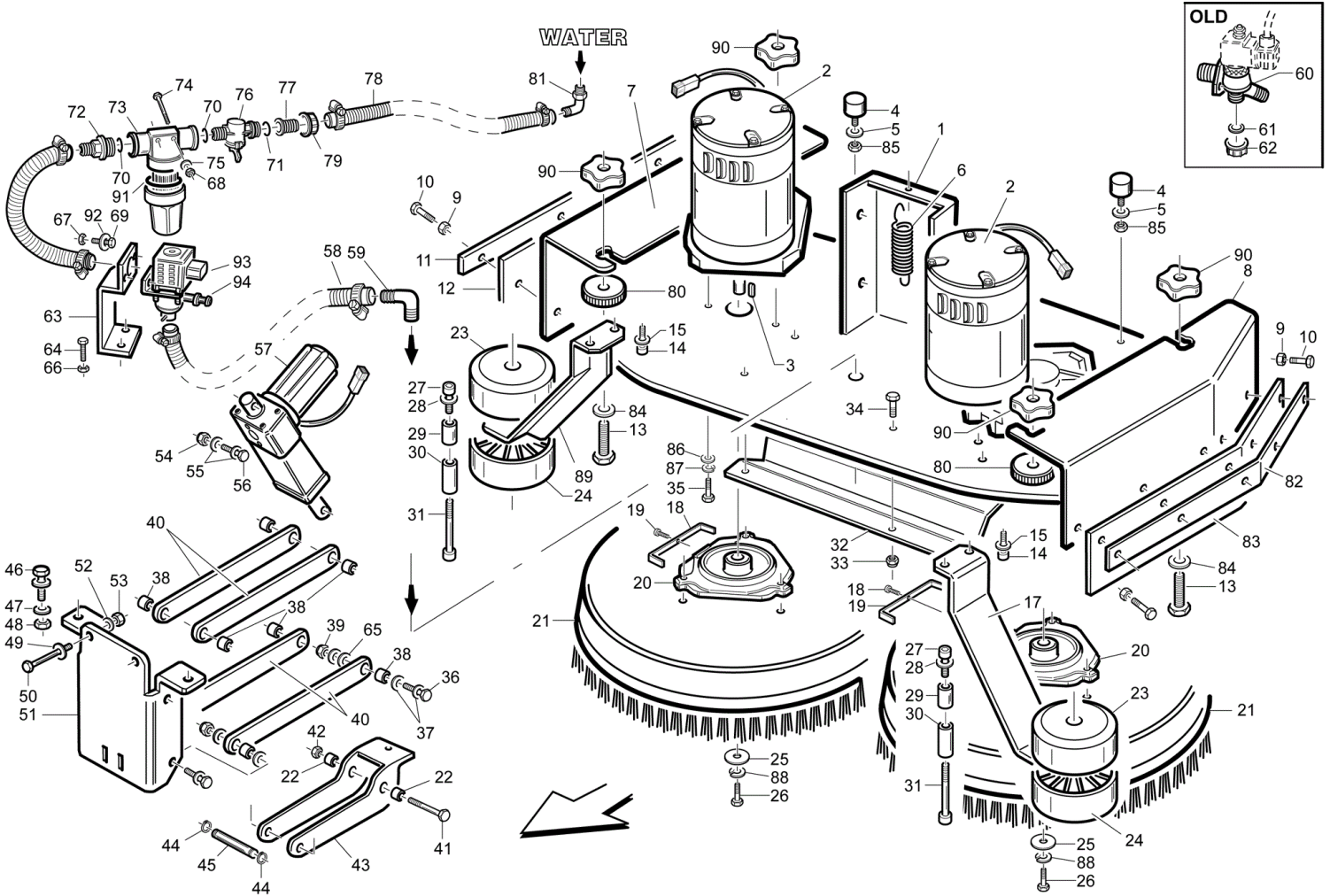
Ref.	K	Part N.	Customer Part N.	Description	Qty	Validity: From	To	Price
00CB		BACA00117		BATTERY-CHARGER	1,00			--
00D1		MECE00451		BOARD CONTROL PANEL CT110	1,00			--
00S1		MOCC00317		ATUATOR	1,00			--
00S2		MOCC00317		ATUATOR	1,00			--
00S3		MOCC00318		ATUATOR	1,00			--
00S4		MOCC00318		ATUATOR	1,00			--
0FC1		MEVR00148		DASHBOARD SEDILE	1,00			--
0FU7		MEVR00379		FUSE RESETTABLE 25A -ETA-	1,00			--
0HL2		MEVR00935		FLASHING LIGHT G1050	1,00			--
0MD1		MOCC00317		ATUATOR	1,00			--
0MD4		MOCC00273		MOTOR 3 ST.24V 116598-13	1,00			--
0MD5		MOCC00318		ATUATOR	1,00			--
0MD7		MOCC00316		MOTOR MR240-01 M420	1,00			--
0RL1		MECI00532		CONTACTOR 24V-100A	1,00			--
0RL2		METT45116	#8479.90.9498	CONTACTOR 24V T106 P	1,00			--
0RL3		METT45116	#8479.90.9498	CONTACTOR 24V T106 P	1,00			--
0RP2		MEVR01941		POTENTIOMETER 100K	1,00			--
0SQ1		MECI00405		SENSOR -	1,00			--
0SW1		MECI00341		BUTTON DI EMERGENZA	1,00			--
0SW2		MECI00340		SWITCH A CHIAVE X MOT.BATT.P185	1,00			--
0SW3		MECI00516		SENSOR DI LIVELLO ORIZZONTALE	1,00			--
0SW4		MECI00533		SENSOR VS303-51N	1,00			--
0YV1		MEEV00018		SOLENOID VALVE	1,00		10/2011	--
0YV1		MEEV00044		SOLENOID VALVE	1,00	10/2011		--
F1		MEVR00145		FUSE 100A	1,00			--
F2		MEVR01428		FUSE A LAMA 2 A. UNIVAL	1,00			--
F3		MEVR00584		FUSE 3A	1,00			--
F4		MEVR00644		FUSE MAXIVAL 30A	1,00			--
F5		MEVR00584		FUSE 3A	1,00			--
F6		MEVR00327		FUSE 25A	1,00			--
F7		MEVR00644		FUSE MAXIVAL 30A	1,00			--
F8		MEVR01428		FUSE A LAMA 2 A. UNIVAL	1,00			--



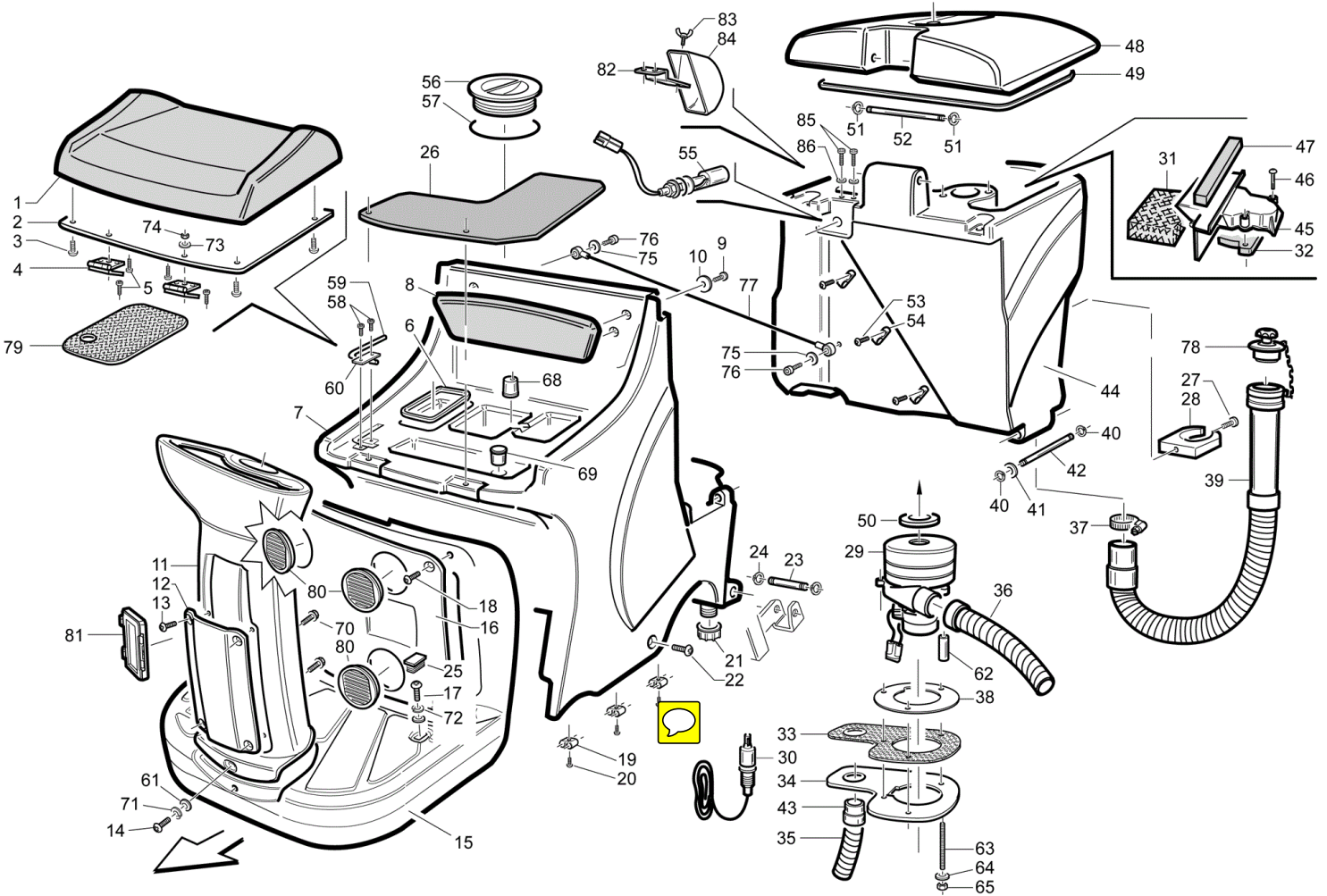
Ref.	K	Part N.	Customer Part N.	Description	Qty	Validity:		Price
						From	To	
0001		LAFN06376		PLATE 700	1,00			--
0002		MOCC00161		MOTOR.GEARBOX 300W	2,00		04/2008	--
0002		MOCC00328		MOTOR GEARBOX BRUSH 24V 380W	2,00	04/2008		--
0002		MOCC00344		BRUSH -	1,00			--
0003		VTVR16617		KEY 6X 6X30 UNI 6604	2,00			--
0004		ABGO00019		VIBRATION DAMP.40x30 M8x2845 SH	2,00			--
0005		VTRS15146		WASHER D. 8 INX GRW UNI 1751	2,00			--
0006		MLML00241		SPRING TESTATA SPAZZOLA P185	1,00			--
0007		LAFN06369		PLANE DX 700	1,00		11/2008	--
0007		LAFN06958		PLANE DX 700	1,00	11/2008		--
0008		LAFN06839		PLANE SX 700	1,00		11/2008	--
0008		LAFN07045		PLANE SX 700	1,00	11/2008		--
0009		VTDD01694		NUT M6 INOX	10,00			--
0010		VTVT15143		SCREW TE 6X16 UNI5739	10,00			--
0011		LAFN06361		SHEET METAL PA.FLAP	1,00		11/2008	--
0011		LAFN07080		SHEET METAL PA.FLAP	1,00	11/2008		--
0012		MPVR05222		FLAP DX	1,00			--
0013		VTVT00469		SCREW TE M 12X 60 INX UNI 5739	4,00		01/2012	--
0013		VTVT01167		SCREW TCB T 5X30	4,00	02/2012		--
0014		VTVT15907		SCREW TE 8X25 UNI5739 INX	4,00			--
0015		VTRS13947		WASHER D. 8 INX UNI 6592	2,00			--
0017		LAFN07361		SUPPORT PARACOLPI 700	1,00			--
0018		MLML00230		SPRING ANTISGANCIO 70 X FLANGIA	2,00		05/2012	--
0018		MLML00328		SPRING -	2,00	05/2012		--
0019		VTVT21887		SCREW TCB-TC 4X10 8112	2,00			--
0020		MFVR00212		DRIVE DISK	2,00			--
0021		SPPV47749		BRUSH NYLON 0.8 D.340 BT 7000	2,00			--
0022		LAFN04187		SPACER PER RIDUTTORE	2,00			--
0023		RTRT00502		WHEEL ANTIRIBALTAMENTO	2,00		04/2008	--
0023		RTRT00510		WHEEL ANTIRIBALTAMENTO	2,00	04/2008		--
0024		MPVR02894		ROLLER PARACOLPI	2,00		04/2008	--
0024		MPVR05295		WHEEL PARACOLPI	2,00	04/2008		--
0025		VTRS13946		WASHER D. 8 X24 INX UNI 6593	2,00			--
0026		VTVT13938		SCREW TE 8X20 UNI5739 INX	2,00			--
0027		VTVT01118		SCREW TCEI M 8X16 ZC. UNI 5931	2,00			--
0028		VTRS13947		WASHER D. 8 INX UNI 6592	2,00			--
0029		LAFN06472		PIN RUOTA	2,00			--
0030		LAFN07060		SPACER RUOTA PARACOLPI	2,00			--
0031		VTVT09650		SCREW TCEI 8X50 UNI5931	2,00	03/2015		--



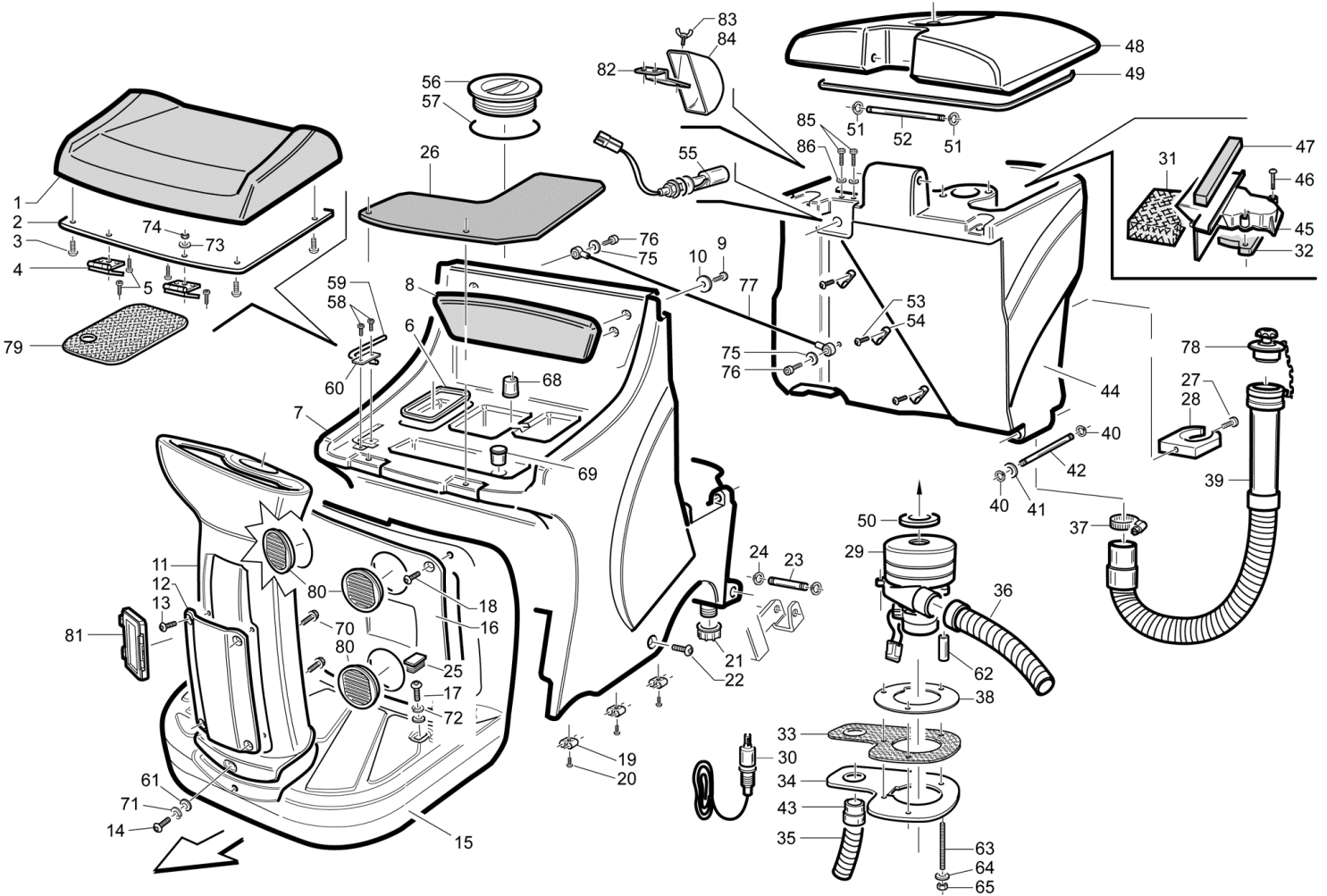
Ref.	K	Part N.	Customer Part N.	Description	Qty	Validity:		Price
						From	To	
0031		VTVT77509		SCREW TE 8X60 UNI5739	2,00		03/2015	--
0032		LAFN06368		CONVEYOR ACQUA	1,00			--
0033		VTDD01694		NUT M6 INOX	4,00			--
0034		VTVT15143		SCREW TE 6X16 UNI5739	4,00			--
0035		VTVT15143		SCREW TE 6X16 UNI5739	8,00			--
0036		VTVT13937		SCREW TE M 8X 30 INX UNI 5739	4,00			--
0037		VTRS13947		WASHER D. 8 INX UNI 6592	16,00			--
0038		LAFN04151		BUSHING X PARALLELOGRAMMA	8,00			--
0039		VTDD15521		NUT M 8 INX A2 UNI 5588	4,00			--
0040		LAFN06370		LEVER PARALLELOGRAMMA	4,00			--
0041		VTVT01684		SCREW TE 6X45	2,00	03/2013		--
0041		VTVT15142		SCREW TE M 6x45 INOX	2,00		03/2013	--
0042		VTDD15518		NUT M 6 INX	1,00			--
0043		LAFN05781		ARM ATTUATORE	1,00		03/2009	--
0043		LAFN07636		ARM -	1,00	03/2009		--
0044		VTAE13511		CIRCLIP D. 10 UNI 7435	2,00			--
0045		LAFN51065		PIN INFER.ATTUAT.TEST.	1,00			--
0046		VTVT13937		SCREW TE M 8X 30 INX UNI 5739	2,00			--
0047		VTRS13947		WASHER D. 8 INX UNI 6592	8,00			--
0048		VTDD01696		NUT M 8 INX	4,00			--
0049		VTRS13947		WASHER D. 8 INX UNI 6592	8,00			--
0050		VTVT13937		SCREW TE M 8X 30 INX UNI 5739	2,00			--
0051		LAFN06383		ARM TESTATA	1,00			--
0052		VTRS13947		WASHER D. 8 INX UNI 6592	2,00			--
0053		VTDD01694		NUT M6 INOX	2,00			--
0054		VTDD15521		NUT M 8 INX A2 UNI 5588	1,00			--
0055		VTRS13946		WASHER D. 8 X24 INX UNI 6593	2,00			--
0056		VTVT00410		SCREW TE M8x35 UNI5739 INOX	1,00			--
0057		MOC00323		ATUATOR BRUSH HEAD CT110	1,00			--
0058		TBFX48011		TUBE FLEX D.12X3 ARMORV.PVC TR	0,18			--
0059		RCVR45752		HOSE FITTING "L" 3/8M - D.10 PLS.	1,00			--
0060		MEEV00018		SOLENOID VALVE	1,00		10/2011	--
0061		GUGO00268		GASKET D.21 SP.3 GOMMA	1,00		10/2011	--
0062		RCVR00353		CAP 1/2"G X ELETTROV. ACL	1,00		10/2011	--
0063		LAFN05835		BRACKET PORTAELETTROVALVOLA	1,00			--
0064		VTVT15906		SCREW TE 6X 12 A2 UNI 5739	1,00			--
0065		VTRS13946		WASHER D. 8 X24 INX UNI 6593	2,00			--
0066		VTDD15518		NUT M 6 INX	1,00			--
0067		VTDD15925		NUT M 4 INX	2,00			--



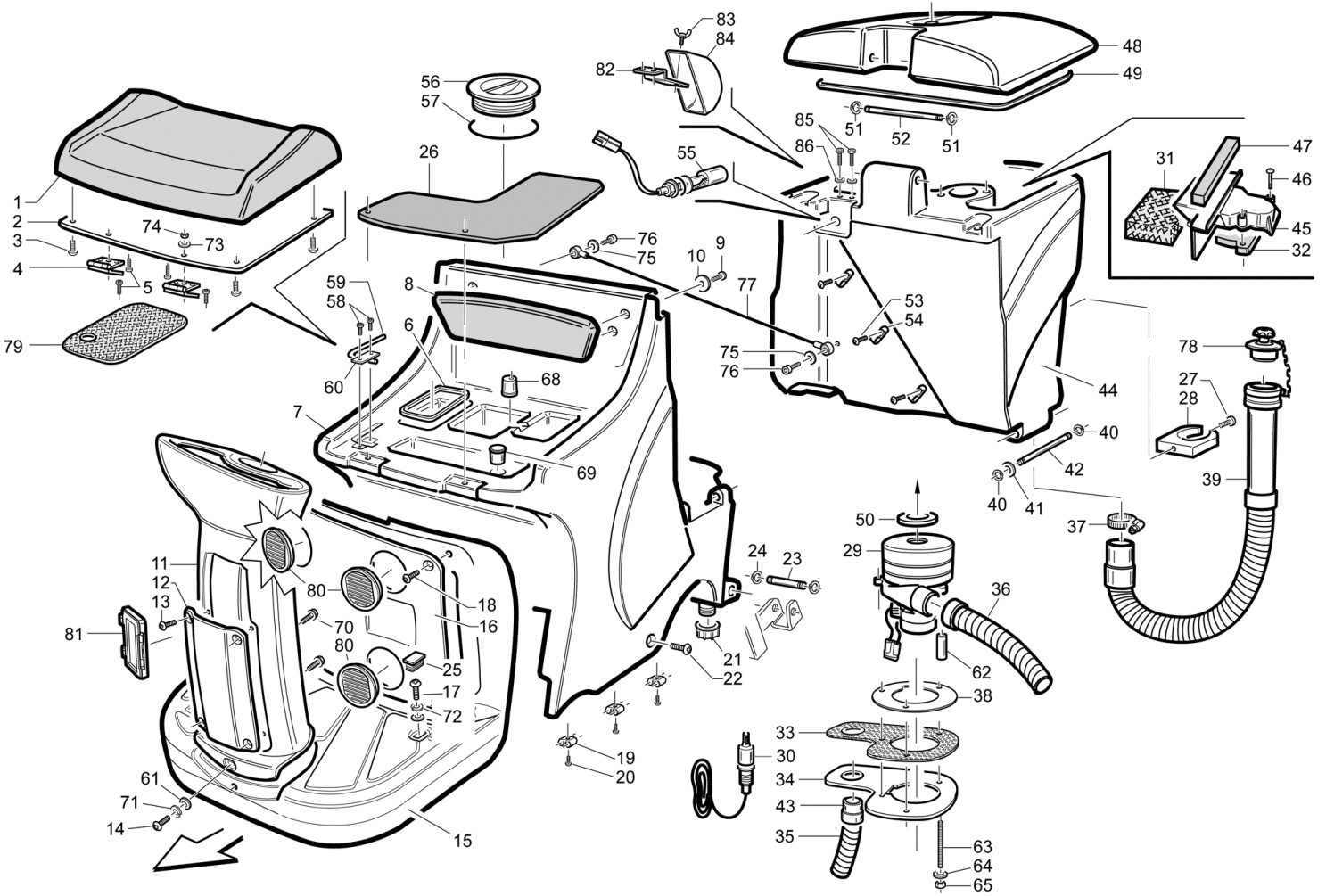
Ref.	K	Part N.	Customer Part N.	Description	Qty	Validity:	From	To	Price
0068		VTDD01694		NUT M6 INOX	2,00				--
0069		VTVT00817		SCREW TE M4x12 UNI 5739 INOX	2,00				--
0070		GUGO36290		O-RING D. 17.04 X 3.53 NBR 70SH	2,00				--
0071		GUGO00427		GASKET -	1,00				--
0072		RCVR00540		CONNECTOR	1,00				--
0073		FTAC00038		FILTER G1/2 INOX	1,00				--
0074		VTVT00699		SCREW TE M. 6-70	2,00				--
0075		VTRS13945		WASHER D. 6X18 INX UNI 6593	2,00				--
0076		RCGR00078		TAP -	1,00				--
0077		RCVR00744		CONNECTOR -	1,00				--
0078		TBFX48011		TUBE FLEX D.12X3 ARMORV.PVC TR	0,45				--
0079		MPVR05240		RING NUT G1/2	1,00				--
0080		MPVR05312		ROD M12	4,00	04/2011			--
0080		VTRS05905		WASHER ZIGRINATA	4,00			04/2011	--
0081		RCVR00109		CURVE 90°	1,00				--
0082		LAFN06366		SHEET METAL PA.FLAP	1,00			11/2008	--
0082		LAFN07081		FLANGE -	1,00	11/2008			--
0083		MPVR05223		FLAP SX	1,00				--
0084		VTRS15978		WASHER D.12X24 UNI 6592 INX	2,00				--
0085		VTDD15521		NUT M 8 INX A2 UNI 5588	2,00				--
0086		VTRS13945		WASHER D. 6X18 INX UNI 6593	8,00				--
0087		VTRS15144		WASHER D. 6 INX GRW UNI 1751	8,00				--
0088		VTRS15146		WASHER D. 8 INX GRW UNI 1751	2,00				--
0089		LAFN07360		SUPPORT PARACOLPI 700	1,00				--
0090		MPVR05461		KNOB -	4,00	09/2008			--
0091		GUVR00311		GASKET FTAC00038	1,00				--
0093		MEEV00044		SOLENOID VALVE	1,00	10/2011			--
0094		MEEV00044		SOLENOID VALVE	1,00	10/2011			--



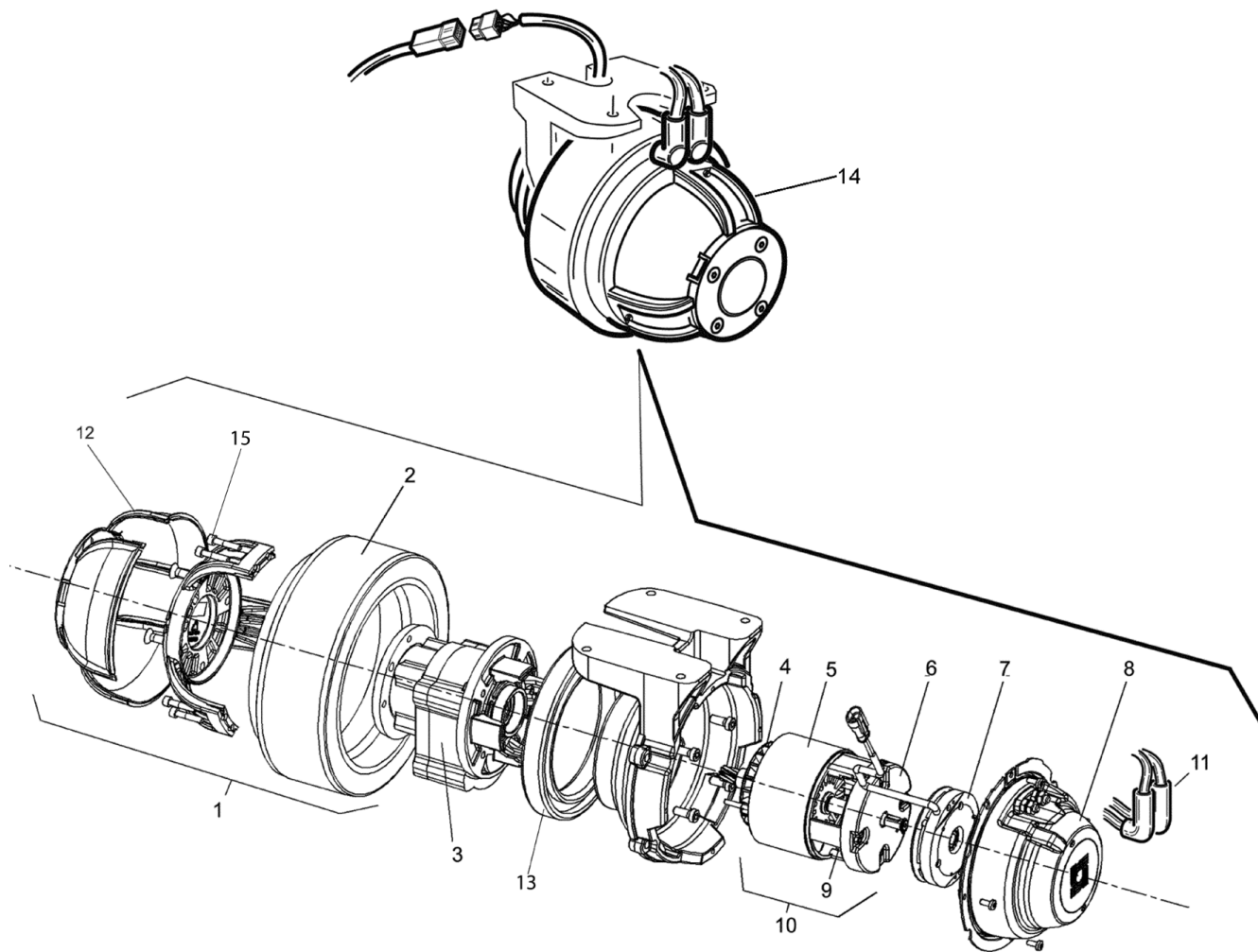
Ref.	K	Part N.	Customer Part N.	Description	Qty	Validity:		Price
						From	To	
0001		SESD00021		SEAT	1,00			--
0002		LAFN06430		PLATE CT110	1,00			--
0003		VTVT15143		SCREW TE 6X16 UNI5739	4,00			--
0004		CEVR00060		HINGE PORTA SEDILE P185	2,00			--
0005		VTVT01317		SCREW M 5X 12 TSPEI UNI 5933	4,00			--
0006		GUVR00284		GASKET CT110	1,00			--
0007		MPVR05692		TANK CT110	1,00			--
0008		SESD00020		SHEET METAL PA.CLEANTIME	1,00			--
0009		VTVT00433		SCREW TE M 6X 30 UNI 5739 INX	2,00			--
0010		VTRS13945		WASHER D. 6X18 INX UNI 6593	4,00			--
0011		MPVR05694		SIDE PANEL CT110	1,00			--
0012		MPVR05205		COVER SCHEDA POTENZA	1,00	11/2009		--
0012		MPVR05693		COVER SCHEDA POTENZA	1,00		11/2009	--
0013		VTVT00005		SCREW TE FR 5X12 ZB	4,00			--
0014		VTVT15142		SCREW TE M 6x45 INOX	1,00			--
0015		MPVR05691		PLANE CT110	1,00			--
0016		MPVR05206		COVER PANNELLO ELETTRONICA	1,00			--
0017		VTVT00433		SCREW TE M 6X 30 UNI 5739 INX	2,00			--
0018		VTVT00005		SCREW TE FR 5X12 ZB	4,00			--
0019		FSVR00243		CLAMP 20/30	3,00			--
0020		VTVT37012		SCREW M 4X 10 TCB-TC INX	3,00			--
0021		KTRI03463	KTRI03463	CAP SCARICO SERBATOIO SOLUZ.	1,00		10/2011	--
0021		MPVR07073		CAP SOLUTION TANK CT110	1,00	11/2011		--
0022		VTVT00005		SCREW TE FR 5X12 ZB	1,00			--
0023		LAFN06433		PIN ROTAZIONE	2,00			--
0024		VTAE06761		CIRCLIP D. 18 UNI 7435	4,00			--
0025		MPVR05314		CAP STR35X25	2,00			--
0026		MPVR05315		ROD CT110	1,00			--
0027		VTVT15924		SCREW M 4X 16 TCB-TC UNI 7687	1,00			--
0028		MPVR05252		CLIP D.60	1,00			--
0029		MEVR05200		CARBON MOTORE ASP.AMET.116599-13	1,00			--
0029		MOCC00273		MOTOR 3 ST.24V 116598-13	1,00			--
0030		MECI00533		SENSOR VS303-51N	1,00			--
0031		FTDP00133		FILTER	1,00			--
0032		GUGO00417		GASKET SCATOLA ASPIRAZIONE	1,00			--
0033		MPVR05103		SOUND-PROOFING ASPIRATORE	1,00			--
0034		LAFN06363		FLANGE ASPIRATORE	1,00			--
0035		TBFX00244		TUBE D 34 L200MM	1,00			--
0036		TBFX00244		TUBE D 34 L200MM	1,00			--



Ref.	K	Part N.	Customer Part N.	Description	Qty	Validity:		Price
						From	To	
0037		FSVR00033		CLAMP 45-60	1,00			--
0038		MPVR04724		FLANGE IN NYLON	1,00			--
0039		TBBP00401		TUBE ACQUA SPORCA	1,00		03/2013	--
0039		TBFX00362		TUBE PU	1,00	03/2013		--
0040		VTAE14096		CIRCLIP D. 8 UNI 7435	2,00			--
0041		VTRS13947		WASHER D. 8 INX UNI 6592	1,00			--
0042		LAFN06434		PIN ROTAZIONE	1,00			--
0043		MPVR31077		BUSHING L.450	1,00			--
0044		MPVR05696		TANK CT110	1,00			--
0045		MPVR05482		BOX -	1,00			--
0046		VTVT01325		SCREW TCEI 5X35 INOX UNI5931	2,00			--
0047		GUGO00418		GASKET CONDOTTO ASPIRAZIONE	1,00			--
0048		MPVR05695		COVER CT110	1,00			--
0049		GUVR00272		GASKET CT110	1,00			--
0050		GUGO00272		GASKET VACUUM MOTOR CT	1,00			--
0051		VTVR00536		SEEGER 8	2,00			--
0052		LAFN06509		PIN ROTAZIONE	1,00			--
0053		VTVT37012		SCREW M 4X 10 TCB-TC INX	3,00			--
0054		MPVR02933		DUCT LOCK D.9,5	3,00			--
0055		MECI00516		SENSOR DI LIVELLO ORIZZONTALE	1,00			--
0056		MPVR05212		CAP -	1,00		06/2009	--
0057		GUVR00287		GASKET CT110	1,00		06/2009	--
0058		VTVT00849		SCREW M 4X 10 TSPEI INX U.5933	2,00			--
0059		LAFN06431		ROD CT110	1,00			--
0060		LAFN06432		PLATE CT110	1,00			--
0061		VTRS13945		WASHER D. 6X18 INX UNI 6593	1,00			--
0062		LAFN51077		SPACER PH	3,00			--
0063		VTVT00785		ROD FILETTO	3,00			--
0064		VTRS13945		WASHER D. 6X18 INX UNI 6593	3,00			--
0065		VTDD15518		NUT M 6 INX	3,00			--
0068		MPVR05273		CAP CT110	1,00			--
0069		MPVR05272		CAP CT110	1,00			--
0070		VTVT62920		SCREW TE F/ROND. M 6X 16 ZB	4,00			--
0071		VTRS15144		WASHER D. 6 INX GRW UNI 1751	1,00			--
0072		VTRS15144		WASHER D. 6 INX GRW UNI 1751	2,00			--
0073		VTRS00502		WASHER D. 5 0.466 UNI 6592	2,00			--
0074		VTDD15517		NUT M 5 INX	2,00			--
0075		VTRS13947		WASHER D. 8 INX UNI 6592	4,00			--
0076		VTVT13938		SCREW TE 8X20 UNI5739 INX	2,00			--



Ref.	K	Part N.	Customer Part N.	Description	Qty	Validity:		Price
						From	To	
0077		CMCV00427		CABLE CT 110	1,00			--
0078		MPVR05380		CAP CT110	1,00			--
0079		GUGO00313		MOUSSE CT110	1,00			--
0080		LAFN02931		BRACKET FAN COOLER	2,00			--
0081		MEVR00232		DOOR TO REMOVE AND RESET FUSE	1,00			--
0082		LAFN07737		BRACKET -	1,00			--
0083		VTVT01150		SCREW 4x10	1,00			--
0084		MPVR05596		PROTECTION -	1,00			--
0085		VTVT15961		SCREW M 5X 16 TCB TC UNI 7687	2,00			--
0086		VTRS15908		WASHER D. 5 INX GRW UNI 1751	2,00			--



Ref.	K	Part N.	Customer Part N.	Description	Qty	Validity:		Price
						From	To	
0001		RTRT00533		RING MOTORWHEEL	1,00			--
0002		RTRT00533		RING MOTORWHEEL	1,00			--
0003		RDGR00040		REDUCTION UNIT CT110	1,00			--
0006		MEVR02084		CAP CT110	1,00			--
0007		MEVR02030		BRAKE -	1,00			--
0008		MPVR06031		COWLING MOTORUOTA	1,00			--
0009		MEVR00985		BRUSHES CT110	4,00			--
0010		MOCC00399		MOTOR MP80	1,00			--
0011		MEVR00889		PIPETTE	2,00			--
0012		MPVR08044		COVER -	1,00			--
0013		CUVR00194		BEARING 61926 2RS	1,00			--
0014		KTRI02209		KIT CT110	1,00			--
0015		VTVT16676		SCREW M6X60 A2 UNI5931	4,00			--