

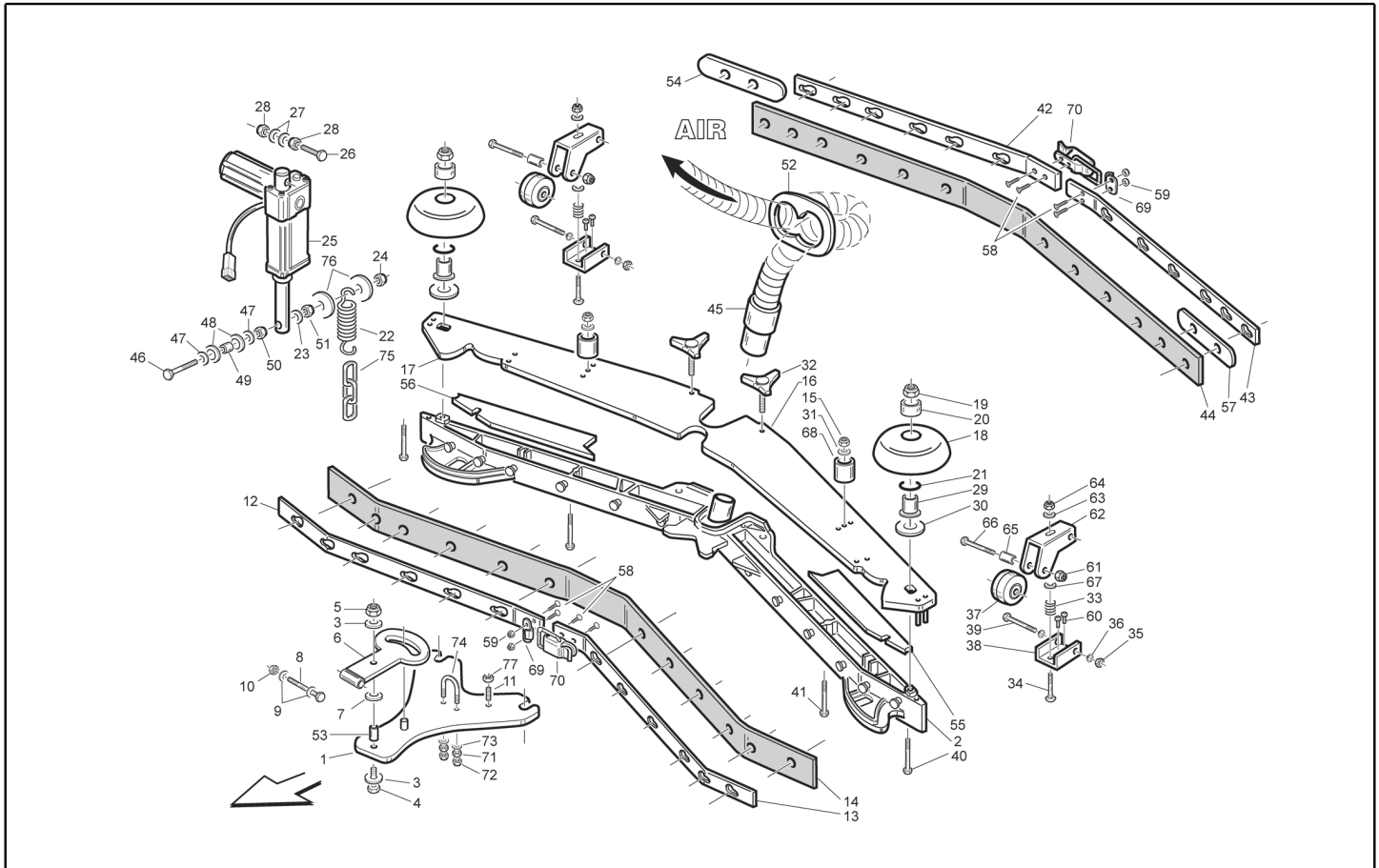


IPC

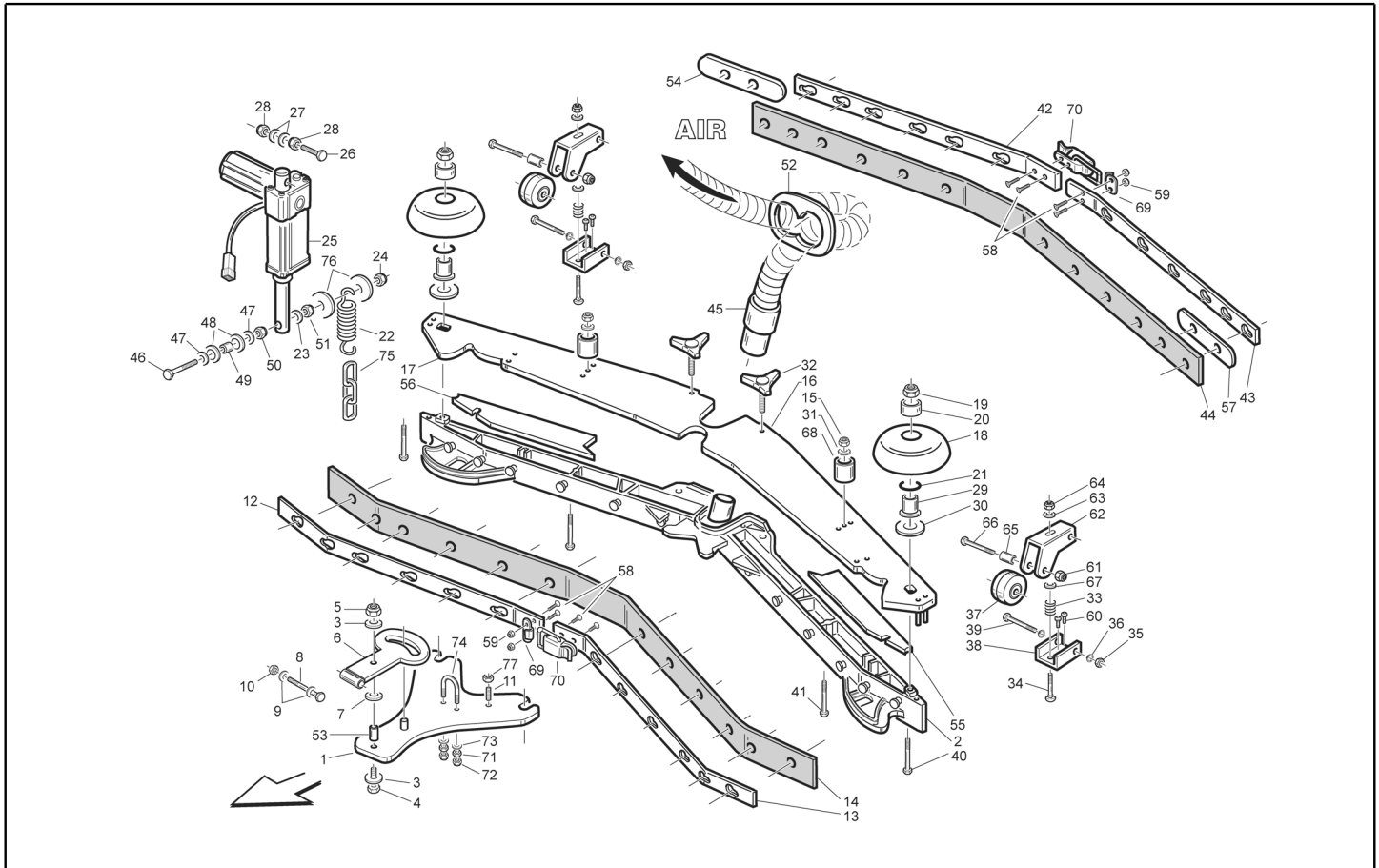
Spare parts list

Ref: LPTB02706

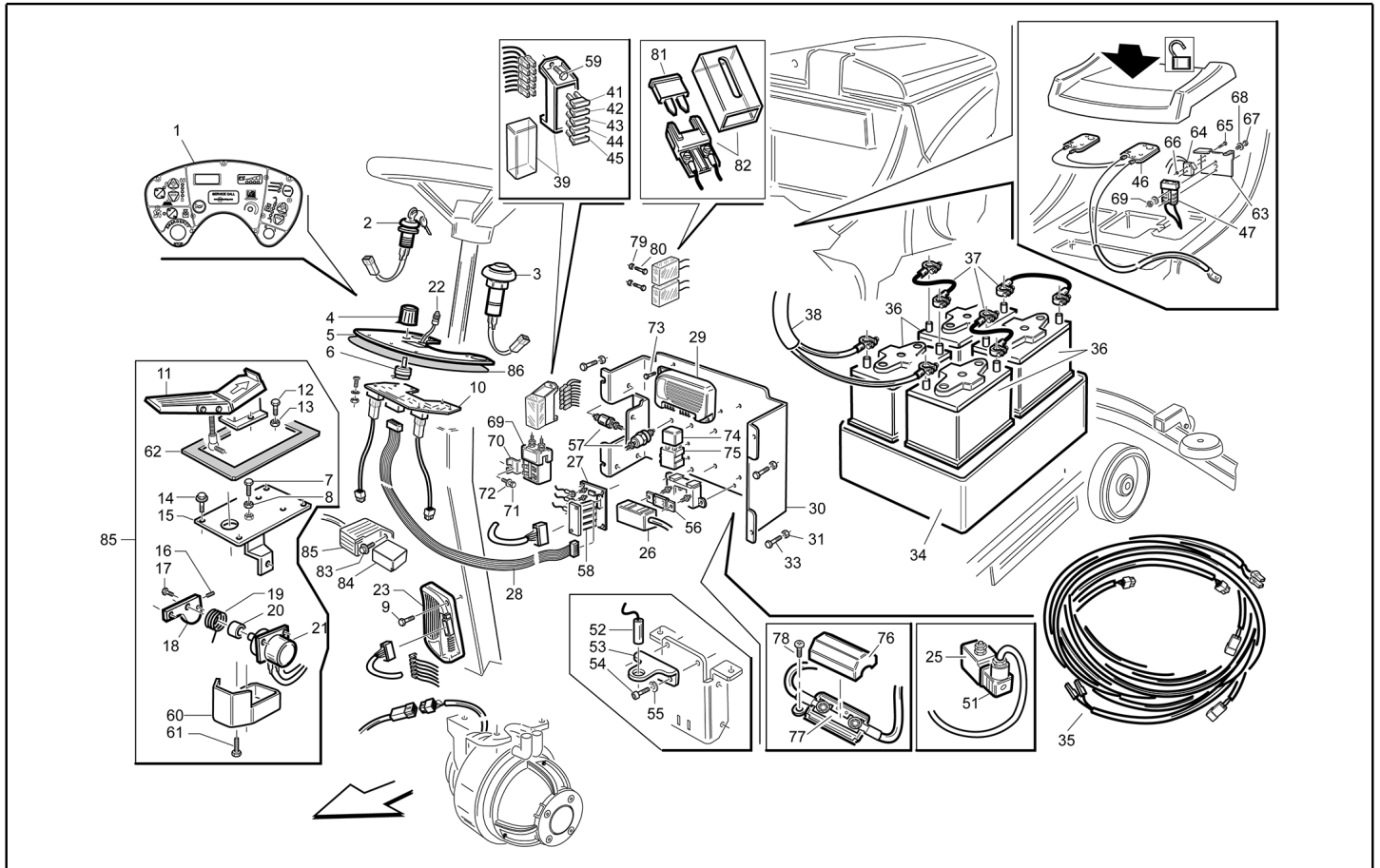
Model: FLOOR WASHER CT110 BT85 ECS GR/VE USA



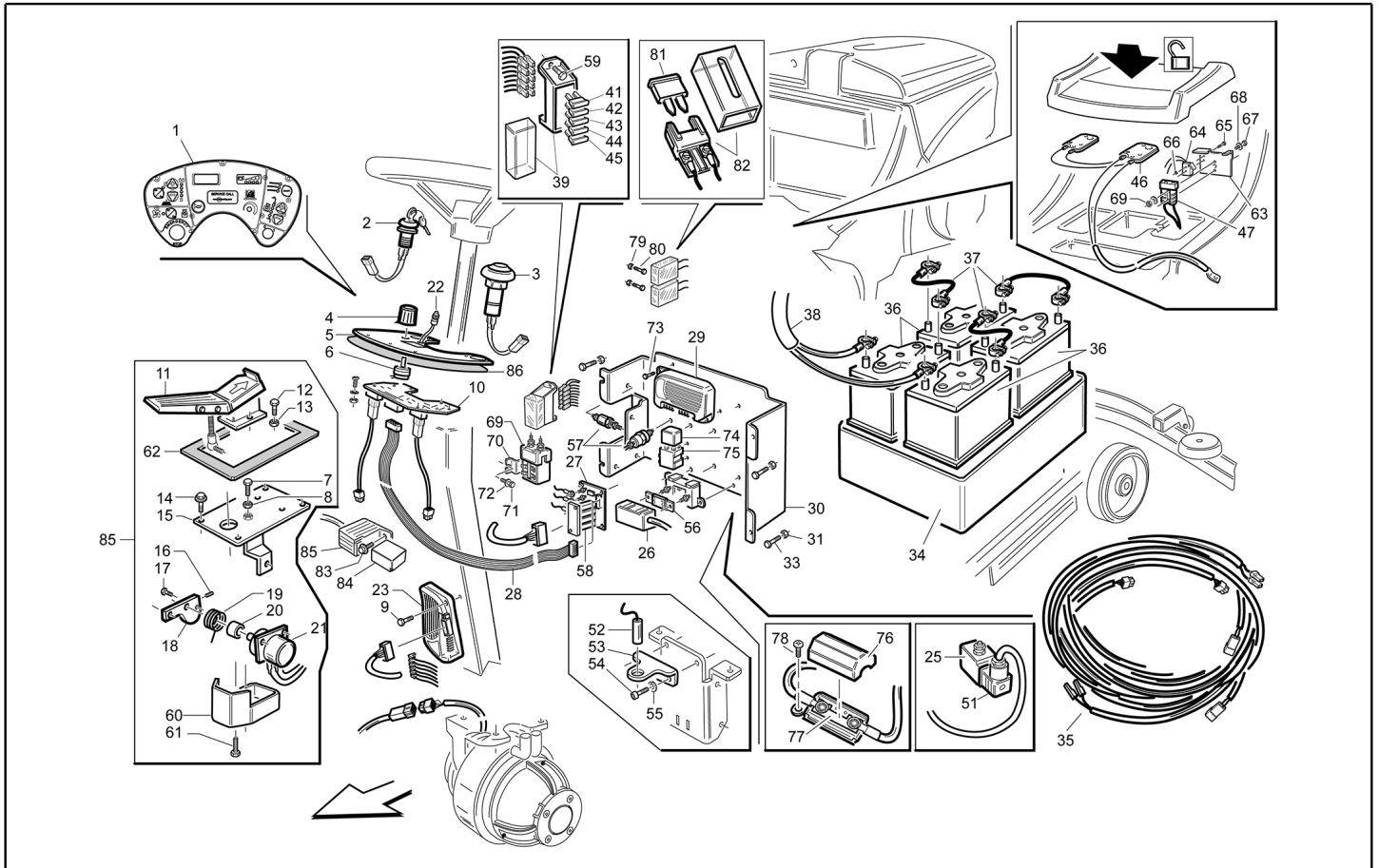
Ref. K	Part n.	Customer part n.	Description	Quantity	Validity		Price
					From	To	
0001	LAFN07536		PLATE -	1,00		09/04/2014	--
0001	LAFN09241		PLATE -	1,00	10/04/2014		--
0002	KTRI02050		EXTRA LARGE SQUEEGEE BODY	1,00			--
0003	VTRS13946	SL06025	WASHER D. 8 X24 INX UNI 6593	1,00			--
0004	VTVT00410	SL04127	SCREW TE M8x35 UNI5739 INOX	1,00			--
0005	VTDD01695	SL05039	NUT M 8 INX	1,00			--
0006	LAFN09010		SUPPORT -	1,00			--
0007	VTRS15978		WASHER D.12X24 UNI 6592 INX	1,00			--
0008	VTVT00757	SL04229	SCREW	1,00			--
0009	VTRS13947	75373	WASHER D. 8 INX UNI 6592	2,00			--
0010	VTDD01695	SL05039	NUT M 8 INX	1,00			--
0011	VTVT01145			1,00			--
0012	LAFN08956		BRACKET -	1,00		30/10/2013	--
0012	LAFN09288		BLADE HOLDER FRONT RIGHT XL	1,00	31/10/2013		--
0013	LAFN08957		BRACKET -	1,00		30/10/2013	--
0013	LAFN09289		BLADE HOLDER FRONT LEFT XL	1,00	31/10/2013		--
0014	MPVR05808		RUBBER FRONT SQUEEGEE XL PU	1,00		25/07/2013	--
0014	MPVR08041		BLADE XL LATEX	1,00	26/07/2013		--
0015	VTDD01694	SL05074	NUT M6 INOX	4,00			--
0016	LAFN09016		PLATE -	1,00			--
0017	LAFN09151		PLATE -	1,00			--
0018	MPVR05290		ROLLER SIDE BUMPER WHEEL	2,00			--
0019	VTDD01694	SL05074	NUT M6 INOX	2,00			--
0020	MPVR49229	SL17608	BUSHING SHK	2,00			--
0021	GUGO00164	SL03199	GASKET	2,00			--
0022	CMCV00445		CABLE LIFTING SQUEEGEE CT110	1,00		09/04/2014	--
0022	MLML00342		SPRING -	1,00	10/04/2014		--
0023	VTRS15144	11051232	WASHER D. 6 INX GRW UNI 1751	2,00			--
0024	VTDD01694	SL05074	NUT M6 INOX	2,00			--
0025	MOCC00322		ATUATOR SQUEEGEE CT110	1,00			--
0026	VTVT15917	SL04143	SCREW TE M 8X50 INOX A2 UNI	1,00			--
0027	VTRS13947	75373	WASHER D. 8 INX UNI 6592	2,00			--
0028	VTDD01695	SL05039	NUT M 8 INX	2,00			--
0029	LAFN04100	SL07596	SPACER PER RUOTINO PARACOLPI	2,00			--
0030	VTRS16937	11051241	WASHER 6x24 INOX UNI 6593	2,00			--
0031	VTRS00245	SL06022	WASHER D.6 UNI 6592 INOX	2,00			--
0032	MPVR06004		KNOB AISI 304	2,00			--
0033	MLML49422	SL13103	SPRING D.15X 45 X1	2,00			--
0034	VTVT01304		SCREW M 8X 40 TTQST UNI 5731	2,00			--
0035	VTDD01694	SL05074	NUT M6 INOX	2,00			--
0036	VTAE45707	1105407	Snap Ring	4,00			--
0037	RTRT00540		WHEEL D.8x32	2,00			--
0038	LAFN51069		BRACKET SUPP.RUOTINO SQUEEGEE	2,00			--
0039	VTVT15515	SL04261	SCREW TE M 6X 50 INOX A2	2,00			--



Ref. K	Part n.	Customer part n.	Description	Quantity	Validity		Price
					From	To	
0040	VTVT00841	SL04354	SCREW TE M 6X65 UNI 5739 INX	2,00			--
0041	VTVT00699	SL04140	SCREW TE M. 6-70	2,00		17/05/2017	--
0041	VTVT00841	SL04354	SCREW TE M 6X65 UNI 5739 INX	2,00	18/05/2017		--
0042	LAFN08958		BRACKET -	1,00		30/10/2013	--
0042	LAFN09290		BLADE HOLDER REAR RIGHT XL	1,00	31/10/2013		--
0043	LAFN08959		BRACKET -	1,00		30/10/2013	--
0043	LAFN09291		BLADE HOLDER REAR LEFT XL	1,00	31/10/2013		--
0044	MPVR05810		RUBBER REAR SQUEEGEE XL PU	1,00		25/07/2013	--
0044	MPVR08037		BLADE XL LATEX	1,00	26/07/2013		--
0045	KTRI04699		KIT REPLACEMENT TBBP00402	1,00			--
0046	VTVT17342	SL04058	SCREW TE M 6X 60 UNI 5739 INX	1,00			--
0047	VTRS07728	75371	WASHER D. 6 INX	3,00			--
0048	VTRS13947	75373	WASHER D. 8 INX UNI 6592	2,00			--
0049	LAFN03840	SL07318	BUSHING	1,00			--
0050	VTDD15518	75375	NUT M 6 INX	1,00			--
0051	VTDD15518	75375	NUT M 6 INX	1,00			--
0052	MPVR04659		FLANGE	1,00			--
0053	LAFN35608	SL07176	SPACER S. BLOCK BT 530	1,00			--
0054	MPVR05898		CLOSURE L	1,00			--
0055	GUVR00304		GASKET -	1,00			--
0056	GUVR00305		GASKET -	1,00			--
0057	MPVR05898		CLOSURE L	1,00			--
0058	VTVT01070		SCREW TSTC M3X8	8,00			--
0059	VTDD00210		NUT M 3 AUTOBL.DIN 985 IX.A2	8,00			--
0060	VTVR01040		RIVET -	4,00			--
0061	VTDD01694	SL05074	NUT M6 INOX	2,00			--
0062	LAFN05559	SL39033	SUPPORT RUOTINO	2,00			--
0063	VTRS13947	75373	WASHER D. 8 INX UNI 6592	2,00			--
0064	VTDD01695	SL05039	NUT M 8 INX	2,00			--
0065	TBBP00124	MP19107	TUBE D 8/6	0,02			--
0066	VTVT15515	SL04261	SCREW TE M 6X 50 INOX A2	2,00			--
0067	VTRS13947	75373	WASHER D. 8 INX UNI 6592	2,00			--
0068	MPVR06016		BRACKET -	2,00			--
0069	LAFN09301		SOCKET -	2,00			--
0070	LAFN09302		CLOSURE -	2,00			--
0071	VTDD15520	SL05017	NUT M 6 A2 UNI 5588 INX	2,00	10/04/2014		--
0072	VTDD01694	SL05074	NUT M6 INOX	2,00	10/04/2014		--
0073	VTRS00245	SL06022	WASHER D.6 UNI 6592 INOX	2,00	10/04/2014		--
0074	LAFN09231		BRACKET M6X11X29	1,00	10/04/2014		--
0075	MTCR00029	70311	SMALL CHAIN	0,02	10/04/2014		--
0076	VTRS13945	SL06039	WASHER D. 6X18 INX UNI 6593	2,00	10/04/2014		--
0077	VTDD15521	05518	NUT M 8 INX A2 UNI 5588	1,00	10/04/2014		--



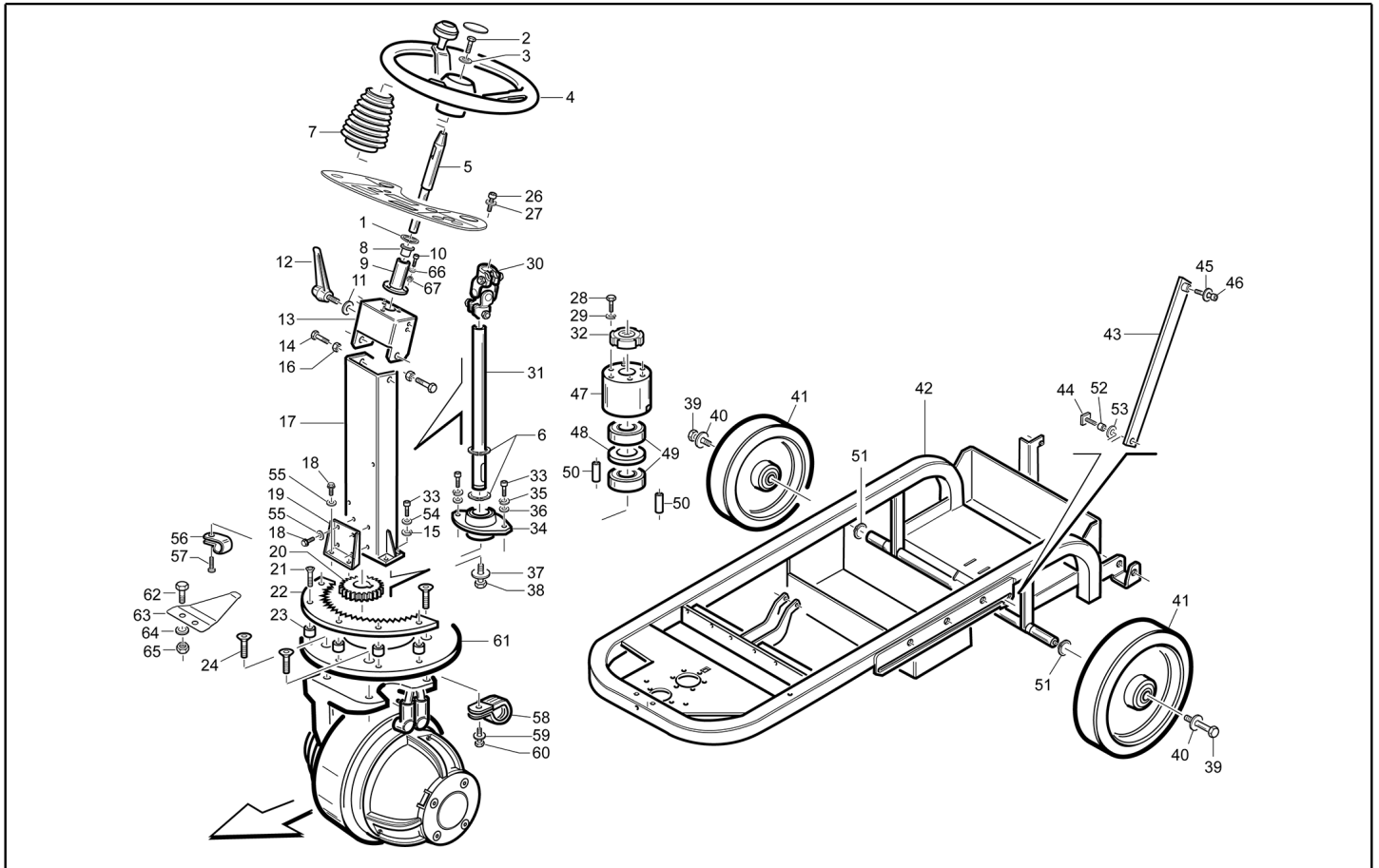
Ref. K	Part n.	Customer part n.	Description	Quantity	Validity		Price
					From	To	
0001	ETET01650		LABEL PLANCIA COMANDI	1,00			--
0002	MECI75805	13801001	SWITCH A CHIAVE X MOTORI BATTER.	1,00			--
0003	MECI00028	13801009A	BUTTON DI EMERGENZA TK1400 24V	1,00			--
0004	KTRIO1935		KIT 1050-1202	1,00			--
0005	LAFN06408		PLATE -	1,00			--
0006	MEVR01941		POTENTIOMETER 100K	1,00			--
0007	VTVT13937	11051230	SCREW TE M 8X 30 INX UNI 5739	1,00			--
0008	VTDD01696		NUT M 8 INX	1,00			--
0009	VTVT00727	SL04189	SCREW TE M. 4-20	2,00			--
0010	MECE00509		BOARD CT110-MF	1,00			--
0011	LAFN06429		PEDALE CT110	1,00			--
0012	VTVT15143	SL04135	SCREW TE 6X16 UNI5739	2,00			--
0013	VTDD15518	75375	NUT M 6 INX	2,00			--
0014	VTVT00005	1105023	SCREW TE FR 5X12 ZB	4,00			--
0015	LAFN06521		SUPPORT ACCELERATORE	1,00			--
0016	VTVT00911	SL11054	GRUB SCREW M4X8	1,00			--
0017	VTVT00727	SL04189	SCREW TE M. 4-20	2,00			--
0018	LAFN06371		CONNECTING ROD POTENZIOMETRO	1,00			--
0019	MLML00301		SPRING ACCELERATORE	1,00		20/04/2010	--
0019	MLML00327		SPRING -	1,00	21/04/2010		--
0020	MPVR05236		BUSHING -	1,00		20/04/2010	--
0020	MPVR05786		BUSHING	1,00	21/04/2010		--
0021	MEVR01700		POTENTIOMETER 0-5K	1,00			--
0022	MEVR02058		LED -	1,00			--
0023	MECE00450		BOARD TRACTION CURTIS CT110	1,00			--
0024	MOCC00374		MOTOR -	1,00			--
0024	MEVR01746		CARBON X MOT.COD.MOCC00374	4,00			--
0024	RTRT00533		RING MOTORWHEEL	1,00			--
0024	MEVR02030		BRAKE -	1,00			--
0025	MEEV00018	SL18414	SOLENOID VALVE	1,00		06/10/2011	--
0025	MEEV00044		SOLENOID VALVE	1,00	07/10/2011		--
0026	MEVR00146	1380151	FUSE-HOLDER MEGA	1,00			--
0027	MECE00510		BOARD CT110-MF	1,00			--
0028	MECB01099		CABLE FLAT	1,00			--
0029	MECE00511		BOARD CT110-MF	1,00			--
0030	LAFN06503		PLATE ELETTRONICA	1,00			--
0032	VTVT00005	1105023	SCREW TE FR 5X12 ZB	8,00			--
0033	VTVT00005	1105023	SCREW TE FR 5X12 ZB	4,00			--
0034	MPVR05217		CONTAINER BATTERIA	1,00			--
0035	MECB01015		WIRING CT110	1,00			--
0036	BAAC00106		BATTERY 6V 180Ah/C5 GEL IPC	4,00			--
0037	MEVR34820	SL23838	WIRING BATTERY BRIDGE W/TERMINAL	3,00			--
0038	MECB01015		WIRING CT110	1,00			--
0039	KTRIO2222		KIT CT110	1,00			--



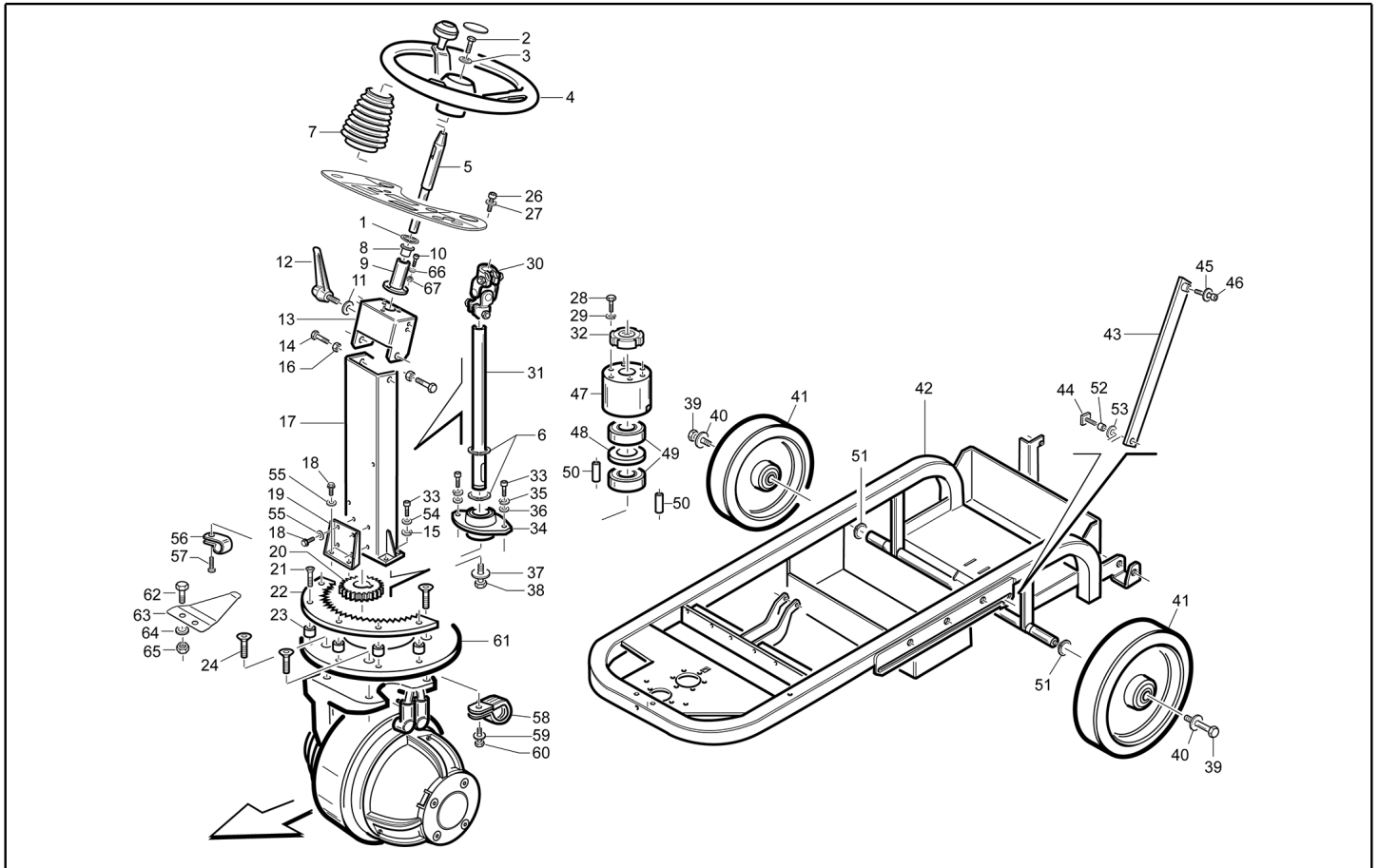
Ref. K	Part n.	Customer part n.	Description	Quantity	Validity		Price
					From	To	
0040	MEVR01136	SL23148	FUSE 30A	1,00		09/10/2011	--
0041	MEVR01136	SL23148	FUSE 30A	1,00		09/10/2011	--
0041	MEVR01428	SL53040	FUSE A LAMA 2 A. UNIVAL	1,00	10/10/2011		--
0042	MEVR00327	06907	FUSE 25A	1,00			--
0043	MEVR00584	70237	FUSE 3A	1,00			--
0044	MEVR00584	70237	FUSE 3A	1,00			--
0045	MEVR00584	70237	FUSE 3A	1,00			--
0046	MEVR00148	1180066	SWITCH SEAT SENSOR	1,00			--
0047	MEVR01079	SL23010K	PLUG M CB50 A 600V RD.	1,00			--
0051	MECB01015		WIRING CT110	1,00			--
0052	MECI00535		SENSOR -	1,00			--
0053	LAFN06386		SUPPORT -	1,00			--
0054	VTVT15143	SL04135	SCREW TE 6X16 UNI5739	2,00			--
0055	VTRS15144	11051232	WASHER D. 6 INX GRW UNI 1751	2,00			--
0056	MEVR00145	1380150	FUSE 100A	1,00			--
0057	MEVR47082	1380091	INSULATOR MM35 M6 CH 32	1,00			--
0058	MECE00456		RELAY CT110	4,00			--
0059	VTVT00005	1105023	SCREW TE FR 5X12 ZB	2,00			--
0060	MPVR05235		COVER -	1,00			--
0061	VTVT00005	1105023	SCREW TE FR 5X12 ZB	2,00			--
0062	GUVR00292		GASKET CT110	1,00			--
0063	LAFN07362		PLATE ANDERSON	1,00			--
0064	MECI00334	SL53031-L	MICROSWITCH CHARGING PLUG	1,00			--
0065	VTVT00671	SL04086	SCREW TC- M.2-16 OTTONE	2,00			--
0066	VTDD08634	SL05031	NUT M2	2,00			--
0067	VTVT01350		SCREW M3-20 INOX	2,00			--
0068	VTRS21116	SL06009	WASHER D. 3 INX	2,00			--
0069	MECI00532		CONTACTOR 24V-100A	1,00			--
0070	LAFN07743		BRACKET -	1,00			--
0071	VTVT01669			2,00			--
0072	VTRS00501	05109	WASHER D. 4 0.232 UNI 6592	2,00			--
0073	VTVT00005	1105023	SCREW TE FR 5X12 ZB	2,00			--
0074	MECE00139	70194	RELAY 24V 70A	1,00			--
0075	METT00053	SL23722	BLOCK PORTA RELE'	1,00			--
0076	MEVR31036		FUSE-HOLDER	1,00			--
0077	MEVR02042		FUSE 30A NST.	1,00			--
0078	VTVT00079	1105756	SCREW AUTOF.TC UNI6954 3,9X22	1,00			--
0079	VTDD01693	SL05087	NUT M 5 INX	2,00	10/10/2011		--
0080	VTVT01300		SCREW TE M5X12 INOX	2,00	10/10/2011		--
0081	MEVR02048		FUSE 40A	2,00	10/10/2011		--
0082	MEVR00613	70354	FUSE CARRIER MAXIVAL with cover	2,00	10/10/2011		--
0084	MECE00456		RELAY CT110	1,00			--
0085	KTRI01585		ACCELERATOR PEDAL ASSEMBLY	1,00			--
0086	GUVR00286		GASKET CT110	1,00			--

Table: TRACTION MOTOR

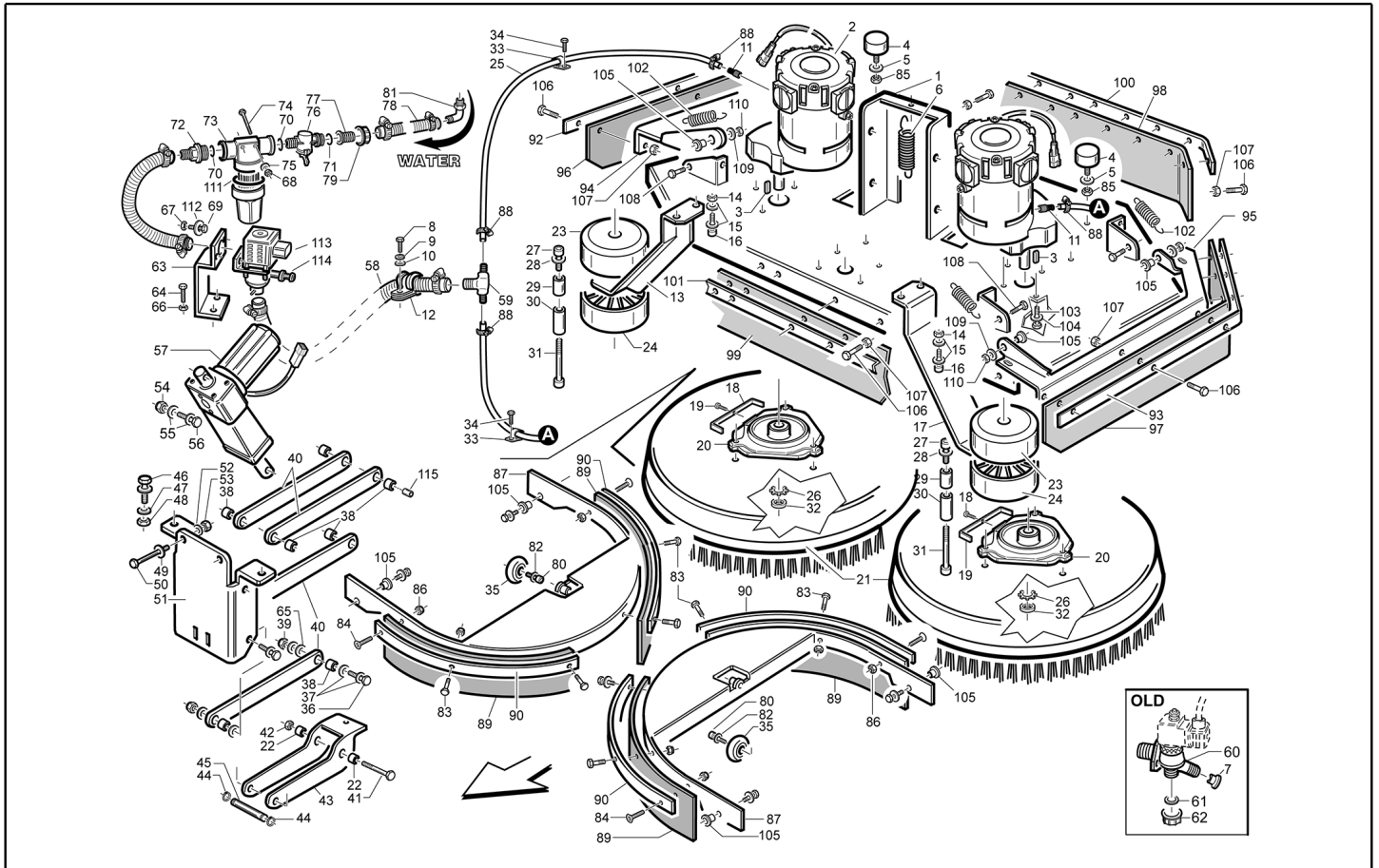
Progressive number: 1



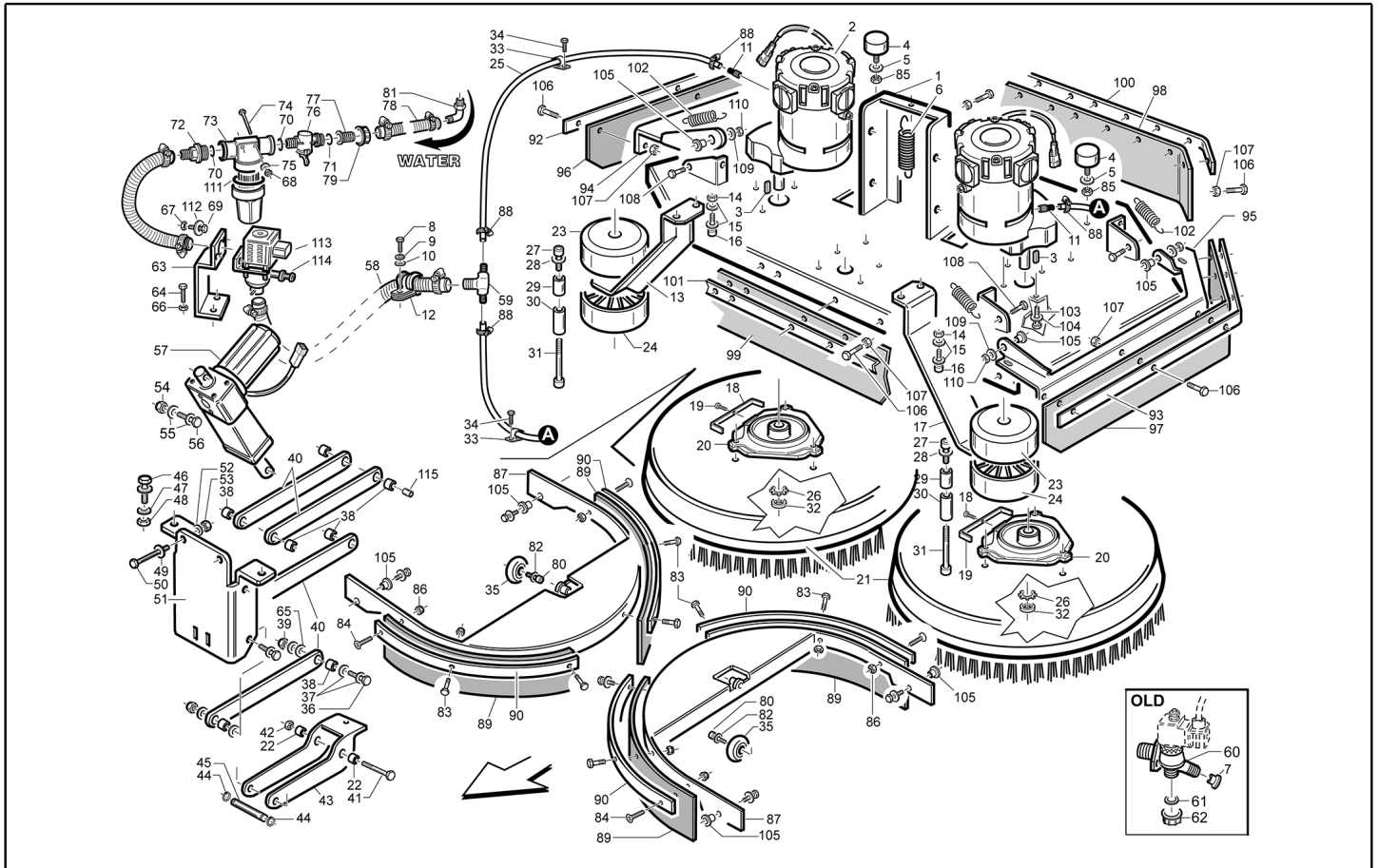
Ref. K	Part n.	Customer part n.	Description	Quantity	Validity		Price
					From	To	
0001	VTAE17003	1105405	CIRCLIP ESTERNO DIN 471 D.15	2,00			--
0002	VTVT00457	05269	SCREW TE M 10X30 ZINC. UNI 5739	1,00			--
0003	VTRS44254	1105329	WASHER UNI 6593 10X40X2,5 ZB	1,00			--
0004	MPVR47027	13201001	STEERING WHEEL D.320 SENZA POMELLO	1,00			--
0005	ALTR00031	21001026	SHAFT PER VOLANTE TK 1050 ZINC.	1,00			--
0006	VTAE00032	RB0060540	SEEGER 20	2,00			--
0007	MPVR05237		PROTECTOR -	1,00			--
0008	LAFN75841	21101002	BUSHING CENTR.PIGNONE RUOTA ANT.	2,00			--
0009	LAFN00149	21101088	BUSHING PORTA PIANTONE TK1050 ZIN	1,00			--
0010	VTVT62920	1105162	SCREW TE FR 6X16 ZB ZIGRINATE	3,00		26/03/2017	--
0010	VTVT09913	1105507	SCREW TCCE UNI 5931 6X16 ZB	3,00	27/03/2017		--
0011	VTRS13946	SL06025	WASHER D. 8 X24 INX UNI 6593	1,00			--
0012	MPVR05250		HANDLE M8X25	1,00			--
0013	KTRI02058		KIT REGOLAZIONE STERZO CT110	1,00			--
0014	VTVT13936	SL04412	SCREW TE M 10X 20	2,00			--
0015	VTRS13947	75373	WASHER D. 8 INX UNI 6592	4,00			--
0016	VTDD00493	75288	NUT M10 TEF	2,00			--
0017	LAFN06362		UP STEERING CT110	1,00			--
0018	VTVT15143	SL04135	SCREW TE 6X16 UNI5739	6,00		22/03/2010	--
0018	VTVT13939	11051239	SCREW TE 6X20 UNI5739 INX	6,00	23/03/2010		--
0019	LAFN06508		BRACKET PIANTONE	1,00			--
0020	LAFN06377		PINION STERZO	1,00			--
0021	VTVT00062	1105504	SCREW TSCE UNI 5933 6X25 ZB	5,00			--
0022	LAFN06373		BRAKE CT110	1,00			--
0023	LAFN06844		SPACER CORONA	5,00			--
0024	VTVT00263	75091	SCREW TSPEI M10x30	4,00			--
0026	VTVT37012	SL04289	SCREW M 4X 10 TCB-TC INX	5,00			--
0027	VTRS00515	SL06032	WASHER D. 4 INX	5,00			--
0028	VTVT00410	SL04127	SCREW TE M8x35 UNI5739 INOX	5,00			--
0029	VTRS15146	05519	WASHER D. 8 INX GRW UNI 1751	5,00			--
0030	VTVR00057	1255008	ARTICULATION CARDANICO	1,00			--
0031	LAFN06374		SHAFT STERZO	1,00			--
0032	VTVR75747	1165009	RING NUT AUTOBLOK M35X1,5 GUK	1,00			--
0033	VTVT13938	75362	SCREW TE 8X20 UNI5739 INX	4,00			--
0034	CUVR00105	SL12031	SUPPORT	1,00			--
0035	VTRS15146	05519	WASHER D. 8 INX GRW UNI 1751	1,00			--
0036	VTRS13947	75373	WASHER D. 8 INX UNI 6592	2,00			--
0037	VTRS16937	11051241	WASHER 6x24 INOX UNI 6593	1,00			--
0038	VTVT15143	SL04135	SCREW TE 6X16 UNI5739	1,00			--
0039	VTVT13936	SL04412	SCREW TE M 10X 20	2,00			--
0040	LAFN04144	SL07636	WASHER RUOTE POSTERIORI	2,00			--
0041	RTRT00507		WHEEL D.300 H=70	2,00			--
0042	LAFN06360		FRAME CT110	1,00			--
0043	LAFN06427		LEVER CT110	1,00			--



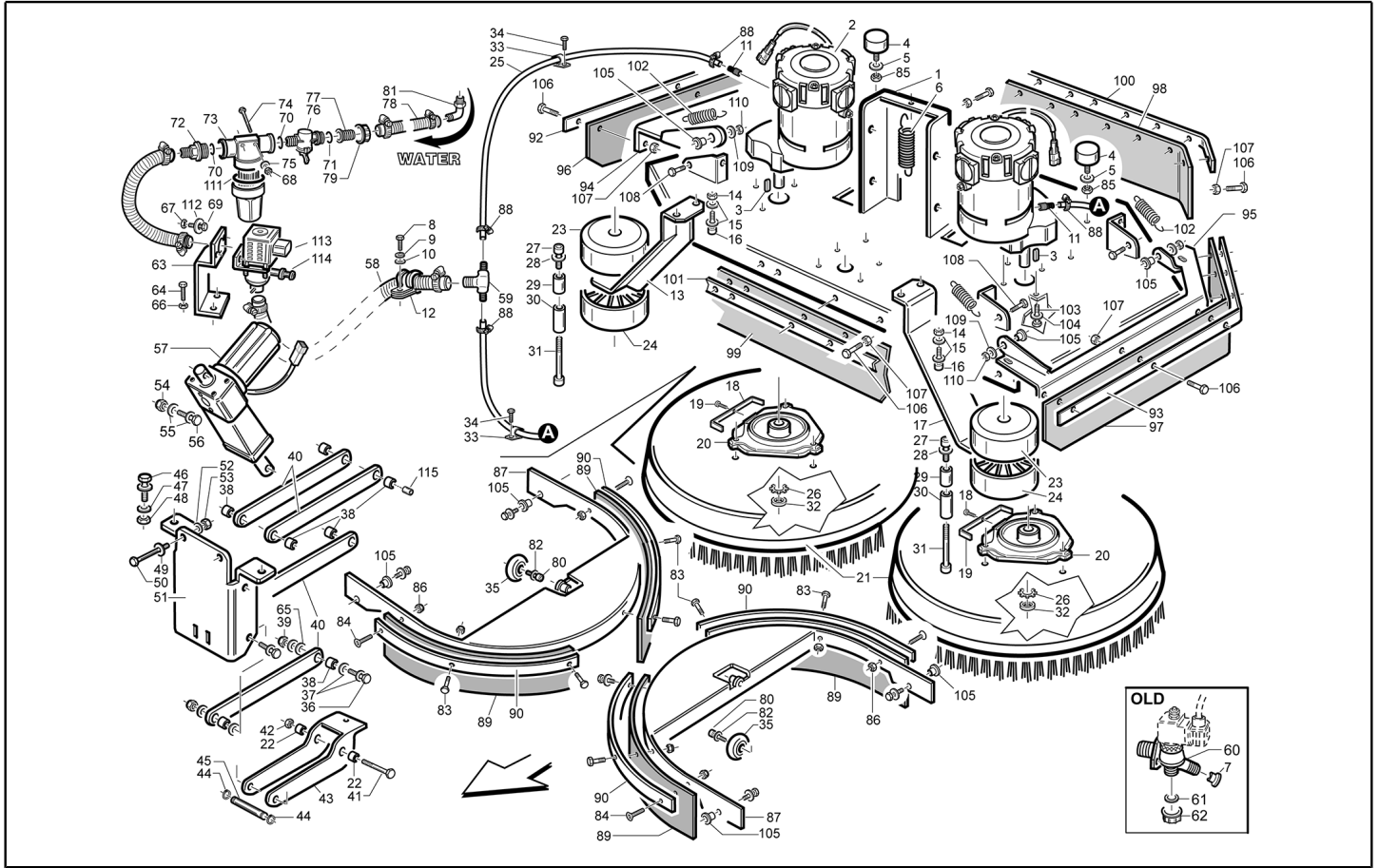
Ref. K	Part n.	Customer part n.	Description	Quantity	Validity		Price
					From	To	
0044	LAFN04147	SL07638	SCREW ASTA SERBATOIO P185	1,00		07/11/2010	--
0044	VTVT15916	SL04203	SCREW TE M 8X 16 UNI 5739 A2	1,00	08/11/2010		--
0045	VTRS00502	05117	WASHER D. 5 0.466 UNI 6592	1,00			--
0046	VTVT00005	1105023	SCREW TE FR 5X12 ZB	1,00			--
0047	LAFN06522		PLATE CT110	1,00			--
0048	LAFN06523		SPACER Ø48 X Ø36,5 X 20	1,00			--
0049	CUVR00120	SL12060	BEARING 6007-2RS1	2,00			--
0050	LAFN06387		BUSHING STERZO	2,00			--
0051	VTAE00018	05390	SEEGER E25x1,2 DIN471	2,00			--
0052	LAFN04148	SL07639	BUSHING ASTA SERBATOIO P185	1,00			--
0053	VTRS00506	05126	WASHER D.12 UNI 6592	1,00		07/11/2010	--
0053	VTRS13946	SL06025	WASHER D. 8 X24 INX UNI 6593	1,00	08/11/2010		--
0054	VTRS13947	75373	WASHER D. 8 INX UNI 6592	4,00			--
0055	VTRS00245	SL06022	WASHER D.6 UNI 6592 INOX	6,00			--
0056	MPVR02933	SL14146	DUCT LOCK D.9,5	2,00			--
0057	VTVT37012	SL04289	SCREW M 4X 10 TCB-TC INX	2,00			--
0058	FSVR00043	70985	CLAMP d.16	1,00			--
0059	VTRS15144	11051232	WASHER D. 6 INX GRW UNI 1751	1,00			--
0060	VTVT15906	SL04180	SCREW TE 6X 12 A2 UNI 5739	1,00			--
0061	LAFN06364		PLATE STERZO	1,00			--
0062	VTVT15917	SL04143	SCREW TE M 8X50 INOX A2 UNI	1,00	27/06/2016		--
0063	LAFN11085		PROTECTION -	1,00	27/06/2016		--
0064	VTRS13947	75373	WASHER D. 8 INX UNI 6592	1,00	27/06/2016		--
0065	VTDD01695	SL05039	NUT M 8 INX	1,00	27/06/2016		--
0066	VTRS00503	05118	WASHER D. 6 TE UNI 6798	3,00	24/07/2017		--
0067	VTDD00491		NUT M 6 TEF	3,00	24/07/2017		--



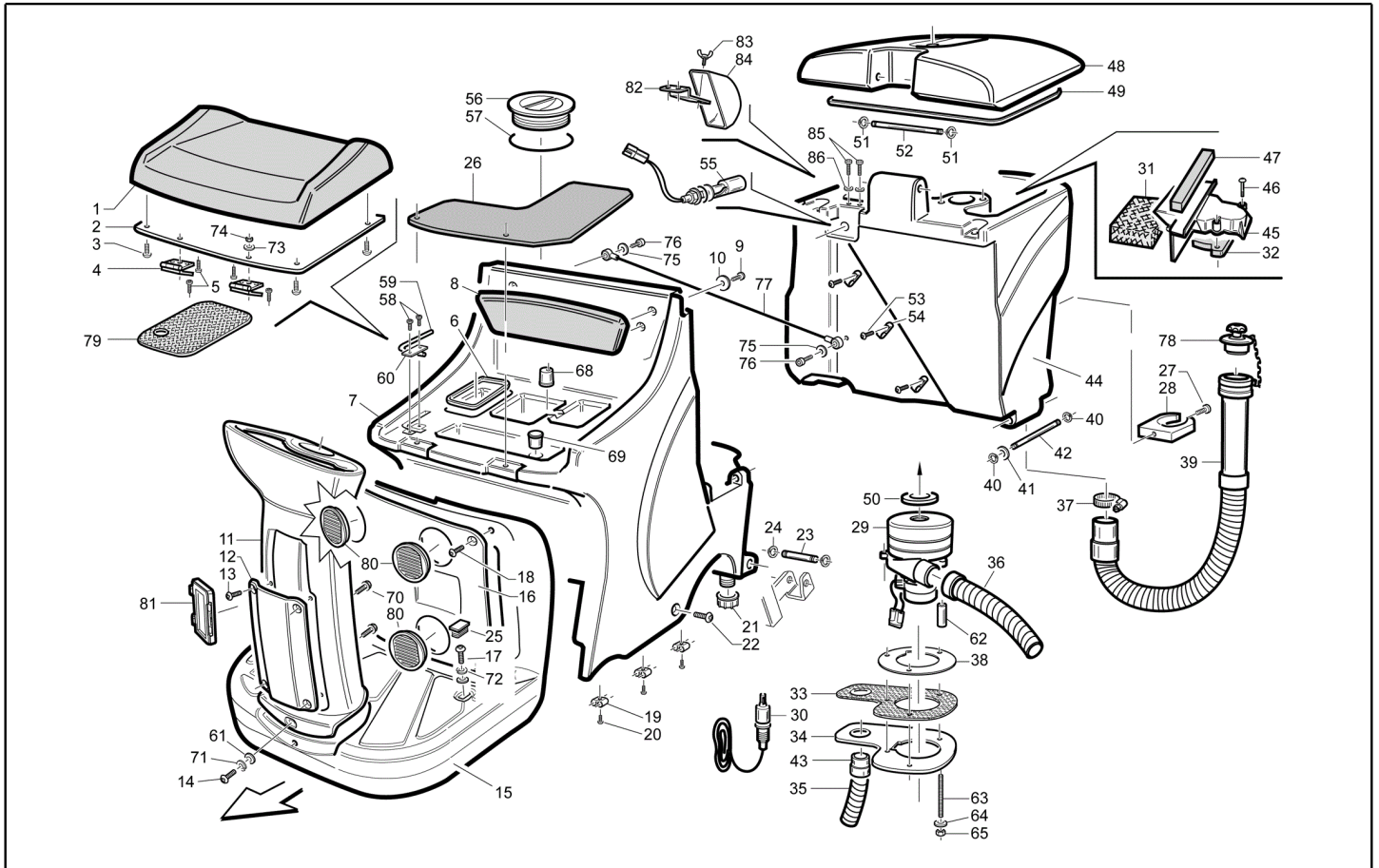
Ref. K	Part n.	Customer part n.	Description	Quantity	Validity		Price
					From	To	
0001	LAFN06553		PLATE CT110	1,00			--
0002	MOCC00375		MOTOR -	2,00			--
0002	MEVR01669		CARBON X MOT.COD.MOCC00298	1,00			--
0003	VTVR28706	1105472	KEY UNI 6604 6X6X20	2,00			--
0004	ABGO00019	70103	VIBRATION DAMP. 40x30 M8x2845 SH	2,00			--
0005	VTRS15146	05519	WASHER D. 8 INX GRW UNI 1751	2,00			--
0006	MLML00241	SL13146	SPRING TESTATA SPAZZOLA P185	1,00			--
0007	MPVR02897	SL07683	REDUCTION D.10-6.5 PER ELETTROVALV.	1,00		06/10/2011	--
0008	VTVT15906	SL04180	SCREW TE 6X 12 A2 UNI 5739	1,00			--
0009	VTRS15144	11051232	WASHER D. 6 INX GRW UNI 1751	1,00			--
0010	VTRS00503	05118	WASHER D. 6 TE UNI 6798	1,00			--
0011	LAFN07627		BUSHING -	2,00			--
0012	FSVR00043	70985	CLAMP d.16	1,00			--
0013	LAFN06556		BRACKET CT110	1,00			--
0015	VTRS15146	05519	WASHER D. 8 INX GRW UNI 1751	4,00			--
0016	VTVT13938	75362	SCREW TE 8X20 UNI5739 INX	4,00			--
0017	LAFN06502		SUPPORT 820	1,00			--
0018	VTVT21887	SL04079	SCREW TCB-TC 4X10 8112	2,00			--
0019	MLML00231	SL13136	SPRING ANTISGANCIO 85 X FLANGIA	2,00		06/05/2012	--
0019	MLML00328		SPRING -	2,00	07/05/2012		--
0020	MFVR00216		FLANGE -	2,00		30/10/2013	--
0020	MFVR00225		DRIVE DISK CT110 ECS	2,00	01/11/2013		--
0021	SPPV01259		DRIVE DISK MICROFIBRE	2,00			--
0021	SPPV00435	AL03901	BRUSH NYLON 16"	2,00			--
0022	LAFN04187	SL07679	SPACER PER RIDUTTORE	2,00			--
0023	RTRT00510		WHEEL ANTIRIBALTAMENTO	2,00			--
0024	MPVR05295		WHEEL PARACOLPI	2,00			--
0025	TBBP00003	1270005	TUBE CRISTALLO 6X9	0,80			--
0026	VTRS00571		WASHER -	2,00			--
0027	VTVT01118	SL04265	SCREW TCEI M 8X16 ZC. UNI 5931	2,00			--
0028	VTRS13947	75373	WASHER D. 8 INX UNI 6592	2,00			--
0029	LAFN06472		PIN RUOTA	2,00			--
0030	LAFN07060		SPACER RUOTA PARACOLPI	2,00			--
0031	VTVT77509	SL04156	SCREW TE 8X60 UNI5739	2,00		23/03/2015	--
0031	VTVT09650		SCREW TCEI 8X50 UNI5931	2,00	24/03/2015		--
0032	VTVR00328		RING NUT -	2,00			--
0033	MPVR02933	SL14146	DUCT LOCK D.9,5	2,00			--
0034	VTVT37012	SL04289	SCREW M 4X 10 TCB-TC INX	2,00			--
0035	CUVR00184		BEARING -	2,00			--
0036	VTVT13937	11051230	SCREW TE M 8X 30 INX UNI 5739	4,00			--
0037	VTRS13947	75373	WASHER D. 8 INX UNI 6592	16,00			--
0038	LAFN04151	SL07641	BUSHING X PARALLELOGRAMMA	8,00		28/05/2017	--
0038	CUVR00130	SL12072	BEARING STRISCIAMENTO	8,00	29/05/2017		--
0039	VTDD15521	05518	NUT M 8 INX A2 UNI 5588	4,00			--



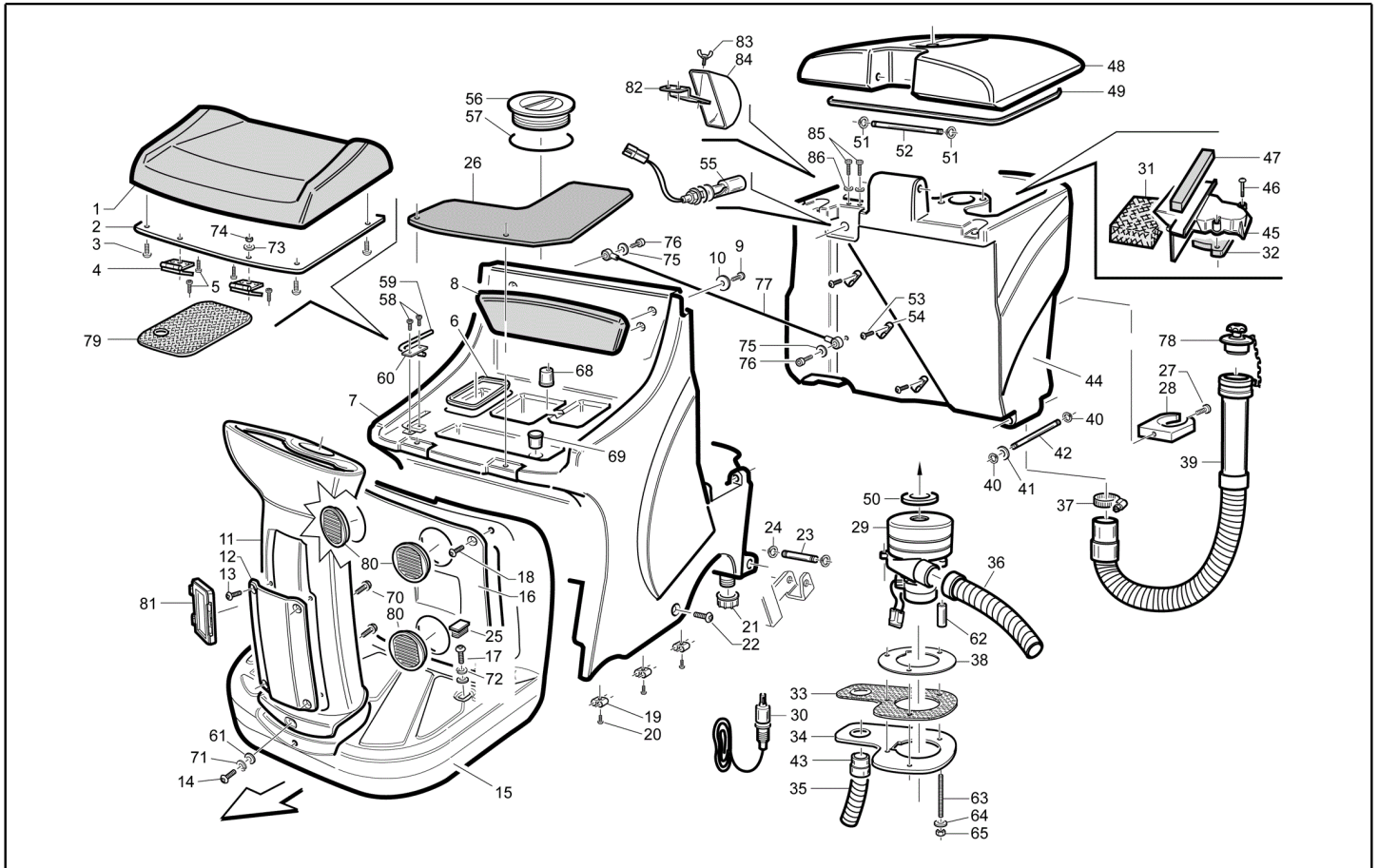
Ref. K	Part n.	Customer part n.	Description	Quantity	Validity		Price
					From	To	
0040	LAFN06370		LEVER PARALLELOGRAMMA	4,00		28/05/2017	--
0040	LAFN11145		LEVER HEAD CT110	4,00	29/05/2017		--
0041	VTVT15142	SL04087	SCREW TE M 6x45 INOX	2,00		10/03/2013	--
0041	VTVT01684		SCREW TE 6X45	2,00	11/03/2013		--
0042	VTDD15518	75375	NUT M 6 INX	1,00			--
0043	LAFN07636		ARM -	1,00			--
0044	VTAE13511	SL11014	CIRCLIP D. 10 UNI 7435	2,00			--
0045	LAFN51065		PIN INFER.ATTUAT.TEST.	1,00			--
0046	VTVT13937	11051230	SCREW TE M 8X 30 INX UNI 5739	2,00			--
0047	VTRS13947	75373	WASHER D. 8 INX UNI 6592	8,00			--
0048	VTDD01696		NUT M 8 INX	4,00			--
0049	VTRS13947	75373	WASHER D. 8 INX UNI 6592	8,00			--
0050	VTVT13937	11051230	SCREW TE M 8X 30 INX UNI 5739	2,00			--
0051	LAFN06383		ARM TESTATA	1,00			--
0052	VTRS13947	75373	WASHER D. 8 INX UNI 6592	2,00			--
0053	VTDD01694	SL05074	NUT M6 INOX	2,00			--
0054	VTDD15521	05518	NUT M 8 INX A2 UNI 5588	1,00			--
0055	VTRS13946	SL06025	WASHER D. 8 X24 INX UNI 6593	2,00			--
0056	VTVT00410	SL04127	SCREW TE M8x35 UNI5739 INOX	1,00			--
0057	MOCC00376		ATUATOR -	1,00			--
0058	TBFX48011	MP19205	TUBE FLEX D.12X3 ARMORV.PVC TR	0,42			--
0059	RCVR01711		CONNECTOR T PORTAG.8/10	1,00			--
0060	MEEV00018	SL18414	SOLENOID VALVE	1,00		06/10/2011	--
0061	GUGO00268	SL03630	GASKET D.21 SP.3 GOMMA	1,00		06/10/2011	--
0062	RCVR00353	SL14382	CAP 1/2"G X ELETTROV. ACL	1,00		06/10/2011	--
0063	LAFN05835	SL39303	BRACKET PORTAELETTROVALVOLA	1,00			--
0064	VTVT15906	SL04180	SCREW TE 6X 12 A2 UNI 5739	1,00			--
0065	VTRS13946	SL06025	WASHER D. 8 X24 INX UNI 6593	2,00			--
0066	VTDD15518	75375	NUT M 6 INX	1,00			--
0067	VTDD15925	SL05078	NUT M 4 INX	2,00			--
0068	VTDD01694	SL05074	NUT M6 INOX	2,00			--
0069	VTVT00817	SL04323	SCREW TE M4x12 UNI 5739 INOX	2,00			--
0070	GUGO36290	SL03208	O-RING D. 17.04 X 3.53 NBR 70SH	2,00			--
0071	GUGO00427		GASKET -	1,00			--
0072	RCVR00540	SL18416	CONNECTOR	1,00			--
0073	FTAC00038	SL18411	FILTER G1/2 INOX	1,00			--
0074	VTVT00699	SL04140	SCREW TE M. 6-70	2,00			--
0075	VTRS13945	SL06039	WASHER D. 6X18 INX UNI 6593	2,00			--
0076	RCGR00078		VALVE WATER	1,00			--
0077	RCVR00744		CONNECTOR -	1,00			--
0078	TBFX48011	MP19205	TUBE FLEX D.12X3 ARMORV.PVC TR	0,45			--
0079	MPVR05240		RING NUT G1/2	1,00			--
0080	VTVT00717	SL04172	SCREW TCEI M. 6-16	2,00			--
0081	RCVR00109	12476	CURVE 90°	1,00			--



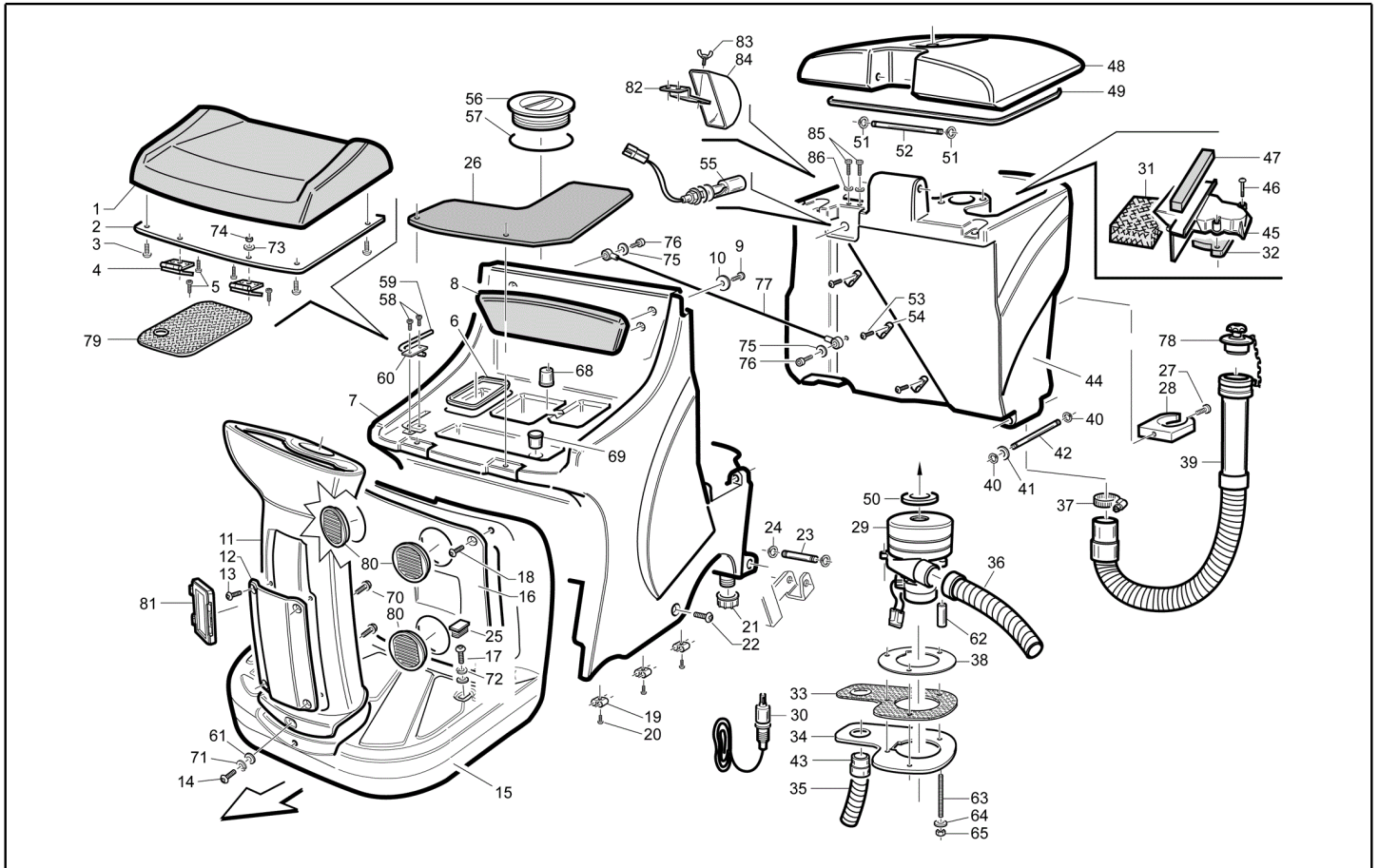
Ref. K	Part n.	Customer part n.	Description	Quantity	Validity		Price
					From	To	
0082	VTRS00503	05118	WASHER D. 6 TE UNI 6798	2,00			--
0083	VTVT07725	SL04152	SCREW TE 5X16 UNI5739 INX	8,00			--
0084	VTVT13941	1105497	SCREW M5x16 TSPEI UNI 5933	4,00			--
0085	VTDD15521	05518	NUT M 8 INX A2 UNI 5588	2,00			--
0086	VTDD01693	SL05087	NUT M 5 INX	12,00			--
0087	LAFN05923	SL39395	SUPPORT -	2,00			--
0088	FSVR00087	SL14021	CLAMP A COLLARE	2,00			--
0089	MPVR02856	SL03662	FLAP -	4,00			--
0090	LAFN05933	SL39405	PLATE -	4,00			--
0092	LAFN05931	SL39403	PLATE -	1,00			--
0093	LAFN05938	SL39410	PLATE -	1,00			--
0094	LAFN05935	SL39407	PLANE -	1,00			--
0095	LAFN05937	SL39409	PLANE -	1,00			--
0096	MPVR02853	SL03659	FLAP RH SIDE BRUSH HEAD 85	1,00			--
0097	MPVR02854	SL03660	FLAP LH SIDE BRUSH HEAD 85	1,00			--
0098	MPVR05740		FLAP CT110	1,00			--
0099	MPVR05755		FLAP -	1,00			--
0100	LAFN06554		PLATE CT110	1,00			--
0101	LAFN05932	SL39404	PLATE FIS FLAP ANT TEST 850	1,00			--
0102	MLML02801	SL13155	SPRING FLAP LATER.	4,00			--
0103	VTVT15143	SL04135	SCREW TE 6X16 UNI5739	8,00			--
0104	VTRS15144	11051232	WASHER D. 6 INX GRW UNI 1751	4,00			--
0105	CUVR00140	SL12084	BUSHING DI CENTRAGGIO SPAZZOLE	8,00			--
0106	VTVT15143	SL04135	SCREW TE 6X16 UNI5739	12,00			--
0107	VTDD01694	SL05074	NUT M6 INOX	12,00			--
0108	VTVT07725	SL04152	SCREW TE 5X16 UNI5739 INX	4,00			--
0109	VTRS13750	SL06038	WASHER D. 5X14 INX	4,00			--
0110	VTDD01693	SL05087	NUT M 5 INX	4,00			--
0111	GUVR00311		GASKET FTAC00038	1,00			--
0113	MEEV00044		SOLENOID VALVE	1,00	07/10/2011		--
0114	MEEV00044		SOLENOID VALVE	1,00	07/10/2011		--
0115	LAFN08907		SPACER 12-8	8,00	29/05/2017		--



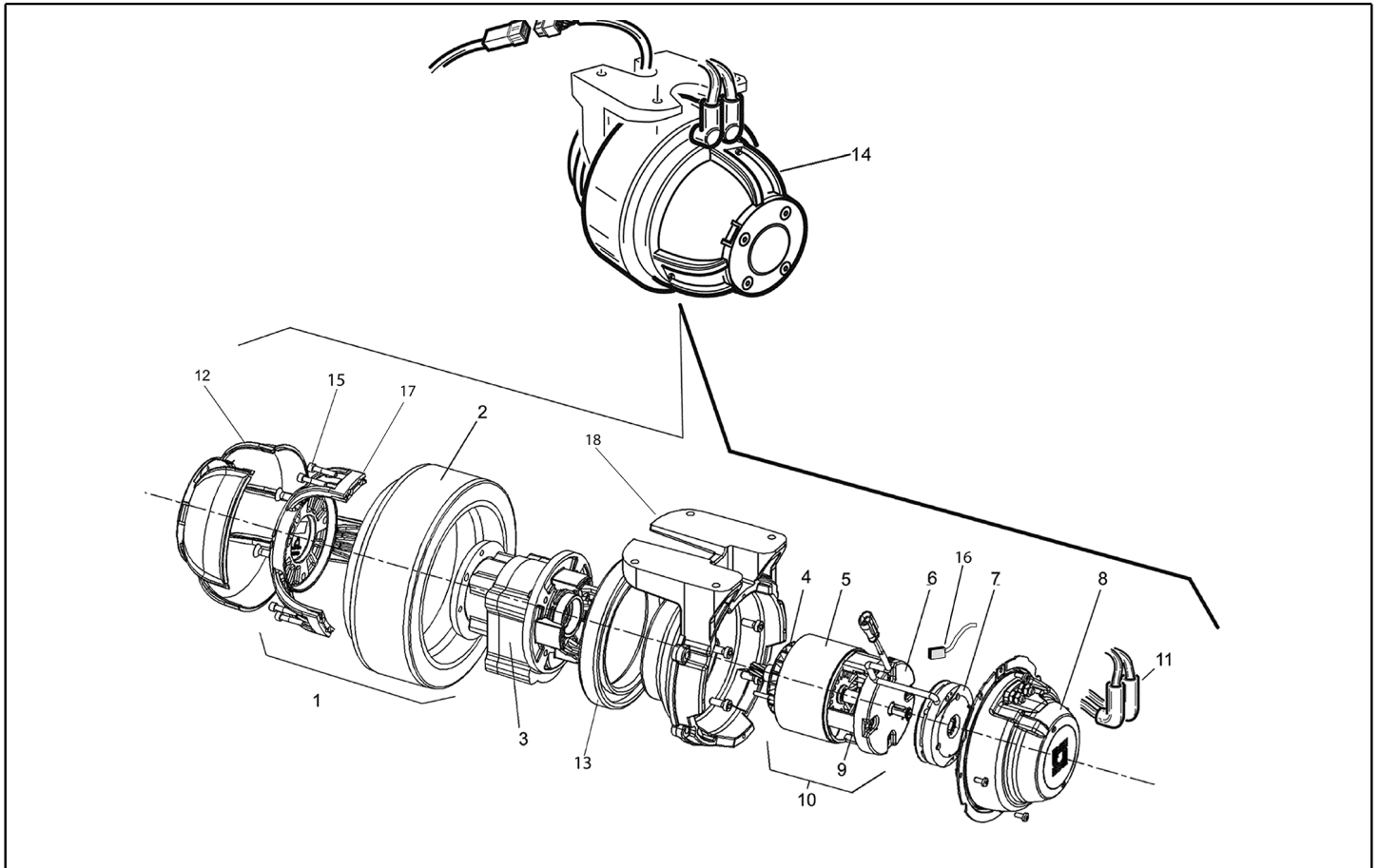
Ref. K	Part n.	Customer part n.	Description	Quantity	Validity		Price
					From	To	
0001	SESD00021	SL14372	SEAT	1,00			--
0002	LAFN06430		PLATE CT110	1,00			--
0003	VTVT15143	SL04135	SCREW TE 6X16 UNI5739	4,00			--
0004	CEVR00060	SL14379	HINGE PORTA SEDILE P185	2,00			--
0005	VTVT01317		SCREW M 5X 12 TSPEI UNI 5933	4,00			--
0006	GUVR00284		GASKET CT110	1,00			--
0007	MPVR05692		TANK CT110	1,00			--
0008	SESD00020	SL14371	BACKREST CLEANTIME	1,00			--
0009	VTVT00433		SCREW TE M 6X 30 UNI 5739 INX	2,00			--
0010	VTRS13945	SL06039	WASHER D. 6X18 INX UNI 6593	4,00			--
0011	MPVR05694		SIDE PANEL CT110	1,00			--
0012	MPVR05693		COVER SCHEDA POTENZA	1,00		09/11/2009	--
0012	MPVR05205		COVER SCHEDA POTENZA	1,00	10/11/2009		--
0013	VTVT00005	1105023	SCREW TE FR 5X12 ZB	4,00			--
0014	VTVT15142	SL04087	SCREW TE M 6x45 INOX	1,00			--
0015	MPVR05691		PLANE CT110	1,00			--
0016	MPVR05206		COVER PANNELLO ELETTRONICA	1,00			--
0017	VTVT00433		SCREW TE M 6X 30 UNI 5739 INX	2,00			--
0018	VTVT00005	1105023	SCREW TE FR 5X12 ZB	4,00			--
0019	FSVR00243		CLAMP 20/30	3,00			--
0020	VTVT37012	SL04289	SCREW M 4X 10 TCB-TC INX	3,00			--
0021	KTRI03463		CLEAN WATER TANK CAP AND GASKET	1,00		31/10/2011	--
0021	MPVR07073		CAP SOLUTION TANK CT110	1,00	01/11/2011	09/03/2017	--
0021	MPVR10773		CAP 3/4"	1,00	10/03/2017		--
0022	VTVT00005	1105023	SCREW TE FR 5X12 ZB	1,00			--
0023	LAFN06433		PIN ROTAZIONE	2,00			--
0024	VTAE06761	RP06761	CIRCLIP D. 18 UNI 7435	4,00			--
0025	MPVR05314		CAP STR35X25	2,00			--
0026	MPVR05315		ROD CT110	1,00			--
0027	VTVT15924	1105494	SCREW TCTC 4X16 ACCIAIO INOX	1,00			--
0028	MPVR05252		CLIP D.60	1,00			--
0029	MOCC00273		MOTOR VACUUM 3ST 24V	1,00			--
0029	MEVR05200		CARBON MOTORE ASP.AMET.116599-13	1,00			--
0030	MECI00533		SENSOR VS303-51N	1,00			--
0031	FTDP00133	SL03647	FILTER VACUUM MOTOR	1,00			--
0032	GUGO00417		GASKET SCATOLA ASPIRAZIONE	1,00			--
0033	MPVR05103		SOUND-PROOFING ASPIRATORE	1,00			--
0034	LAFN06363		FLANGE ASPIRATORE	1,00			--
0035	TBFX00244	SL19198	TUBE D 34 L200MM	1,00			--
0036	TBFX00244	SL19198	TUBE D 34 L200MM	1,00			--
0037	FSVR00033	70616	CLAMP 45-60	1,00			--
0038	MPVR04724		FLANGE IN NYLON	1,00			--
0039	TBBP00401		TUBE ACQUA SPORCA	1,00		25/03/2013	--
0039	TBFX00362		TUBE PU	1,00	26/03/2013		--



Ref. K	Part n.	Customer part n.	Description	Quantity	Validity		Price
					From	To	
0040	VTAE14096	1105412	SEEGER ESTERNO DIN 471 D.8	2,00			--
0041	VTRS13947	75373	WASHER D. 8 INX UNI 6592	1,00			--
0042	LAFN06434		PIN ROTAZIONE	1,00			--
0043	MPVR31077	SL07044	BUSHING L.450	1,00			--
0044	MPVR05696		TANK CT110	1,00			--
0045	MPVR05482		BOX -	1,00			--
0046	VTVT01325		SCREW TCEI 5X35 INOX UNI5931	2,00			--
0047	GUGO00418		GASKET CONDOTTO ASPIRAZIONE	1,00			--
0048	MPVR05695		COVER CT110	1,00			--
0049	GUVR00272		GASKET CT110	1,00			--
0050	GUGO00272	SL03648	GASKET VACUUM MOTOR CT	1,00			--
0051	VTVR00536		SEEGER 8	2,00			--
0052	LAFN06509		PIN ROTAZIONE	1,00			--
0053	VTVT37012	SL04289	SCREW M 4X 10 TCB-TC INX	3,00			--
0054	MPVR02933	SL14146	DUCT LOCK D.9,5	3,00			--
0055	MECI00516		SENSOR FLOAT WATER TANK	1,00			--
0056	MPVR05212		CAP -	1,00		22/06/2009	--
0057	GUVR00287		GASKET CT110	1,00		22/06/2009	--
0058	VTVT00849	SL04364	SCREW M 4X 10 TSPEI INX U.5933	2,00			--
0059	LAFN06431		ROD CT110	1,00			--
0060	LAFN06432		PLATE CT110	1,00			--
0061	VTRS13945	SL06039	WASHER D. 6X18 INX UNI 6593	1,00			--
0062	LAFN51077		SPACER PH	3,00			--
0063	VTVT00785	SL04276	ROD FILETTO	3,00			--
0064	VTRS13945	SL06039	WASHER D. 6X18 INX UNI 6593	3,00			--
0065	VTDD15518	75375	NUT M 6 INX	3,00			--
0068	MPVR05273		CAP CT110	1,00			--
0069	MPVR05272		CAP CT110	1,00			--
0070	VTVT62920	1105162	SCREW TE FR 6X16 ZB ZIGRINATE	4,00			--
0071	VTRS15144	11051232	WASHER D. 6 INX GRW UNI 1751	1,00			--
0072	VTRS15144	11051232	WASHER D. 6 INX GRW UNI 1751	2,00			--
0073	VTRS00502	05117	WASHER D. 5 0.466 UNI 6592	2,00			--
0074	VTDD15517	SL05043	NUT M 5 INX	2,00			--
0075	VTRS13947	75373	WASHER D. 8 INX UNI 6592	4,00			--
0076	VTVT13938	75362	SCREW TE 8X20 UNI5739 INX	2,00			--
0077	CMCV00427		CABLE CT 110	1,00			--
0078	MPVR05380		CAP CT110	1,00			--
0079	GUGO00313		MOUSSE CT110	1,00			--
0080	LAFN02931	71859	BRACKET FAN COOLER	2,00			--
0081	MEVR00232	06683	DOOR TO REMOVE AND RESET FUSE	1,00			--
0082	LAFN07737		BRACKET -	1,00			--
0083	VTVT01150		SCREW 4x10	1,00			--
0084	MPVR05596		PROTECTION -	1,00			--
0085	VTVT15961	SL04108	SCREW M 5X 16 TCB TC UNI 7687	2,00			--



Ref. K	Part n.	Customer part n.	Description	Quantity	Validity		Price
					From	To	
0086	VTRS15908	SL06094	WASHER D. 5 INX GRW UNI 1751	2,00			--



Ref. K	Part n.	Customer part n.	Description	Quantity	Validity		Price
					From	To	
0001	RTRT00533		RING MOTORWHEEL	1,00			--
0002	RTRT00533		RING MOTORWHEEL	1,00			--
0003	RDGR00040		REDUCTION UNIT CT110	1,00			--
0004	KTRI05043		KIT MOTORWHEEL CT110	1,00			--
0006	MEVR02084		CAP CT110	1,00			--
0007	MEVR02030		BRAKE -	1,00			--
0008	MPVR06031		COWLING MOTORUOTA	1,00			--
0009	MEVR00985	MP02251-2	BRUSH CARBON 10X18	4,00			--
0010	MOCC00399		MOTOR MP80	1,00			--
0011	MEVR00889		PIPETTE	2,00			--
0012	MPVR08044		COVER -	1,00			--
0013	CUVR00194		BEARING 61926 2RS	1,00			--
0014	KTRI02209		KIT CT110	1,00			--
0015	VTVT16676		SCREW M6X60 A2 UNI5931	4,00			--
0016	MEVR02902		PASTILLE -	1,00			--
0017	MFVR00295		SUPPORT -	1,00			--
0018	MFVR00296		SUPPORT -	1,00			--