

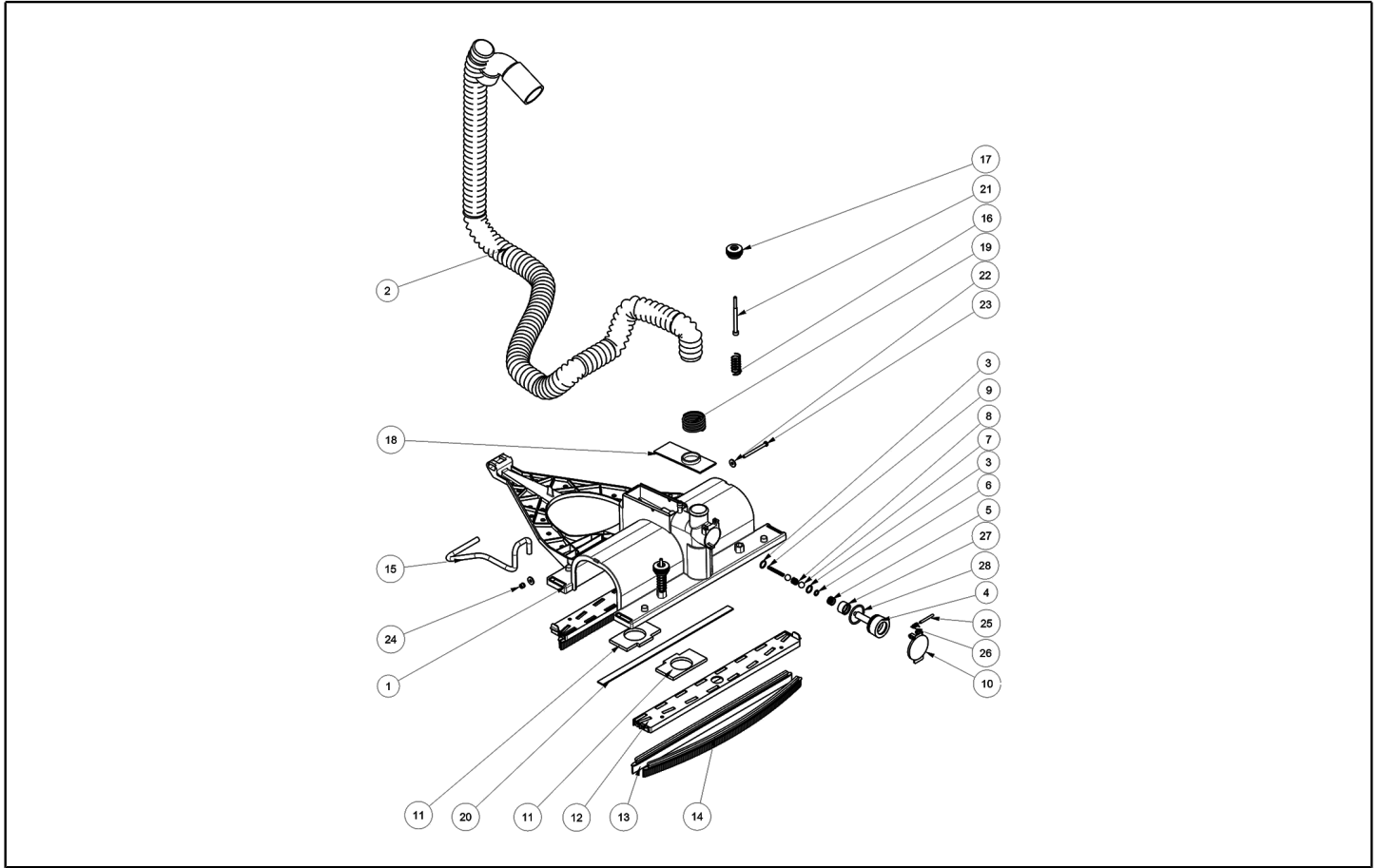


**IPC**

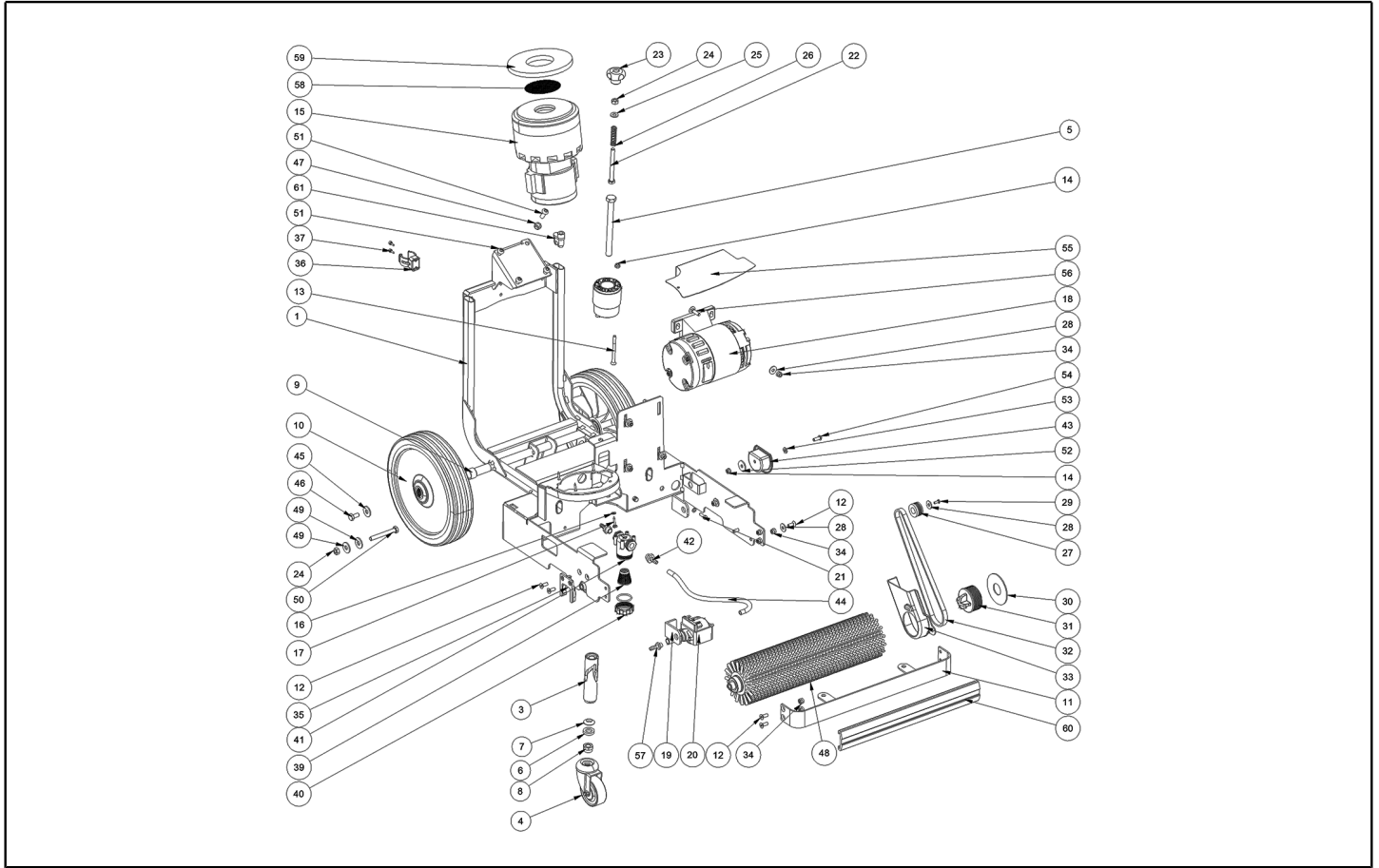
**Spare parts list**

Ref: LPTB02916

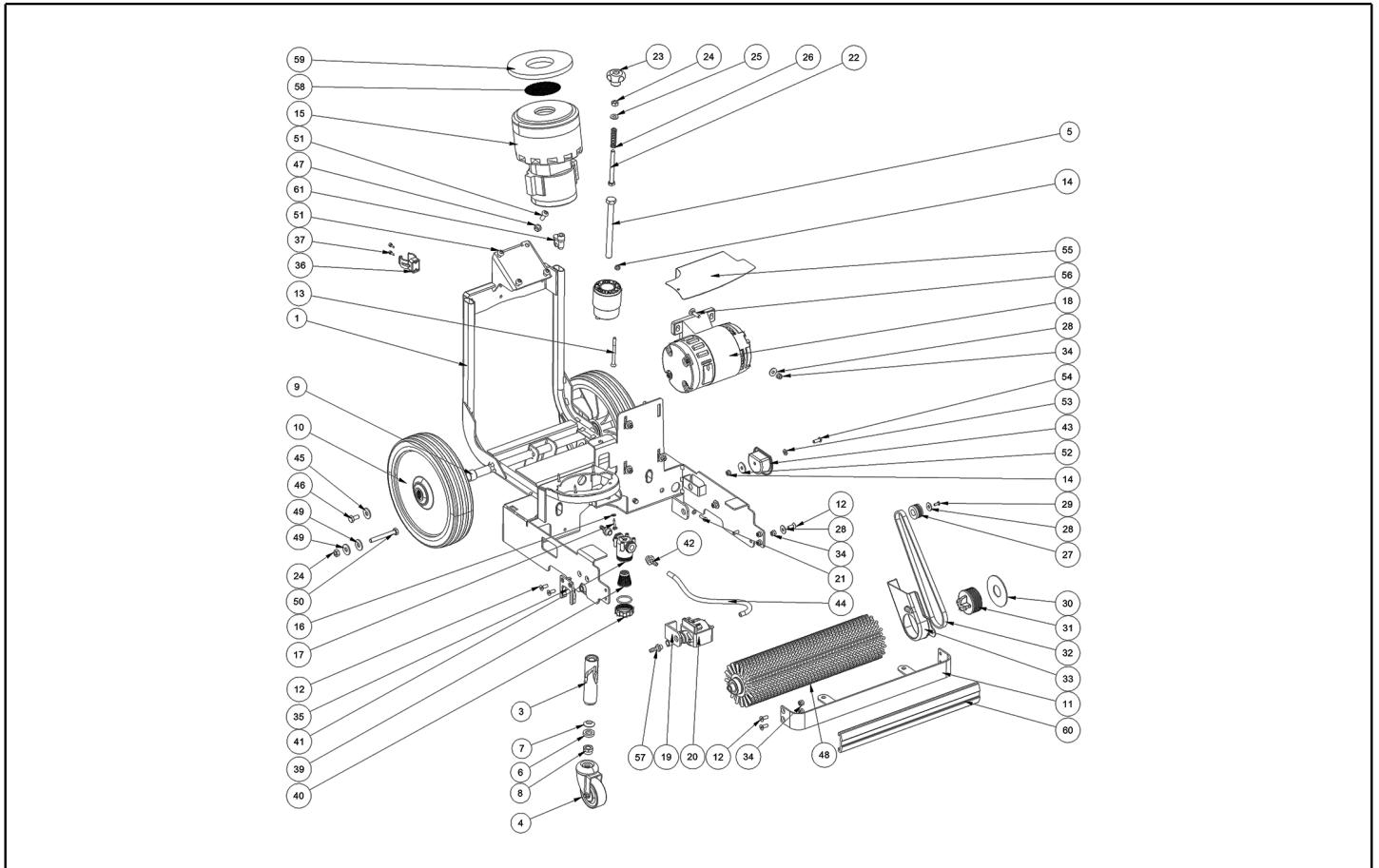
Model: FLOOR WASHER CT15 B35R+BAT CK GR/VE



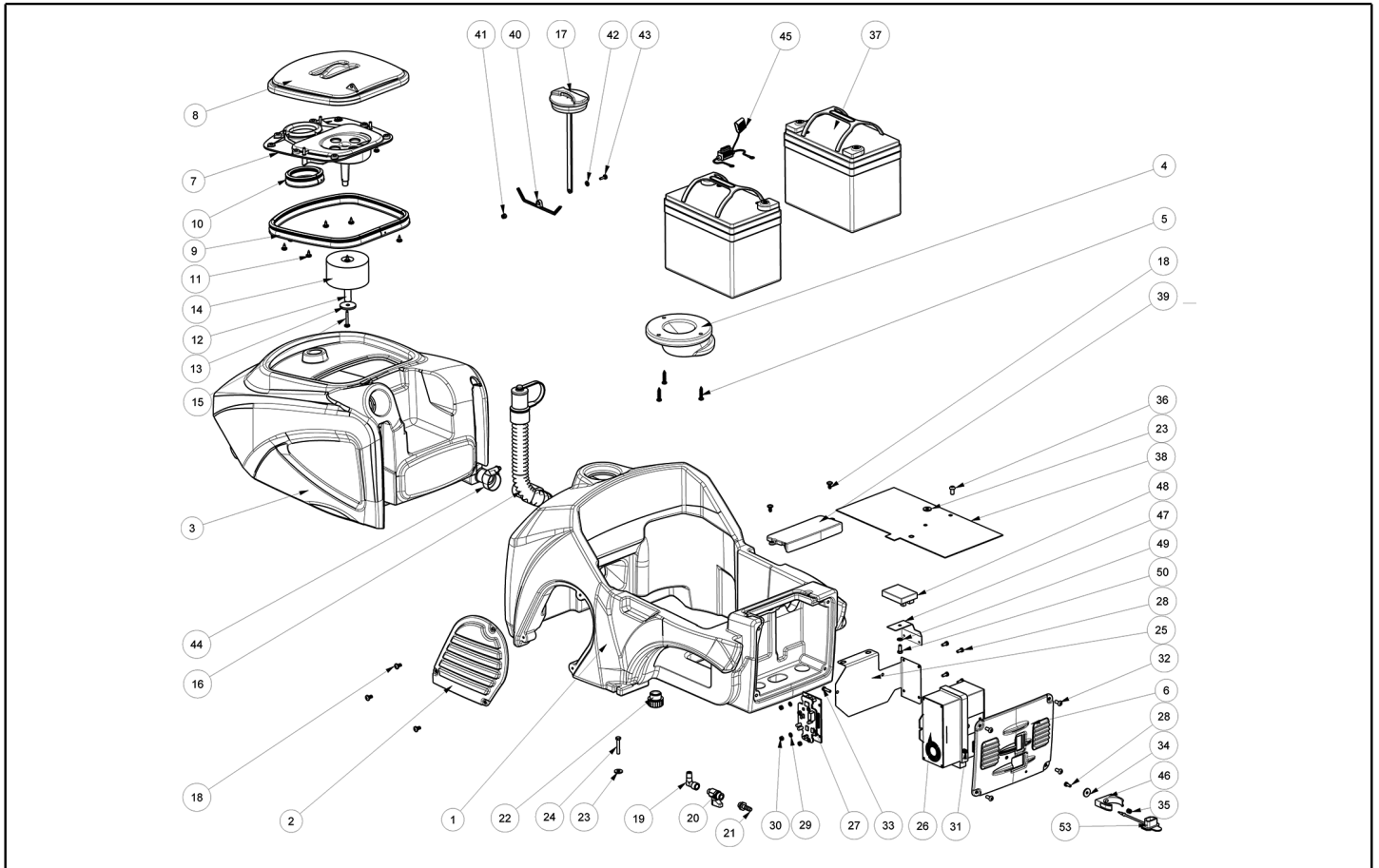
Ref. K	Part n.	Customer part n.	Description	Quantity	Validity		Price
					From	To	
0001	MPVR10609		SUPPORT SQUEEGEE	1,00			--
0002	TBFX00376		TUBE -	1,00			--
0003	GUGO00164	SL03199	GASKET	2,00			--
0004	LAFN05111	SL09820	PROTECTION ACCESSORIO	1,00			--
0005	RCDS34777	SL07307	BUSHING D.20 OTT.	1,00			--
0006	GUGO00165	SL03200	GASKET	1,00			--
0007	SFVR34773	SL14152	BALL D. 7/16" PPH	2,00			--
0008	MLML00184	SL13077	SPRING COMPRESSIONE D.10-1	1,00			--
0009	MLML34772	SL13059	SPRING D. 5 X40	1,00			--
0010	MPVR34711	SL17254	COVER E 350N	1,00			--
0011	GUGO38416	SL03351	GASKET E350 II	1,00			--
0012	MPVR10719		SUPPORT BLADE CT15R	1,00			--
0013	MPVR31594	SL03193	RUBBER H31 E 350N	1,00			--
0014	MPVR10734		FLAP -	1,00			--
0016	MLML00302		SPRING REGISTRAZIONE FLAP	2,00			--
0017	MPVR05627		KNOB -	2,00			--
0018	MPVR02180	MP17252-1	CAP	1,00			--
0019	MLML00475		SPRING -	1,00			--
0020	MPVR03455	SL17255	BRACKET	1,00			--
0021	VTVT01175		SCREW M6x80	2,00			--
0022	VTRS13750	SL06038	WASHER D. 5X14 INX	2,00			--
0023	VTVT00663	SL04071	SCREW M5X60	1,00			--
0024	VTDD01693	SL05087	NUT M 5 INX	1,00			--
0025	VTVR34710	SL07204	PLUG 4X35	1,00			--
0026	MLML34775	SL13057	SPRING E350 N	1,00			--
0027	LAFN03904	SL07378		1,00			--
0028	GUGO00488		GASKET -	1,00			--



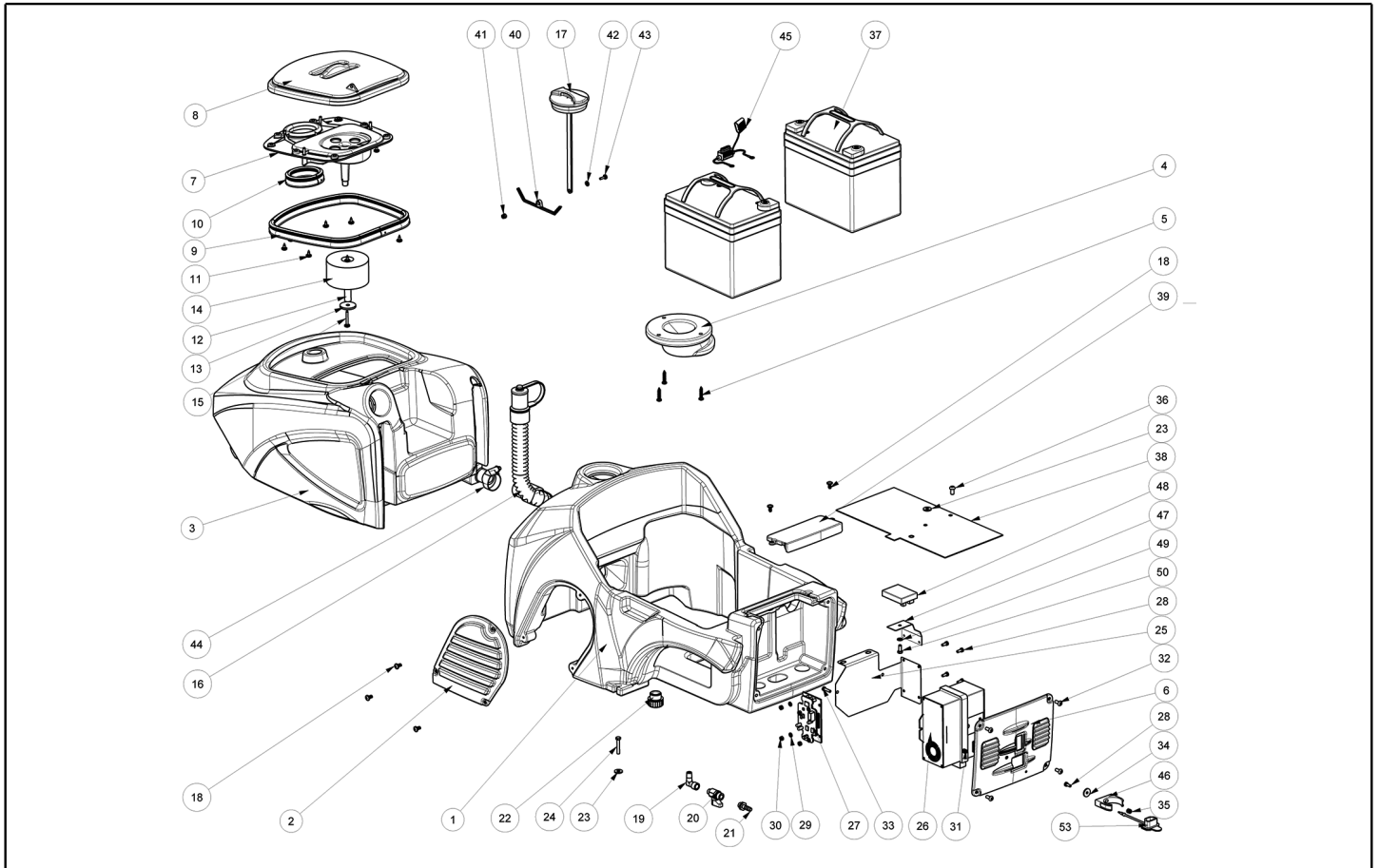
Ref. K	Part n.	Customer part n.	Description	Quantity	Validity		Price
					From	To	
0001	LAFN09451		FRAME -	1,00			--
0002	MPVR07136		BUSHING -	1,00			--
0003	MPVR06519		PIN -	1,00			--
0004	RTRT00580		WHEEL -	1,00			--
0005	VTVT00868	SL04389	SCREW TE M12-140	1,00			--
0006	VTRS00576		WASHER D12	1,00			--
0007	VTRS00575		WASHER D12	1,00			--
0008	VTDD00176	SL05092	NUT M.12 INOX A2 BASSO AUTOB.	1,00			--
0009	LAFN08915		BUSHING -	2,00			--
0010	RTRT00537		WHEEL GRAY d.250 CT15-30-45	2,00			--
0011	LAFN09452		BUMPER -	1,00			--
0012	VTVT00832	SL04339	SCREW TSPEI M6X16 INOX	9,00			--
0013	VTVT01160		SCREW M6x65	3,00			--
0014	VTDD01694	SL05074	NUT M6 INOX	4,00			--
0015	MOCC00397		MOTOR VACUUM CT15-CT30	1,00			--
0016	VTRS00516	SL06034	WASHER D. 5 INX	6,00			--
0017	VTVT00103	1105798	SCREW AUTOF.TC UNI 6954 4,8X22	4,00			--
0018	MOCC00451		MOTOR -	1,00			--
0019	ABGO00010	22602017	SUPPORT ANTIVIBRANTE POMPA L15-20	2,00			--
0020	PEPEL00028		PUMP 24V	1,00			--
0021	VTVT07725	SL04152	SCREW TE 5X16 UNI5739 INX	2,00			--
0022	VTVT00734	SL04201	SCREW TE M. 8-80	1,00			--
0023	VTVR35378	SL20002	HANDWHEEL F 8MAX20 D.40	1,00			--
0024	VTDD15521	05518	NUT M 8 INX A2 UNI 5588	2,00			--
0025	VTRS13947	75373	WASHER D. 8 INX UNI 6592	1,00			--
0026	MLML00033	2205400	SPRING ALZAFLAP SILVER ZB	1,00			--
0027	MTPL31027	SL07160	PULLEY POLY-V J4	1,00			--
0028	VTRS13945	SL06039	WASHER D. 6X18 INX UNI 6593	7,00			--
0029	VTVT01303		SCREW TE M6-10 INOX	1,00			--
0030	LAFN34719	SL17268	DISC E 350	1,00			--
0031	MPVR04119	SL17651	PULLEY TRASC.RULLO350	1,00			--
0032	MTCG31927	13302000	BELT POLY 559-220 J 4	1,00			--
0033	MPVR34721	SL17258	CRANKCASE E 350N	1,00			--
0034	VTDD15518	75375	NUT M 6 INX	6,00			--
0035	MPVR31929	SL17257	SUPPORT E 350 N	1,00			--
0036	MPVR06412		SUPPORT -	1,00			--
0037	VTVT00089	1105778	SCREW TCCE UNI 5931 4X10 ZB	2,00			--
0038	GUGO00446		O-RING -	1,00			--
0039	MPVR07071		FILTER CT15	1,00			--
0040	MPVR07069		CAP CT15	1,00			--
0041	MPVR07070		BODY CT15	1,00			--
0042	RCVR00786		CONNECTOR -	2,00			--
0043	MPVR06520		COVER -	1,00			--
0045	VTRS00512	RS01113	WASHER D. 8 X24 ZC.	2,00			--



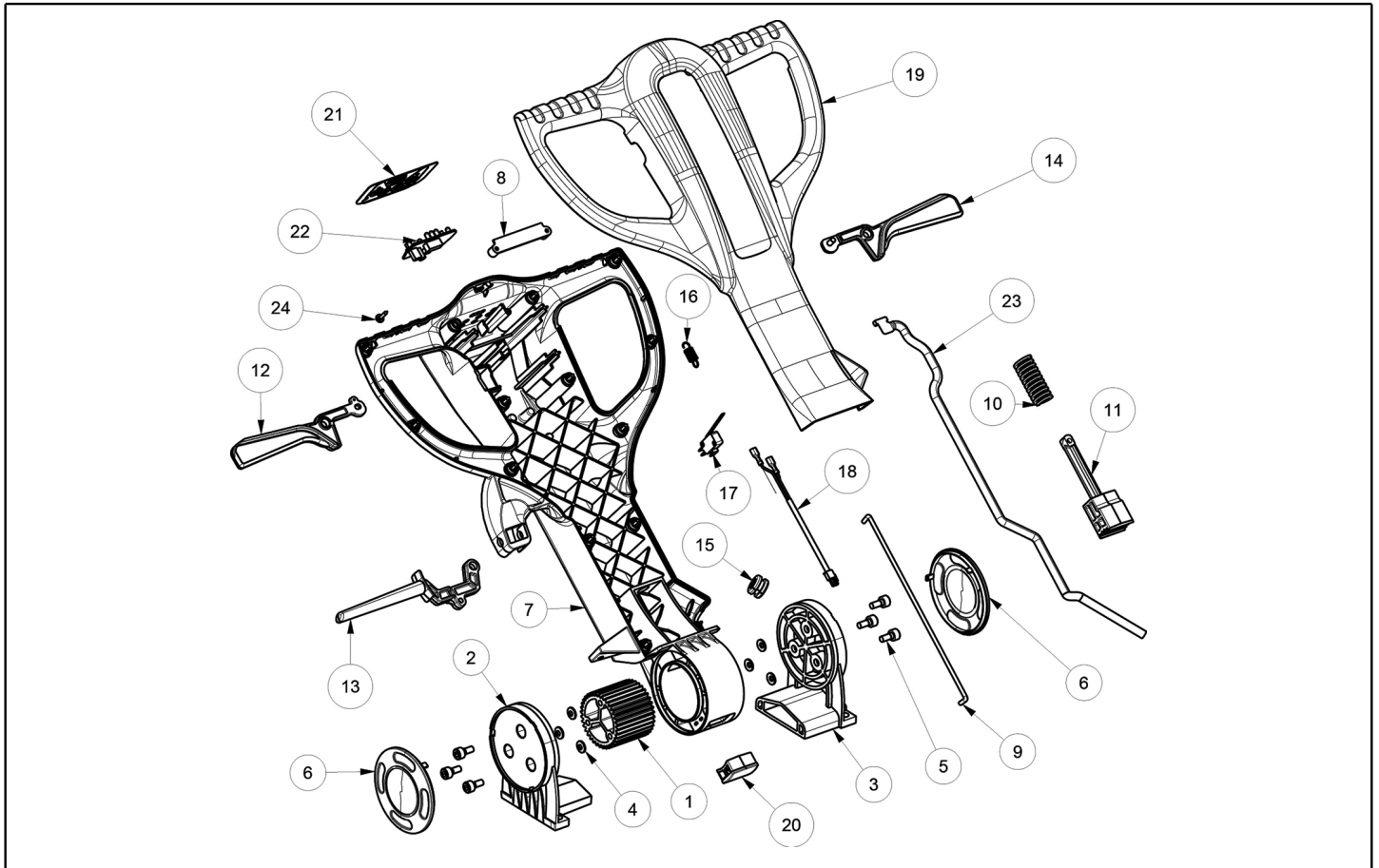
Ref. K	Part n.	Customer part n.	Description	Quantity	Validity		Price
					From	To	
0046	VTVT01110	05000	SCREW TE 8X16 UNI5739	2,00			--
0047	VTDD00124	SL05001	NUT M 8 BASSO	4,00			--
0048	SPPV01552		BRUSH CT15R	1,00			--
0049	VTRS13946	SL06025	WASHER D. 8 X24 INX UNI 6593	2,00			--
0050	VTVT00757	SL04229	SCREW	1,00			--
0051	VTVT75724	1105231	SCREW TBCE ISO 7380 8X22 ZB	4,00			--
0052	VTRS63242	1105325	WASHER UNI 6593 6X24X2 ZB	1,00			--
0053	VTRS00503	05118	WASHER D. 6 TE UNI 6798	1,00			--
0054	VTVT00787	SL04278	SCREW TBEI M 6-16	1,00			--
0055	LAFN11012		BRACKET -	1,00			--
0056	VTVT00711	SL04159	SCREW TTQ	4,00			--
0057	RCVR00004	1255003	CONNECTOR PORTAGOMMA 1/8" D.7	1,00			--
0058	LAFN05830	SL39298	NET FERMA FILTRO INOX	1,00			--
0059	GUGO00503		GASKET	1,00			--
0060	MPVR10741		BUMPER -	1,00			--



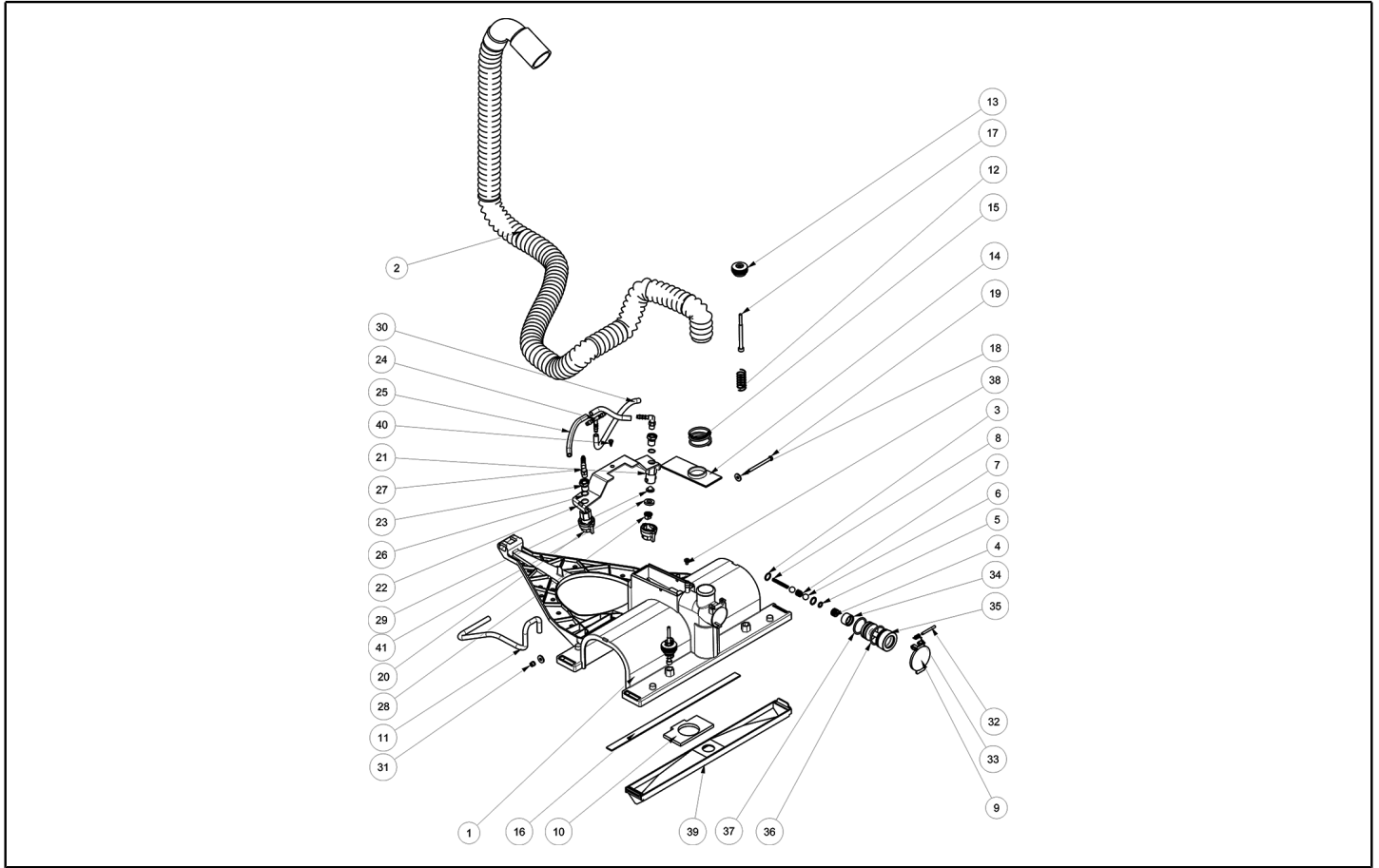
Ref. K	Part n.	Customer part n.	Description	Quantity	Validity		Price
					From	To	
0001	MPVR06515		TANK -	1,00			--
0002	MPVR06517		CRANKCASE -	1,00			--
0003	MPVR05823		TANK RECOVERY CT15	1,00			--
0004	MPVR06516		FLANGE -	1,00			--
0005	VTVT00875	SL04396	SCREW TC+ 5X25	3,00			--
0006	MPVR05828		COVER BATTERY CHARGER CT15	1,00			--
0007	MPVR05826		COVER -	1,00			--
0008	MPVR05825		COVER -	1,00			--
0009	GUVR00306		GASKET -	1,00			--
0010	GUVR00307		GASKET -	1,00			--
0011	VTVT01694		SCREW TCB TC 5 X10 UNI 9707 TZ	8,00			--
0012	LAFN07923		SPACER -	1,00			--
0013	VTRS00573		WASHER 30x6x3	1,00			--
0014	MPVR06005		FLOATER CT15-CT30 ZAOH	1,00			--
0015	VTVT01197		SCREW TCIC 4,8X31	1,00			--
0016	TBFX00346		TUBE DRAIN RECOVERY TANK CT15	1,00			--
0017	MPVR05188		CAP SOLUTION TANK	1,00			--
0018	VTVT01432		SCREW 50X10	3,00			--
0019	RCVR34780		ELBOW 1/8" M/F A10	1,00			--
0020	RCGR00008	1320088	VALVE A SFERA MF 1/8"	1,00			--
0021	RCVR00004	1255003	CONNECTOR PORTAGOMMA 1/8" D.7	1,00			--
0022	MPVR08003		CAP	1,00		02/11/2016	--
0022	MPVR10774		CAP 1/2"	1,00	03/11/2016		--
0023	VTRS13945	SL06039	WASHER D. 6X18 INX UNI 6593	2,00			--
0024	VTVT00433		SCREW TE M 6X 30 UNI 5739 INX	2,00			--
0025	LAFN08893		PLATE -	1,00			--
0026	BACA00152		BATTERY-CHARGER CBHD1 24V 5A	1,00			--
0027	MECE00742		BOARD POWER CT15-30-45B-BT	1,00			--
0028	VTVT09841		SCREW TE M 4X 10 ZC. UNI 5739	4,00			--
0029	VTRS00377		WASHER M4	4,00			--
0030	VTDD04368	05090	NUT M 4 ZIN UNI 5588	4,00			--
0031	VTDD04369	75259	NUT M 4 TEF UNI 7473	2,00			--
0032	VTVT75733	1105784	SCREW TBCE ISO 7380 5X12 ZB	4,00			--
0033	VTVT29884	1105002	SCREW TE UNI 5739 4X16 ZB	1,00			--
0034	VTRS00251	SL06031	WASHER 4-16 INOX A2	1,00			--
0035	VTDD15925	SL05078	NUT M 4 INX	1,00			--
0036	VTVT00640	SL04027	SCREW TBEI M 6-12 INOX	2,00			--
0037	BAAC00114		BATTERY 12V 29Ah/C5 CT15	2,00			--
0038	MPVR05907		PROTECTION	1,00			--
0039	MPVR06518		COVER -	1,00			--
0040	MPVR08038		PLATE CT15-30	1,00			--
0041	VTDD00055	75289	NUT M 4 ATB A2	1,00			--
0042	VTRS00515	SL06032	WASHER D. 4 INX	1,00			--
0043	VTVT15965	SL04346	SCREW TCB-TC 4X12 UNI7687 INX	1,00			--



Ref. K	Part n.	Customer part n.	Description	Quantity	Validity		Price
					From	To	
0044	F5VR00002	1500003	CLAMP EKOFLEX 9 23-35	1,00			--
0045	MECB01358		WIRING WITH FUSE HOLDER CT15B	1,00			--
0046	MPVR06568		HOSE COLLAR -	1,00			--
0047	LAFN11011		BRACKET -	1,00			--
0048	MECE00621		BOARD	1,00			--
0049	VTRS00501	05109	WASHER D. 4 0.232 UNI 6592	1,00			--
0050	VTVT09841		SCREW TE M 4X 10 ZC. UNI 5739	1,00			--
0053	MPVR10801		CAP IEC	1,00			--

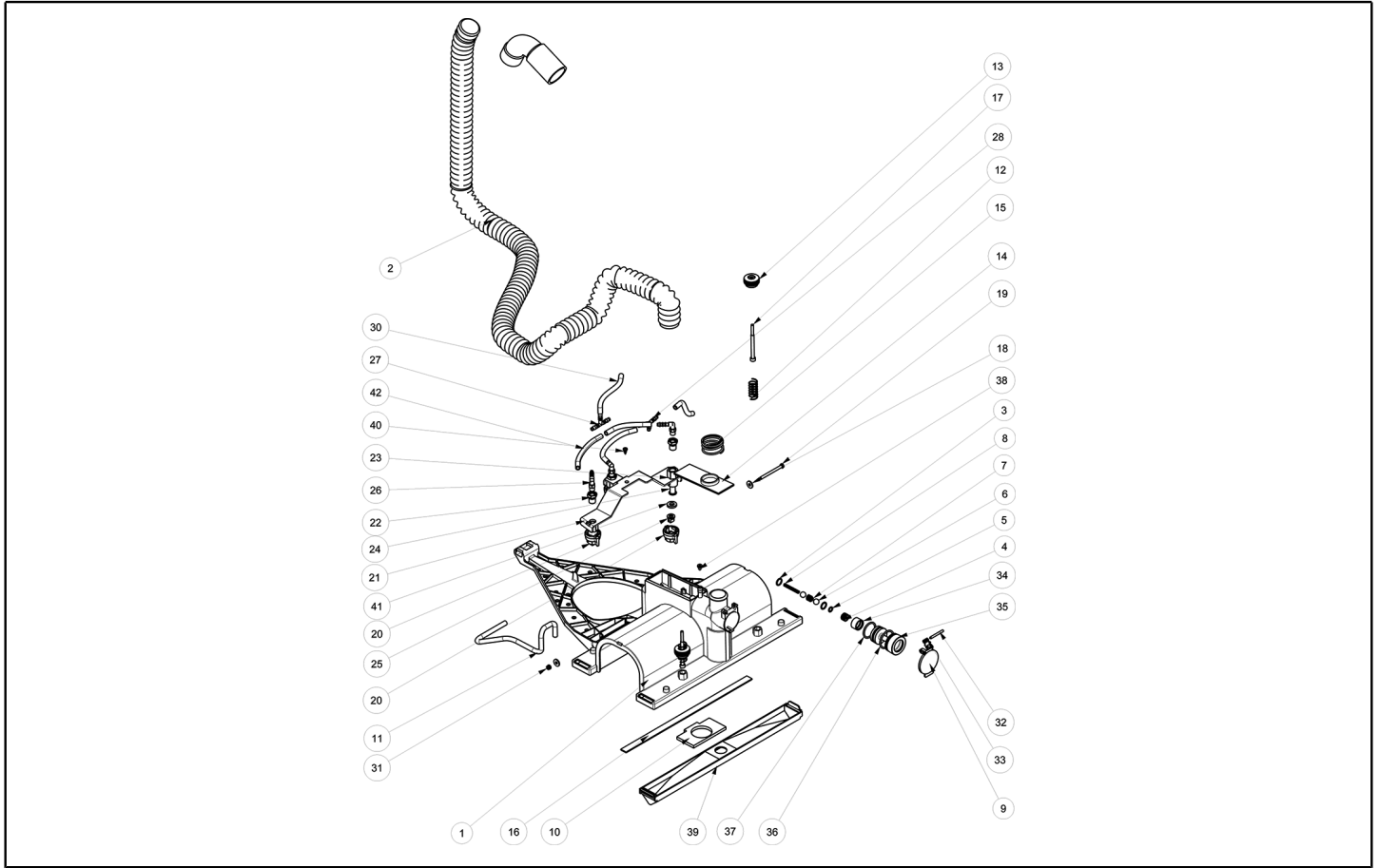


Ref. K	Part n.	Customer part n.	Description	Quantity	Validity		Price
					From	To	
0001	MPVR06056		GEAR -	1,00			--
0002	MPVR06053		SHELL DX	1,00			--
0003	MPVR06054		SHELL SX	1,00			--
0005	VTVT00876	SL04397	SCREW TCEI M.8-16	6,00			--
0006	MPVR06055		COVER -	2,00			--
0007	MPVR06047		CRANKCASE -	1,00			--
0008	MPVR06298		SUPPORT ELECTRONIC CARD	1,00			--
0009	LAFN09221		LEVER RINVIO	1,00			--
0010	MLML00337		SPRING -	1,00			--
0011	MPVR06052		HANDLE SUPPORT	1,00			--
0012	MPVR06049		LEVER DX	1,00			--
0013	MPVR06050		LEVER ADJUSTMENT	1,00			--
0014	MPVR06048		LEVER SX	1,00			--
0015	MPVR06057		FAIR-LEAD -	1,00			--
0016	MLML00336		SPRING -	1,00			--
0017	MECI36393	SL23109	MICROSWITCH TRZ. DRW	1,00			--
0018	MECB01324		WIRING PUSH BOTTON CT45 C	1,00			--
0019	MPVR06046		CRANKCASE NEW HANDLE FRONT 15-30-45	1,00			--
0020	MPVR06297		COVER CT55	1,00			--
0021	ETET01842		LABEL -	1,00			--
0022	MECE00605		BOARD LOGIC CT30 24V	1,00			--
0023	MECB01396		WIRING	1,00			--
0024	VTVT01371		SCREW 4,8X19	14,00			--



Ref. K	Part n.	Customer part n.	Description	Quantity	Validity		Price
					From	To	
0001	MPVR10609		SUPPORT SQUEEGEE	1,00			--
0002	TBFX00376		TUBE -	1,00			--
0003	GUGO00164	SL03199	GASKET	1,00			--
0004	RCDS34777	SL07307	BUSHING D.20 OTT.	1,00			--
0005	GUGO00165	SL03200	GASKET	1,00			--
0006	SFVR34773	SL14152	BALL D. 7/16" PPH	2,00			--
0007	MLML00184	SL13077	SPRING COMPRESSIONE D.10-1	1,00			--
0008	MLML34772	SL13059	SPRING D. 5 X40	1,00			--
0009	MPVR34711	SL17254	COVER E 350N	1,00			--
0010	GUGO38416	SL03351	GASKET E350 II	1,00			--
0012	MLML00302		SPRING REGISTRAZIONE FLAP	2,00			--
0013	MPVR05627		KNOB -	2,00			--
0014	MPVR02180	MP17252-1	CAP	1,00			--
0015	MLML00475		SPRING -	1,00			--
0016	MPVR03455	SL17255	BRACKET	1,00			--
0017	VTVT01175		SCREW M6x80	2,00			--
0018	VTRS13750	SL06038	WASHER D. 5X14 INX	2,00			--
0019	VTVT00663	SL04071	SCREW M5X60	1,00			--
0020	MPVR10593		RING NUT	2,00			--
0021	MPVR10592		CONNECTOR	2,00			--
0022	LAFN11017		SPACER -	1,00			--
0023	RCVR01106		CONNECTOR 1/4G-D8	2,00			--
0024	RCVR00083	1255061	CONNECTOR A "T"	1,00			--
0026	GUGO00501		GASKET	2,00			--
0027	RCVR00084	1255062	CONNECTOR A "L"	2,00			--
0028	UGLN00053		NOZZLE	2,00			--
0029	FTDP00677		FILTER -	2,00			--
0031	VTDD01693	SL05087	NUT M 5 INX	1,00			--
0032	VTVR34710	SL07204	PLUG 4X35	1,00			--
0033	MLML34775	SL13057	SPRING E350 N	1,00			--
0034	LAFN03904	SL07378		1,00			--
0035	LAFN11050		INSERT -	1,00			--
0036	GUGO00488		GASKET -	1,00			--
0037	GUGO00500		GASKET	1,00			--
0038	UGLN00052		NOZZLE	1,00			--
0039	MPVR10747		BODY -	1,00			--
0040	VTVT48694	SL04371	SCREW TCB TC 5 X12 UNI 9707 TZ	1,00			--
0041	GUGO00507		GASKET NBR	2,00			--





Ref. K	Part n.	Customer part n.	Description	Quantity	Validity		Price
					From	To	
0001	MPVR10609		SUPPORT SQUEEGEE	1,00			--
0002	TBFX00376		TUBE -	1,00			--
0003	GUGO00164	SL03199	GASKET	1,00			--
0004	RCDS34777	SL07307	BUSHING D.20 OTT.	1,00			--
0005	GUGO00165	SL03200	GASKET	1,00			--
0006	SFVR34773	SL14152	BALL D. 7/16" PPH	2,00			--
0007	MLML00184	SL13077	SPRING COMPRESSIONE D.10-1	1,00			--
0008	MLML34772	SL13059	SPRING D. 5 X40	1,00			--
0009	MPVR34711	SL17254	COVER E 350N	1,00			--
0010	GUGO38416	SL03351	GASKET E350 II	1,00			--
0012	MLML00302		SPRING REGISTRAZIONE FLAP	2,00			--
0013	MPVR05627		KNOB -	2,00			--
0014	MPVR02180	MP17252-1	CAP	1,00			--
0015	MLML00475		SPRING -	1,00			--
0016	MPVR03455	SL17255	BRACKET	1,00			--
0017	VTVT01175		SCREW M6x80	2,00			--
0018	VTRS13750	SL06038	WASHER D. 5X14 INX	2,00			--
0019	VTVT00663	SL04071	SCREW M5X60	1,00			--
0020	MPVR10593		RING NUT	3,00			--
0021	LAFN11161		BRACKET	1,00			--
0022	RCVR01106		CONNECTOR 1/4G-D8	3,00			--
0023	MPVR10592		CONNECTOR	3,00			--
0024	FTDP00766		FILTER -	3,00			--
0025	UGLN00051		NOZZLE	3,00			--
0026	RCVR00084	1255062	CONNECTOR A "L"	3,00			--
0027	RCVR00083	1255061	CONNECTOR A "T"	1,00			--
0028	RCVR01727		CONNECTOR -	1,00			--
0031	VTDD01693	SL05087	NUT M 5 INX	1,00			--
0032	VTVR34710	SL07204	PLUG 4X35	1,00			--
0033	MLML34775	SL13057	SPRING E350 N	1,00			--
0034	LAFN03904	SL07378		1,00			--
0035	LAFN11050		INSERT -	1,00			--
0036	GUGO00488		GASKET -	1,00			--
0037	GUGO00500		GASKET	1,00			--
0038	UGLN00052		NOZZLE	1,00			--
0039	MPVR10747		BODY -	1,00			--
0040	VTVT48694	SL04371	SCREW TCB TC 5 X12 UNI 9707 TZ	1,00			--
0041	GUGO00507		GASKET NBR	3,00			--