

IPC Integrated Professional Cleaning

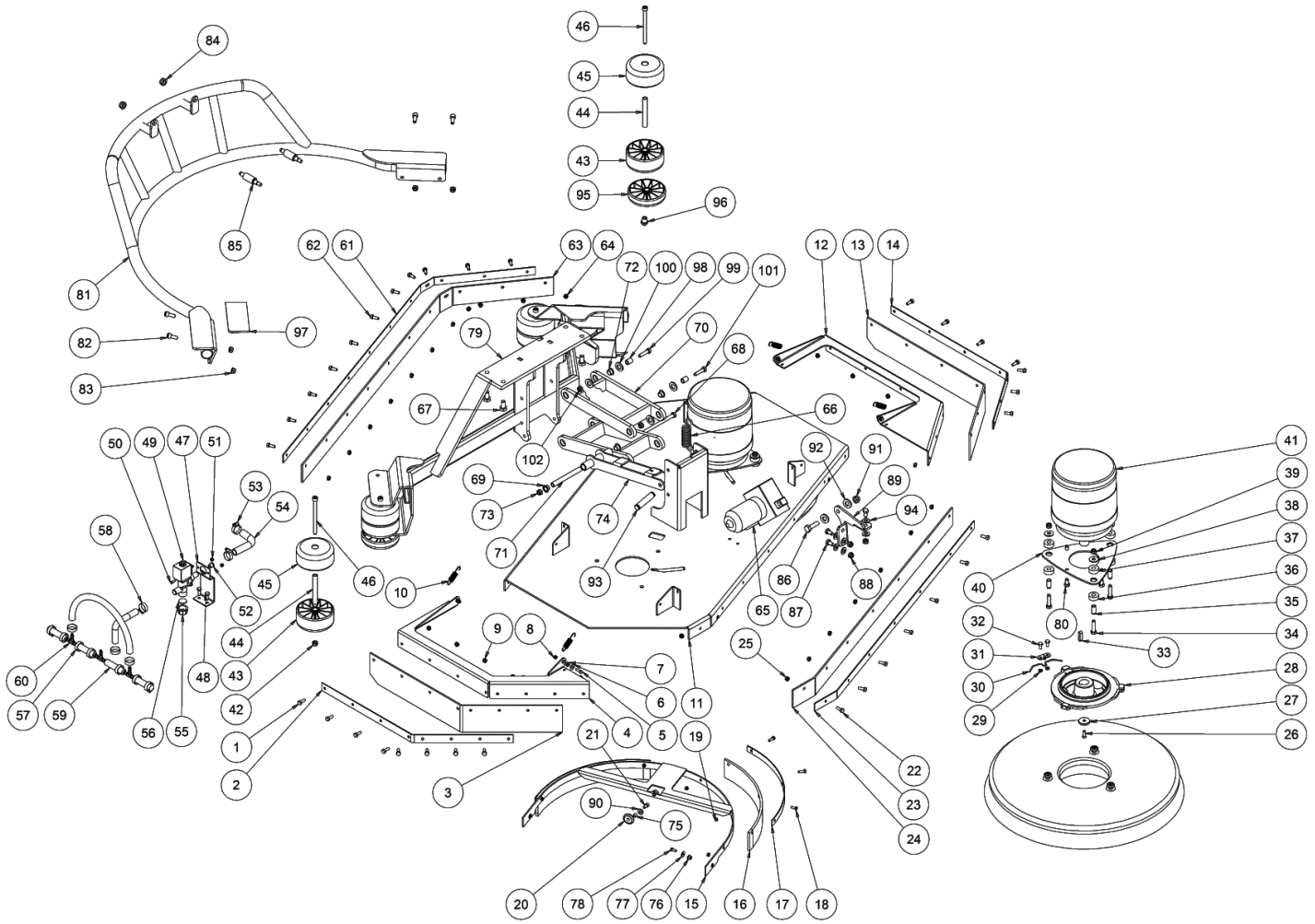
IPC Gansow

Spare Parts List

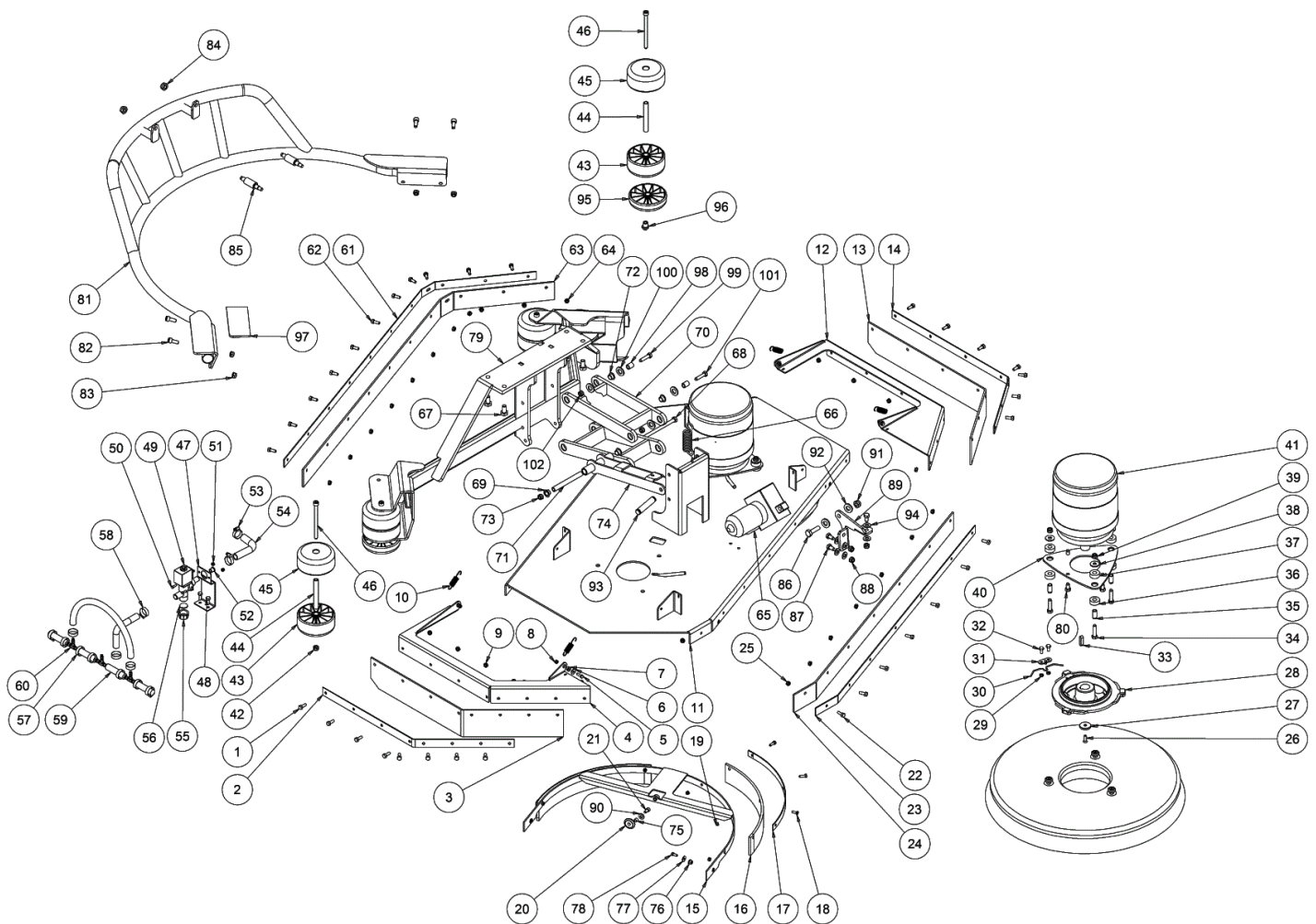
IPC EAGLE

Ref: LPTB02037

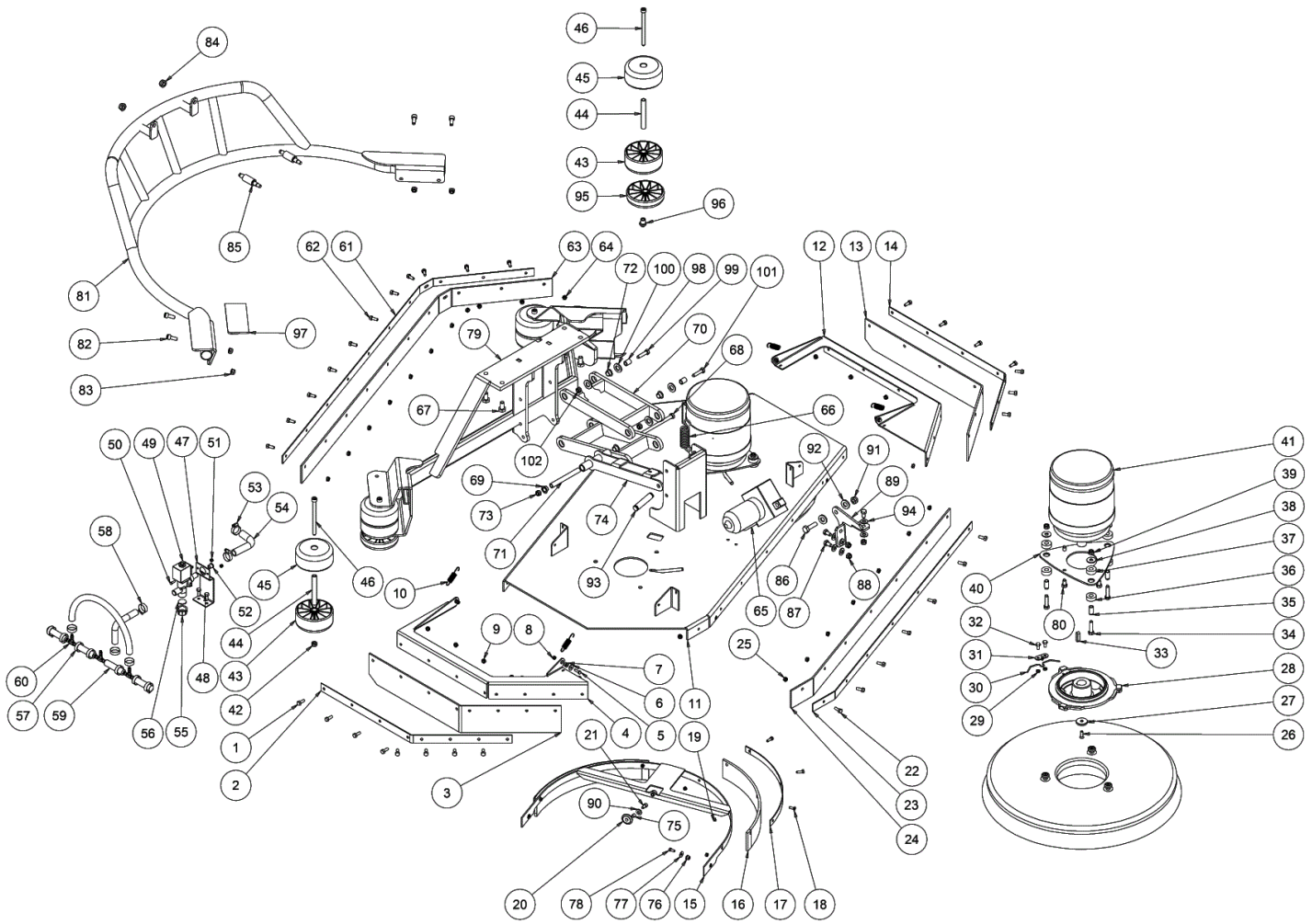
Model: CT230 BT105+CD GR/VE



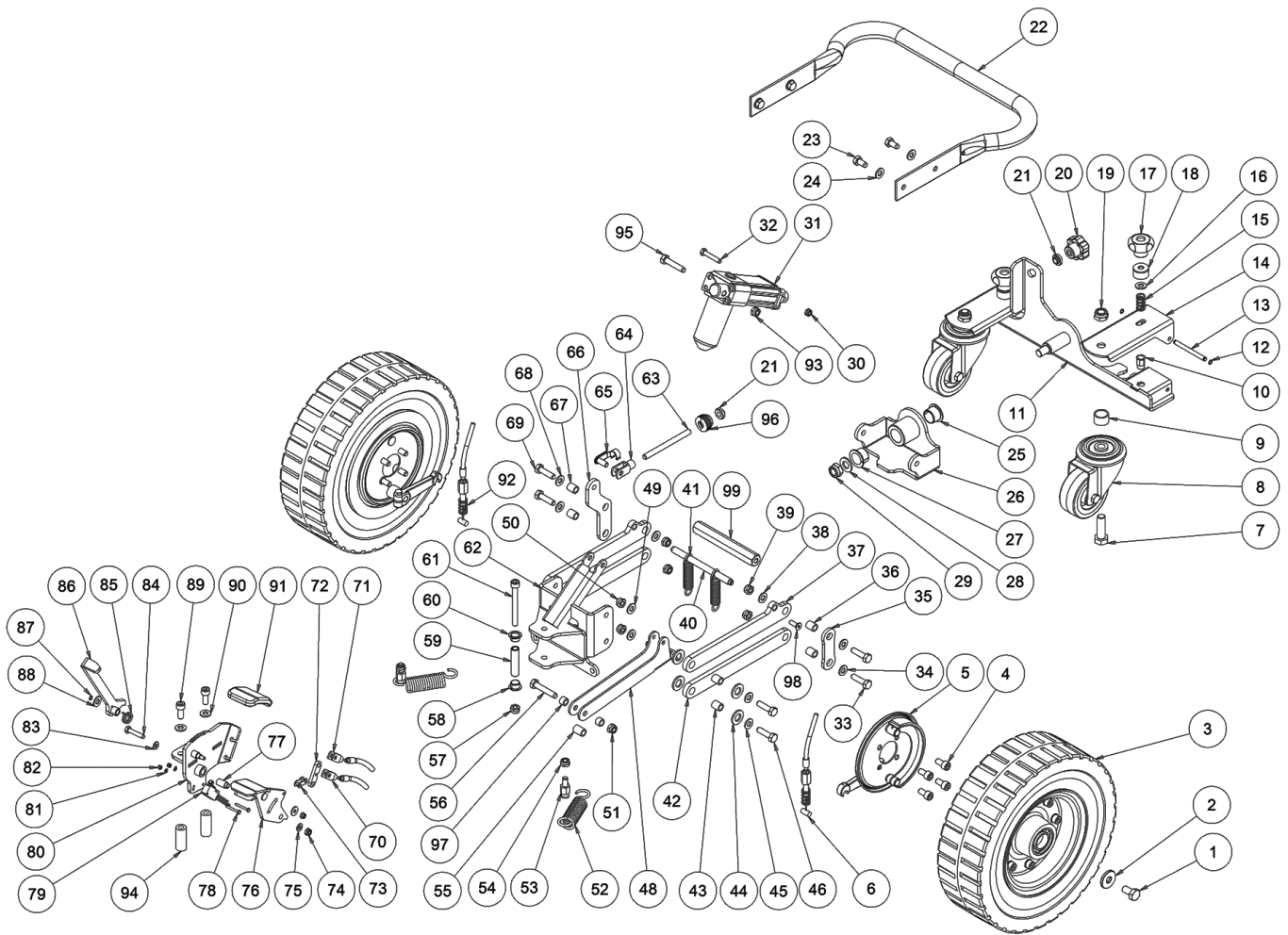
Ref.	K	Part N.	Customer Part N.	Description	Qty	Validity:		Price
						From	To	
0001		VTVT15143		SCREW TE 6X16 UNI5739	15,00			--
0002		LAFN07005		BRACKET -	1,00			--
0003		MPVR05037		FLAP	1,00			--
0004		LAFN07013		PLANE -	1,00			--
0005		VTVT07725		SCREW TE 5X16 UNI5739 INX	4,00			--
0006		VTRS13750		WASHER D. 5X14 INX	4,00			--
0007		CUVR00140		BUSHING DI CENTRAGGIO SPAZZOLE	4,00			--
0008		VTDD01693		NUT M 5 INX	4,00			--
0009		VTDD01694		NUT M6 INOX	15,00			--
0010		MLML02801		SPRING FLAP LATER.	4,00			--
0011		LAFN06988		SUPPORT -	1,00			--
0012		LAFN07012		PLANE -	1,00			--
0013		MPVR05038		FLAP	1,00			--
0014		LAFN07006		BRACKET -	1,00			--
0015		LAFN06989		SUPPORT -	2,00			--
0016		MPVR05034		FLAP	4,00			--
0017		LAFN07002		BRACKET -	4,00			--
0018		VTVT07725		SCREW TE 5X16 UNI5739 INX	12,00			--
0019		VTDD01693		NUT M 5 INX	12,00			--
0020		CUVR00184		BEARING -	2,00			--
0021		VTVT00717		SCREW TCEI M. 6-16	2,00			--
0022		VTVT15143		SCREW TE 6X16 UNI5739	7,00			--
0023		LAFN07003		BRACKET -	1,00			--
0024		MPVR05035		FLAP	1,00			--
0025		VTDD01694		NUT M6 INOX	7,00			--
0026		VTVT13940		SCREW M 6X 20 TSPEI UNI 5933	2,00			--
0027		LAFN04146		WASHER FISSA PIATTI	2,00			--
0028		MFVR00139		DRIVE DISK SPAZZOLE P185	2,00			--
0029		LAFN04140		SPACER X MOLLA	4,00			--
0030		MLML00240		SPRING PIATTO SPAZZOLA P185	2,00			--
0031		LAFN05797		PLATE FERMO MOLLA	2,00			--
0032		VTVT15906		SCREW TE 6X 12 A2 UNI 5739	4,00			--
0033		VTVR14052		KEY 8X 7X30 UNI 6604A	2,00			--
0034		VTVT00410		SCREW TE M8x35 UNI5739 INOX	6,00			--
0035		LAFN04141		PIN PIASTRA MOTORE	6,00			--
0036		GUGO00264		WASHER ELASTOMERO	6,00			--
0037		GUGO00264		WASHER ELASTOMERO	6,00			--
0038		VTRS16323		WASHER D. 8 X32 UNI 6593 INX	6,00			--
0039		VTDD01695		NUT M 8 INX	6,00			--



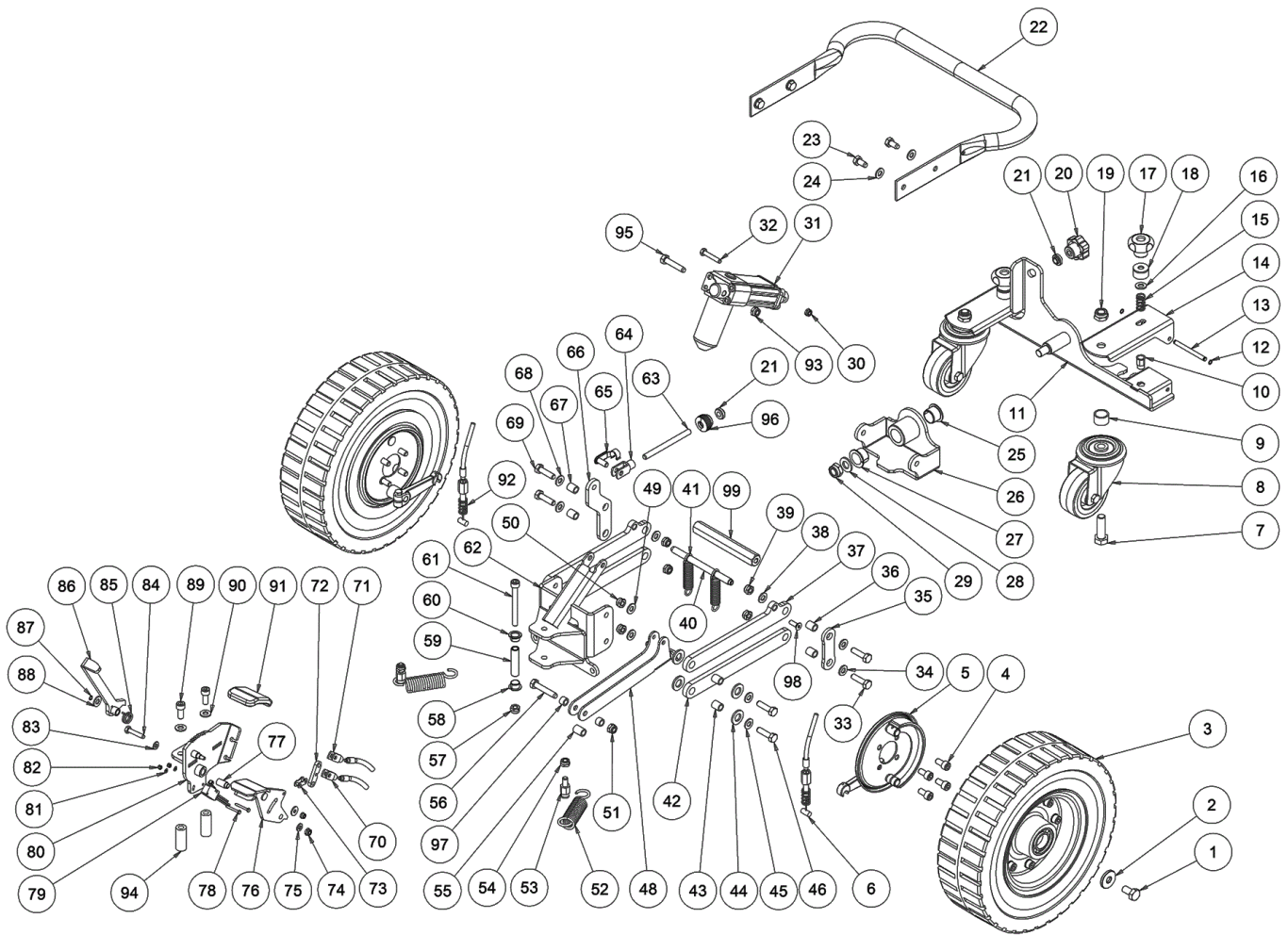
Ref.	K	Part N.	Customer Part N.	Description	Qty	Validity:		Price
						From	To	
0040		LAFN05785		FLANGE PORTAMOTORE	2,00			--
0041		MOCC00195		MOTOR	2,00			--
0042		VTDD01695		NUT M 8 INX	5,00			--
0043		RTRT00510		WHEEL ANTIRIBALTAMENTO	5,00			--
0044		LAFN04127		PIN RULLO PARACOLPI	5,00			--
0045		RTRT00510		WHEEL ANTIRIBALTAMENTO	5,00			--
0046		VTVT67560		SCREW TCEI M8X110 INOX AISI 304	5,00			--
0047		LAFN05835		BRACKET PORTAELETTROVALVOLA	1,00			--
0048		VTVT15143		SCREW TE 6X16 UNI5739	2,00			--
0049		MEEV00021		SOLENOID VALVE RIF. D160SS10/K/20Z	1,00		10/2011	--
0049		MEEV00043		SOLENOID VALVE	1,00	10/2011		--
0050		VTVT00817		SCREW TE M4x12 UNI 5739 INOX	2,00			--
0051		VTDD00147		NUT M 4 INX U.5588	2,00			--
0052		MPVR02897		REDUCTION D.10-6.5 PER ELETTROVALV.	1,00		05/2011	--
0053		FSVR00096		CLAMP 10-16 INOX	4,00			--
0054		TBFX48011		TUBE FLEX D.12X3 ARMORV.PVC TR	0,50			--
0055		RCVR00353		CAP 1/2"G X ELETTROV. ACL	1,00		10/2011	--
0056		GUGO00268		GASKET D.21 SP.3 GOMMA	1,00		10/2011	--
0057		FSVR00255		CLAMP -	1,00			--
0058		FSVR00255		CLAMP -	3,00			--
0059		TBBP00146		CARRYNG BAG	0,50			--
0060		RCVR00483		CONNECTOR 3 VIE	3,00			--
0061		LAFN07004		BRACKET -	1,00			--
0062		VTVT15143		SCREW TE 6X16 UNI5739	11,00			--
0063		MPVR05036		FLAP	1,00			--
0064		VTDD01694		NUT M6 INOX	11,00			--
0065		MOCC00388		ATUATOR	1,00			--
0066		MLML00241		SPRING TESTATA SPAZZOLA P185	1,00			--
0067		VTVT13936		SCREW TE M 10X 20	4,00			--
0068		VTVT01159		SCREW M8x130	1,00			--
0069		CUVR00130		BEARING STRISCIAMENTO	2,00			--
0070		LAFN07958		BRACKET BRUSH HEAD ACTUATOR CT230	2,00	07/2012		--
0070		LAFN08801		ARM -	2,00		07/2012	--
0071		LAFN07878		BUSHING -	1,00			--
0072		CUVR00130		BEARING STRISCIAMENTO	8,00			--
0073		VTDD01695		NUT M 8 INX	1,00			--
0074		LAFN08802		ARM -	1,00			--
0075		LAFN03840		BUSHING	2,00			--
0076		CUVR00140		BUSHING DI CENTRAGGIO SPAZZOLE	4,00			--



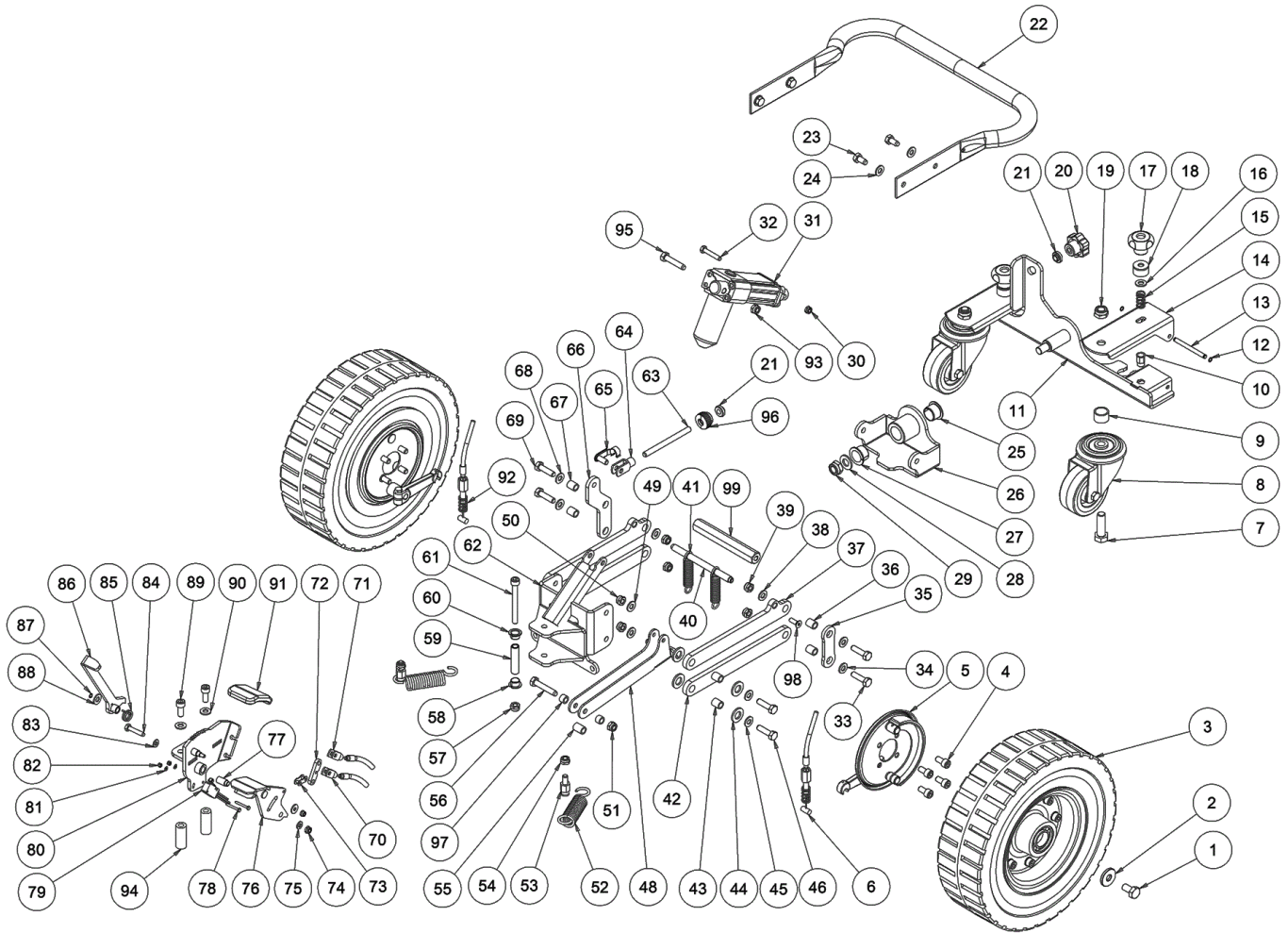
Ref.	K	Part N.	Customer Part N.	Description	Qty	Validity:		Price
						From	To	
0077		VTRS13750		WASHER D. 5X14 INX	4,00			--
0078		VTVT01300		SCREW TE M5X12 INOX	4,00			--
0079		LAFN06990		BRACKET ROLL BAR	1,00			--
0080		VTVT15916		SCREW TE M 8X 16 UNI 5739 A2	8,00			--
0081		LAFN07870		BUMPER -	1,00			--
0082		VTVT13944		SCREW TCEI M 8X20 UNI 5931 INX	4,00			--
0083		VTDD01695		NUT M 8 INX	4,00			--
0084		VTDD15519		NUT M10 INOX	2,00			--
0085		LAFN07871		BRACKET -	2,00			--
0086		VTVT01541		SCREW TE M 10x30 INOX UNI5739	1,00			--
0087		VTVT15907		SCREW TE 8X25 UNI5739 INX	3,00			--
0088		VTDD01695		NUT M 8 INX	3,00			--
0089		LAFN07877		BRACKET -	1,00			--
0090		VTRS00245		WASHER D.6 UNI 6592 INOX	2,00			--
0091		VTDD10310		NUT AUTOBL.M10 INOX DIN 985	1,00			--
0092		VTRS15523		WASHER D.10 X21 INOX UNI 6592	2,00			--
0093		LAFN51065		PIN INFER.ATTUAT.TEST.	1,00			--
0094		VTRS13947		WASHER D. 8 INX UNI 6592	6,00			--
0095		MPVR05290		ROLLER PARACOLPI	2,00			--
0096		LAFN09007		PIN -	2,00			--
0097		MPVR00866		PLANE ANTISDRUCCIOLO G1050	2,00			--
0098		LAFN08907		SPACER 12-8	8,00	07/2012		--
0099		VTVT00410		SCREW TE M8x35 UNI5739 INOX	4,00	07/2012		--
0100		VTRS15978		WASHER D.12X24 UNI 6592 INX	16,00	07/2012		--
0101		VTVT13937		SCREW TE M 8X 30 INX UNI 5739	4,00	07/2012		--
0102		VTDD01695		NUT M 8 INX	8,00	07/2012		--



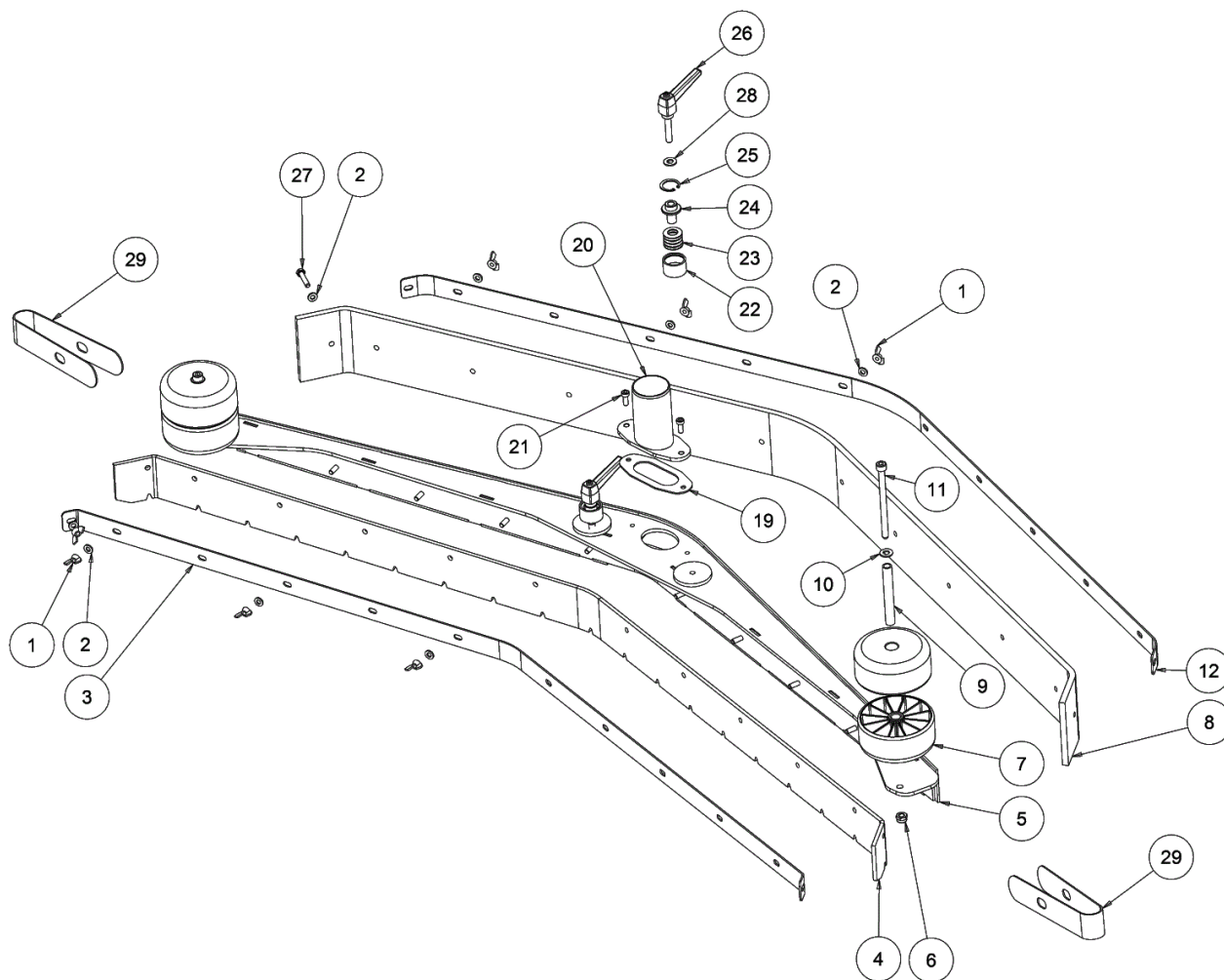
Ref. K	Part N.	Customer Part N.	Description	Qty	Validity:		Price
					From	To	
0001	VTVT13936		SCREW TE M 10X 20	2,00			--
0002	LAFN04144		WASHER RUOTE POSTERIORI	2,00			--
0003	RTRT00538		WHEEL REAR 4.00-6 PU CT230	2,00			--
0004	VTVT00876		SCREW TCEI M.8-16	8,00			--
0005	RTRT45090		BLOCK BRAKE D.125 TK	2,00			--
0006	CMCV00335		CABLE 4x	1,00			--
0007	VTVT28885		SCREW TE M 12X 50 UNI 5739 INOX	2,00			--
0008	RTRT00396		WHEEL -	2,00		01/2014	--
0008	RTRT00518		WHEEL CASTOR D.80X30	2,00	01/2014		--
0009	LAFN09002		THICKNESS -	2,00			--
0010	VTVR00022		INSERT FILETTATO ESAGONALE M8	2,00			--
0011	LAFN08810		SUPPORT -	1,00			--
0012	VTAE48552		CIRCLIP D. 6 UNI 7435	4,00			--
0013	LAFN04150		PIN BRACCIO RUOTA TERGI P185	2,00			--
0014	LAFN08993		ARM PORTARUOTA TERGI P185	2,00			--
0015	MLML00239		SPRING PER RUOTE TERGI P185	2,00			--
0016	VTRS13947		WASHER D. 8 INX UNI 6592	2,00			--
0017	VTVR35378		HANDWHEEL F 8MAX20 D.40	2,00			--
0018	ABGO00042		VIBRATION DAMP.REGOLAZIONE TERGI CLT160	2,00			--
0019	VTDD00176		NUT M.12 INOX A2 BASSO AUTOB.	2,00			--
0020	VTVT00207		HANDWHEEL M8	1,00			--
0021	LAFN08811		BUSHING -	2,00			--
0022	LAFN06275		TUBE ROLL BAR POSTER.CLT160	1,00			--
0023	VTVT15916		SCREW TE M 8X 16 UNI 5739 A2	4,00			--
0024	VTRS13947		WASHER D. 8 INX UNI 6592	4,00			--
0025	CUVR44216		BUSHING CB 85 2015 31T	1,00			--
0026	LAFN08812		BRACKET -	1,00			--
0027	CUVR44216		BUSHING CB 85 2015 31T	1,00			--
0028	VTRS15978		WASHER D.12X24 UNI 6592 INX	1,00			--
0029	VTDD00176		NUT M.12 INOX A2 BASSO AUTOB.	1,00			--
0030	VTDD01694		NUT M6 INOX	1,00			--
0031	MOCC00394		ATUATOR	1,00			--
0032	VTVT00433		SCREW TE M 6X 30 UNI 5739 INX	1,00			--
0033	VTVT13937		SCREW TE M 8X 30 INX UNI 5739	2,00			--
0034	VTRS13947		WASHER D. 8 INX UNI 6592	2,00			--
0035	LAFN08806		CONNECTING ROD -	1,00			--
0036	LAFN04151		BUSHING X PARALLELOGRAMMA	2,00			--
0037	LAFN08804		SPACER -	2,00			--
0038	VTRS13947		WASHER D. 8 INX UNI 6592	2,00			--



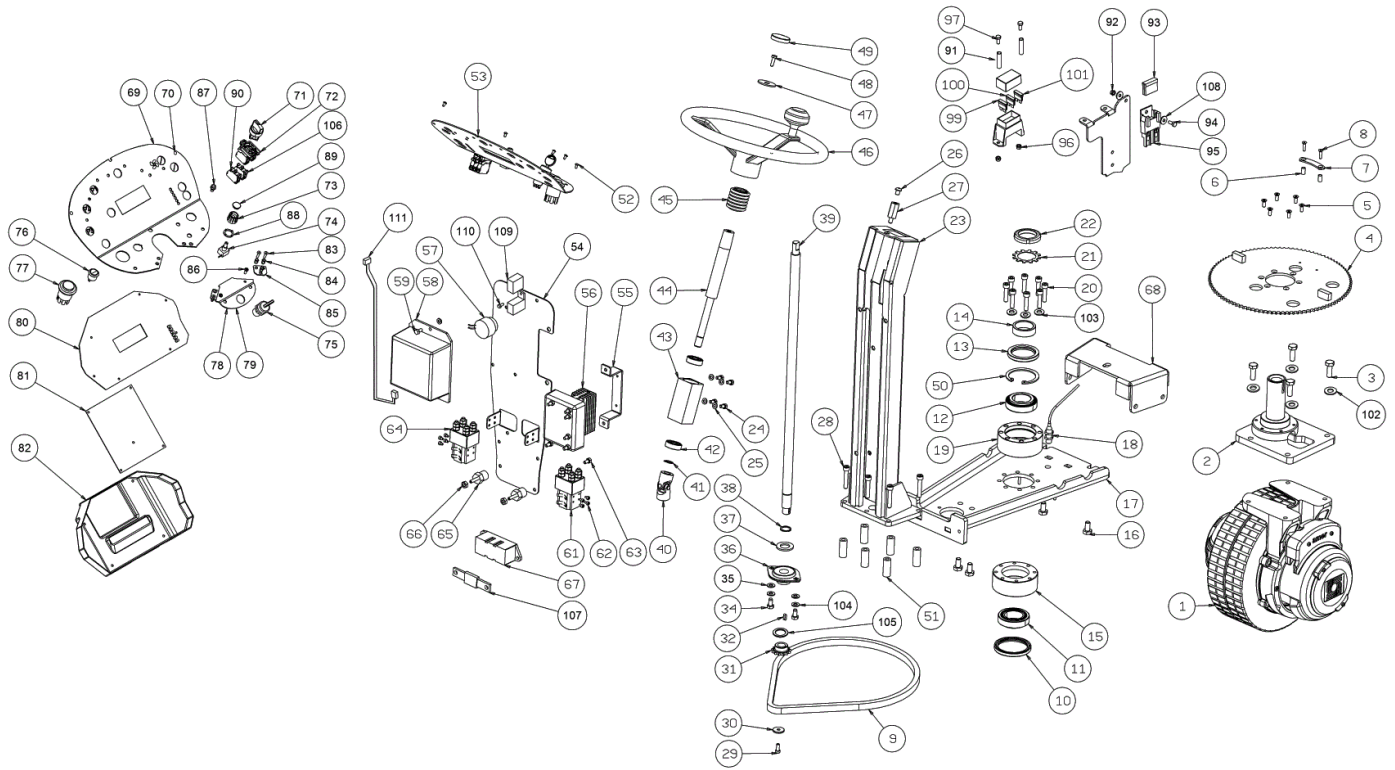
Ref.	K	Part N.	Customer Part N.	Description	Qty	Validity:		Price
						From	To	
0039		VTDD01695		NUT M 8 INX	2,00			--
0040		LAFN08808		PIN -	1,00			--
0041		MLML00022		SPRING GANCIO ARPIONE	2,00			--
0042		LAFN08805		ARM -	2,00			--
0043		LAFN04151		BUSHING X PARALLELOGRAMMA	4,00			--
0044		VTRS15978		WASHER D.12X24 UNI 6592 INX	8,00			--
0045		VTRS13947		WASHER D. 8 INX UNI 6592	4,00			--
0046		VTVT01050		SCREW TE M 8X30 INX UNI 5737	4,00			--
0048		LAFN05777		LEVER SOLLEVAMENTO TERGI	1,00			--
0049		VTRS13947		WASHER D. 8 INX UNI 6592	4,00			--
0050		VTDD01695		NUT M 8 INX	4,00			--
0051		VTDD01695		NUT M 8 INX	1,00			--
0052		MLML00241		SPRING TESTATA SPAZZOLA P185	2,00			--
0053		LAFN04143		PIN FISSA MOLLA	2,00			--
0054		VTDD01695		NUT M 8 INX	2,00			--
0055		LAFN04139		SPACER SNODO TERGI	1,00			--
0056		VTVT15371		SCREW TE M 8X45 INOX A2 UNI	1,00			--
0057		VTDD01695		NUT M 8 INX	1,00			--
0058		CUVR00130		BEARING STRISCIAMENTO	1,00			--
0059		LAFN07879		BUSHING -	1,00			--
0060		CUVR00130		BEARING STRISCIAMENTO	1,00			--
0061		VTVT01148		SCREW TCEI M8X70	1,00			--
0062		LAFN08809		ARTICULATION -	1,00			--
0063		CMCV00181		TIE ROD M8X100	1,00			--
0064		CMCV00001		FORK UNI 1676 M8X16	1,00			--
0065		CMCV75718		CLIP UNI 1676 M8	1,00			--
0066		LAFN08807		CONNECTING ROD -	1,00			--
0067		LAFN04151		BUSHING X PARALLELOGRAMMA	2,00			--
0068		VTRS15146		WASHER D. 8 INX GRW UNI 1751	2,00			--
0069		VTVT00410		SCREW TE M8x35 UNI5739 INOX	2,00			--
0072		LAFN05769		BALANCER PER CAVI FRENO	1,00			--
0073		MTCR47037		WARP KNITTING 3/8	1,00			--
0074		VTDD15518		NUT M 6 INX	1,00			--
0075		VTRS13945		WASHER D. 6X18 INX UNI 6593	1,00			--
0076		LAFN05767		ASSEMBLED PEDALE FRENO	1,00			--
0077		LAFN04142		PIN PEDALE FRENO	1,00			--
0078		VTVT01350		SCREW M3-20 INOX	2,00			--
0079		MECI44780		MICROSWITCH D2VW-5L2A-1M OMR	1,00			--
0080		LAFN05766		SUPPORT PEDALE CPL	1,00			--



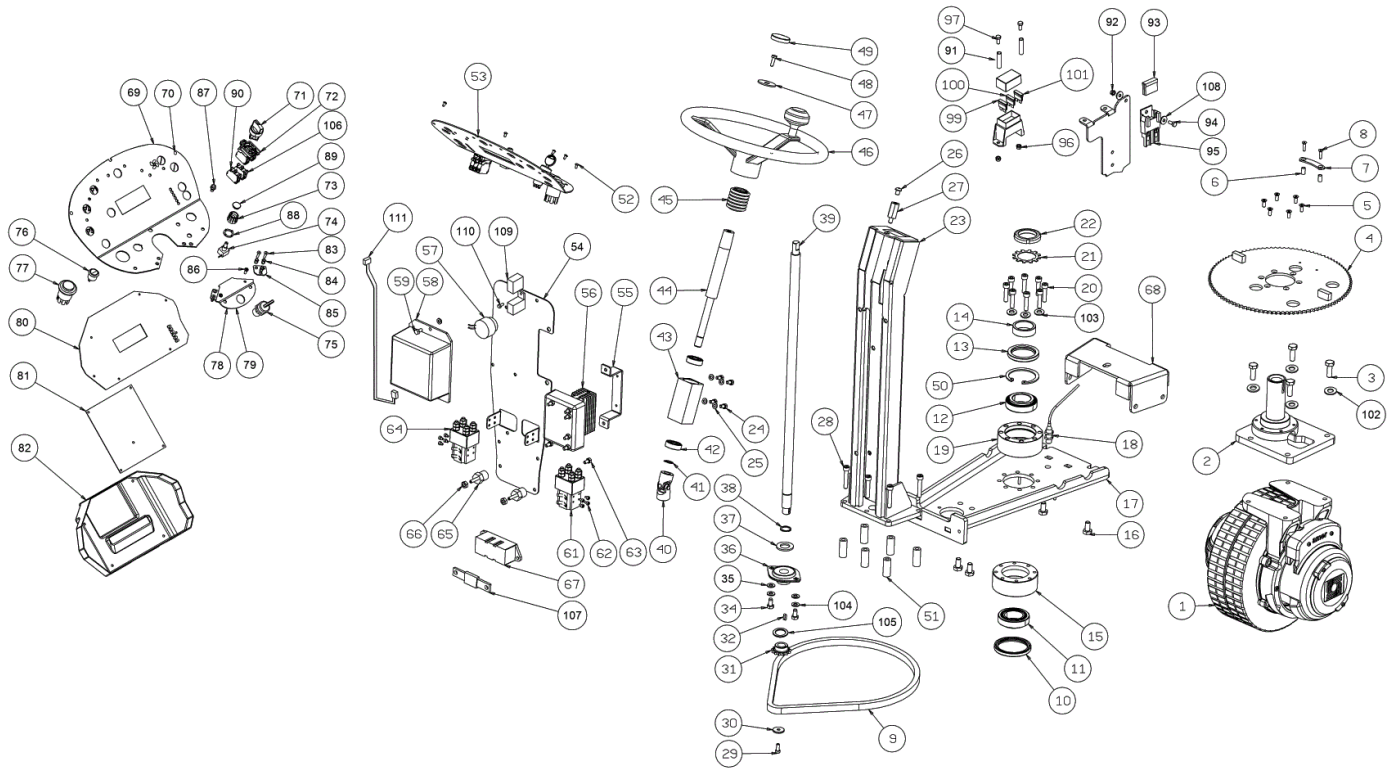
Ref.	K	Part N.	Customer Part N.	Description	Qty	Validity:		Price
						From	To	
0081		VTRS21116		WASHER D. 3 INX	4,00			--
0082		VTDD21115		NUT M 3 INOX	2,00			--
0084		VTVT00433		SCREW TE M 6X 30 UNI 5739 INX	1,00			--
0085		MLML00237		SPRING RICHIAMO PEDALE B.F. P185	1,00			--
0086		LAFN51019		PEDALE BLOCCO	1,00			--
0087		VTAE14096		CIRCLIP D. 8 UNI 7435	1,00			--
0088		VTRS13947		WASHER D. 8 INX UNI 6592	1,00			--
0089		VTVT01310		SCREW TCEI 8X60 INOX UNI5931	2,00			--
0090		VTRS13947		WASHER D. 8 INX UNI 6592	2,00			--
0091		MPVR45096		RUBBER V 1201 GR.	1,00			--
0092		CMCV00334		CABLE 4x	1,00			--
0092		VTVT00708		SCREW TE M. 8-40	1,00			--
0093		VTDD01695		NUT M 8 INX	1,00			--
0094		LAFN08885		SPACER -	2,00			--
0095		VTVT00708		SCREW TE M. 8-40	1,00			--
0096		MPVR05839		KNOB -	1,00			--
0097		LAFN04157		BUSHING SNODO FINALE	2,00			--
0098		VTVT01317		SCREW M 5X 12 TSPEI UNI 5933	2,00			--
0099		LAFN09239		SPACER CT230	1,00	12/2012		--



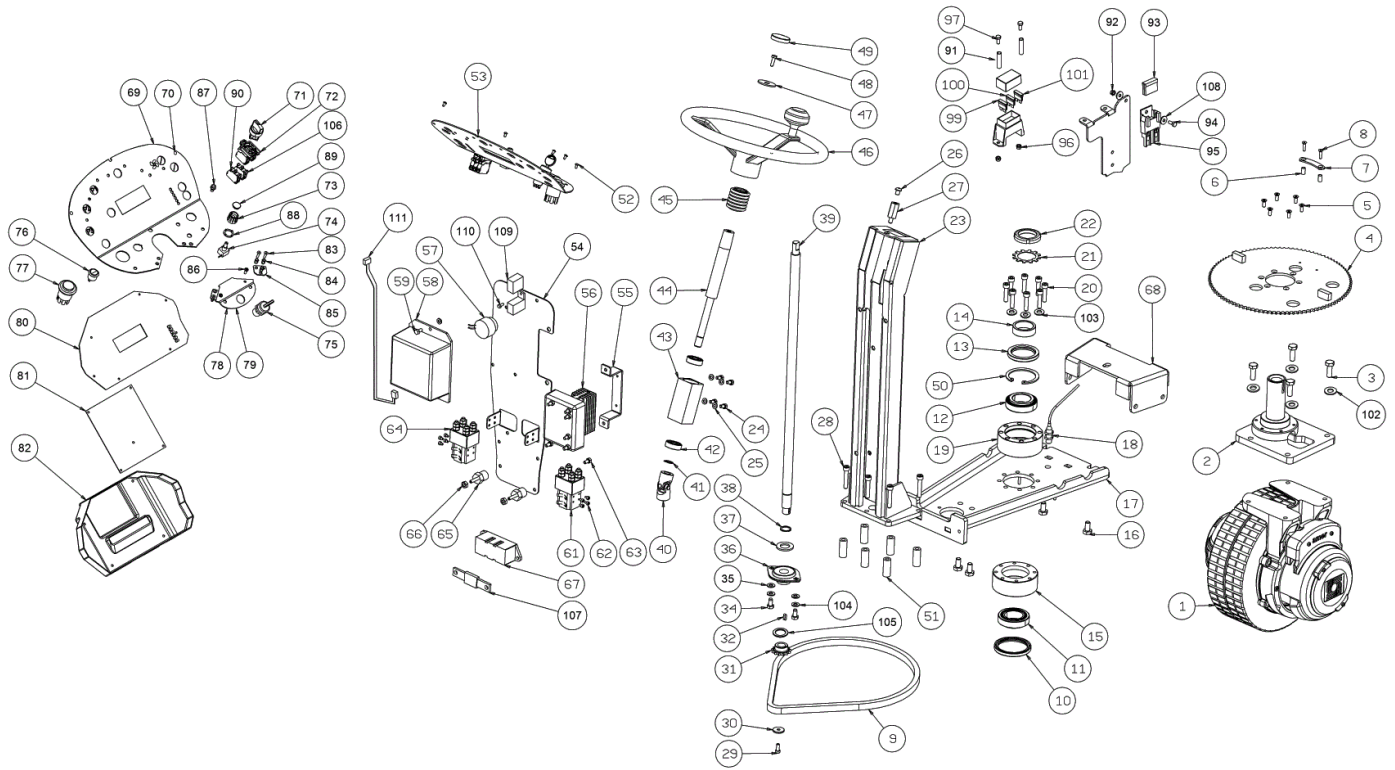
Ref. K	Part N.	Customer Part N.	Description	Qty	Validity:		Price
					From	To	
0001	VTDD00171		NUT M6 INOX	14,00			--
0002	VTRS00245		WASHER D.6 UNI 6592 INOX	16,00			--
0003	LAFN08930		BRACKET -	1,00			--
0004	MPVR05885		BLADE SQUEEGEE FRONT CT230-105	1,00			--
0005	LAFN08929		FLOOR WIPER -	1,00			--
0006	VTDD01695		NUT M 8 INX	2,00			--
0007	RTRT00510		WHEEL ANTIRIBALTAMENTO	4,00			--
0008	MPVR05886		BLADE SQUEEGEE REAR LATEX CT230	1,00			--
0009	LAFN04127		PIN RULLO PARACOLPI	2,00			--
0010	VTRS13946		WASHER D. 8 X24 INX UNI 6593	2,00			--
0011	VTVT67560		SCREW TCEI M8X110 INOX AISI 304	2,00			--
0012	LAFN08931		BRACKET -	1,00			--
0019	GUGO06700		GASKET SQUEEGEE	1,00			--
0020	LAFN08938		CONNECTOR -	1,00			--
0021	VTVT00717		SCREW TCEI M. 6-16	2,00			--
0022	LAFN04137		CONTAINER MOLLE A TAZZA	2,00			--
0023	MLML00245		SPRING A TAZZA	12,00			--
0024	LAFN04121		PIN MOLLE A TAZZA	2,00			--
0025	VTAE13513		CIRCLIP D. 26 UNI 7437	2,00			--
0026	CHVR00500		HANDLE A RIPRESA M8x40	2,00			--
0027	VTVT00433		SCREW TE M 6X 30 UNI 5739 INX	2,00			--
0028	VTRS13947		WASHER D. 8 INX UNI 6592	2,00			--
0029	MPVR06002		DUCT LOCK FLAP CT230	2,00			--



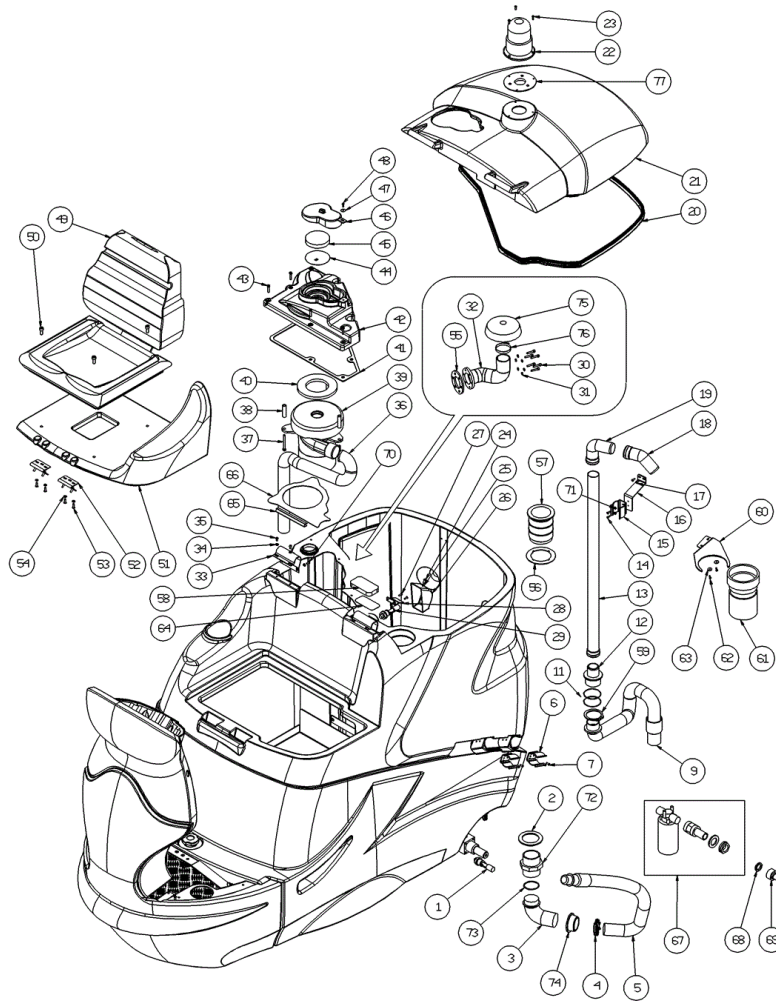
Ref.	K	Part N.	Customer Part N.	Description	Qty	Validity:		Price
						From	To	
0001		MOCC00407		MOTOR ELECTRIC TRAC.-WHEEL 230	1,00			--
0001		RTRT00442		WHEEL -	1,00			--
0001		MEVR34439		CARBON 10X18X19	4,00			--
0001		MOCC00385		DRIVE ASSEMBLY -	1,00			--
0002		LAFN06994		SPACER -	1,00			--
0003		VTVT01541		SCREW TE M 10x30 INOX UNI5739	4,00			--
0004		LAFN06995		BRAKE -	1,00			--
0005		VTVT13940		SCREW M 6X 20 TSPEI UNI 5933	6,00			--
0006		LAFN03742		SPACER SILENZIATORE	2,00			--
0007		LAFN08836		BRACKET -	1,00			--
0008		VTVT15962		SCREW M 5X 25 TSPEI UNI 5933	2,00			--
0009		MTCR00085		CHAIN 3/8"	1,00			--
0010		PVVR00044		GASKET -	1,00			--
0011		CUVR00187		BEARING -	1,00			--
0012		CUVR00187		BEARING -	1,00			--
0013		PVVR00045		GASKET -	1,00			--
0014		LAFN08828		BUSHING -	1,00			--
0015		LAFN08830		BUSHING -	1,00			--
0016		VTVT13936		SCREW TE M 10X 20	4,00			--
0017		LAFN06993		PLATE -	1,00			--
0018		MECI00535		SENSOR -	1,00			--
0019		LAFN08829		RING -	1,00			--
0020		VTVT01310		SCREW TCEI 8X60 INOX UNI5931	8,00			--
0021		VTRS00572		WASHER -	1,00			--
0022		VTVR00563		RING NUT -	1,00			--
0023		LAFN05787		ASSEMBLED PIANTONE	1,00			--
0024		VTVT15906		SCREW TE 6X 12 A2 UNI 5739	4,00			--
0025		VTRS00245		WASHER D.6 UNI 6592 INOX	4,00			--
0026		VTVT47025		SCREW TBEI M 10X 16 ISO 7380 ZB	1,00			--
0027		LAFN00474		PIN FISS.COFANURE SIRIO L.45	1,00			--
0028		VTVT01310		SCREW TCEI 8X60 INOX UNI5931	6,00			--
0029		VTVT00717		SCREW TCEI M. 6-16	1,00			--
0030		LAFN04134		WASHER PIGNONE STERZO	1,00			--
0031		MTCR00070		PINION ALBERO STERZO P185	1,00			--
0032		VTVR00229		KEY 5X5X12	1,00			--
0034		VTVT15916		SCREW TE M 8X 16 UNI 5739 A2	2,00			--
0035		VTRS13947		WASHER D. 8 INX UNI 6592	2,00			--
0036		CUVR00105		SUPPORT -	1,00			--
0037		LAFN07029		SPACER -	1,00			--



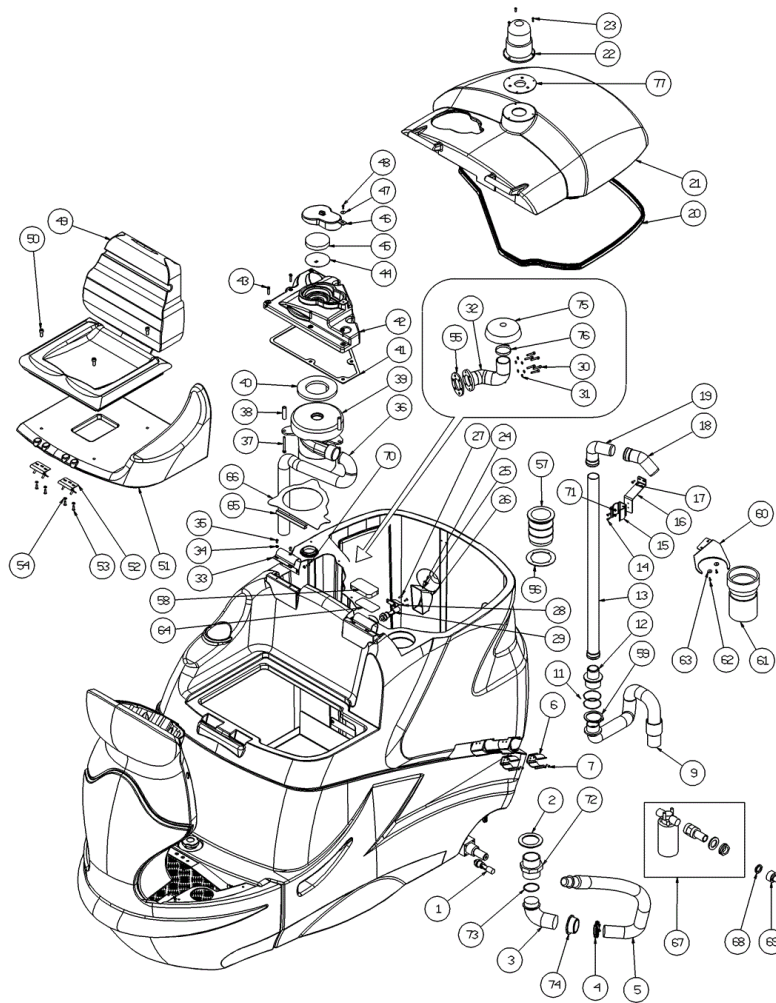
Ref.	K	Part N.	Customer Part N.	Description	Qty	Validity:		Price
						From	To	
0038		VTAE06193		CIRCLIP D. 20 UNI 7435	1,00			--
0039		LAFN08820		SHAFT -	1,00			--
0040		VTVR00057		ARTICULATION CARDANICO	1,00			--
0041		VTAE17003		CIRCLIP D. 15 UNI 7435	1,00			--
0042		CUVR17004		BALL BEARING 6202 -2RS1	2,00			--
0043		LAFN04133		HUB ALBERO STERZO	1,00			--
0044		LAFN04076		SHAFT STERZO SUPERIORE P185	1,00			--
0045		MPVR51068		PROTECTOR STERZO CLT 160	1,00			--
0046		MPVR01517		STEERING WHEEL	1,00			--
0047		VTRS44254		WASHER D.10 X40X2.5 UNI6593	1,00			--
0048		VTVT47025		SCREW TBEI M 10X 16 ISO 7380 ZB	1,00			--
0049		MPVR47026		BLACK CAP L.14	1,00			--
0050		VTAE00081		CIRCLIP -	1,00			--
0051		LAFN08885		SPACER -	6,00			--
0052		VTVT00881		SCREW TC+ M4x6 TRILOBATA INOX	4,00			--
0053		MECE00522		BOARD CT230	1,00			--
0054		LAFN08876		SUPPORT -	1,00			--
0055		LAFN08877		SUPPORT -	1,00			--
0056		MECE00526		BOARD POWER SERVICE CT160-CT230	1,00			--
0057		MEVR01436		BUZZER -	1,00			--
0058		MECE00525		BOARD TRACTION CURTIS 36V 160A	1,00			--
0059		VTVT07725		SCREW TE 5X16 UNI5739 INX	3,00			--
0061		METT00086		CONTACTOR 100A	1,00			--
0062		VTVT00881		SCREW TC+ M4x6 TRILOBATA INOX	4,00			--
0063		VTVT15906		SCREW TE 6X 12 A2 UNI 5739	2,00			--
0064		METT00086		CONTACTOR 100A	1,00			--
0065		MEVR47082		INSULATOR M6 35-CH32	2,00			--
0067		MEVR00146		FUSE-HOLDER MEGA	1,00			--
0068		LAFN08813		PLATE -	1,00			--
0069		ETET01663		LABEL -	1,00			--
0070		LAFN08851		SUPPORT -	1,00			--
0071		MEVR02011		SELECTOR -	1,00			--
0072		MEVR02038		SUPPORT	1,00			--
0073		MEVR01575		CAP 2202	1,00			--
0074		MEVR01941		POTENTIOMETER 100K	1,00			--
0075		MECI75805		SWITCH TK	1,00			--
0076		MECI00556		SWITCH -	1,00			--
0077		MECI00028		BUTTON DI EMERGENZA TK1400 24V	1,00			--
0078		ETET01664		LABEL -	1,00			--



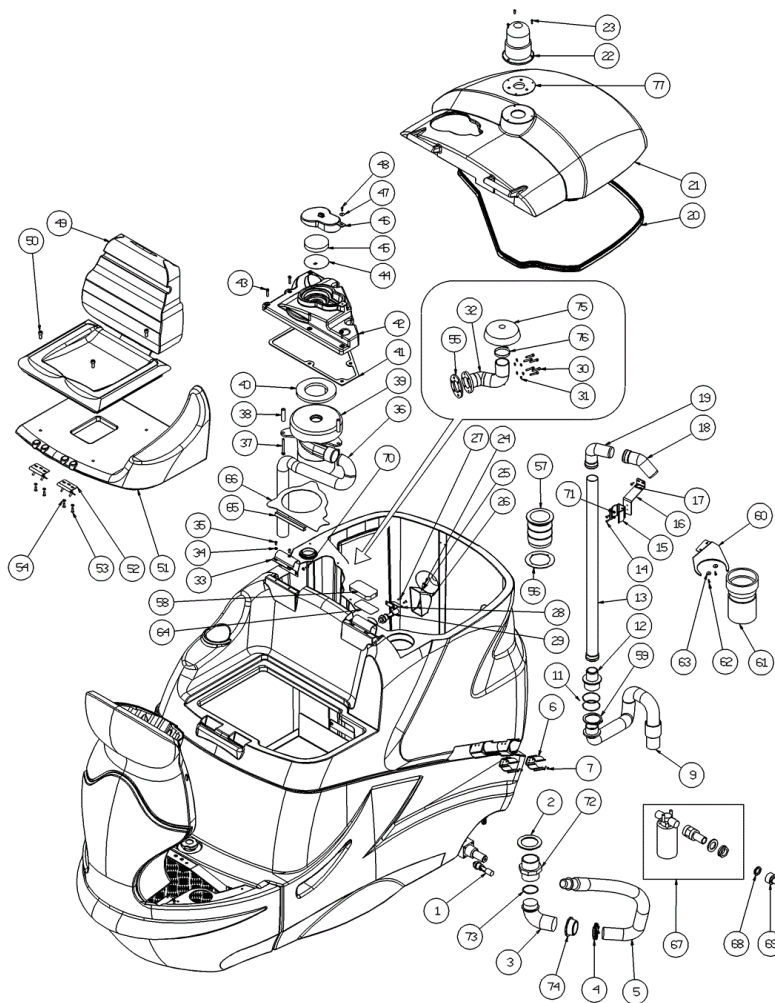
Ref.	K	Part N.	Customer Part N.	Description	Qty	Validity:		Price
						From	To	
0079		LAFN08869		SUPPORT -	1,00			--
0080		MECE00531		BOARD DISPLAY CT160-CT230	1,00			--
0081		MECE00532		BOARD LOGIC CT160-CT230 CURTIS	1,00			--
0082		MPVR05840		COVER -	1,00			--
0083		VTVT16939		SCREW M 4X 16 TSPEI UNI 5933	4,00			--
0084		VTVR00306		INSERT FILETTATO ESAGONALE M5	6,00			--
0085		LAFN08870		BRACKET -	2,00			--
0086		VTVT15965		SCREW TCB-TC 4X12 UNI7687 INX	2,00			--
0087		MEVR01974		LED -	1,00			--
0088		MEVR01574		RING NUT 2204	1,00			--
0089		MEVR01573		SMALL KNOB 2200 V6	1,00			--
0090		MEVR02012		CONTACT -	2,00			--
0091		LAFN06735		SPACER 6-8 H31.5	2,00			--
0092		VTDD01693		NUT M 5 INX	1,00			--
0093		MEVR00644		FUSE MAXIVAL 30A	1,00	10/2011		--
0093		MEVR02048		FUSE 40A	1,00		10/2011	--
0094		VTVT01300		SCREW TE M5X12 INOX	1,00			--
0095		MEVR00613		FUSE CARRIER MAXIVAL with cover	1,00			--
0096		VTDD01693		NUT M 5 INX	2,00			--
0097		VTVT15926		SCREW TE 5X40 UNI5739 INOX	2,00			--
0099		MEVR01132		FUSE A LAMA 5 A.	1,00			--
0100		MEVR01132		FUSE A LAMA 5 A.	1,00			--
0101		MEVR01132		FUSE A LAMA 5 A.	1,00			--
0102		VTRS15523		WASHER D.10 X21 INOX UNI 6592	4,00			--
0103		VTRS13947		WASHER D. 8 INX UNI 6592	8,00			--
0104		VTRS15146		WASHER D. 8 INX GRW UNI 1751	2,00			--
0105		LAFN07030		SPACER -	1,00			--
0106		MEVR02039		CONTACT	2,00			--
0107		MEVR01925		FUSE 150A	1,00			--
0108		VTRS00516		WASHER D. 5 INX	2,00			--
0109		MECE00456		RELAY CT110	1,00	10/2011		--
0110		VTVT01300		SCREW TE M5X12 INOX	1,00	10/2011		--
0111		MECB01319		WIRING CURTIS	1,00	12/2012		--



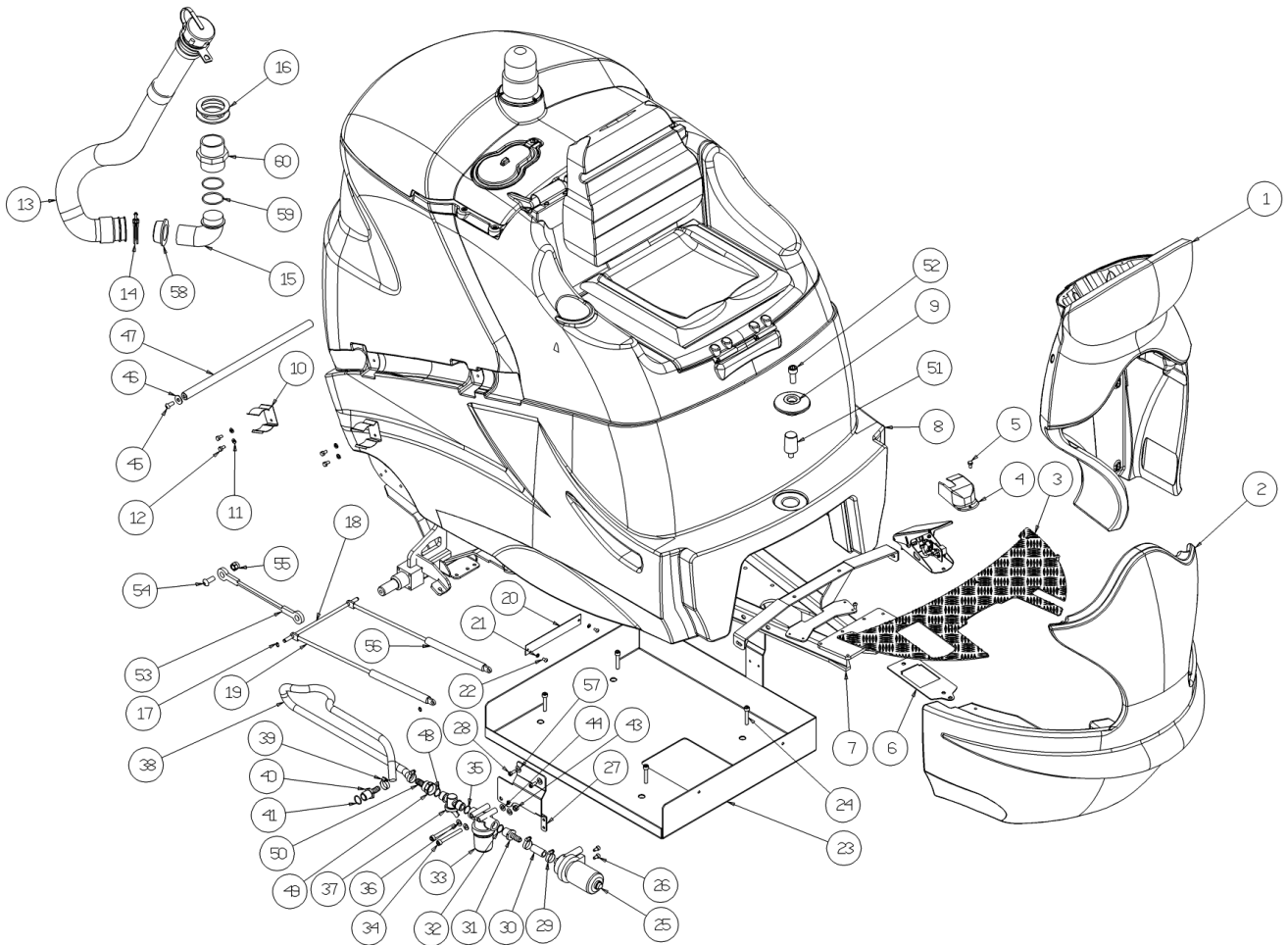
Ref.	K	Part N.	Customer Part N.	Description	Qty	Validity:		Price
						From	To	
0001		MECI00533		SENSOR VS303-51N	1,00			--
0002		GUGO00216		GASKET ACQUA SPORCA	1,00			--
0003		RCVR00718		REDUCTION MASCHIO/MASCHIO	1,00		07/2011	--
0003		RCVR00774		CONNECTOR 90°	1,00	07/2011		--
0004		FSVR00095		CLAMP 30-45	1,00			--
0005		TBBP00391		TUBE -	1,00			--
0006		MPVR46988		CLIP LAV. SHK	2,00			--
0007		VTVT15965		SCREW TCB-TC 4X12 UNI7687 INX	4,00			--
0009		TBFX00300		TUBE	1,00		05/2013	--
0009		TBFX00364		TUBE CT230 PU	1,00	05/2013		--
0011		GUGO00445		O-RING -	2,00			--
0012		LAFN07017		CONNECTOR -	1,00			--
0013		TBBP00480		TUBE -	1,00			--
0014		VTVT00817		SCREW TE M4x12 UNI 5739 INOX	2,00			--
0015		FSVR44166		HOSE CLIP D.50	1,00			--
0016		LAFN07009		BRACKET -	1,00			--
0017		VTVT15961		SCREW M 5X 16 TCB TC UNI 7687	2,00			--
0018		RCVR00765		CONNECTOR -	1,00			--
0019		RCVR00764		CONNECTOR -	1,00			--
0020		GUVR00268		GASKET CT230	1,00			--
0021		MPVR05026		COVER RECOVERY TANK LID CT230	1,00			--
0022		MELF00040		FLASHING LIGHT	1,00		12/2013	--
0022		MELF00053		LAMP -	1,00	12/2013		--
0023		VTVT00752		SCREW TC+ M.4,8-19	3,00			--
0024		VTVT01150		SCREW 4x10	1,00			--
0025		VTRS00570		WASHER -	1,00			--
0026		MPVR05596		PROTECTION -	1,00			--
0027		VTVT07725		SCREW TE 5X16 UNI5739 INX	2,00			--
0028		LAFN08835		BRACKET -	1,00			--
0029		MECI00566		SENSOR -	1,00			--
0030		VTVT07725		SCREW TE 5X16 UNI5739 INX	6,00			--
0031		VTRS00516		WASHER D. 5 INX	6,00			--
0032		MPVR05025		TUBE -	1,00		11/2011	--
0032		MPVR06012		TUBE CT230	1,00	11/2011		--
0033		LAFN06998		HINGE -	2,00			--
0034		VTRS13750		WASHER D. 5X14 INX	8,00			--
0035		VTVT00805		SCREW TBEI M. 5-10	4,00			--
0036		TBFX00344		TUBE CT230	1,00			--
0037		VTVT01310		SCREW TCEI 8X60 INOX UNI5931	3,00			--



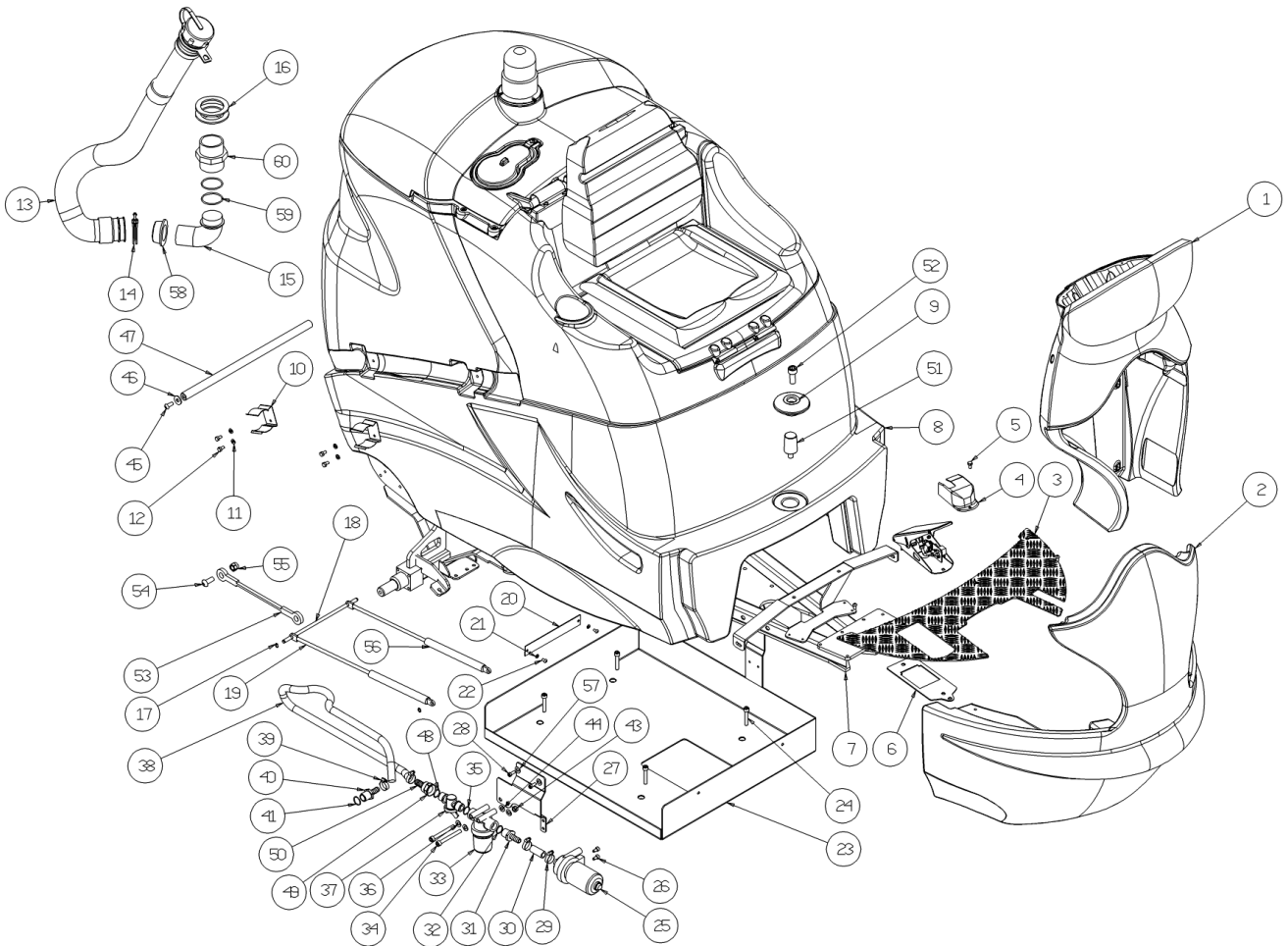
Ref.	K	Part N.	Customer Part N.	Description	Qty	Validity:		Price
						From	To	
0038		LAFN03760		SPACER RUOTA	3,00			--
0039		MOCC00271		MOTOR ASPIR.BIST.36V E-12416-2	1,00			--
0040		GUGO00272		GASKET VACUUM MOTOR CT	1,00			--
0041		GUVR00269		GASKET -	1,00			--
0042		MPVR05027		COVER	1,00			--
0043		VTVT00657		SCREW TCEI M. 5-30	5,00			--
0044		LAFN06999		NET -	1,00			--
0045		FTDP00186		FILTER	1,00			--
0046		MPVR05031		CAP -	1,00			--
0047		VTRS00251		WASHER 4-16 INOX A2	1,00			--
0048		VTVT15965		SCREW TCB-TC 4X12 UNI7687 INX	1,00			--
0049		SESD45981		SEAT SC 73 L.14	1,00			--
0050		VTVT13938		SCREW TE 8X20 UNI5739 INX	2,00			--
0051		MPVR05029		COVER UNDER SEAT CT230	1,00			--
0052		CEVR00060		HINGE PORTA SEDILE P185	2,00			--
0053		VTVT01300		SCREW TE M5X12 INOX	8,00			--
0054		VTRS13750		WASHER D. 5X14 INX	8,00			--
0055		GUGO00307		GASKET TENUTA TAPPO	1,00			--
0056		GUGO00267		GASKET FILTRO	1,00			--
0057		FTAC48857		FILTER ASP. ACQUA SERB. LAVAP.	1,00			--
0058		GUVR01010		GASKET -	1,00			--
0059		VTAE00082		CIRCLIP D. 50 UNI 7435	1,00			--
0060		LAFN08976		BRACKET -	1,00			--
0061		KTRI15043		WATER FILTER DIRTY INLET TANK	1,00			--
0062		VTVT00727		SCREW TE M. 4-20	2,00			--
0063		VTRS00251		WASHER 4-16 INOX A2	2,00			--
0064		LAFN09008		SHEET METAL PA.-	1,00			--
0065		KTRI02014		KIT -	1,00			--
0066		LAFN08923		BULKWARD -	1,00			--
0067		RCVR00766		SENSOR ACQUASTOP AUTO FILLING	1,00			--
0068		GUVR01011		GASKET 1/2"	1,00			--
0069		RCVR00103		JOINT R 1/2"	1,00			--
0070		VTVT01300		SCREW TE M5X12 INOX	4,00			--
0071		VTRS00515		WASHER D. 4 INX	2,00			--
0072		RCVR00778		NIPPLE 1"1/2	1,00	07/2011		--
0073		GUGO00319		O-RING 1"1/2	1,00	07/2011		--
0074		RCVR00776		CONNECTION 1" 1/2	1,00	07/2011		--
0075		MPVR06015		COVER -	1,00	11/2011		--
0076		FSVR00033		CLAMP 45-60	1,00	11/2011		--



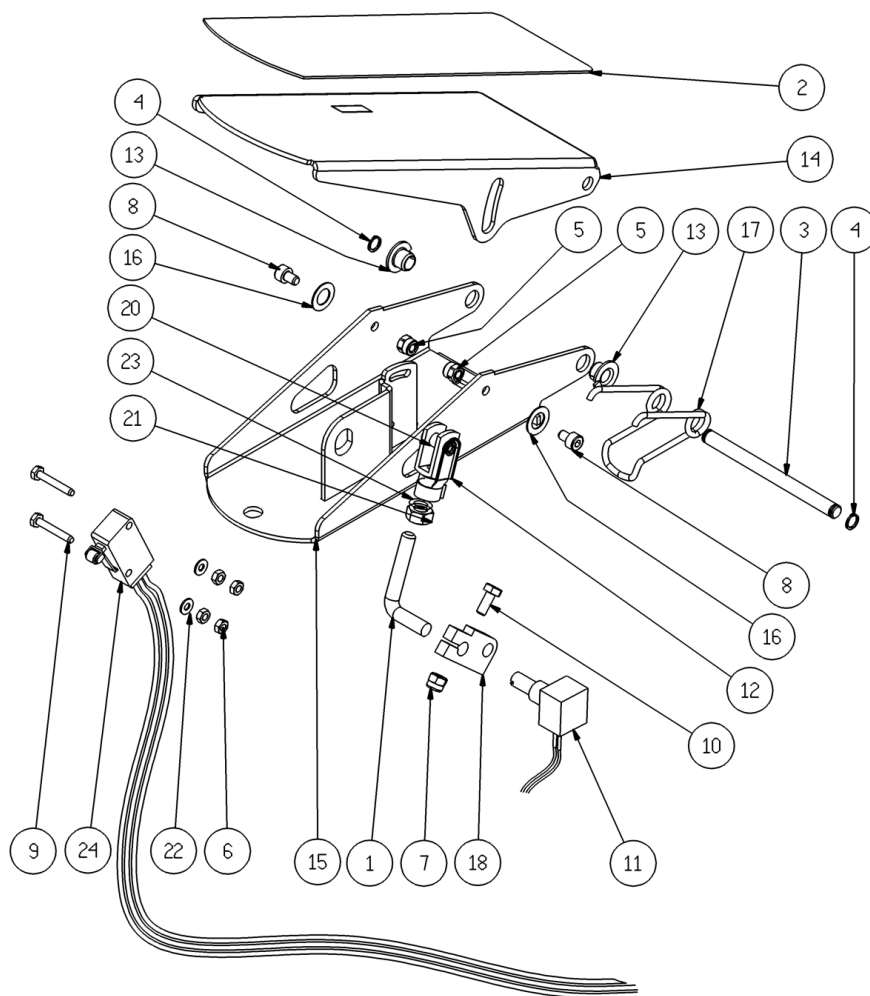
Ref. K	Part N.	Customer Part N.	Description	Qty	Validity:		Price
					From	To	
0077	MPVR06103		BRACKET -	1,00	12/2013		--



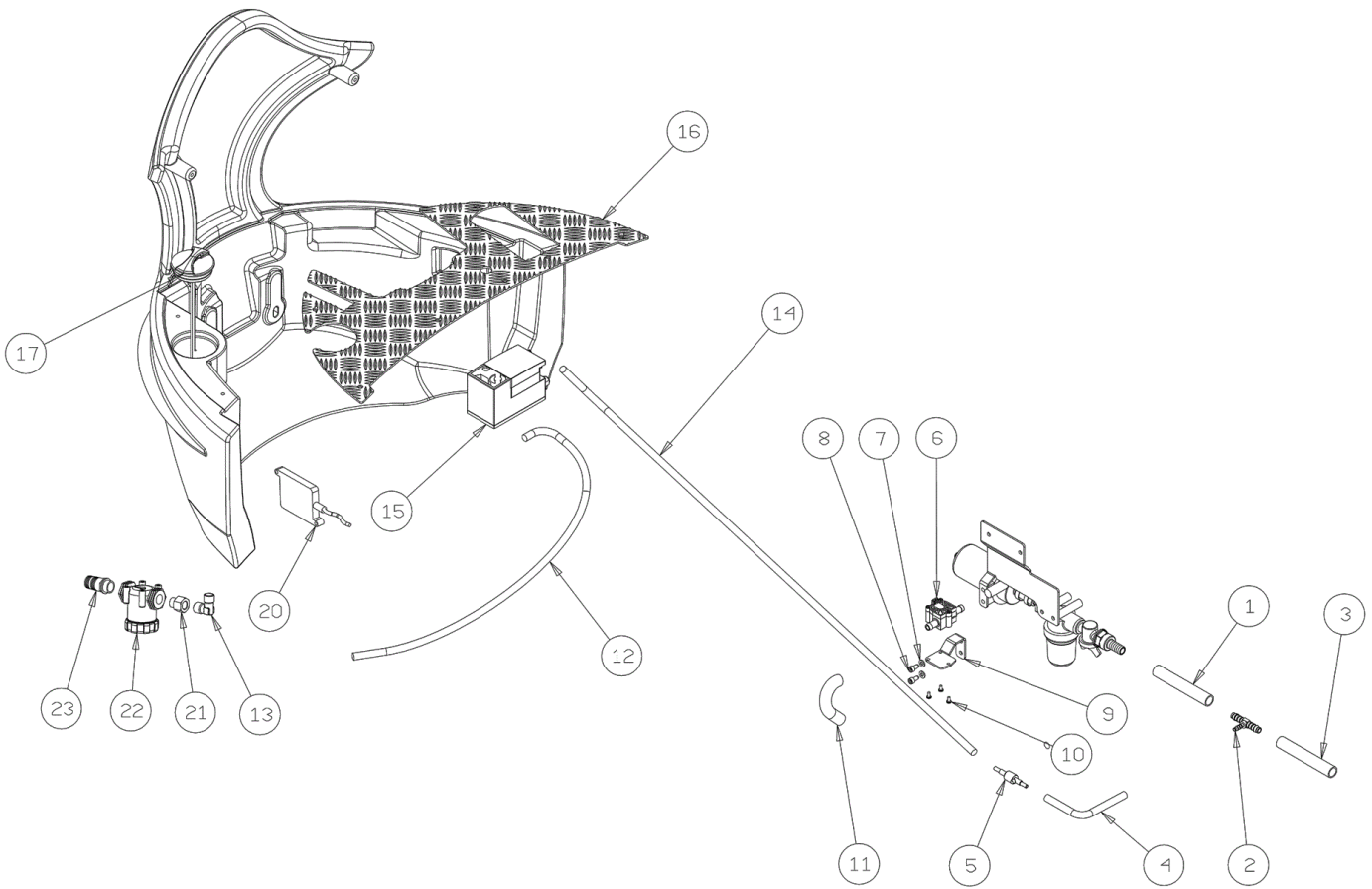
Ref.	K	Part N.	Customer Part N.	Description	Qty	Validity:		Price
						From	To	
0001		MPVR05819		SIDE PANEL -	1,00			--
0002		MPVR05028		BODY SIDE	1,00			--
0003		LAFN07015		PLANE -	1,00			--
0004		MPVR00302		CRANKCASE PEDALE AVANZAMENTO	1,00			--
0005		VTVT15906		SCREW TE 6X 12 A2 UNI 5739	2,00			--
0006		LAFN07001		FLANGE -	1,00			--
0007		LAFN06991		FRAME -	1,00			--
0008		KTRI02057		KIT TANK 230	1,00			--
0009		MPVR05949		FLANGE CT230	1,00			--
0010		FSVR44166		HOSE CLIP D.50	2,00			--
0011		VTRS00245		WASHER D.6 UNI 6592 INOX	4,00			--
0012		VTVT15906		SCREW TE 6X 12 A2 UNI 5739	4,00			--
0013		TBBP00388		TUBE -	1,00		10/2012	--
0013		TBBP00487		TUBE DRAIN PU CT230	1,00	10/2012		--
0014		FSVR00033		CLAMP 45-60	1,00			--
0015		RCVR00719		REDUCTION MASCHIO/MASCHIO	1,00		07/2011	--
0015		RCVR00775		CONNECTOR 90°	1,00	07/2011		--
0016		GUVR00271		GASKET X RACCORDO 2"	2,00			--
0017		VTAE00083		CIRCLIP D. 8	6,00			--
0018		LAFN07011		PIN -	1,00			--
0019		MLML00296		PISTON -	1,00			--
0020		LAFN07010		BRACKET -	3,00			--
0021		VTRS13750		WASHER D. 5X14 INX	6,00			--
0022		VTVT15961		SCREW M 5X 16 TCB TC UNI 7687	6,00			--
0023		LAFN06992		CONTAINER -	1,00			--
0024		VTVT00889		SCREW TCEI M. 8-45	4,00			--
0025		PPEL00025		PUMP EST. 36V	1,00			--
0026		VTVT15906		SCREW TE 6X 12 A2 UNI 5739	2,00			--
0027		LAFN07008		BRACKET -	1,00			--
0028		VTVT13939		SCREW TE 6X20 UNI5739 INX	2,00			--
0031		RCVR00540		CONNECTOR	1,00			--
0032		GUGO36290		O-RING D. 17.04 X 3.53 NBR 70SH	1,00			--
0033		FTAC00038		FILTER G1/2 INOX	1,00			--
0034		VTVT00699		SCREW TE M. 6-70	2,00			--
0035		GUGO36290		O-RING D. 17.04 X 3.53 NBR 70SH	1,00			--
0036		VTRS00245		WASHER D.6 UNI 6592 INOX	2,00			--
0037		RCGR00078		TAP -	1,00			--
0040		RCVR00542		CURVED CONNECT.M G1/2 PORTAG. 113-2213	1,00			--
0041		GUGO31088		O-RING D. 12 X 2.50 NBR 70SH	1,00			--



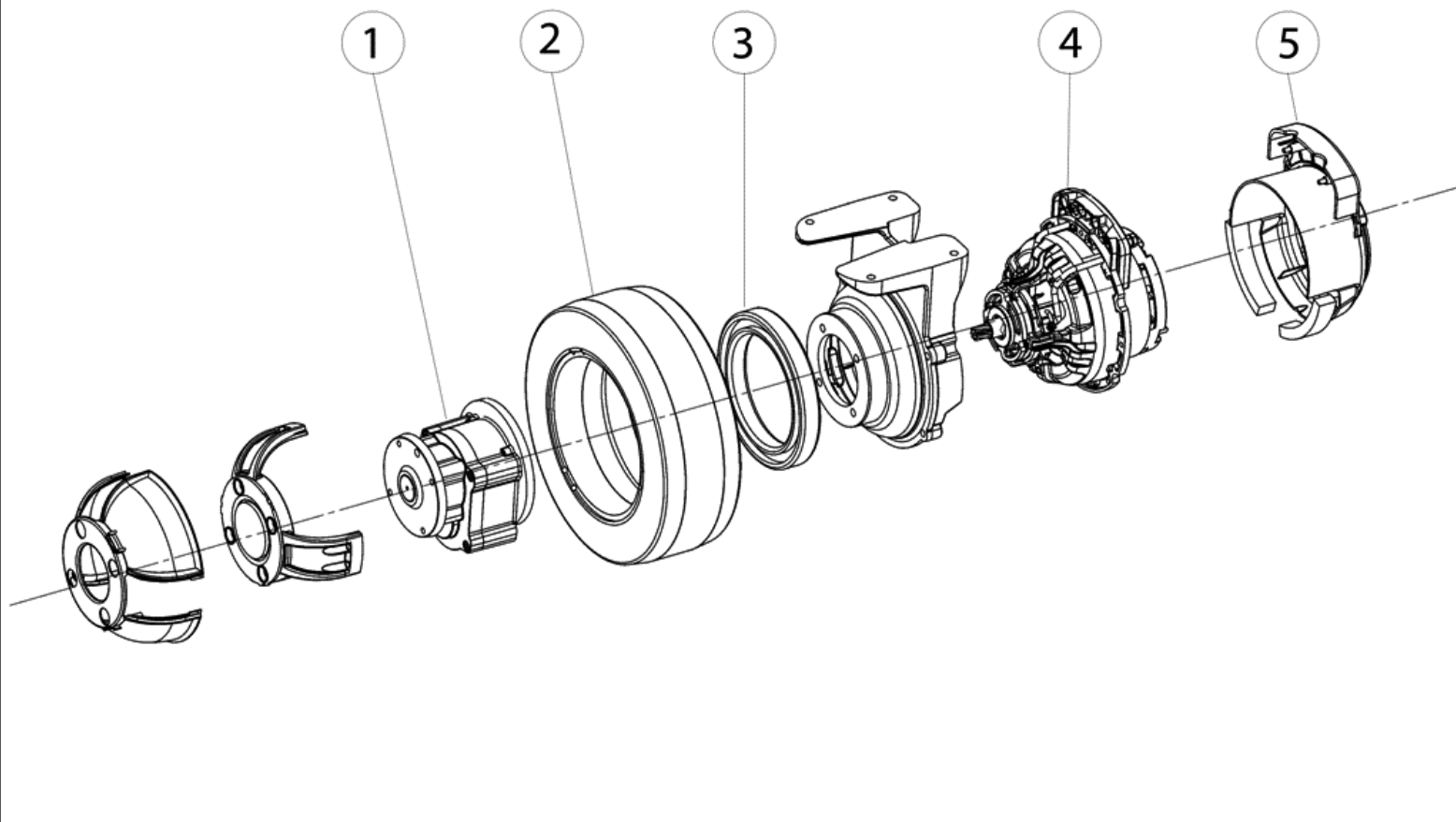
Ref.	K	Part N.	Customer Part N.	Description	Qty	Validity:		Price
						From	To	
0042		VTVT00640		SCREW TBEI M 6-12 INOX	4,00			--
0043		VTDD01694		NUT M6 INOX	2,00			--
0044		VTRS13945		WASHER D. 6X18 INX UNI 6593	2,00			--
0045		VTVT00779		SCREW TBEI M.8-16	2,00			--
0046		VTRS16323		WASHER D. 8 X32 UNI 6593 INX	2,00			--
0047		LAFN07007		PIN -	1,00			--
0048		GUGO00427		GASKET -	1,00			--
0049		MPVR05240		RING NUT G1/2	1,00			--
0050		RCVR00744		CONNECTOR -	1,00			--
0051		LAFN07014		PIN -	1,00			--
0052		VTVT00307		SCREW TCEI M10X30	1,00			--
0053		CMCV00455		CABLE -	2,00			--
0054		VTVT01195		SCREW TBEI M 8X 25 ISO 7380 IX	2,00			--
0055		VTDD01695		NUT M 8 INX	2,00			--
0056		MLML00330		SPRING -	1,00			--
0057		VTRS13945		WASHER D. 6X18 INX UNI 6593	2,00			--
0058		RCVR00777		CONNECTION 2"	1,00	07/2011		--
0059		GUGO00320		O-RING 2"	2,00	07/2011		--
0060		RCVR00779		NIPPLE 2"	1,00	07/2011		--



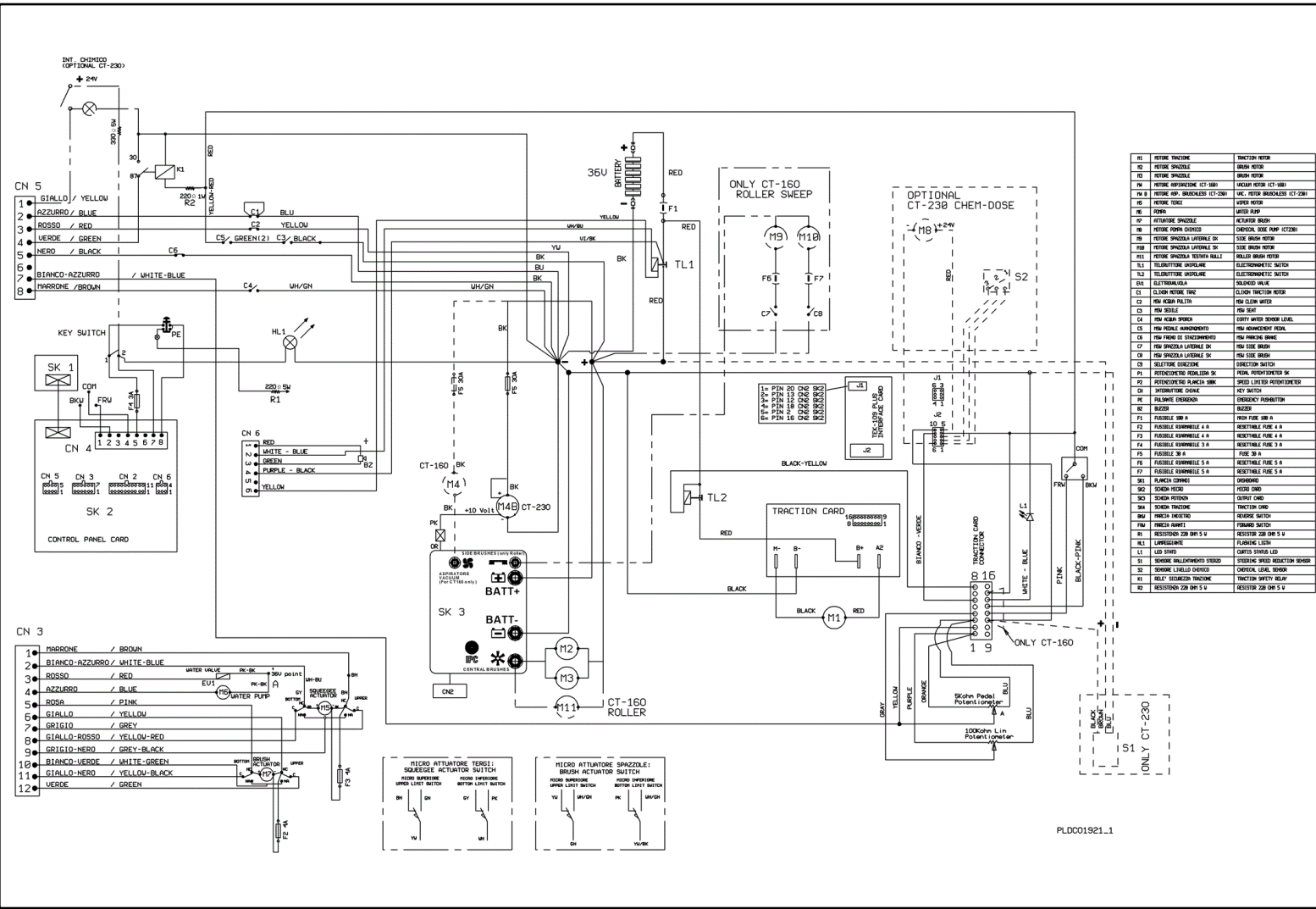
Ref. K	Part N.	Customer Part N.	Description	Qty	Validity:		Price
					From	To	
0001	LAFN00909		BRACKET BIELLETTA PEDALE	1,00			--
0002	MPVR00866		PLANE ANTISDRUCCIOLO G1050	1,00			--
0003	LAFN00524		PIN PEDALE TK 1050	1,00			--
0004	VTAE48552		CIRCLIP D. 6 UNI 7435	2,00			--
0005	VTDD04369		NUT M 4 TEF UNI 7473	2,00			--
0006	VTDD21115		NUT M 3 INOX	2,00			--
0007	VTDD04369		NUT M 4 TEF UNI 7473	1,00			--
0008	VTVT00089		SCREW TCCE UNI 5931 4X10 ZB	2,00			--
0009	VTVT00654		SCREW TC+ M.3-20	2,00			--
0010	VTVT00727		SCREW TE M. 4-20	1,00			--
0011	MECB01227		WIRING ACCELERATOR	1,00			--
0012	CMCV75717		CLIP UNI 1676 M6	1,00			--
0013	CUVR00183		BUSHING -	2,00			--
0014	LAFN06474		SHEET METAL PA.PEDALE	1,00			--
0015	LAFN07532		BUSHING -	1,00			--
0016	MPVR05528		WASHER -	2,00			--
0017	MLML00034		SPRING PEDALE AVANZAMENTO G1050	1,00			--
0018	LAFN01149		CONNECTING ROD PEDALE AVANZAMENTO G1050	1,00			--
0020	CMCV76639		FORK M 6 UNI 1676	1,00			--
0021	VTDD00482		NUT M 6 ZIN UNI 5588	1,00			--
0022	VTRS00117		WASHER 3.2X7 UNI6592	2,00			--
0023	VTRS01079		WASHER D. 6 GROWER	1,00			--
0024	MECB01228		WIRING -	1,00			--



Ref. K	Part N.	Customer Part N.	Description	Qty	Validity:		Price
					From	To	
0002	RCVR00745		CONNECTOR TRS 12-6-12	1,00			--
0005	RCGR00079		VALVE -	1,00			--
0006	MEVR02049		FLOWMETERS -	1,00			--
0009	LAFN08900		BRACKET -	1,00			--
0010	VTVT00748		SCREW TC+4.2-9.5	3,00			--
0013	RCVR00787		CONNECTOR -	1,00	07/2013		--
0015	PPBP00059		PUMP -	1,00			--
0016	LAFN08899		PLANE -	1,00			--
0017	MPVR05188		CAP -	1,00			--
0020	MECI00564		SENSOR -	1,00			--
0021	RCVR00788		REDUCTION -	1,00	07/2013		--
0022	FTAC00044		FILTER CT15-CT30	1,00	07/2013		--
0023	RCVR00786		CONNECTOR -	1,00	07/2013		--



Ref. K	Part N.	Customer Part N.	Description	Qty	Validity:		Price
					From	To	
0001	RDGR00039		REDUCTION UNIT -	1,00			--
0002	RTRT00442		WHEEL -	1,00			--
0003	CUVR00194		BEARING 61926 2RS	1,00			--
0004	MOCC00407		MOTOR ELECTRIC TRAC.-WHEEL 230	1,00			--
0005	MPVR04999		CAP	1,00			--



Ref.	K	Part N.	Customer Part N.	Description	Qty	Validity: From To	Price
EV1		MEEV00021		SOLENOID VALVE RIF. D160SS10/K/20Z	1,00		--
M1		MOCC00385		DRIVE ASSEMBLY -	1,00		--
M2		MOCC00195		MOTOR	1,00		--
M3		MOCC00195		MOTOR	1,00		--
M5		MOCC00394		ATUATOR	1,00		--
M7		MOCC00388		ATUATOR	1,00		--
SK2		MECE00532		BOARD LOGIC CT160-CT230 CURTIS	1,00		--
SK3		MECE00526		BOARD POWER SERVICE CT160-CT230	1,00		--
TC		MECE00525		BOARD TRACTION CURTIS 36V 160A	1,00		--
TL1		METT00086		CONTACTOR 100A	1,00		--
TL2		METT00086		CONTACTOR 100A	1,00		--