

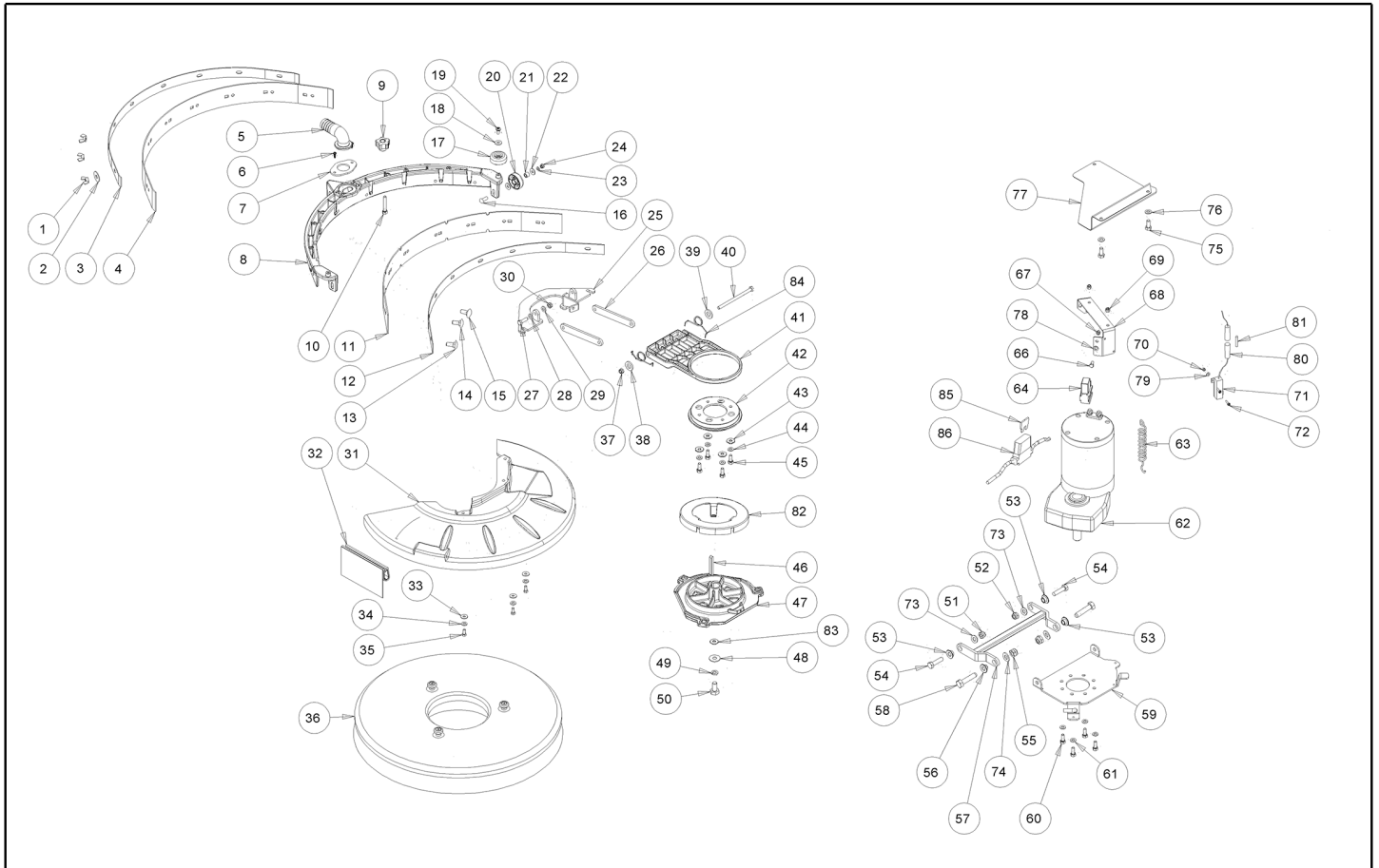


**IPC**

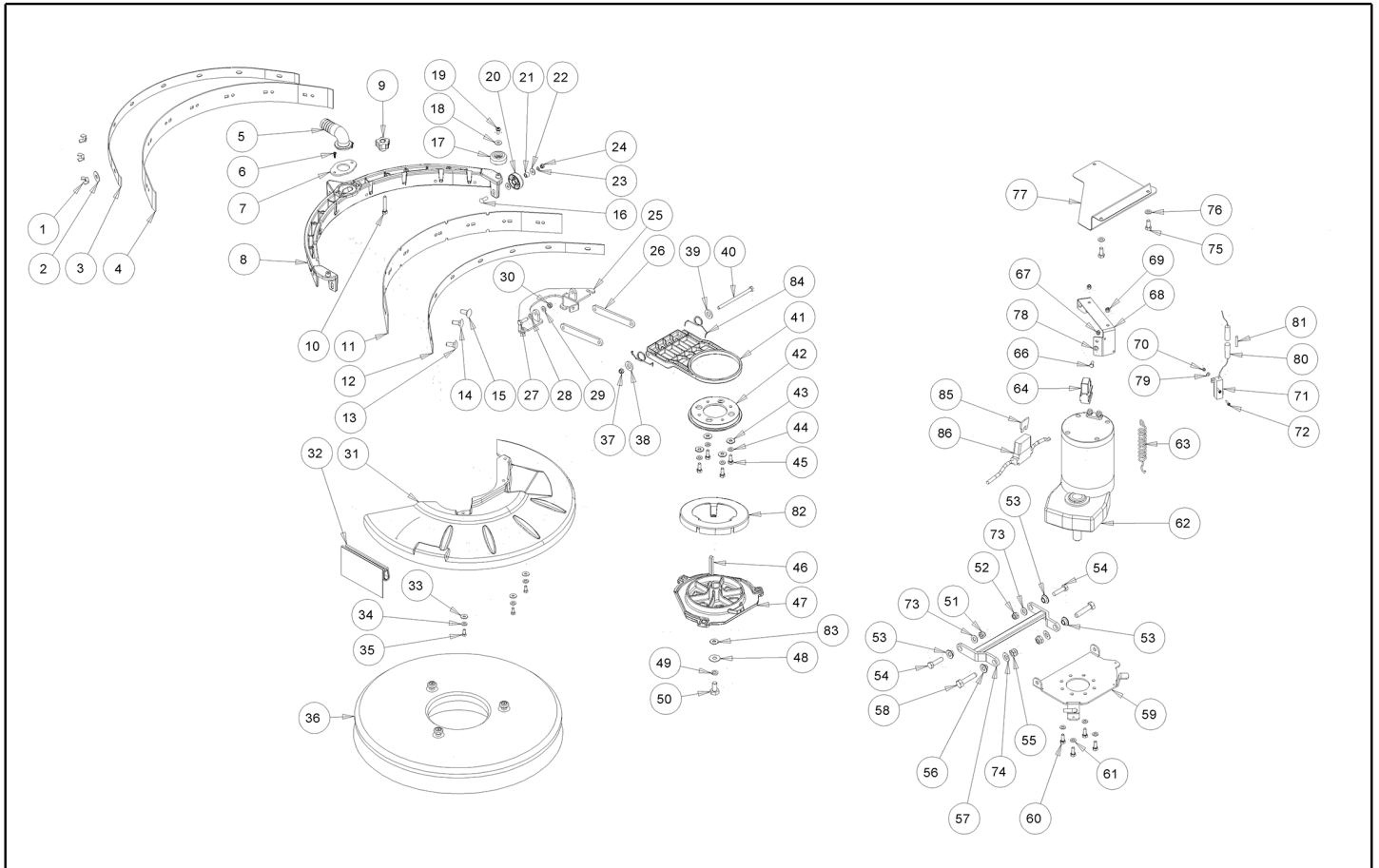
**Spare parts list**

Ref: LPTB02702

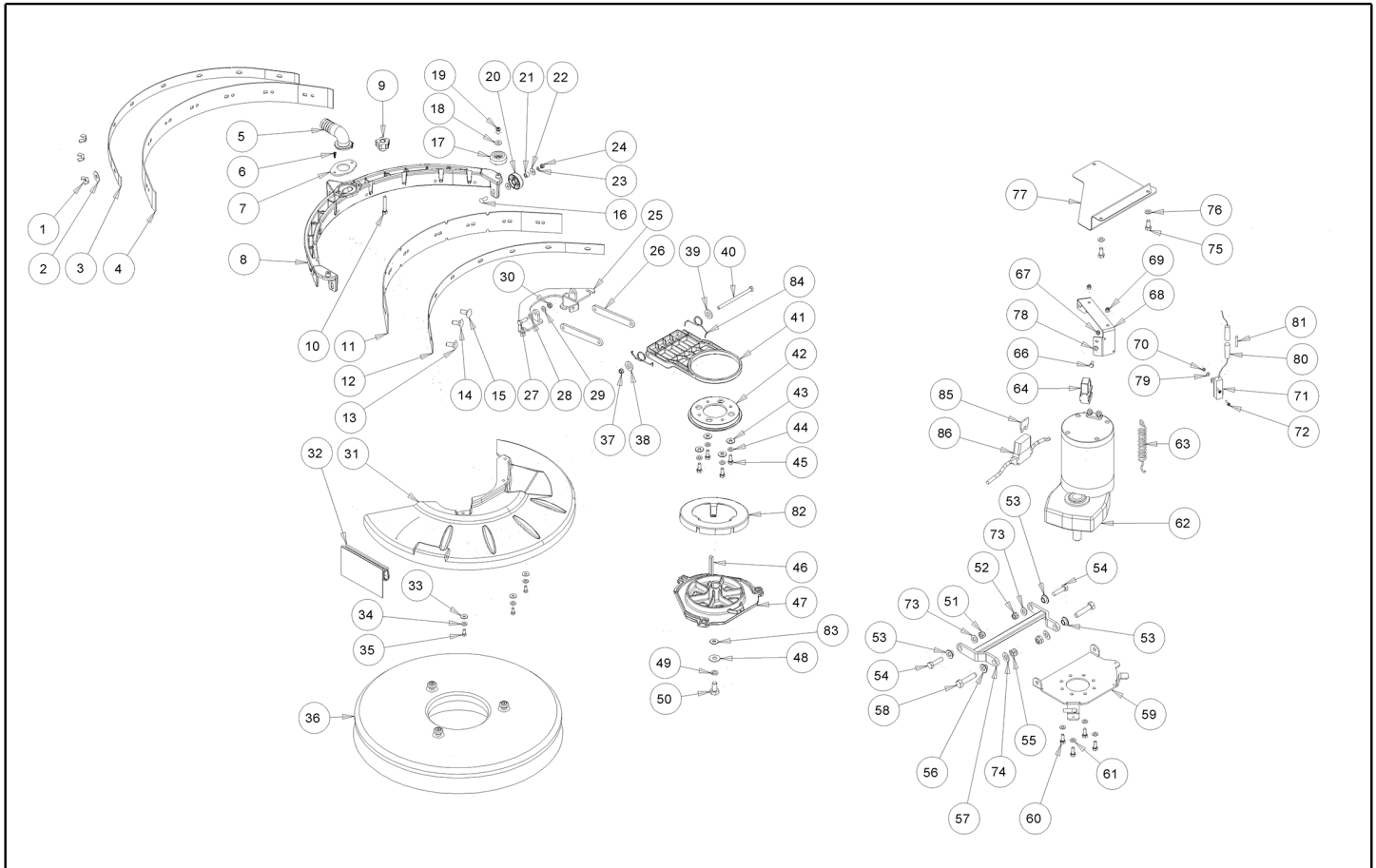
Model: FLOOR WASHER CT30 B45+BAT GR/VE JP/USA



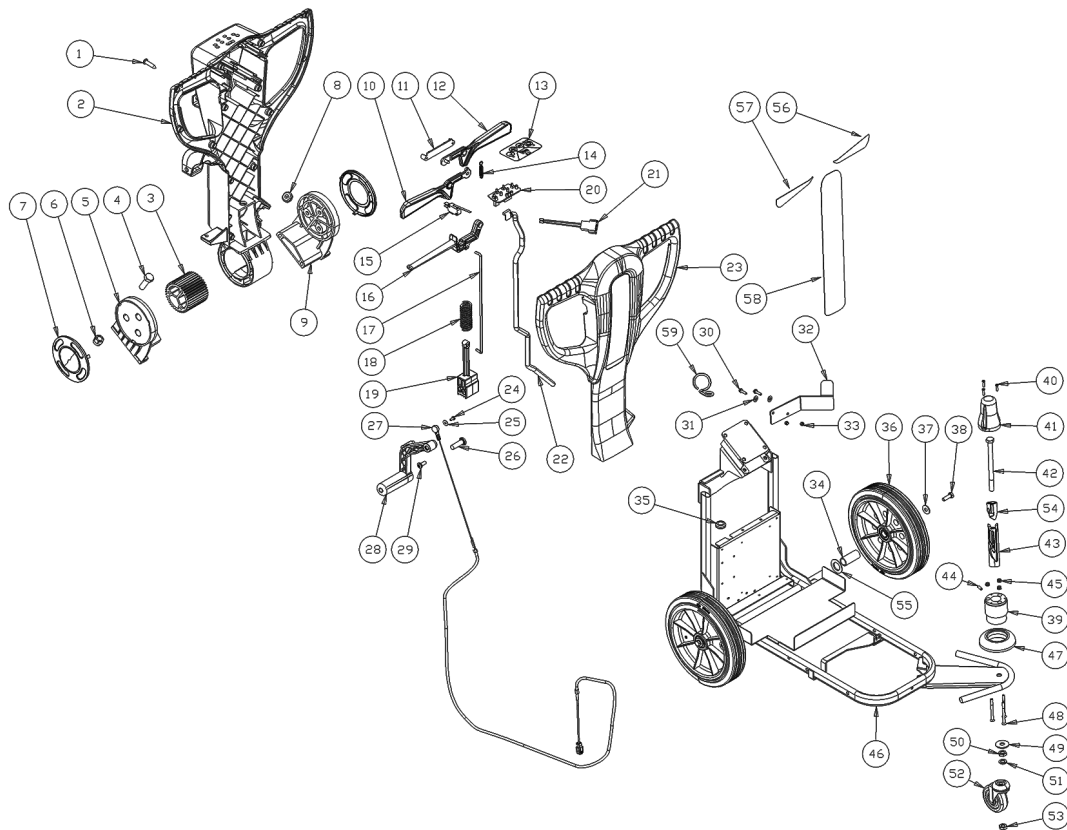
Ref. K	Part n.	Customer part n.	Description	Quantity	Validity		Price
					From	To	
0001	VTDD00522		NUT M5	6,00			--
0002	VTRS13750	SL06038	WASHER D. 5X14 INX	6,00			--
0003	LAFN07908		BRACKET -	1,00			--
0004	MPVR05954		FLAP SQUEEGEE REAR CT30	1,00			--
0005	MPVR05831		CONNECTOR ELBOW FITTING CT15-CT30	1,00			--
0006	VTVT48694	SL04371	SCREW TCB TC 5 X12 UNI 9707 TZ	2,00			--
0007	LAFN08890		FLANGE -	1,00			--
0008	MPVR05914		FLOOR WIPER YELLOW RAL1021	1,00			--
0009	MPVR05842		SMALL KNOB -	2,00			--
0010	VTVT15515	SL04261	SCREW TE M 6X 50 INOX A2	2,00			--
0011	MPVR05953		FLAP SQUEEGEE FRONT CT30	1,00			--
0012	LAFN07907		BRACKET -	1,00			--
0013	VTVT01690		SCREW M5x25	2,00			--
0014	VTVT01691		SCREW M5x35	2,00			--
0015	VTVT01691		SCREW M5x35	2,00			--
0016	VTVT01693		SCREW M5x20	3,00			--
0017	MPVR05832		WHEEL -	2,00			--
0018	VTRS13750	SL06038	WASHER D. 5X14 INX	2,00			--
0019	VTVT48694	SL04371	SCREW TCB TC 5 X12 UNI 9707 TZ	2,00			--
0020	MPVR05832		WHEEL -	3,00			--
0021	LAFN08913		BUSHING -	3,00			--
0022	VTRS13750	SL06038	WASHER D. 5X14 INX	6,00			--
0023	VTRS15908	SL06094	WASHER D. 5 INX GRW UNI 1751	3,00			--
0024	VTDD01693	SL05087	NUT M 5 INX	3,00			--
0025	LAFN07903		SUPPORT -	1,00			--
0026	LAFN07902		ARM -	2,00			--
0027	VTVT13939	11051239	SCREW TE 6X20 UNI5739 INX	2,00			--
0028	VTRS00245	SL06022	WASHER D.6 UNI 6592 INOX	2,00			--
0029	VTRS00245	SL06022	WASHER D.6 UNI 6592 INOX	2,00			--
0030	VTDD01694	SL05074	NUT M6 INOX	2,00			--
0031	MPVR05916		COVER BRUSH HEAD CT30	1,00			--
0032	MPVR05966		FLAP BRUSH SKIRT CT30	1,00			--
0033	VTRS13750	SL06038	WASHER D. 5X14 INX	3,00			--
0034	VTRS15908	SL06094	WASHER D. 5 INX GRW UNI 1751	3,00			--
0035	VTVT01300		SCREW TE M5X12 INOX	3,00			--
0036	SPPV01308		BRUSH CT30	1,00		29/04/2013	--
0036	SPPV01188		BRUSH CT30 NEW	1,00	30/04/2013		--
0037	VTDD01694	SL05074	NUT M6 INOX	1,00			--
0038	VTRS00245	SL06022	WASHER D.6 UNI 6592 INOX	1,00		27/01/2015	--
0038	VTRS13945	SL06039	WASHER D. 6X18 INX UNI 6593	1,00	28/01/2015		--
0039	VTRS00245	SL06022	WASHER D.6 UNI 6592 INOX	1,00		27/01/2015	--
0039	VTRS13945	SL06039	WASHER D. 6X18 INX UNI 6593	1,00	28/01/2015		--
0040	VTVT01692		SCREW M6X125	1,00		27/01/2015	--
0040	VTVT01385		SCREW M6X140	1,00	28/01/2015		--



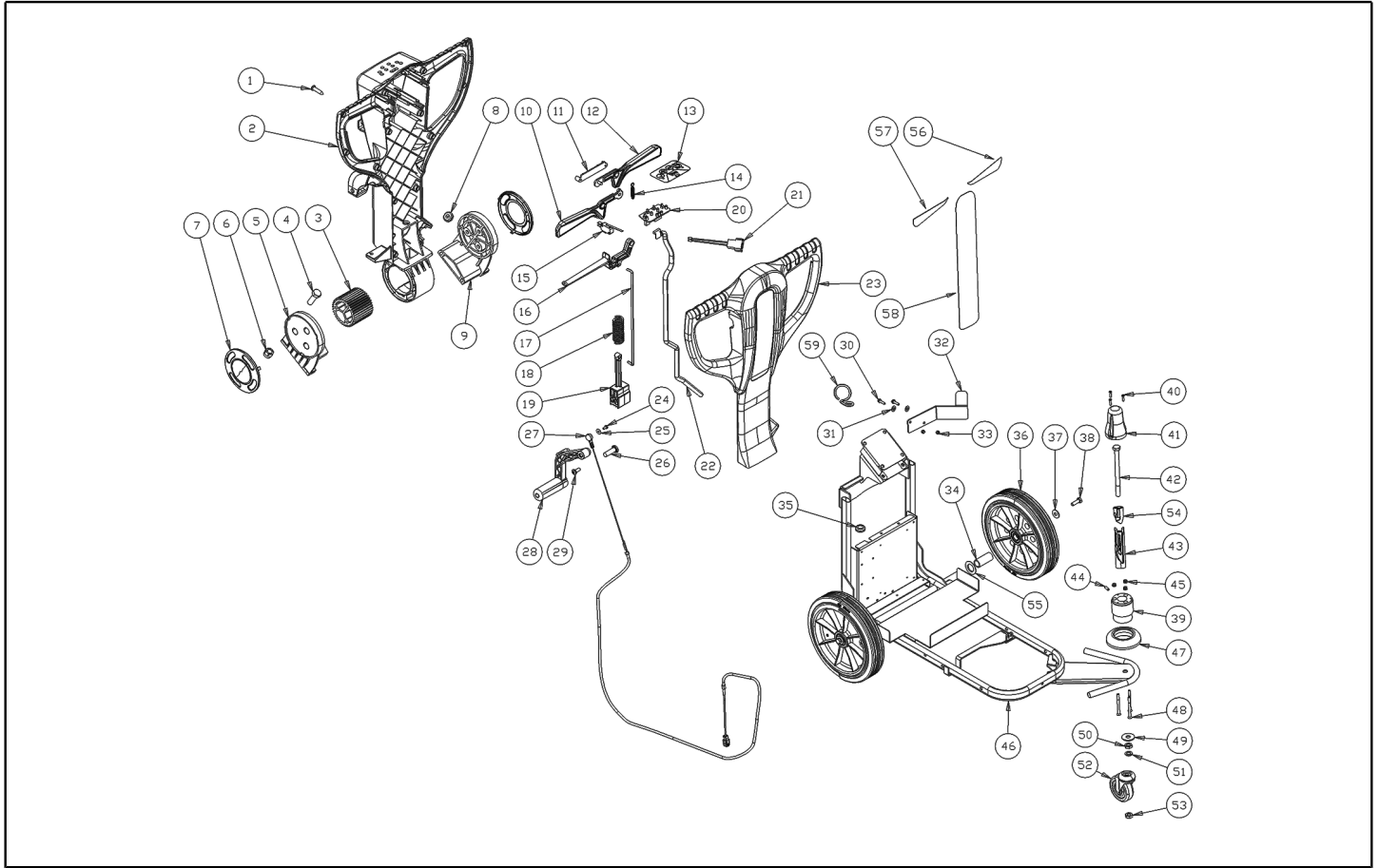
Ref. K	Part n.	Customer part n.	Description	Quantity	Validity		Price
					From	To	
0041	MPVR05829		SUPPORT -	1,00		27/01/2015	--
0041	MPVR07158		BODY SIDE SX	1,00	28/01/2015		--
0042	MPVR05830		BRACKET -	1,00		27/01/2015	--
0042	MPVR07161		BRACKET -	1,00	28/01/2015		--
0043	VTRS13945	SL06039	WASHER D. 6X18 INX UNI 6593	4,00			--
0044	VTRS15144	11051232	WASHER D. 6 INX GRW UNI 1751	4,00			--
0045	VTVT13939	11051239	SCREW TE 6X20 UNI5739 INX	4,00			--
0046	VTVR16617		KEY 6X 6X30 UNI 6604	1,00			--
0047	MFVR00212		DRIVE DISK	1,00			--
0048	VTRS13946	SL06025	WASHER D. 8 X24 INX UNI 6593	1,00			--
0049	VTRS15146	05519	WASHER D. 8 INX GRW UNI 1751	1,00			--
0050	VTVT13938	75362	SCREW TE 8X20 UNI5739 INX	1,00			--
0051	VTDD01695	SL05039	NUT M 8 INX	1,00			--
0052	VTDD01695	SL05039	NUT M 8 INX	1,00			--
0053	LAFN06391		BUSHING PARALLELOGRAMMA	3,00			--
0054	VTVT00410	SL04127	SCREW TE M8x35 UNI5739 INOX	2,00		14/04/2014	--
0054	VTVT01378		SCREW TBEI M8X35	2,00	15/04/2014		--
0055	VTDD01695	SL05039	NUT M 8 INX	2,00			--
0056	LAFN51068		Bushing	1,00			--
0057	LAFN07910		BRACKET -	1,00			--
0058	VTVT15907	SL04145	SCREW TE 8X25 UNI5739 INX	2,00		14/04/2014	--
0058	VTVT01195		SCREW TBEI M 8X 25 ISO 7380 IX	2,00	15/04/2014		--
0059	LAFN07905		SUPPORT -	1,00			--
0060	VTVT15906	SL04180	SCREW TE 6X 12 A2 UNI 5739	4,00			--
0061	VTRS15144	11051232	WASHER D. 6 INX GRW UNI 1751	4,00			--
0062	MOCC00406		MOTOR BRUSH CT30B	1,00		27/03/2013	--
0062	MOCC00431		MOTOR CT30 B	1,00	28/03/2013		--
0063	MLML00065	60530	SPRING L0=80 De=12 Df=1.7	1,00		29/10/2013	--
0063	MLML00340		SPRING -	1,00	30/10/2013		--
0064	MECI00005	1180040	RELAY 24V 10/20A	1,00	13/09/2015		--
0066	VTVT34115	75019	SCREW TE M 5X 10 UNI 5739	1,00	13/09/2015		--
0067	VTDD01693	SL05087	NUT M 5 INX	1,00	13/09/2015		--
0068	LAFN07906		BRACKET -	1,00			--
0069	VTDD00128	SL05007	SELF-LOCJ.NUT M5	2,00			--
0070	VTDD21115	SL05019	NUT M 3 INOX	2,00		13/09/2015	--
0071	MEVR02066		RESISTANCE 3.3ohm 50W	1,00	13/09/2015		--
0072	VTVT00743	SL04213	SCREW TC+ M. 3-8	2,00	13/09/2015		--
0073	VTRS13947	75373	WASHER D. 8 INX UNI 6592	2,00			--
0074	VTRS13947	75373	WASHER D. 8 INX UNI 6592	4,00			--
0075	VTVT34115	75019	SCREW TE M 5X 10 UNI 5739	3,00			--
0076	VTRS13750	SL06038	WASHER D. 5X14 INX	3,00			--
0077	MPVR05957		PROTECTION -	1,00			--
0078	VTRS13750	SL06038	WASHER D. 5X14 INX	1,00		13/09/2015	--
0079	VTRS27296	1105772	WASHER GROWER 3 ZNT	2,00		13/09/2015	--



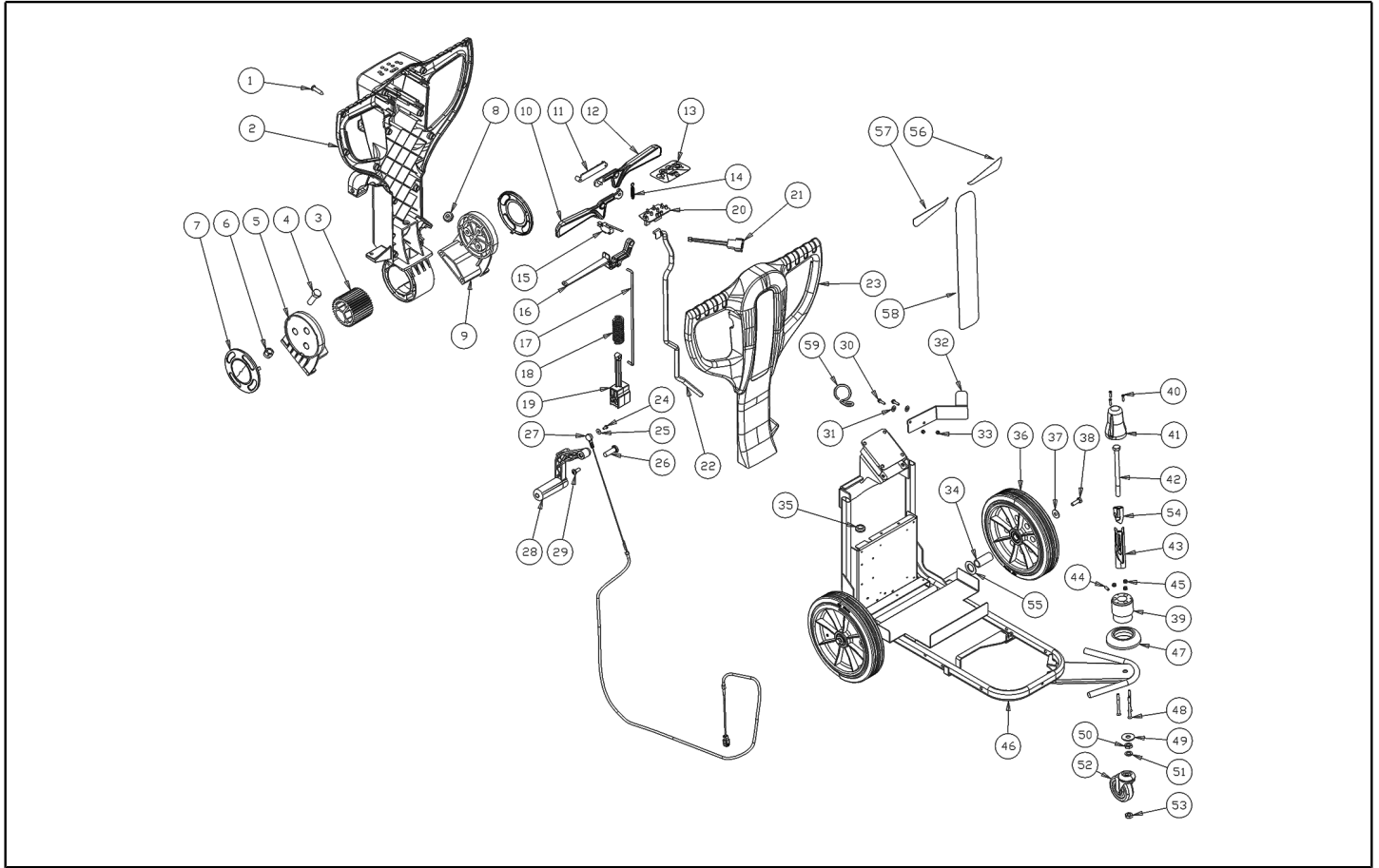
Ref. K	Part n.	Customer part n.	Description	Quantity	Validity		Price
					From	To	
0080	MEVR00080	1380090	FUSE-HOLDER PV610 10A	1,00	02/03/2012	13/09/2015	--
0081	MEVR01747		FUSE 6X32 3A T	1,00	02/03/2012	13/09/2015	--
0082	MPVR06045		CONVEYOR -	1,00		15/09/2017	--
0083	VTRS13947	75373	WASHER D. 8 INX UNI 6592	1,00	01/11/2014		--
0084	MLML00343		SPRING -	2,00	28/01/2015		--
0085	MEVR01136	SL23148	FUSE 30A	1,00			--
0086	MECB01384		WIRING	1,00			--



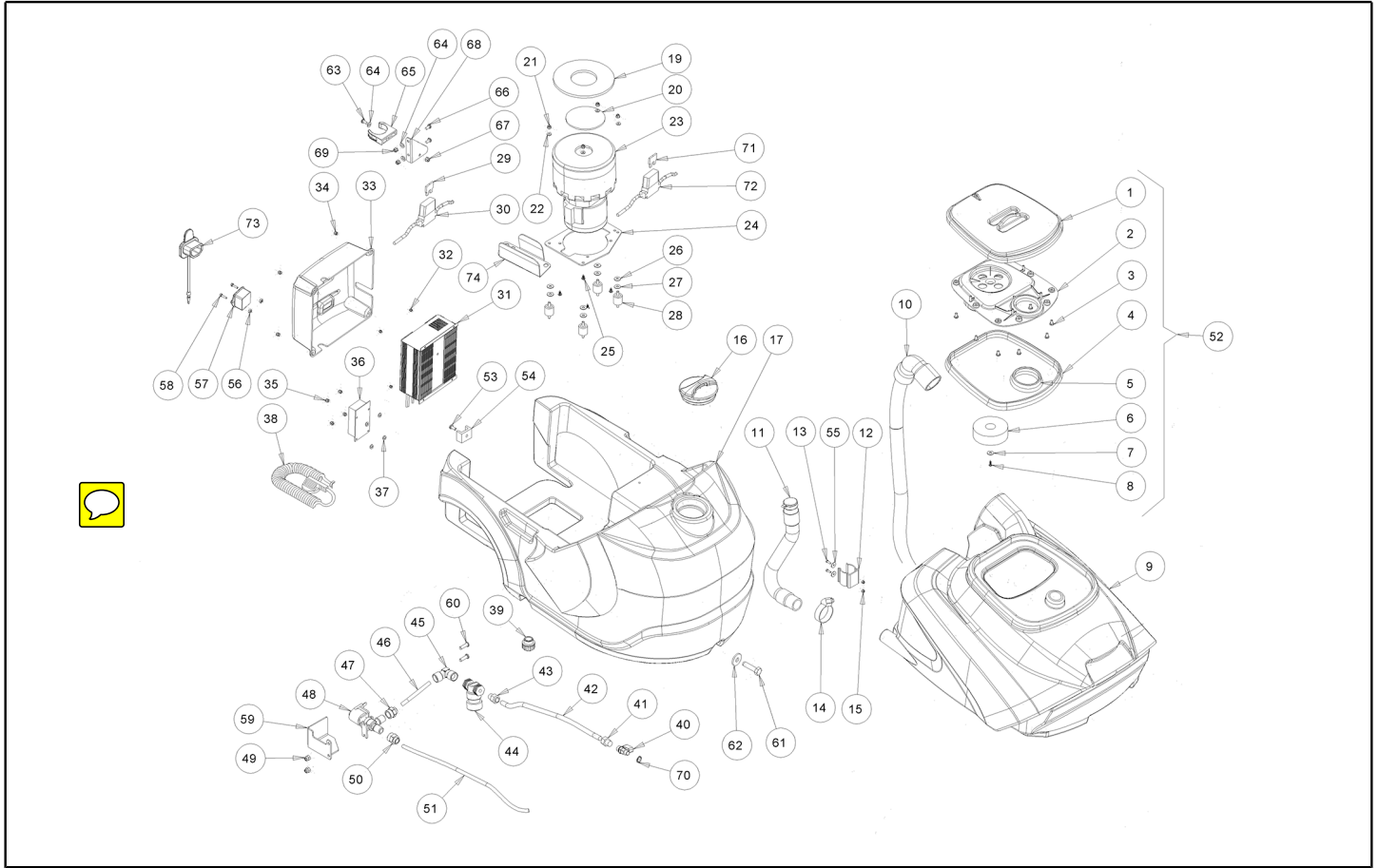
Ref. K	Part n.	Customer part n.	Description	Quantity	Validity		Price
					From	To	
0001	VTVT01371		SCREW 4,8X19	14,00			--
0002	MPVR06047		CRANKCASE -	1,00			--
0003	MPVR06056		GEAR -	1,00			--
0004	VTVT75724	1105231	SCREW TBCE ISO 7380 8X22 ZB	4,00			--
0005	MPVR06053		SHELL DX	1,00			--
0006	VTDD00124	SL05001	NUT M 8 BASSO	4,00			--
0007	MPVR06055		COVER -	2,00			--
0008	MPVR06057		FAIR-LEAD -	1,00			--
0009	MPVR06054		SHELL SX	1,00			--
0010	MPVR06049		LEVER DX	1,00			--
0011	MPVR06298		SUPPORT ELECTRONIC CARD	1,00			--
0012	MPVR06048		LEVER SX	1,00			--
0013	ETET01780		LABEL -	1,00		13/09/2015	--
0013	ETET01842		LABEL -	1,00	14/09/2015		--
0014	MLML00336		SPRING -	1,00			--
0015	MECI36393	SL23109	MICROSWITCH TRZ. DRW	1,00			--
0016	MPVR06050		LEVER ADJUSTMENT	1,00			--
0017	LAFN09221		LEVER RINVIO	1,00			--
0018	MLML00337		SPRING -	1,00			--
0019	MPVR06052		HANDLE SUPPORT	1,00			--
0020	MECE00554		BOARD LOGIC CT30 24V	1,00		13/09/2015	--
0020	S MECE00605		BOARD LOGIC CT30 24V	1,00	14/09/2015	15/06/2016	--
0020	MECE00740		BOARD LOGIC CT15R-CT45BT	1,00	16/06/2016		--
0021	MECB01325		WIRING PUSH BOTTON CT45 B	1,00		13/09/2015	--
0021	MECB01324		WIRING PUSH BOTTON CT45 C	1,00	14/09/2015		--
0022	MECB01326		WIRING FLAT CABLE CT45	1,00		13/09/2015	--
0022	MECB01257		CABLE RIBBON CT15	1,00	14/09/2015	25/11/2015	--
0022	MECB01396		WIRING	1,00	26/11/2015		--
0023	MPVR06046		CRANKCASE NEW HANDLE FRONT 15-30-45	1,00			--
0024	VTVT00800	SL04303	SCREW TC 4X12 ZN	1,00			--
0025	VTRS00251	SL06031	WASHER 4-16 INOX A2	1,00			--
0026	LAFN09248		PIN -	1,00			--
0027	CMCV00463		CABLE LIFTING SQUEEGEE CT15-30	1,00			--
0028	MPVR49942	SL17614	LEVER SQUEEGEE LIFTING PP	1,00			--
0029	VTVT00796		SCREW TC 6X12	1,00			--
0030	VTVT15143	SL04135	SCREW TE 6X16 UNI5739	2,00			--
0031	VTRS00245	SL06022	WASHER D.6 UNI 6592 INOX	2,00			--
0032	LAFN09171		BRACKET -	1,00			--
0033	VTDD01694	SL05074	NUT M6 INOX	2,00			--
0034	LAFN09154		BUSHING CT30	2,00		22/06/2016	--
0034	LAFN11016		SPACER -	2,00	23/06/2016		--
0035	MEVR00686	71003	FAIR-LEAD DIAMETER 15.5	1,00			--
0036	RTRT00537		WHEEL GRAY d.250 CT15-30-45	2,00			--
0037	VTRS00512	RS01113	WASHER D. 8 X24 ZC.	2,00			--



Ref. K	Part n.	Customer part n.	Description	Quantity	Validity		Price
					From	To	
0038	VTVT01110	05000	SCREW TE 8X16 UNI5739	2,00			--
0039	MPVR07136		BUSHING -	1,00			--
0040	VTVT00044	1105362	SCREW TC AF.X PLAS UNI9707 4X16	3,00			--
0041	MPVR07133		COVER -	1,00			--
0042	VTVT01171		SCREW TE M12x170 UNI5737	1,00			--
0043	MPVR07135		PIN -	1,00		26/04/2015	--
0043	MPVR06462		PIN -	1,00	27/04/2015		--
0044	VTVT01382		PIN -	1,00			--
0045	VTDD01694	SL05074	NUT M6 INOX	3,00			--
0046	LAFN07901		FRAME -	1,00			--
0047	MPVR07134		WHEEL -	1,00			--
0048	VTVT01160		SCREW M6x65	3,00			--
0049	VTRS09142	1105328	WASHER UNI 6593 12X36X2,5	1,00			--
0050	VTDD00502		NUT M12	1,00			--
0051	VTRS15919		WASHER D.12 GROVER UNI 1751 INX	1,00			--
0052	RTRT00550		WHEEL -	1,00		28/02/2017	--
0052	RTRT00633		WHEEL -	1,00	01/03/2017		--
0053	VTDD00176	SL05092	NUT M.12 INOX A2 BASSO AUTOB.	1,00			--
0054	MPVR06461		PIN -	1,00	27/04/2015		--
0055	VTRS00364		THICKNESS 18X25X1	4,00	04/09/2015	22/06/2016	--
0056	ETET01775		LABEL CT15 BLUE	1,00			--
0056	ETET01773		LABEL CT15 RED	1,00			--
0056	ETET01770		LABEL CT15 GREEN	1,00			--
0057	ETET01775		LABEL CT15 BLUE	1,00			--
0057	ETET01773		LABEL CT15 RED	1,00			--
0057	ETET01770		LABEL CT15 GREEN	1,00			--
0058	ETET01774		LABEL CT15 BLUE	1,00			--
0058	ETET01772		LABEL CT15 RED	1,00			--
0058	ETET01769		LABEL CT15 GREEN	1,00			--
0059	LAFN11049		HOOK -	1,00	15/04/2016		--

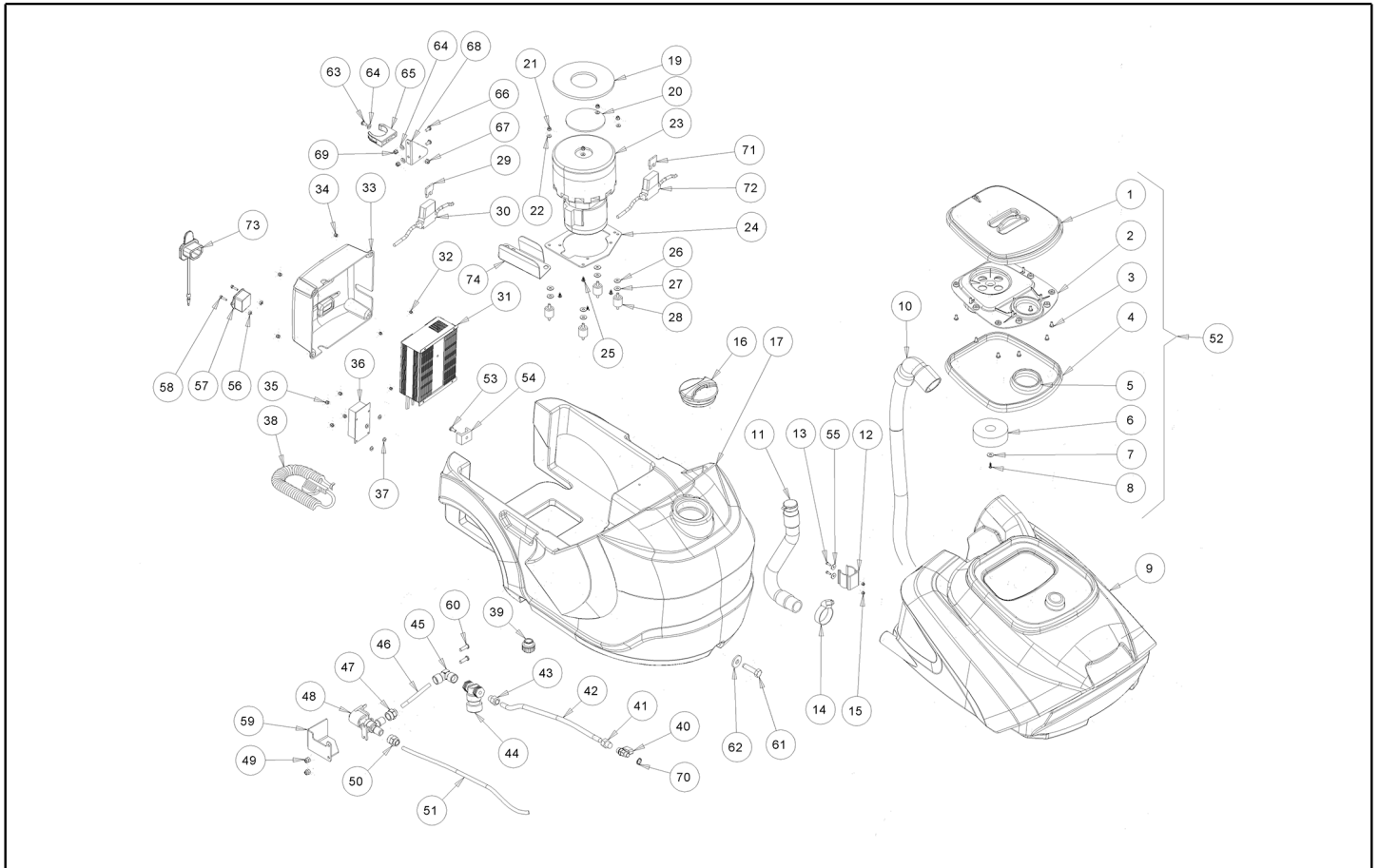


Ref. Part n.	Cust. part n.	Description	Reference	Price
KTRI04750		KIT NEW PCB CT30B AND CT45B	0020	--

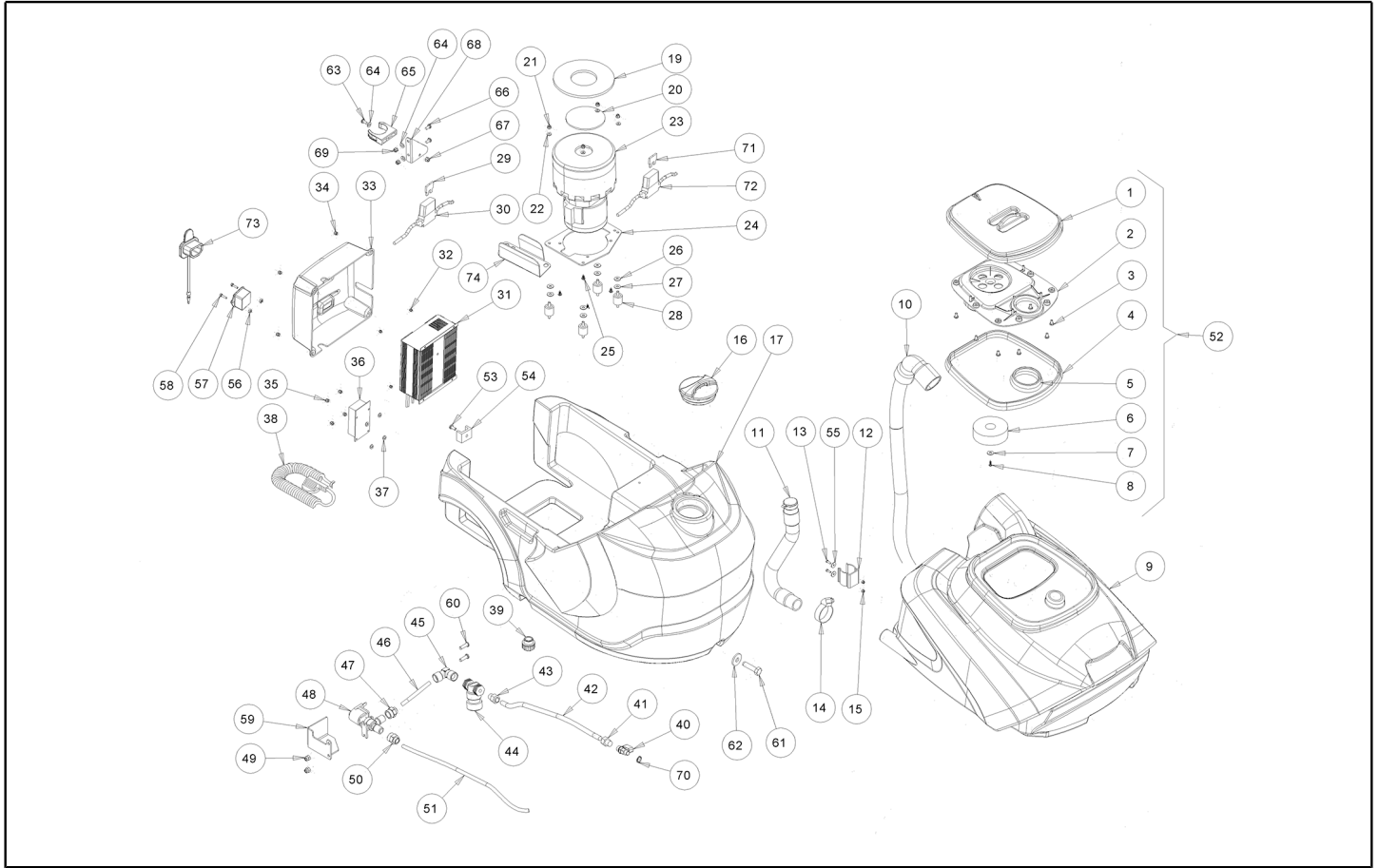


Ref. K	Part n.	Customer part n.	Description	Quantity	Validity		Price
					From	To	
0001	MPVR05825		COVER -	1,00			--
0002	MPVR05826		COVER -	1,00			--
0003	VTVT01694		SCREW TCB TC 5 X10 UNI 9707 TZ	8,00			--
0004	GUVR00306		GASKET -	1,00			--
0005	GUVR00307		GASKET -	1,00			--
0006	MPVR05836		FLOATER -	1,00			--
0007	VTRS00573		WASHER 30x6x3	1,00			--
0008	VTVT48694	SL04371	SCREW TCB TC 5 X12 UNI 9707 TZ	1,00			--
0009	MPVR05912		TANK RECOVERY CT30 PANTONE 368	1,00			--
0010	KTRI04697		KIT REPLACEMENT TBFX00351	1,00			--
0011	TBFX00350		TUBE HOSE DRAIN CT30	1,00			--
0012	MPVR46988	SL13118	CLIP LAV. SHK	1,00			--
0013	VTVT29884	1105002	SCREW TE UNI 5739 4X16 ZB	2,00			--
0014	FSVR00002	1500003	CLAMP EKOFLEX 9 23-35	1,00		08/12/2014	--
0014	FSVR00095	SL14099	CLAMP 30-45	1,00	09/12/2014		--
0015	VTDD04369	75259	NUT M 4 TEF UNI 7473	2,00			--
0016	MPVR05188		CAP SOLUTION TANK	1,00			--
0017	MPVR05913		TANK SOLUTION CT30 RAL7024	1,00			--
0019	GUGO00444		GASKET -	1,00		22/09/2016	--
0019	GUGO00498		GASKET	1,00	23/09/2016		--
0020	LAFN05830	SL39298	NET FERMA FILTRO INOX	1,00			--
0021	VTDD07727	SL05016	NUT M 5 INOX	4,00			--
0022	VTRS15908	SL06094	WASHER D. 5 INX GRW UNI 1751	4,00			--
0023	MEVR05200		CARBON MOTORE ASP.AMET.116599-13	2,00			--
0023	MOCC00397		MOTOR VACUUM CT15-CT30	1,00			--
0024	LAFN08894		PLATE -	1,00			--
0025	VTVT48694	SL04371	SCREW TCB TC 5 X12 UNI 9707 TZ	4,00			--
0026	VTRS13750	SL06038	WASHER D. 5X14 INX	4,00			--
0027	VTRS13750	SL06038	WASHER D. 5X14 INX	4,00			--
0028	ABGO00052		VIBRATION DAMP. -	4,00			--
0029	MEVR02048		FUSE 40A	1,00			--
0030	MECB01286		WIRING FUSE HOLDER CT30 BATTERY	1,00			--
0031	BACA00156		BATTERY-CHARGER 24V 10A CT30	1,00		18/02/2013	--
0031	BACA00166		BATTERY-CHARGER 24V 10A CT30	1,00	19/02/2013		--
0032	VTDD00001	1105120	NUT UNI 5588 M3 ZB	4,00			--
0033	MPVR05915		COVER -	1,00		21/07/2014	--
0033	MPVR06234		COVER CT30	1,00	22/07/2014		--
0034	VTDD04368	05090	NUT M 4 ZIN UNI 5588	4,00			--
0035	VTDD04368	05090	NUT M 4 ZIN UNI 5588	4,00			--
0036	MECE00529		BOARD POWER CT15-CT30	1,00		11/04/2013	--
0036	MECE00578		BOARD POWER CT15-CT30	1,00	12/04/2013	13/09/2015	--
0036	S MECE00606		BOARD POWER CT15-CT30-45	1,00	14/09/2015	05/04/2016	--
0036	MECE00741		BOARD POWER CT45B-BT	1,00	06/04/2016	13/07/2016	--
0036	MECE00742		BOARD POWER CT15-30-45B-BT	1,00	14/07/2016		--





Ref. K	Part n.	Customer part n.	Description	Quantity	Validity		Price
					From	To	
0037	VTRS00377		WASHER M4	4,00			--
0038	MECB00923		EXTENSION AWG18 US PLUG	1,00			--
0039	MPVR08003		CAP	1,00		01/11/2016	--
0039	MPVR10774		CAP 1/2"	1,00	02/11/2016		--
0040	RCGR00081		VALVE -	1,00			--
0041	RCVR00770		CONNECTOR 1/8	1,00			--
0042	TBBP00481		TUBE -	0,32			--
0043	RCVR00771		CONNECTOR 1/4	1,00		10/09/2013	--
0043	RCVR00789		CONNECTOR -	1,00	11/09/2013		--
0044	FTAC00042		FILTER -	1,00		28/02/2012	--
0044	FTAC00044		FILTER CT15-CT30	1,00	29/02/2012		--
0045	RCVR00773		CONNECTOR 1/4	1,00			--
0046	TBBP00481		TUBE -	0,20			--
0047	RCVR00772		CONNECTOR 1/4	1,00			--
0048	PMVR01983		SOLENOID VALVE CT30	1,00			--
0049	VTVT48694	SL04371	SCREW TCB TC 5 X12 UNI 9707 TZ	2,00		22/05/2013	--
0049	VTDD00055	75289	NUT M 4 ATB A2	2,00	23/05/2013		--
0050	RCVR00772		CONNECTOR 1/4	1,00			--
0051	TBBP00481		TUBE -	0,48			--
0052	KTRI01989		CT15 DIRTY WATER TOP LID	1,00			--
0053	VTVT00311	75218	SCREW TE M4X12	1,00			--
0054	FVSR00243		CLAMP 20/30	1,00			--
0055	VTRS05904	1105807	WASHER UNI 6592 4X16 ZB	2,00			--
0056	VTDD00001	1105120	NUT UNI 5588 M3 ZB	2,00			--
0057	MEVR02074		PLUG IEC	1,00			--
0058	VTVT00035	1105300	SCREW M 3X 8 TS TC ZC	2,00			--
0059	LAFN07948		PROTECTION ELETTROVALVOLA	1,00	23/05/2013		--
0060	VTVT15924	1105494	SCREW TCTC 4X16 ACCIAIO INOX	2,00	23/05/2013		--
0061	VTVT01376		SCREW TE M 5X 35 UNI 5739	1,00			--
0062	VTRS13750	SL06038	WASHER D. 5X14 INX	1,00			--
0063	VTVT15924	1105494	SCREW TCTC 4X16 ACCIAIO INOX	1,00	10/09/2014		--
0064	VTRS00515	SL06032	WASHER D. 4 INX	3,00	10/09/2014		--
0065	MPVR05841		CLIP -	1,00	10/09/2014		--
0066	VTVT15965	SL04346	SCREW TCB-TC 4X12 UNI7687 INX	2,00	10/09/2014		--
0067	VTDD15925	SL05078	NUT M 4 INX	1,00	10/09/2014		--
0068	LAFN09354		BRACKET -	1,00	10/09/2014		--
0069	VTDD15925	SL05078	NUT M 4 INX	2,00	10/09/2014		--
0070	GUGO03500	1160049	O-RING D. 6.75 X 1.78 NBR 70SH	1,00	22/04/2015		--
0071	MEVR00039	1380017	FUSE LAMELLARE 20A	1,00			--
0072	MECB01384		WIRING	1,00			--
0073	MPVR10801		CAP IEC	1,00	16/01/2017		--
0074	LAFN11082		BRACKET -	1,00	16/01/2017		--



Ref. Part n.	Cust. part n.	Description	Reference	Price
KTRI04750		KIT NEW PCB CT30B AND CT45B	0036	--