

**IPC Integrated Professional Cleaning**

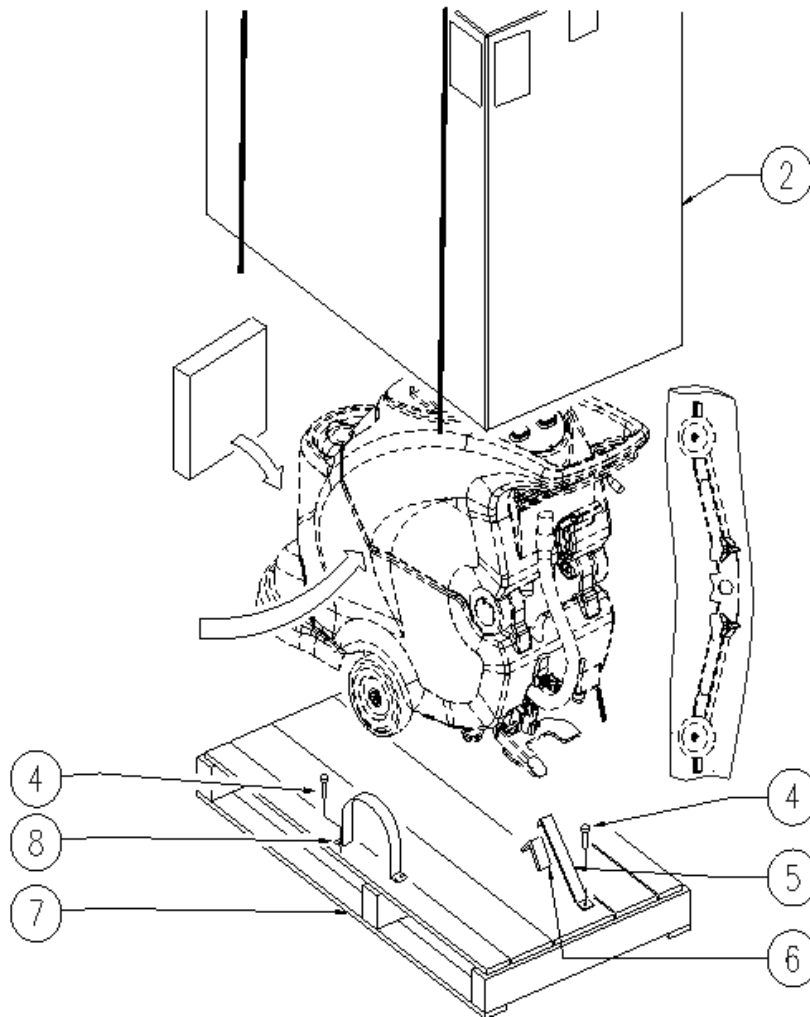
**IPC Gansow**

## Spare Parts List

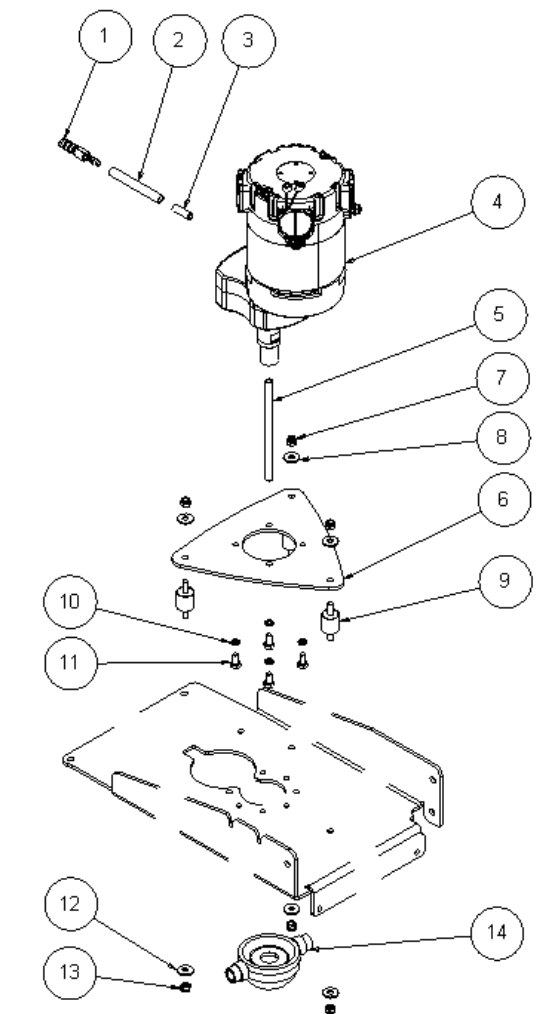
IPC EAGLE

Ref: LPTB02535

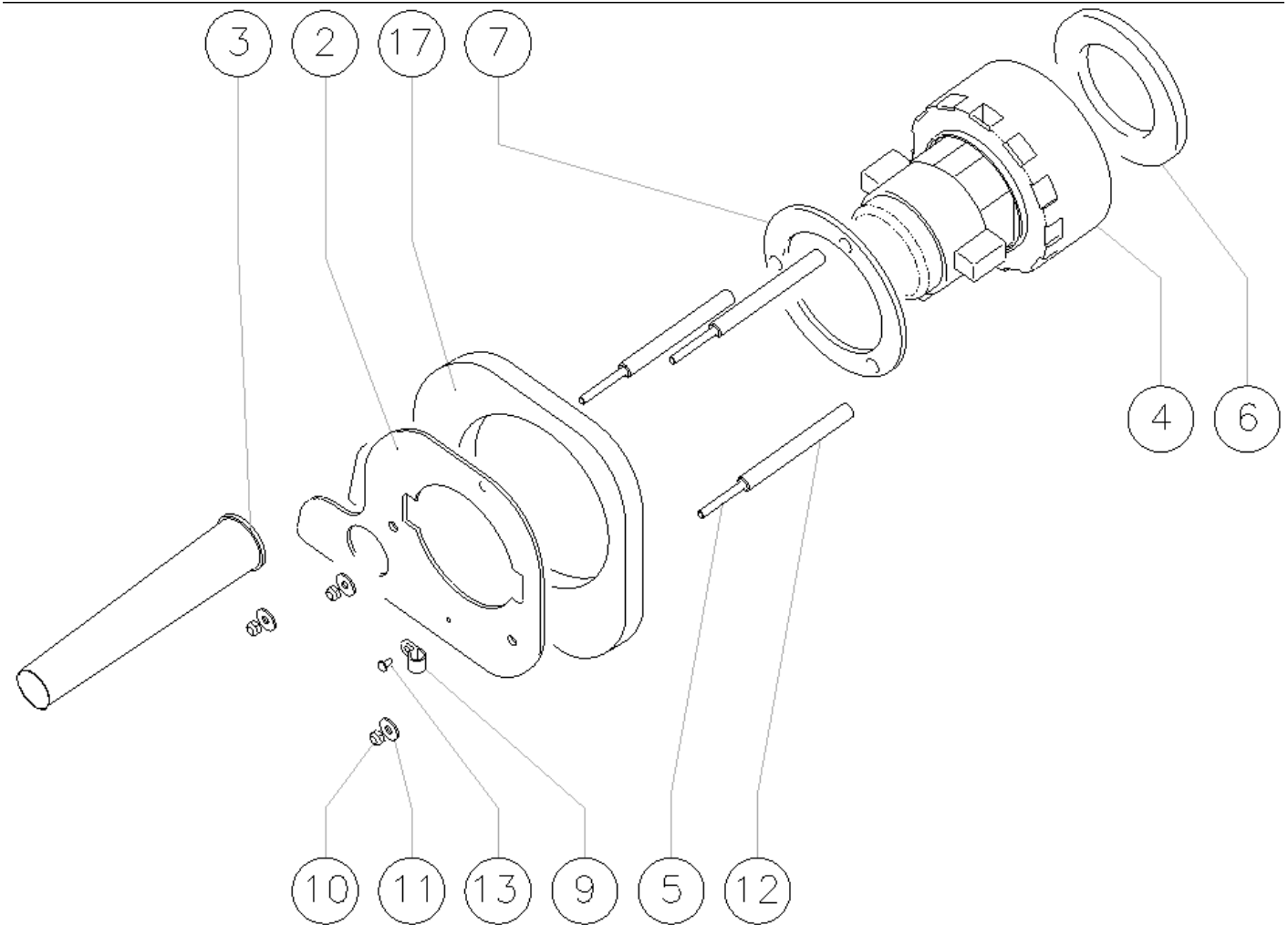
Model: CT40 BT50 ECS+CD GR/VE USA



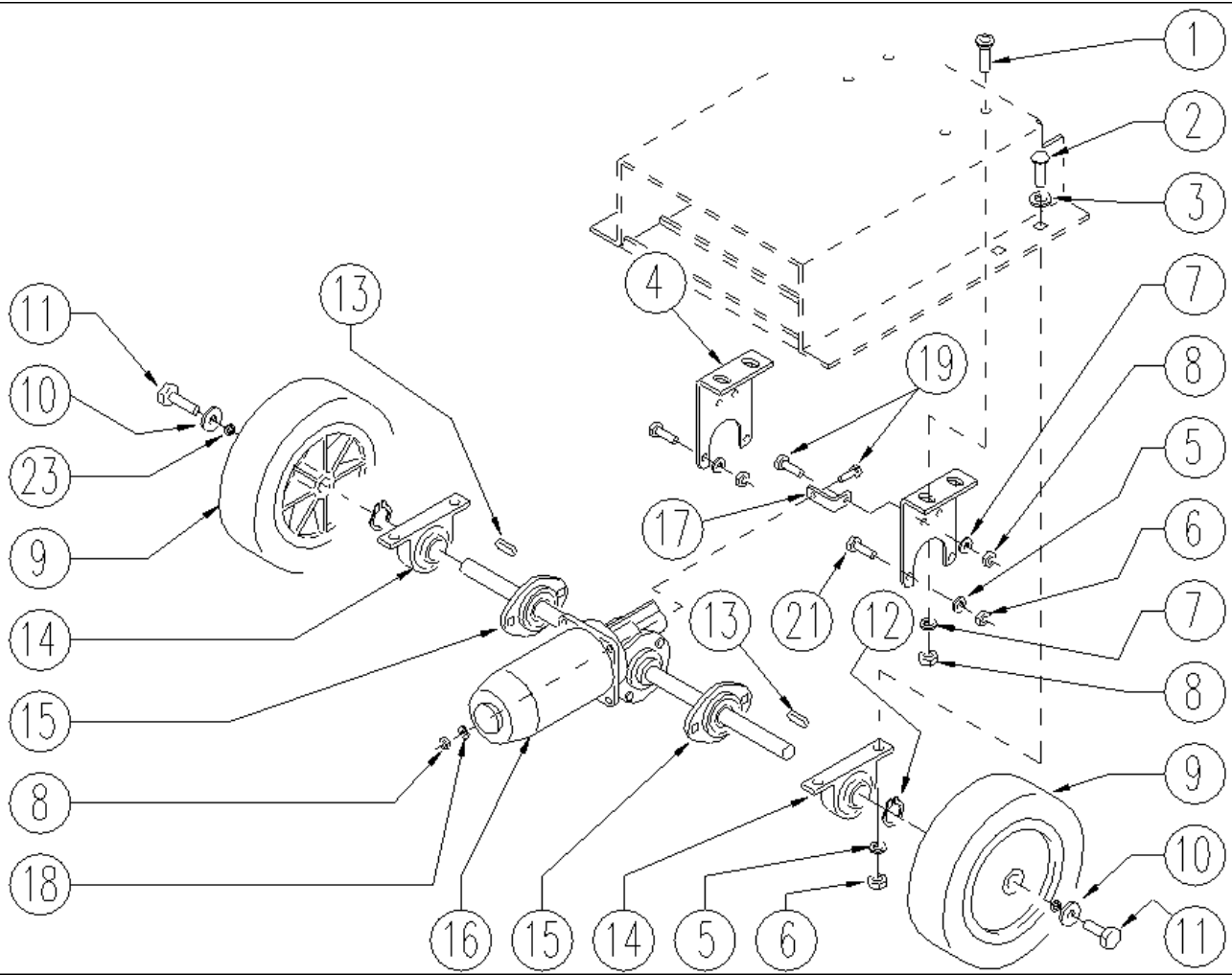
| Ref. | K | Part N.   | Customer Part N. | Description                     | Qty  | Validity: |    | Price |
|------|---|-----------|------------------|---------------------------------|------|-----------|----|-------|
|      |   |           |                  |                                 |      | From      | To |       |
| 0002 |   | MICT00147 |                  | CARTON IMBALLO RULLI            | 1,00 |           |    | --    |
| 0004 |   | VTVT00043 |                  | SCREW AUTOF.LEGNO 4,5X25 TS BR  | 9,00 |           |    | --    |
| 0005 |   | MIVR00137 |                  | CLAMP RUOTA POSTERIORE X IMBAL. | 1,00 |           |    | --    |
| 0006 |   | GUGO00009 |                  | MOUSSE                          | 0,05 |           |    | --    |
| 0007 |   | MIBA00077 |                  | PALLET RULLI                    | 1,00 |           |    | --    |
| 0008 |   | MIVR00135 |                  | CLAMP RUOTA POSTERIORE X IMBAL. | 2,00 |           |    | --    |



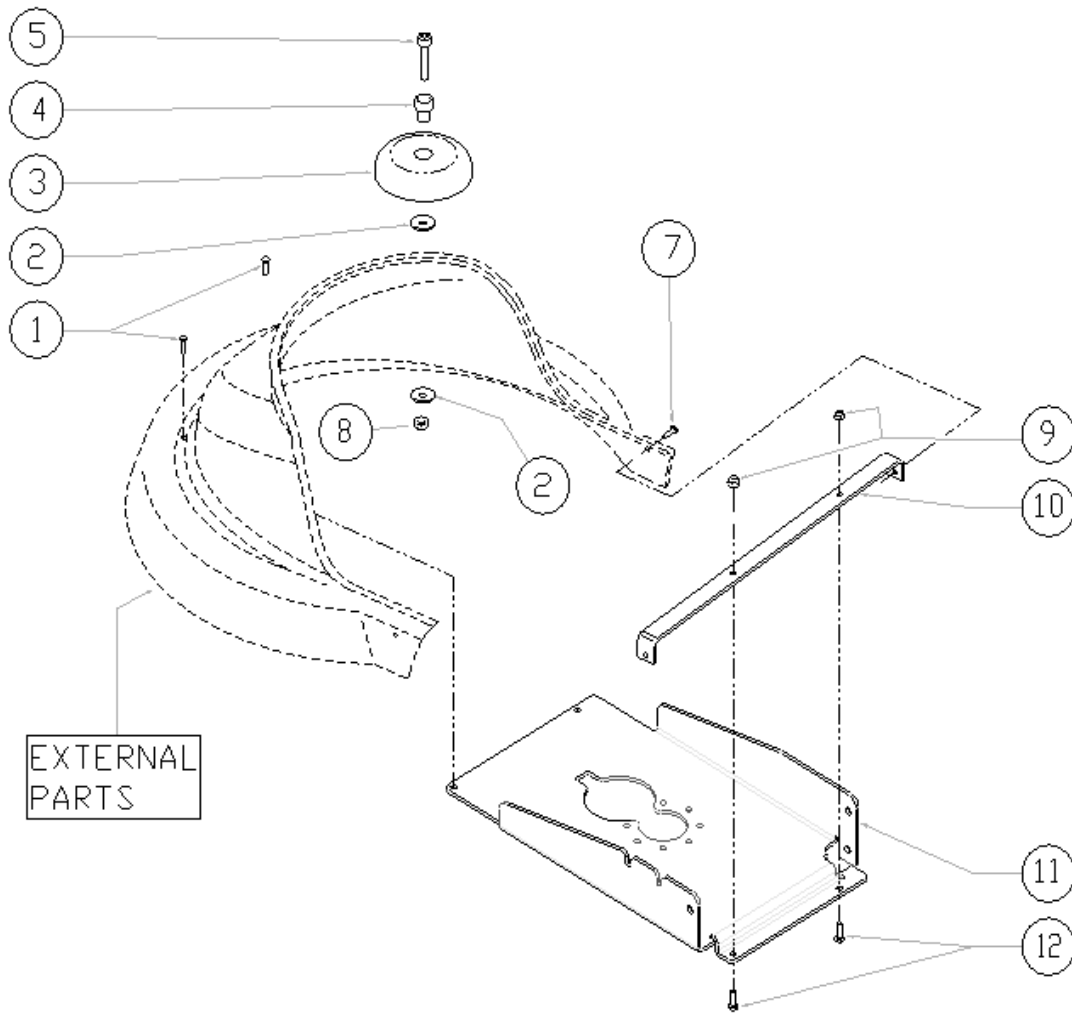
| Ref. K | Part N.   | Customer Part N. | Description                  | Qty  | Validity: |    | Price |
|--------|-----------|------------------|------------------------------|------|-----------|----|-------|
|        |           |                  |                              |      | From      | To |       |
| 0001   | MPVR05610 |                  | CONNECTOR -                  | 1,00 |           |    | --    |
| 0002   | TBBP00003 |                  | TUBE CRISTALLO 6X9           | 0,34 |           |    | --    |
| 0003   | LAFN07627 |                  | BUSHING -                    | 1,00 |           |    | --    |
| 0004   | MEVR01669 |                  | CARBON X MOT.COD.MOCC00298   | 1,00 |           |    | --    |
| 0004   | MOCC00368 |                  | MOTOR -                      | 1,00 |           |    | --    |
| 0005   | LAFN07630 |                  | BUSHING -                    | 1,00 |           |    | --    |
| 0006   | LAFN07626 |                  | FLANGE -                     | 1,00 |           |    | --    |
| 0007   | VTDD01694 |                  | NUT M6 INOX                  | 3,00 |           |    | --    |
| 0008   | VTRS04026 |                  | WASHER D. 6X18X2.38          | 3,00 |           |    | --    |
| 0009   | ABGO00051 |                  | VIBRATION DAMP.-             | 3,00 |           |    | --    |
| 0010   | VTRS15144 |                  | WASHER D. 6 INX GRW UNI 1751 | 4,00 |           |    | --    |
| 0011   | VTVT15906 |                  | SCREW TE 6X 12 A2 UNI 5739   | 4,00 |           |    | --    |
| 0012   | VTRS04026 |                  | WASHER D. 6X18X2.38          | 3,00 |           |    | --    |
| 0013   | VTDD01694 |                  | NUT M6 INOX                  | 3,00 |           |    | --    |
| 0014   | MFVR00134 |                  | DRIVE DISK SPAZZOLE          | 1,00 |           |    | --    |



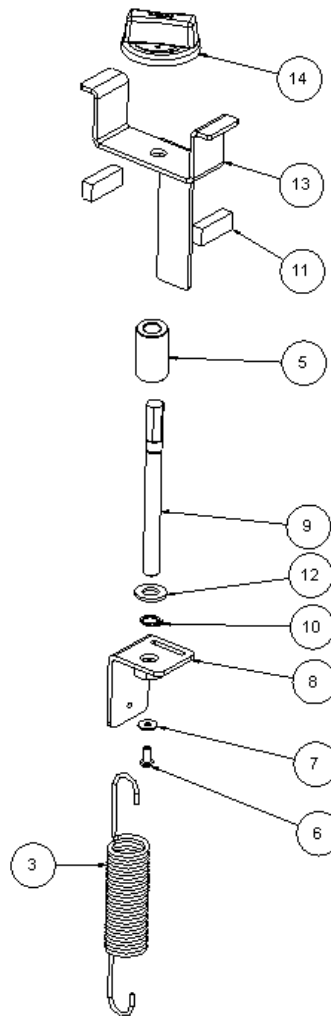
| Ref. K | Part N.   | Customer Part N. | Description                      | Qty  | Validity: |    | Price |
|--------|-----------|------------------|----------------------------------|------|-----------|----|-------|
|        |           |                  |                                  |      | From      | To |       |
| 0002   | LAFN06363 |                  | FLANGE ASPIRATORE                | 1,00 |           |    | --    |
| 0003   | MPVR05259 |                  | TUBE SCARICO                     | 1,00 |           |    | --    |
| 0004   | MEVR05200 |                  | CARBON MOTORE ASP.AMET.116599-13 | 2,00 |           |    | --    |
| 0004   | MOCC00342 |                  | VACUUM CLEANER 24V               | 1,00 |           |    | --    |
| 0005   | VTVT00785 |                  | ROD FILETTO                      | 3,00 |           |    | --    |
| 0006   | GUGO00272 |                  | GASKET VACUUM MOTOR CT           | 1,00 |           |    | --    |
| 0007   | MPVR04724 |                  | FLANGE IN NYLON                  | 1,00 |           |    | --    |
| 0009   | FSVR00099 |                  | CLAMP FERMATUBO                  | 1,00 |           |    | --    |
| 0010   | VTDD01694 |                  | NUT M6 INOX                      | 3,00 |           |    | --    |
| 0011   | VTRS13945 |                  | WASHER D. 6X18 INX UNI 6593      | 3,00 |           |    | --    |
| 0012   | LAFN51077 |                  | SPACER PH                        | 3,00 |           |    | --    |
| 0013   | VTVT00813 |                  | SCREW M 4X 8 TCB-TC UNI 8112     | 1,00 |           |    | --    |
| 0017   | MPVR05103 |                  | SOUND-PROOFING ASPIRATORE        | 1,00 |           |    | --    |



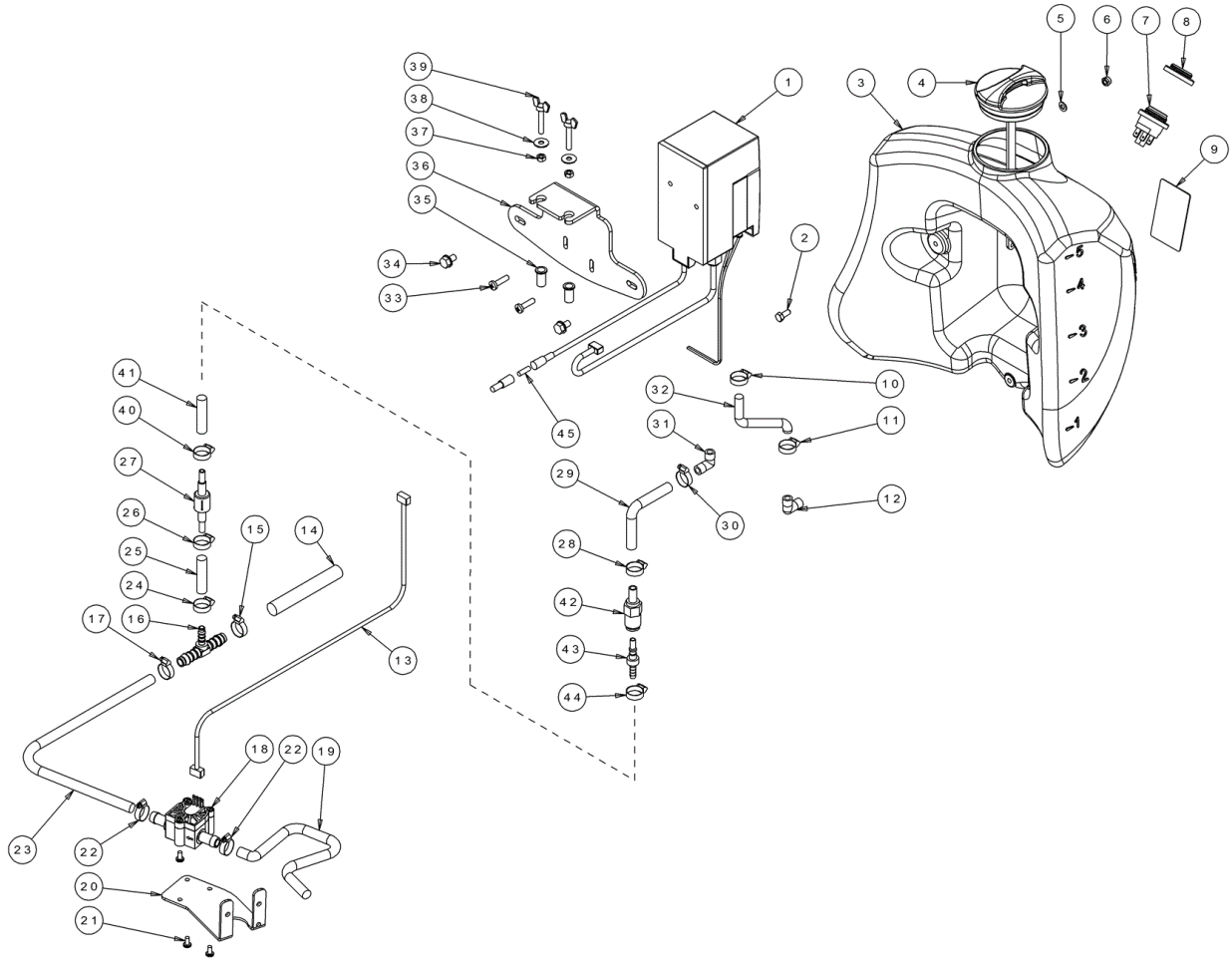
| Ref. | K | Part N.   | Customer Part N. | Description                  | Qty  | Validity: |         | Price |
|------|---|-----------|------------------|------------------------------|------|-----------|---------|-------|
|      |   |           |                  |                              |      | From      | To      |       |
| 0001 |   | VTVT13940 |                  | SCREW M 6X 20 TSPEI UNI 5933 | 4,00 |           |         | --    |
| 0002 |   | VTVT00842 |                  | SCREW                        | 4,00 |           |         | --    |
| 0003 |   | VTRS15978 |                  | WASHER D.12X24 UNI 6592 INX  | 4,00 |           |         | --    |
| 0004 |   | LAFN09092 |                  | BRACKET MOTORE               | 2,00 |           |         | --    |
| 0005 |   | VTRS13947 |                  | WASHER D. 8 INX UNI 6592     | 8,00 |           |         | --    |
| 0006 |   | VTDD01695 |                  | NUT M 8 INX                  | 8,00 |           |         | --    |
| 0007 |   | VTRS13945 |                  | WASHER D. 6X18 INX UNI 6593  | 5,00 |           |         | --    |
| 0008 |   | VTDD01694 |                  | NUT M6 INOX                  | 6,00 |           |         | --    |
| 0009 |   | RTRT00521 |                  | WHEEL -                      | 2,00 |           | 01/2010 | --    |
| 0009 |   | RTRT00524 |                  | WHEEL -                      | 2,00 | 01/2010   | 05/2010 | --    |
| 0009 |   | RTRT00529 |                  | WHEEL D200                   | 2,00 | 05/2010   | 06/2012 | --    |
| 0009 |   | RTRT00546 |                  | WHEEL D.200                  | 2,00 | 06/2012   |         | --    |
| 0010 |   | VTRS13946 |                  | WASHER D. 8 X24 INX UNI 6593 | 2,00 |           |         | --    |
| 0011 |   | VTVT15916 |                  | SCREW TE M 8X 16 UNI 5739 A2 | 2,00 |           |         | --    |
| 0012 |   | VTAE06193 |                  | CIRCLIP D. 20 UNI 7435       | 2,00 |           |         | --    |
| 0013 |   | VTVR00566 |                  | KEY 6X10X40                  | 2,00 | 06/2012   |         | --    |
| 0013 |   | VTVR33668 |                  | KEY 6x 6x40 UNI 6604A        | 2,00 |           | 06/2012 | --    |
| 0014 |   | CUVR00169 |                  | BEARING FLANGIA P47          | 2,00 |           |         | --    |
| 0015 |   | CUVR00105 |                  | SUPPORT                      | 2,00 |           |         | --    |
| 0016 |   | MEVR01070 |                  | CARBON                       | 2,00 |           |         | --    |
| 0016 |   | MOC00348  |                  | MOTOR AOMPDI 24V 145W        | 1,00 |           |         | --    |
| 0017 |   | LAFN09093 |                  | SMALL SQUARE -               | 1,00 |           |         | --    |
| 0018 |   | VTRS00245 |                  | WASHER D.6 UNI 6592 INOX     | 1,00 |           |         | --    |
| 0019 |   | VTVT13939 |                  | SCREW TE 6X20 UNI5739 INX    | 2,00 |           |         | --    |
| 0021 |   | VTVT15907 |                  | SCREW TE 8X25 UNI5739 INX    | 4,00 |           |         | --    |
| 0023 |   | VTRS15146 |                  | WASHER D. 8 INX GRW UNI 1751 | 2,00 |           |         | --    |



| Ref. | K | Part N.   | Customer Part N. | Description                      | Qty  | Validity: |         | Price |
|------|---|-----------|------------------|----------------------------------|------|-----------|---------|-------|
|      |   |           |                  |                                  |      | From      | To      |       |
| 0001 |   | VTVT00659 |                  | SCREW TC+ M. 4-15                | 2,00 |           | 02/2010 | --    |
| 0001 |   | VTVT01366 |                  | SCREW M4X16                      | 2,00 | 02/2010   |         | --    |
| 0002 |   | VTRS13946 |                  | WASHER D. 8 X24 INX UNI 6593     | 2,00 |           |         | --    |
| 0003 |   | RTRT43370 |                  | CASTER D.100 2V.                 | 1,00 |           |         | --    |
| 0004 |   | LAFN03915 |                  | BUSHING NUOVO RUOTINO STRONG     | 1,00 |           |         | --    |
| 0005 |   | VTVT00822 |                  | SCREW TCEI M 8-30                | 1,00 | 06/2009   |         | --    |
| 0005 |   | VTVT17349 |                  | SCREW TCEI M 8X30                | 1,00 |           | 06/2009 | --    |
| 0006 |   | MEVR01281 |                  | SPACER                           | 2,00 |           |         | --    |
| 0007 |   | VTVT01366 |                  | SCREW M4X16                      | 2,00 |           |         | --    |
| 0008 |   | VTDD01695 |                  | NUT M 8 INX                      | 1,00 |           |         | --    |
| 0009 |   | VTDD15518 |                  | NUT M 6 INX                      | 2,00 |           |         | --    |
| 0010 |   | LAFN05899 |                  | SUPPORT BRACKET CARTER 1 EXTREME | 1,00 |           |         | --    |
| 0011 |   | LAFN07373 |                  | PLATE RIDUTTORE                  | 1,00 | 02/2010   |         | --    |
| 0011 |   | LAFN07747 |                  | PLATE -                          | 1,00 |           | 02/2010 | --    |
| 0012 |   | VTVT15143 |                  | SCREW TE 6X16 UNI5739            | 2,00 |           |         | --    |
| 0016 |   | LAFN04039 |                  | THICKNESS                        | 1,00 |           |         | --    |

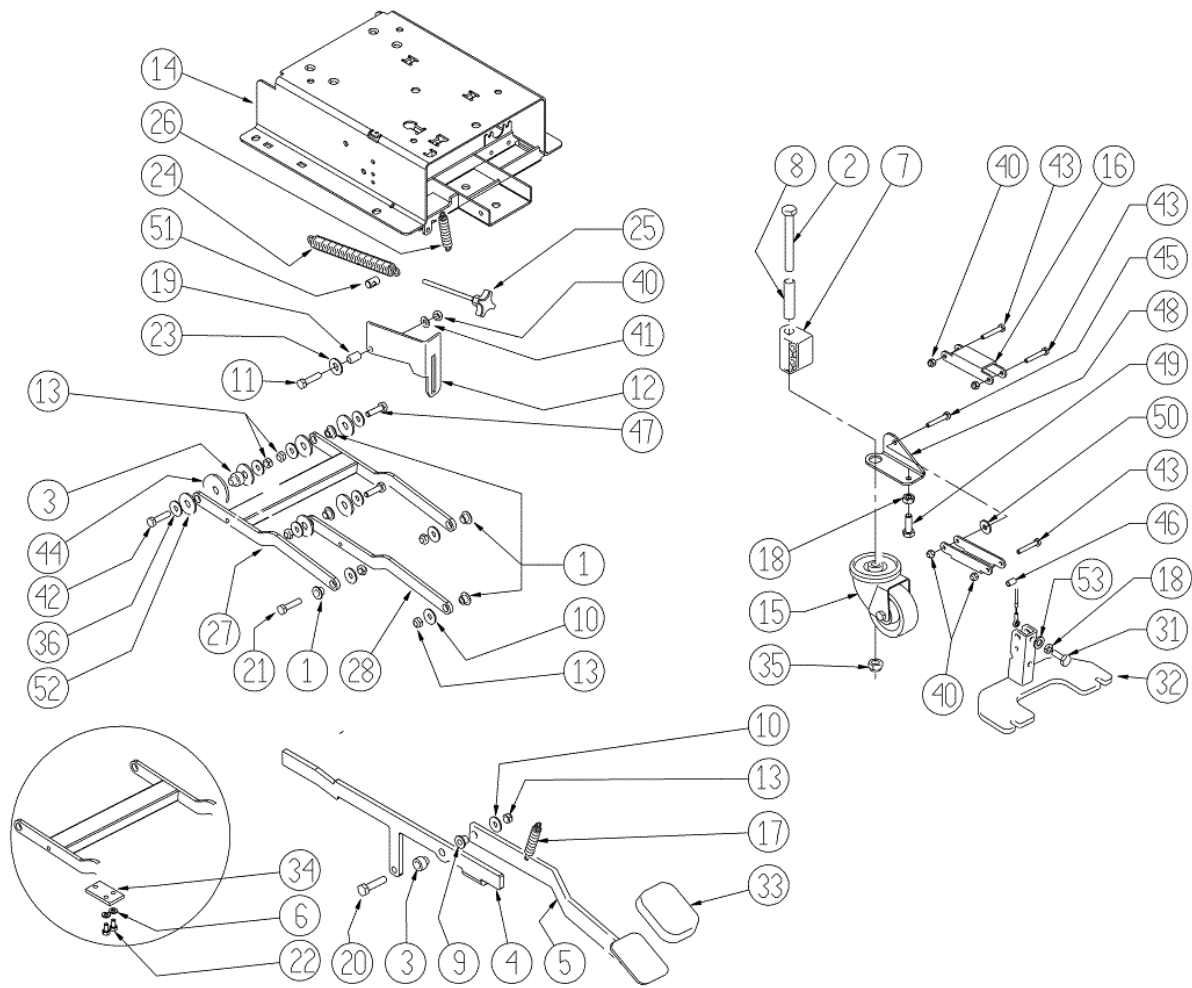


| Ref. | K | Part N.   | Customer Part N. | Description                   | Qty  | Validity: |         | Price |
|------|---|-----------|------------------|-------------------------------|------|-----------|---------|-------|
|      |   |           |                  |                               |      | From      | To      |       |
| 0003 |   | MLML00234 |                  | SPRING TESTATA LINEA 3        | 1,00 |           |         | --    |
| 0005 |   | MPVR05631 |                  | SPACER PVC                    | 1,00 |           |         | --    |
| 0006 |   | VTVT21887 |                  | SCREW TCB-TC 4X10 8112        | 1,00 |           |         | --    |
| 0007 |   | VTRS00251 |                  | WASHER 4-16 INOX A2           | 1,00 |           |         | --    |
| 0008 |   | LAFN07459 |                  | SUPPORT -                     | 1,00 |           |         | --    |
| 0009 |   | LAFN07457 |                  | SUPPORT -                     | 1,00 |           |         | --    |
| 0010 |   | VTAE13511 |                  | CIRCLIP D. 10 UNI 7435        | 1,00 |           |         | --    |
| 0011 |   | GUGO00315 |                  | MOUSSE CT25                   | 2,00 |           |         | --    |
| 0012 |   | VTRS15523 |                  | WASHER D.10 X21 INOX UNI 6592 | 1,00 |           |         | --    |
| 0013 |   | LAFN07458 |                  | SUPPORT -                     | 1,00 |           |         | --    |
| 0014 |   | MPVR31050 |                  | KNOB E 350N                   | 1,00 |           | 07/2009 | --    |
| 0014 |   | MPVR75768 |                  | KNOB                          | 1,00 | 07/2009   |         | --    |

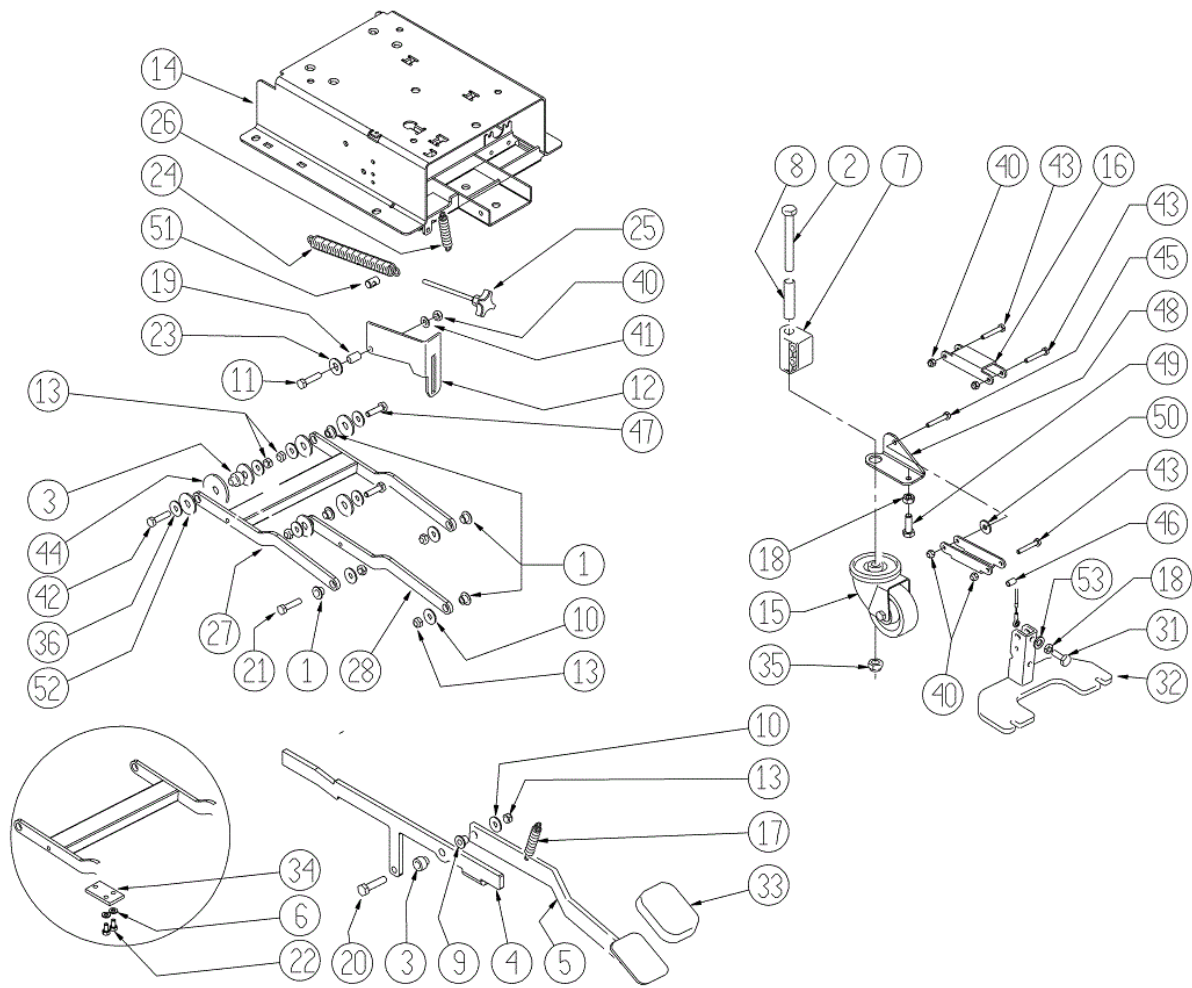


| Ref. | K | Part N.   | Customer Part N. | Description              | Qty  | Validity: |    | Price |
|------|---|-----------|------------------|--------------------------|------|-----------|----|-------|
|      |   |           |                  |                          |      | From      | To |       |
| 0001 |   | PPBP00059 |                  | PUMP -                   | 1,00 |           |    | --    |
| 0002 |   | VTVT01300 |                  | SCREW TE M5X12 INOX      | 1,00 |           |    | --    |
| 0003 |   | MPVR05326 |                  | TANK CHEM DOSE           | 1,00 |           |    | --    |
| 0004 |   | MPVR05188 |                  | CAP -                    | 1,00 |           |    | --    |
| 0005 |   | VTRS00516 |                  | WASHER D. 5 INX          | 1,00 |           |    | --    |
| 0006 |   | VTDD01693 |                  | NUT M 5 INX              | 1,00 |           |    | --    |
| 0007 |   | MECI00556 |                  | SWITCH -                 | 1,00 |           |    | --    |
| 0008 |   | MEVR01582 |                  | COWLING -                | 1,00 |           |    | --    |
| 0009 |   | ETET01495 |                  | LABEL -                  | 1,00 |           |    | --    |
| 0010 |   | FSVR00106 |                  | CLAMP A COLLARE          | 1,00 |           |    | --    |
| 0011 |   | FSVR00257 |                  | CLAMP -                  | 1,00 |           |    | --    |
| 0012 |   | RCVR00760 |                  | HOSE FITTING 1"X30X32    | 1,00 |           |    | --    |
| 0015 |   | FSVR00255 |                  | CLAMP -                  | 1,00 |           |    | --    |
| 0016 |   | RCVR00745 |                  | CONNECTOR TRS 12-6-12    | 1,00 |           |    | --    |
| 0017 |   | FSVR00255 |                  | CLAMP -                  | 1,00 |           |    | --    |
| 0018 |   | MEVR01957 |                  | FLOWMETERS -             | 1,00 |           |    | --    |
| 0020 |   | LAFN06697 |                  | BRACKET -                | 1,00 |           |    | --    |
| 0021 |   | VTVT00748 |                  | SCREW TC+4.2-9.5         | 3,00 |           |    | --    |
| 0022 |   | FSVR00255 |                  | CLAMP -                  | 1,00 |           |    | --    |
| 0024 |   | FSVR00106 |                  | CLAMP A COLLARE          | 1,00 |           |    | --    |
| 0026 |   | FSVR00106 |                  | CLAMP A COLLARE          | 1,00 |           |    | --    |
| 0027 |   | RCGR00079 |                  | VALVE -                  | 1,00 |           |    | --    |
| 0028 |   | FSVR00106 |                  | CLAMP A COLLARE          | 1,00 |           |    | --    |
| 0030 |   | FSVR00257 |                  | CLAMP -                  | 1,00 |           |    | --    |
| 0031 |   | RCVR00760 |                  | HOSE FITTING 1"X30X32    | 1,00 |           |    | --    |
| 0033 |   | VTVT63007 |                  | SCREW TCCR 4,8X25        | 2,00 |           |    | --    |
| 0034 |   | VTVT00527 |                  | SCREW TE FR 6X10 ZB ZIG. | 2,00 |           |    | --    |
| 0035 |   | VTVR00548 |                  | BUSHING M5 INOX          | 2,00 |           |    | --    |
| 0036 |   | LAFN08837 |                  | BRACKET -                | 1,00 |           |    | --    |
| 0037 |   | VTDD07727 |                  | NUT M 5 INOX             | 2,00 |           |    | --    |
| 0038 |   | VTRS13750 |                  | WASHER D. 5X14 INX       | 2,00 |           |    | --    |
| 0039 |   | VTVT01203 |                  | SCREW 5x20               | 2,00 |           |    | --    |
| 0040 |   | FSVR00106 |                  | CLAMP A COLLARE          | 1,00 |           |    | --    |
| 0042 |   | RCIN35828 |                  | JOINT BODY PL. C/V-5.2   | 1,00 |           |    | --    |
| 0043 |   | RCIN38912 |                  | JOINT PB PG.5.2 OT       | 1,00 |           |    | --    |
| 0044 |   | FSVR00106 |                  | CLAMP A COLLARE          | 1,00 |           |    | --    |

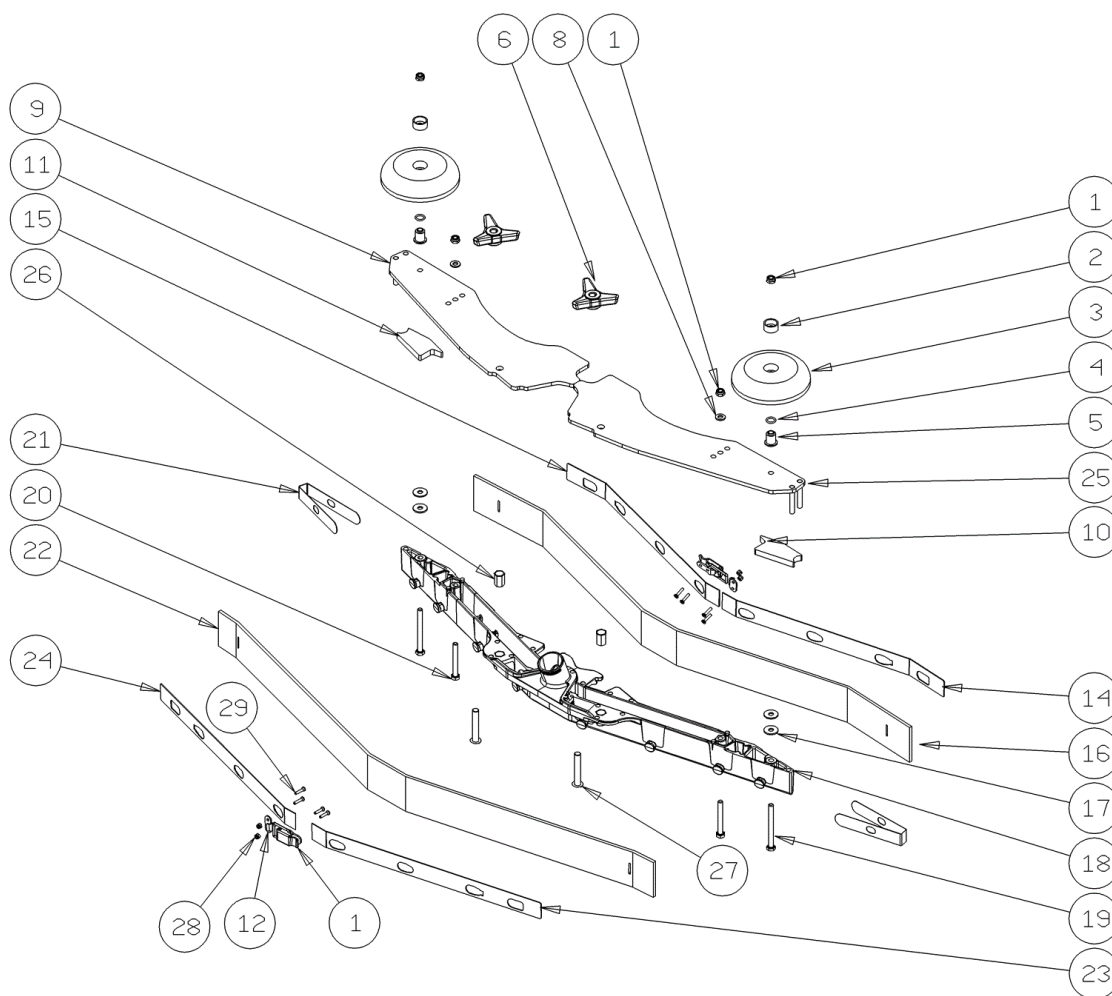




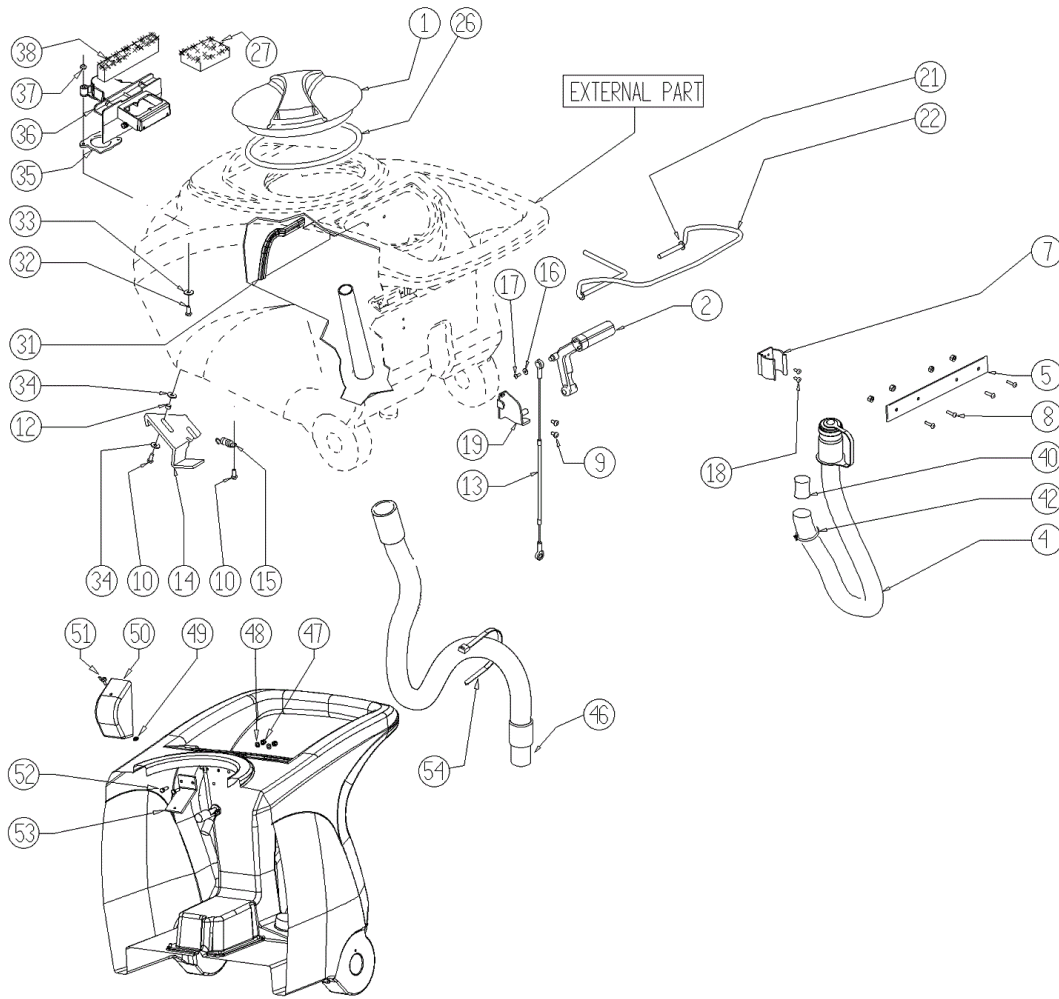
| Ref. | K | Part N.   | Customer Part N. | Description                     | Qty  | Validity: |         | Price |
|------|---|-----------|------------------|---------------------------------|------|-----------|---------|-------|
|      |   |           |                  |                                 |      | From      | To      |       |
| 0001 |   | LAFN06391 |                  | BUSHING PARALLELOGRAMMA         | 5,00 |           |         | --    |
| 0002 |   | VTVT24212 |                  | SCREW TE M 12X100 UNI 5737 INOX | 1,00 |           |         | --    |
| 0003 |   | LAFN04190 |                  | BUSHING PARALLELOGR.TEST.GR.    | 2,00 |           |         | --    |
| 0004 |   | LAFN07629 |                  | PEDALE -                        | 1,00 |           |         | --    |
| 0005 |   | LAFN07602 |                  | LEVER -                         | 1,00 |           | 06/2013 | --    |
| 0005 |   | LAFN09270 |                  | PEDALE -                        | 1,00 | 07/2013   |         | --    |
| 0006 |   | VTRS15144 |                  | WASHER D. 6 INX GRW UNI 1751    | 2,00 |           |         | --    |
| 0007 |   | MPVR04734 |                  | BLOCK TERGI                     | 1,00 |           |         | --    |
| 0008 |   | LAFN09006 |                  | PIN -                           | 1,00 |           |         | --    |
| 0009 |   | LAFN51068 | #8479.90.9498    | BUSHING LEVA POSTER.            | 1,00 |           |         | --    |
| 0010 |   | VTRS13946 |                  | WASHER D. 8 X24 INX UNI 6593    | 4,00 |           |         | --    |
| 0011 |   | VTVT00161 |                  | SCREW TE M6X20                  | 1,00 |           |         | --    |
| 0012 |   | LAFN10124 |                  | PLATE                           | 1,00 |           |         | --    |
| 0013 |   | VTDD01695 |                  | NUT M 8 INX                     | 7,00 |           |         | --    |
| 0014 |   | LAFN07293 |                  | BASE SERBATOIO                  | 1,00 |           |         | --    |
| 0015 |   | RTRT00518 |                  | WHEEL CASTOR D.80X30            | 1,00 |           |         | --    |
| 0016 |   | LAFN05853 |                  | LEVER ARM SOLLEVAMENTO TERGI    | 2,00 |           |         | --    |
| 0017 |   | MLML34726 |                  | SPRING TR E350 N                | 1,00 |           |         | --    |
| 0018 |   | VTDD15521 |                  | NUT M 8 INX A2 UNI 5588         | 1,00 |           |         | --    |
| 0019 |   | LAFN03840 |                  | BUSHING                         | 1,00 |           |         | --    |
| 0020 |   | VTVT15917 |                  | SCREW TE M 8X50 INOX A2 UNI     | 1,00 |           |         | --    |
| 0021 |   | VTVT15907 |                  | SCREW TE 8X25 UNI5739 INX       | 3,00 |           |         | --    |
| 0022 |   | VTVT15906 |                  | SCREW TE 6X 12 A2 UNI 5739      | 1,00 |           |         | --    |
| 0023 |   | VTRS00274 |                  | WASHER NYLON 66 D.8,4-17-2 UNI  | 1,00 |           |         | --    |
| 0024 |   | MLML31130 |                  | SPRING D. 17.5 X110 N38         | 1,00 |           |         | --    |
| 0025 |   | VTVR35749 |                  | HANDWHEEL M 6MAX110 D.35        | 1,00 |           |         | --    |
| 0026 |   | MLML00303 |                  | SPRING REGISTRAZIONE FLAP       | 1,00 |           |         | --    |
| 0027 |   | LAFN07727 |                  | ARM -                           | 1,00 |           |         | --    |
| 0028 |   | LAFN06389 |                  | ARM PARALLELOGRAMMA             | 1,00 |           |         | --    |
| 0031 |   | VTVT00410 |                  | SCREW TE M8x35 UNI5739 INOX     | 1,00 |           |         | --    |
| 0032 |   | LAFN07560 |                  | PLATE -                         | 1,00 |           |         | --    |
| 0033 |   | MPVR05186 |                  | COVER -                         | 1,00 |           |         | --    |
| 0034 |   | LAFN07650 |                  | BRACKET -                       | 1,00 |           |         | --    |
| 0035 |   | VTDD00176 |                  | NUT M.12 INOX A2 BASSO AUTOB.   | 1,00 |           |         | --    |
| 0036 |   | VTRS13946 |                  | WASHER D. 8 X24 INX UNI 6593    | 6,00 |           |         | --    |
| 0040 |   | VTDD01694 |                  | NUT M6 INOX                     | 5,00 |           |         | --    |
| 0041 |   | VTRS00245 |                  | WASHER D.6 UNI 6592 INOX        | 1,00 |           |         | --    |
| 0042 |   | VTVT00429 |                  | SCREW TE M 8X 40 INX UNI 5737   | 1,00 |           |         | --    |
| 0043 |   | VTVT01683 |                  | SCREW TE 6X40                   | 4,00 |           |         | --    |



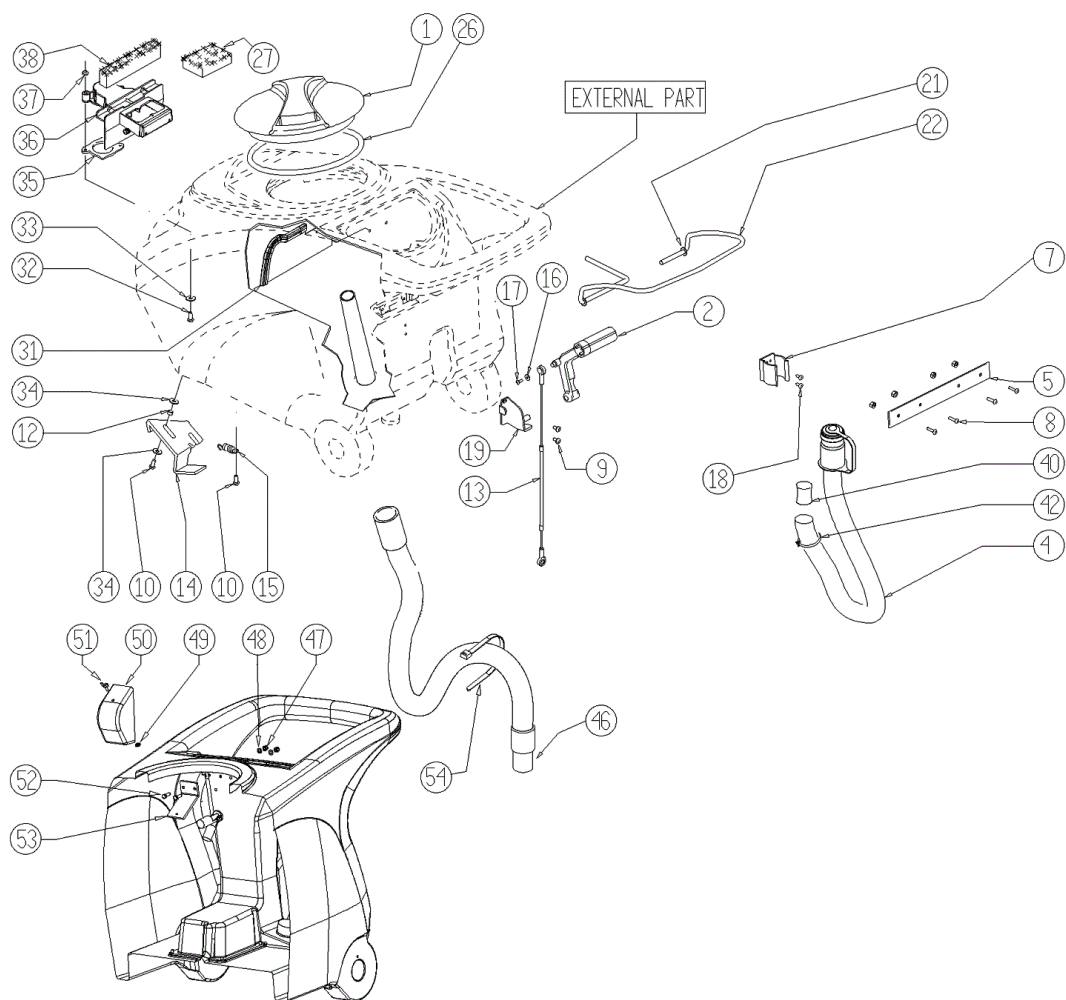
| Ref. | K | Part N.   | Customer Part N. | Description                  | Qty  | Validity: |    | Price |
|------|---|-----------|------------------|------------------------------|------|-----------|----|-------|
|      |   |           |                  |                              |      | From      | To |       |
| 0044 |   | MPVR05134 |                  | GASKET D.60 FORO D.12 SP.2   | 1,00 |           |    | --    |
| 0045 |   | VTVT01684 |                  | SCREW TE 6X45                | 1,00 |           |    | --    |
| 0046 |   | LAFN06898 |                  | SPACER 6-8 h15               | 1,00 |           |    | --    |
| 0047 |   | VTVT00410 |                  | SCREW TE M8x35 UNI5739 INOX  | 2,00 |           |    | --    |
| 0048 |   | LAFN08999 |                  | BRACKET -                    | 1,00 |           |    | --    |
| 0049 |   | VTVT13938 |                  | SCREW TE 8X20 UNI5739 INX    | 1,00 |           |    | --    |
| 0050 |   | VTRS13945 |                  | WASHER D. 6X18 INX UNI 6593  | 1,00 |           |    | --    |
| 0051 |   | LAFN35747 |                  | SPRING SUPPORT LAV. E/B 450  | 1,00 |           |    | --    |
| 0052 |   | MPVR35582 |                  | RUBBER LAV.                  | 1,00 |           |    | --    |
| 0053 |   | VTRS15146 |                  | WASHER D. 8 INX GRW UNI 1751 | 1,00 | 03/2013   |    | --    |



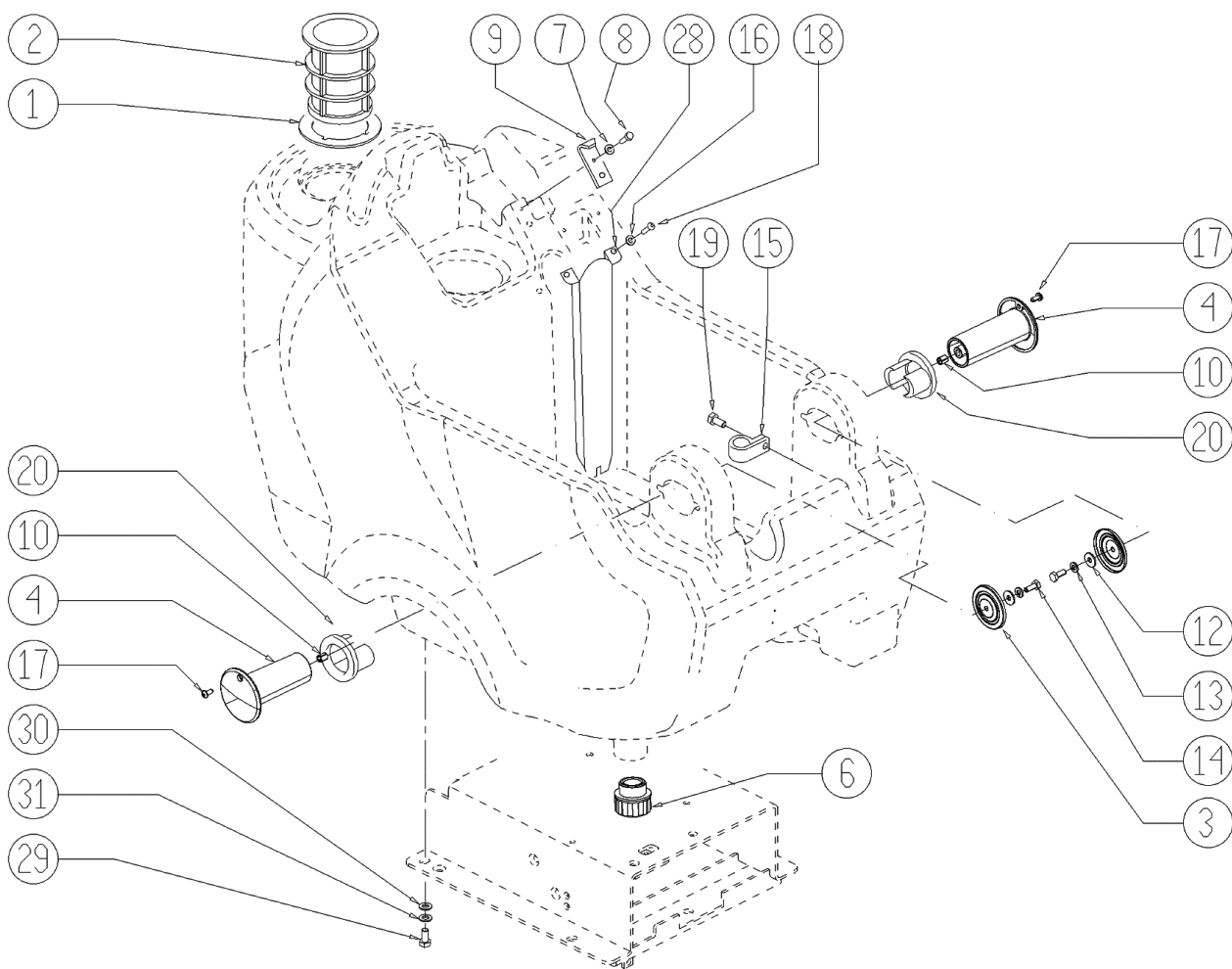
| Ref. K | Part N.   | Customer Part N. | Description                   | Qty  | Validity: |         | Price |
|--------|-----------|------------------|-------------------------------|------|-----------|---------|-------|
|        |           |                  |                               |      | From      | To      |       |
| 0001   | LAFN09302 |                  | CLOSURE -                     | 2,00 | 09/2013   |         | --    |
| 0002   | MPVR49229 |                  | BUSHING SHK                   | 2,00 |           |         | --    |
| 0003   | MPVR05290 |                  | ROLLER PARACOLPI              | 2,00 |           |         | --    |
| 0004   | GUGO00164 |                  | GASKET                        | 2,00 |           |         | --    |
| 0005   | LAFN04100 |                  | SPACER PER RUOTINO PARACOLPI  | 2,00 |           |         | --    |
| 0006   | MPVR04164 |                  | HANDWHEEL M8 FILETTO PASSANTE | 2,00 | 02/2013   |         | --    |
| 0006   | MPVR06003 |                  | KNOB AISI 304                 | 2,00 |           | 10/2012 | --    |
| 0006   | MPVR06004 |                  | KNOB AISI 304                 | 2,00 | 10/2012   | 02/2013 | --    |
| 0008   | VTRS00245 |                  | WASHER D.6 UNI 6592 INOX      | 2,00 |           |         | --    |
| 0009   | LAFN07936 |                  | PLATE XS                      | 1,00 |           |         | --    |
| 0010   | GUVR00299 |                  | GASKET -                      | 1,00 |           |         | --    |
| 0011   | GUVR00298 |                  | GASKET -                      | 1,00 |           |         | --    |
| 0012   | LAFN09301 |                  | SOCKET -                      | 2,00 | 09/2013   |         | --    |
| 0014   | LAFN08940 |                  | BRACKET -                     | 1,00 |           | 09/2013 | --    |
| 0014   | LAFN09275 |                  | SHEET METAL PA.-              | 1,00 | 09/2013   |         | --    |
| 0015   | LAFN08945 |                  | BRACKET -                     | 1,00 |           | 09/2013 | --    |
| 0015   | LAFN09276 |                  | SHEET METAL PA.-              | 1,00 | 09/2013   |         | --    |
| 0016   | MPVR05796 |                  | RUBBER -                      | 1,00 |           |         | --    |
| 0017   | VTRS13945 |                  | WASHER D. 6X18 INX UNI 6593   | 4,00 |           |         | --    |
| 0018   | KTRI02051 |                  | BODY SQUEEGEE PRESSOFUSO "XS" | 1,00 |           |         | --    |
| 0019   | VTVT00841 |                  | SCREW TE M 6X65 UNI 5739 INX  | 2,00 |           |         | --    |
| 0020   | VTVT15515 |                  | SCREW TE M 6X 50 INOX A2      | 2,00 |           |         | --    |
| 0021   | MPVR05897 |                  | CLOSURE S                     | 2,00 |           |         | --    |
| 0022   | MPVR05798 |                  | BLADE REAR SQUEEGEE XS PU 4mm | 1,00 |           |         | --    |
| 0023   | LAFN08946 |                  | BRACKET -                     | 1,00 |           | 09/2013 | --    |
| 0023   | LAFN09277 |                  | SHEET METAL PA.-              | 1,00 | 09/2013   |         | --    |
| 0024   | LAFN08947 |                  | BRACKET -                     | 1,00 |           | 09/2013 | --    |
| 0024   | LAFN09278 |                  | SHEET METAL PA.-              | 1,00 | 09/2013   |         | --    |
| 0025   | LAFN07937 |                  | PLATE XS                      | 1,00 |           |         | --    |
| 0026   | VTVR00565 |                  | INSERT -                      | 2,00 |           | 02/2013 | --    |
| 0026   | VTVR00567 |                  | INSERT -                      | 2,00 | 02/2013   |         | --    |
| 0027   | VTVT01696 |                  | SCREW TBEI M8X45              | 2,00 | 02/2013   |         | --    |
| 0028   | VTDD00210 |                  | NUT M 3 INOX                  | 8,00 | 09/2013   |         | --    |
| 0029   | VTVT01070 |                  | SCREW TSTC M3X8               | 8,00 | 09/2013   |         | --    |



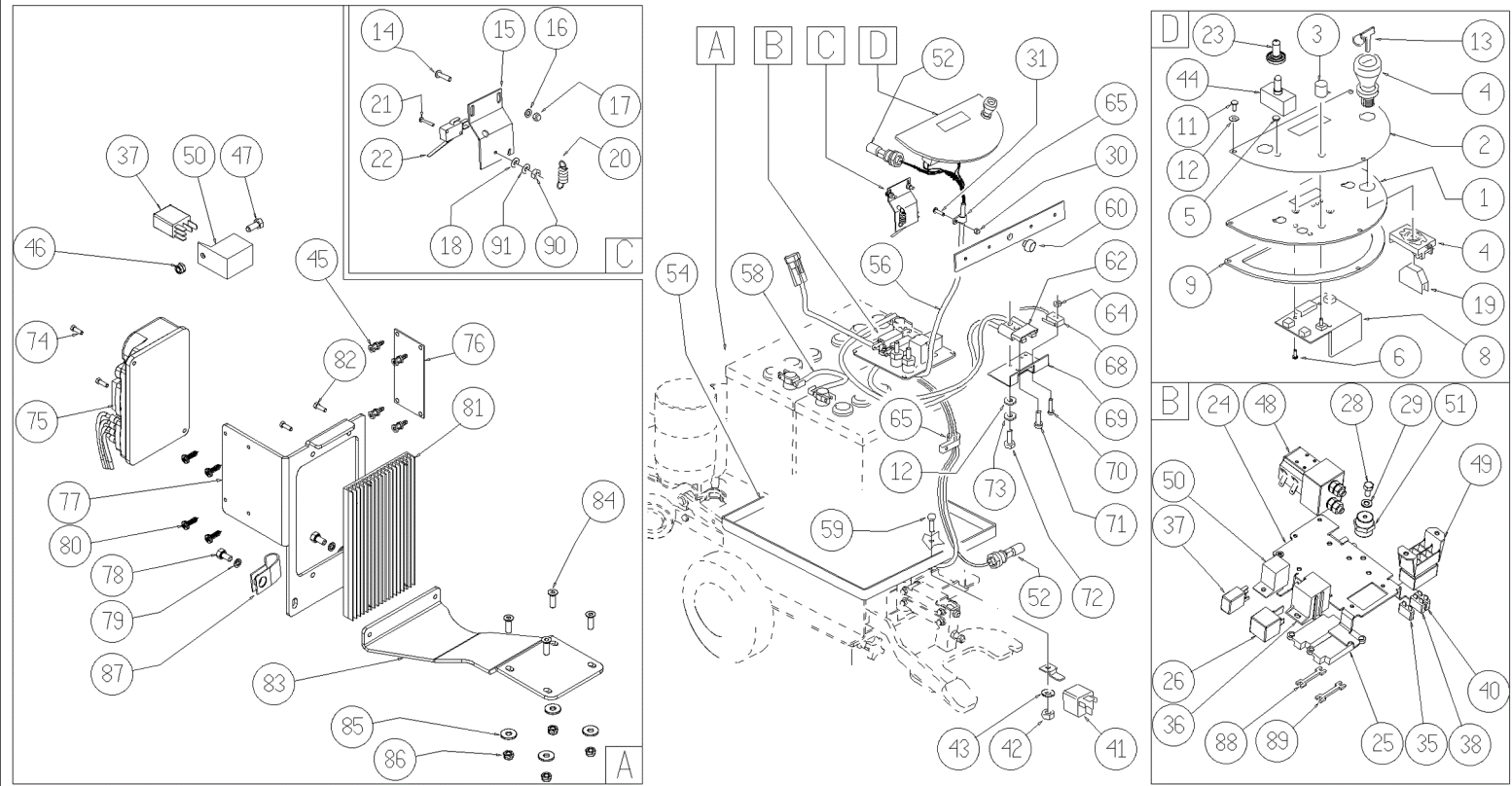
| Ref. | K | Part N.   | Customer Part N. | Description                     | Qty  | Validity: |         | Price |
|------|---|-----------|------------------|---------------------------------|------|-----------|---------|-------|
|      |   |           |                  |                                 |      | From      | To      |       |
| 0001 |   | MPVR04051 |                  | TANK CAP                        | 1,00 |           |         | --    |
| 0002 |   | MPVR49942 |                  | LEVER SHK PP                    | 1,00 |           |         | --    |
| 0003 |   | VTDD01694 |                  | NUT M6 INOX                     | 4,00 |           |         | --    |
| 0004 |   | TBFX00348 |                  | TUBE CT40-70-90 HOSE DRAIN      | 1,00 |           | 04/2013 | --    |
| 0004 |   | TBFX00358 |                  | TUBE PU CT40/70/90              | 1,00 | 04/2013   |         | --    |
| 0005 |   | LAFN05865 |                  | PLATE COPRILEVA CONSENSO        | 1,00 |           |         | --    |
| 0007 |   | MPVR46988 |                  | CLIP LAV. SHK                   | 1,00 |           |         | --    |
| 0008 |   | VTVT07725 |                  | SCREW TE 5X16 UNI5739 INX       | 4,00 |           |         | --    |
| 0009 |   | VTVT15906 |                  | SCREW TE 6X 12 A2 UNI 5739      | 2,00 |           |         | --    |
| 0010 |   | VTVT15143 |                  | SCREW TE 6X16 UNI5739           | 3,00 |           |         | --    |
| 0012 |   | LAFN03626 |                  | SPACER                          | 1,00 |           |         | --    |
| 0013 |   | CMCV00361 |                  | CABLE CABLE LIFTING SQUEEGEE HD | 1,00 |           |         | --    |
| 0014 |   | LAFN06490 |                  | HANDLE                          | 1,00 |           |         | --    |
| 0015 |   | MLML00203 |                  | SPRING                          | 1,00 |           |         | --    |
| 0016 |   | VTRS00251 |                  | WASHER 4-16 INOX A2             | 1,00 |           |         | --    |
| 0017 |   | VTVT00800 |                  | SCREW TC 4X12 ZN                | 1,00 |           |         | --    |
| 0018 |   | VTVT21096 |                  | SCREW TE M 4X 10 INX            | 2,00 |           |         | --    |
| 0019 |   | LAFN05870 |                  | BRACKET LEVA SOLLEVAM. SQUEEGEE | 1,00 |           |         | --    |
| 0021 |   | VTRS13947 |                  | WASHER D. 8 INX UNI 6592        | 2,00 |           |         | --    |
| 0022 |   | LAFN05861 |                  | LEVER CONSENSO SPAZZOLE         | 1,00 |           |         | --    |
| 0026 |   | GUGO00263 |                  | GASKET CIRCOLARE TAPPO          | 1,00 |           |         | --    |
| 0027 |   | FTDP00133 |                  | FILTER                          | 1,00 |           |         | --    |
| 0031 |   | MPVR07074 |                  | PLATE -                         | 1,00 |           |         | --    |
| 0032 |   | VTVT00814 |                  | SCREW TE M.4-25                 | 2,00 |           |         | --    |
| 0033 |   | VTRS00515 |                  | WASHER D. 4 INX                 | 2,00 |           |         | --    |
| 0034 |   | VTRS00274 |                  | WASHER NYLON 66 D.8,4-17-2 UNI  | 4,00 |           |         | --    |
| 0035 |   | GUGO00417 |                  | GASKET SCATOLA ASPIRAZIONE      | 1,00 |           |         | --    |
| 0036 |   | MPVR05482 |                  | BOX -                           | 1,00 |           |         | --    |
| 0037 |   | VTDD15925 |                  | NUT M 4 INX                     | 2,00 |           |         | --    |
| 0038 |   | GUGO00418 |                  | GASKET CONDOTTO ASPIRAZIONE     | 1,00 |           |         | --    |
| 0040 |   | GUGO00245 |                  | GASKET                          | 2,00 |           |         | --    |
| 0042 |   | FSVR43136 |                  | CLAMP D. 35-40 DF.              | 1,00 |           |         | --    |
| 0046 |   | TBFX00353 |                  | TUBE PU CT70-CT90               | 1,00 |           |         | --    |
| 0047 |   | VTDD01693 |                  | NUT M 5 INX                     | 2,00 |           |         | --    |
| 0048 |   | VTRS00516 |                  | WASHER D. 5 INX                 | 4,00 |           |         | --    |
| 0049 |   | VTVR01038 |                  | WASHER -                        | 1,00 |           |         | --    |
| 0050 |   | MPVR05596 |                  | PROTECTION -                    | 1,00 |           |         | --    |
| 0051 |   | VTVT01150 |                  | SCREW 4x10                      | 1,00 |           |         | --    |
| 0052 |   | VTVT07726 |                  | SCREW TE 5X20                   | 2,00 |           |         | --    |



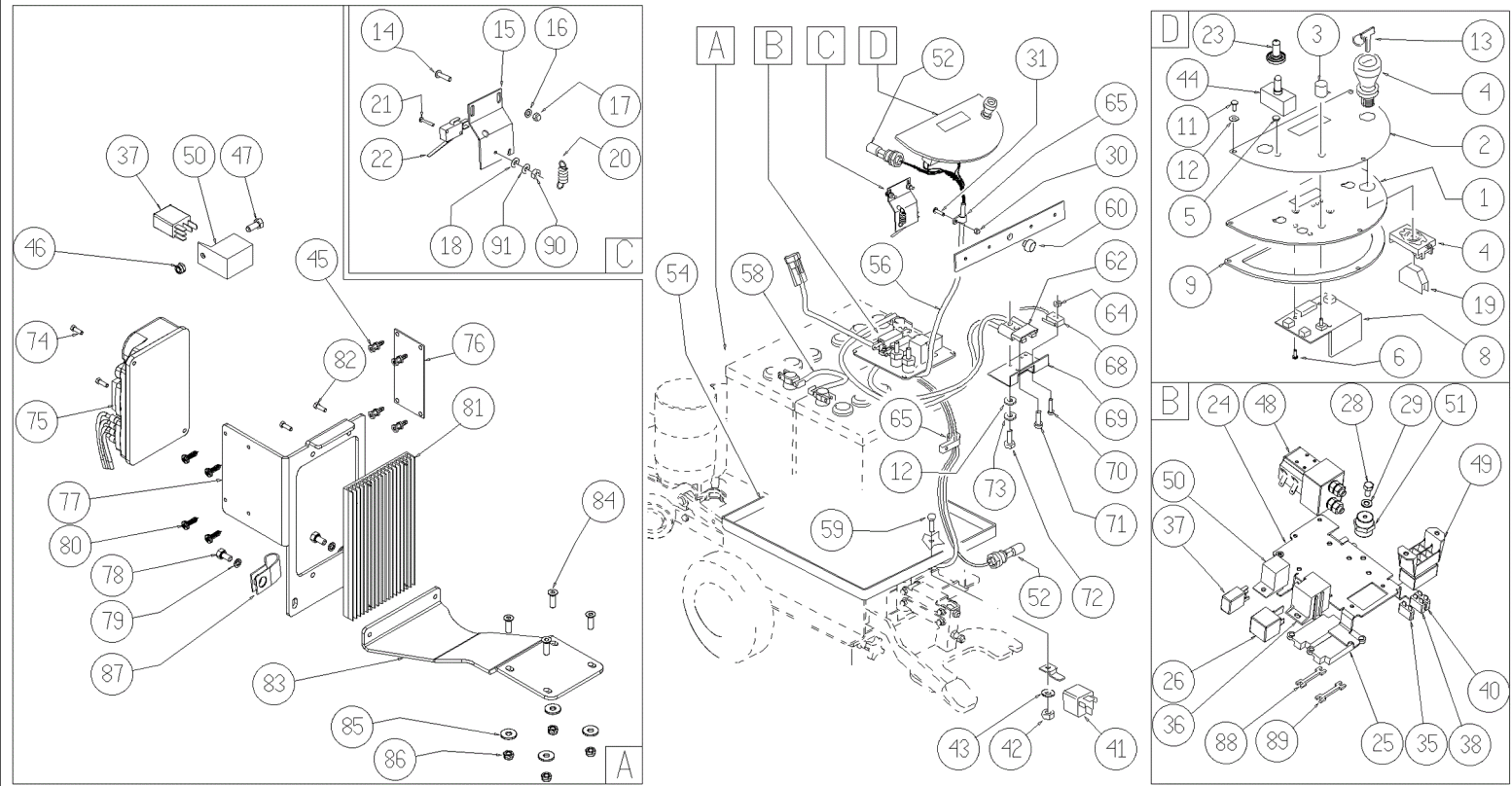
| Ref. K | Part N.   | Customer Part N. | Description | Qty  | Validity: |    | Price |
|--------|-----------|------------------|-------------|------|-----------|----|-------|
|        |           |                  |             |      | From      | To |       |
| 0053   | LAFN07631 |                  | BRACKET -   | 1,00 |           |    | --    |
| 0054   | FSVR00248 |                  | CLAMP -     | 1,00 |           |    | --    |



| Ref. | K | Part N.   | Customer Part N. | Description                    | Qty  | Validity: |    | Price |
|------|---|-----------|------------------|--------------------------------|------|-----------|----|-------|
|      |   |           |                  |                                |      | From      | To |       |
| 0001 |   | GUGO00267 |                  | GASKET FILTRO                  | 1,00 |           |    | --    |
| 0002 |   | FTAC48857 |                  | FILTER ASP. ACQUA SERB. LAVAP. | 1,00 |           |    | --    |
| 0003 |   | LAFN07800 |                  | SHEET METAL PA.-               | 2,00 |           |    | --    |
| 0004 |   | MPVR48695 |                  | PIN SHK.BK                     | 2,00 |           |    | --    |
| 0006 |   | MPVR08003 |                  | CAP                            | 1,00 |           |    | --    |
| 0007 |   | VTRS15144 |                  | WASHER D. 6 INX GRW UNI 1751   | 1,00 |           |    | --    |
| 0008 |   | VTVT01303 |                  | SCREW TE M6-10 INOX            | 1,00 |           |    | --    |
| 0009 |   | LAFN06489 |                  | PLATE                          | 1,00 |           |    | --    |
| 0010 |   | VTVR48693 |                  | INSERT M6 D.9                  | 1,00 |           |    | --    |
| 0012 |   | VTRS13945 |                  | WASHER D. 6X18 INX UNI 6593    | 2,00 |           |    | --    |
| 0013 |   | VTRS15144 |                  | WASHER D. 6 INX GRW UNI 1751   | 2,00 |           |    | --    |
| 0014 |   | VTVT15143 |                  | SCREW TE 6X16 UNI5739          | 2,00 |           |    | --    |
| 0015 |   | FSVR00099 |                  | CLAMP FERMATUBO                | 2,00 |           |    | --    |
| 0016 |   | VTRS00515 |                  | WASHER D. 4 INX                | 2,00 |           |    | --    |
| 0017 |   | VTVT48694 |                  | SCREW TCB TC 5 X12 UNI 9707 TZ | 2,00 |           |    | --    |
| 0018 |   | VTVT37012 |                  | SCREW M 4X 10 TCB-TC INX       | 2,00 |           |    | --    |
| 0019 |   | VTVT15961 |                  | SCREW M 5X 16 TCB TC UNI 7687  | 1,00 |           |    | --    |
| 0020 |   | PMVR02028 |                  | RUBBER GRUPPO MONTAGGIO        | 2,00 |           |    | --    |
| 0028 |   | MPVR51085 |                  | FLAP POSTER.TERGI 950 MAGG.    | 1,00 |           |    | --    |
| 0029 |   | VTVT15916 |                  | SCREW TE M 8X 16 UNI 5739 A2   | 4,00 |           |    | --    |
| 0030 |   | VTRS13947 |                  | WASHER D. 8 INX UNI 6592       | 4,00 |           |    | --    |
| 0031 |   | VTRS00269 |                  | WASHER D. 8 DIN 6798-A INX A2  | 4,00 |           |    | --    |

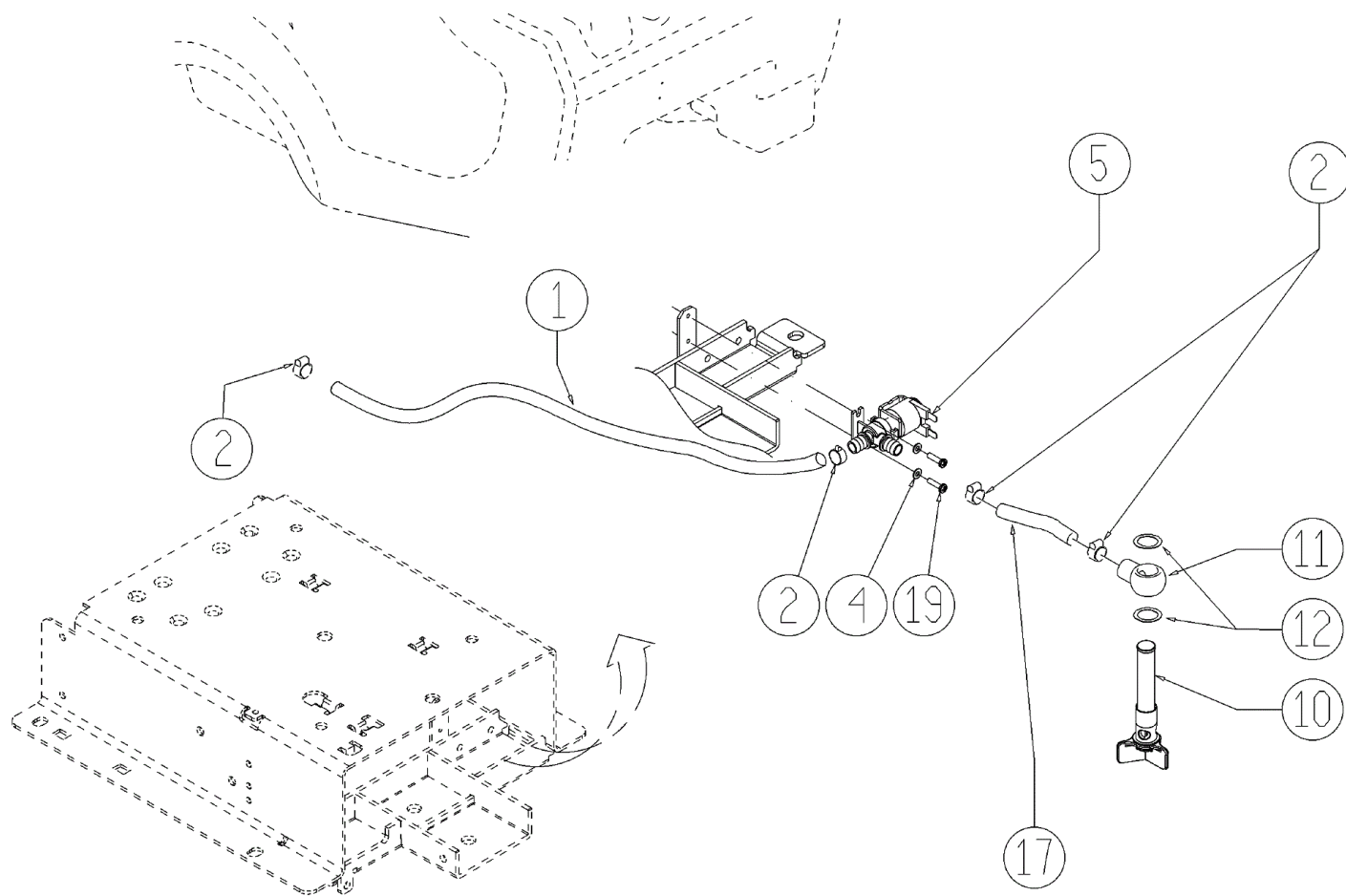


| Ref. | K         | Part N.       | Customer Part N. | Description                   | Qty  | Validity: |         | Price |
|------|-----------|---------------|------------------|-------------------------------|------|-----------|---------|-------|
|      |           |               |                  |                               |      | From      | To      |       |
| 0001 | LAFN08989 |               |                  | SUPPORT -                     | 1,00 |           |         | --    |
| 0002 | ETET01718 |               |                  | LABEL -                       | 1,00 |           |         | --    |
| 0003 | MEVR01666 |               |                  | KNOB POTENTIOMETER            | 1,00 |           |         | --    |
| 0004 | MECI00402 |               |                  | BUTTON A FUNGO                | 1,00 |           |         | --    |
| 0005 | RCVR00164 |               |                  | CARRYNG BAG                   | 1,00 |           |         | --    |
| 0006 | VTVT00722 |               |                  | SCREW                         | 3,00 |           |         | --    |
| 0008 | MECB01327 |               |                  | BOARD CT40 ECS H20            | 1,00 | 06/2013   |         | --    |
| 0008 | MECE00566 |               |                  | BOARD BT ECS H20              | 1,00 |           | 06/2013 | --    |
| 0009 | GUGO38417 |               |                  | GASKET PANN.COM.EXTREME       | 1,00 |           |         | --    |
| 0011 | VTVT37012 |               |                  | SCREW M 4X 10 TCB-TC INX      | 3,00 |           |         | --    |
| 0012 | VTRS00515 |               |                  | WASHER D. 4 INX               | 3,00 |           |         | --    |
| 0013 | CHVR00051 | #8479.90.9498 |                  | DIASASS.SPANNERPULSANTE FUNGO | 1,00 |           |         | --    |
| 0014 | VTVT07725 |               |                  | SCREW TE 5X16 UNI5739 INX     | 2,00 |           |         | --    |
| 0015 | LAFN05904 |               |                  | PLATE MICRO LEVA              | 1,00 |           |         | --    |
| 0016 | VTRS00516 |               |                  | WASHER D. 5 INX               | 2,00 |           |         | --    |
| 0017 | VTDD01693 |               |                  | NUT M 5 INX                   | 6,00 |           |         | --    |
| 0018 | VTRS21116 |               |                  | WASHER D. 3 INX               | 2,00 |           |         | --    |
| 0019 | MECI00403 |               |                  | CONTACT -                     | 1,00 |           |         | --    |
| 0020 | MLML34726 |               |                  | SPRING TR E350 N              | 1,00 |           |         | --    |
| 0021 | VTVT01316 |               |                  | SCREW TC+ M3-16               | 2,00 |           |         | --    |
| 0022 | MECI36393 |               |                  | MICROSWITCH TRZ. DRW          | 1,00 |           |         | --    |
| 0023 | MEVR01975 |               |                  | RUBBER DEVIATORE              | 1,00 |           |         | --    |
| 0025 | MEVR31036 |               |                  | FUSE-HOLDER                   | 1,00 |           |         | --    |
| 0026 | MECE00139 |               |                  | RELAY POTENZA 24V             | 1,00 |           |         | --    |
| 0030 | VTDD15925 |               |                  | NUT M 4 INX                   | 1,00 |           |         | --    |
| 0031 | VTVT00704 |               |                  | SCREW TE M 4X 16 UNI5739 INOX | 1,00 |           |         | --    |
| 0035 | MEVR01428 |               |                  | FUSE A LAMA 2 A. UNIVAL       | 1,00 |           |         | --    |
| 0036 | METT00053 |               |                  | BLOCK PORTA RELE'             | 1,00 |           |         | --    |
| 0037 | MECE00456 |               |                  | RELAY CT110                   | 1,00 |           |         | --    |
| 0038 | MEVR00039 |               |                  | FUSE LAMELLARE 20A            | 1,00 |           |         | --    |
| 0040 | MEVR01428 |               |                  | FUSE A LAMA 2 A. UNIVAL       | 1,00 |           |         | --    |
| 0041 | MECI00005 |               |                  | RELAY 24V 10/20A              | 1,00 |           |         | --    |
| 0042 | VTDD01694 |               |                  | NUT M6 INOX                   | 1,00 |           |         | --    |
| 0043 | VTRS00245 |               |                  | WASHER D.6 UNI 6592 INOX      | 1,00 |           |         | --    |
| 0044 | MECI34120 |               |                  | SWITCH T 115-EA               | 1,00 |           |         | --    |
| 0045 | MEVR01982 |               |                  | SUPPORT -                     | 4,00 |           |         | --    |
| 0046 | VTDD01693 |               |                  | NUT M 5 INX                   | 1,00 |           |         | --    |
| 0047 | VTVT01300 |               |                  | SCREW TE M5X12 INOX           | 1,00 |           |         | --    |
| 0048 | METT00079 |               |                  | CONTACTOR E TL 10P 24V 100A   | 1,00 |           |         | --    |

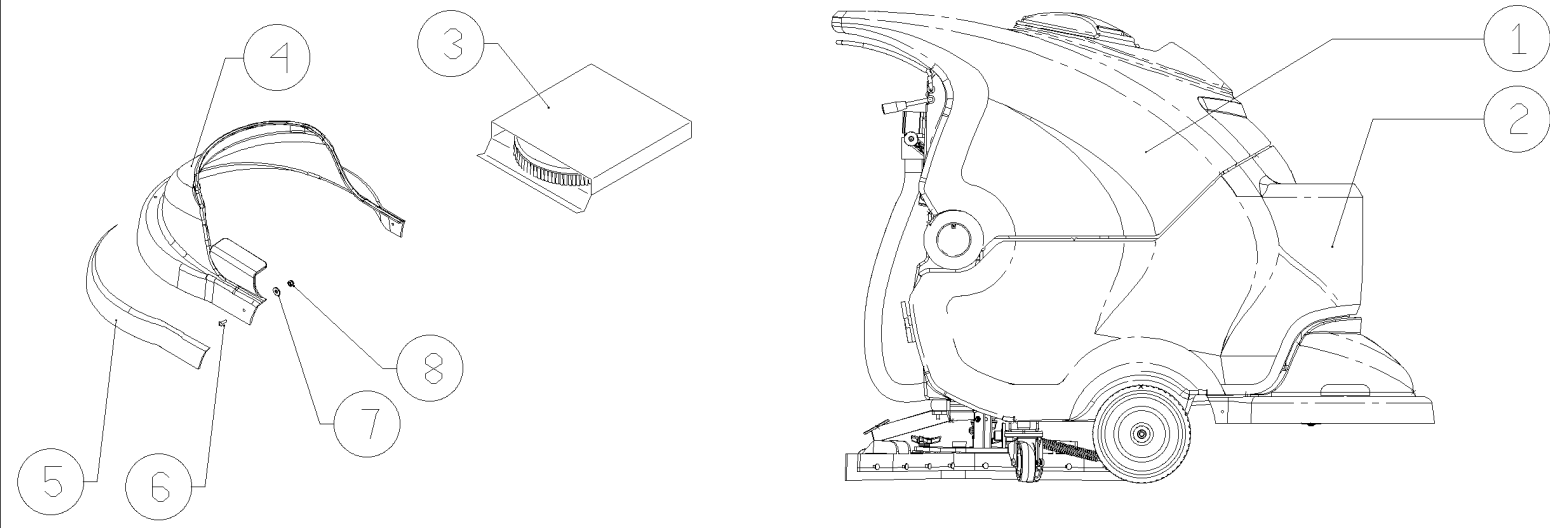


| Ref. | K | Part N.   | Customer Part N. | Description                     | Qty  | Validity: |         | Price |
|------|---|-----------|------------------|---------------------------------|------|-----------|---------|-------|
|      |   |           |                  |                                 |      | From      | To      |       |
| 0052 |   | MECI00516 |                  | SENSOR DI LIVELLO ORIZZONTALE   | 2,00 |           |         | --    |
| 0054 |   | LAFN35588 |                  | BATTERY SUPPORTLAV. BT          | 1,00 |           |         | --    |
| 0056 |   | MECB01341 |                  | WIRING ECS H2O NEW              | 1,00 | 06/2013   |         | --    |
| 0056 |   | MECB07612 |                  | WIRING                          | 1,00 |           | 06/2013 | --    |
| 0058 |   | MEVR34820 |                  | WIRING B 450 BT                 | 1,00 |           |         | --    |
| 0059 |   | VTVT01676 |                  | SCREW TSTC UNI 7688 M6X16       | 1,00 |           |         | --    |
| 0060 |   | MPVR00043 |                  | CAP CHIUS.FORO PORTAFUS.L 15    | 1,00 |           |         | --    |
| 0062 |   | MEVR01079 |                  | PLUG M CB50 A 600V RD.          | 1,00 |           |         | --    |
| 0064 |   | VTDD08634 |                  | NUT M2                          | 2,00 |           |         | --    |
| 0065 |   | FSVR00099 |                  | CLAMP FERMATUBO                 | 2,00 |           |         | --    |
| 0068 |   | MECI00334 |                  | MICROSWITCH V4                  | 1,00 |           |         | --    |
| 0069 |   | LAFN06409 |                  | SUPPORT -                       | 1,00 |           |         | --    |
| 0070 |   | VTVT00671 |                  | SCREW TC- M.2-16 OTTONE         | 2,00 |           |         | --    |
| 0071 |   | VTVT00872 |                  | SCREW TSP+ 2.9X13 AUTOFIL. INOX | 1,00 |           |         | --    |
| 0072 |   | VTVT00814 |                  | SCREW TE M.4-25                 | 2,00 |           |         | --    |
| 0073 |   | VTRS15913 |                  | WASHER D. 4 GROVER A2 UNI1751   | 2,00 |           |         | --    |
| 0074 |   | VTVT00659 |                  | SCREW TC+ M. 4-15               | 2,00 |           |         | --    |
| 0075 |   | MECE00493 |                  | BOARD BRUSH MOTOR CURTIS 24V 70 | 1,00 |           |         | --    |
| 0076 |   | MECE00491 |                  | BOARD 40ECS CURRENT READER LED  | 1,00 |           |         | --    |
| 0077 |   | LAFN07640 |                  | SUPPORT -                       | 1,00 |           |         | --    |
| 0078 |   | VTVT15906 |                  | SCREW TE 6X 12 A2 UNI 5739      | 2,00 |           |         | --    |
| 0079 |   | VTRS15144 |                  | WASHER D. 6 INX GRW UNI 1751    | 2,00 |           |         | --    |
| 0080 |   | VTVT00040 |                  | SCREW AUTOF.TC UNI6954 3.5X10SP | 4,00 |           |         | --    |
| 0081 |   | LAFN07642 |                  | PLATE -                         | 1,00 |           |         | --    |
| 0082 |   | VTVT08011 |                  | SCREW TE M 5X 12 DIN7500 FRM.D  | 4,00 |           |         | --    |
| 0083 |   | LAFN07732 |                  | BRACKET -                       | 1,00 |           |         | --    |
| 0084 |   | VTVT13940 |                  | SCREW M 6X 20 TSPEI UNI 5933    | 4,00 |           |         | --    |
| 0085 |   | VTRS13945 |                  | WASHER D. 6X18 INX UNI 6593     | 4,00 |           |         | --    |
| 0086 |   | VTDD01694 |                  | NUT M6 INOX                     | 4,00 |           |         | --    |
| 0087 |   | FSVR00043 |                  | CLAMP d.16                      | 1,00 |           |         | --    |
| 0088 |   | MEVR02887 |                  | FUSE 40A NST.                   | 1,00 |           |         | --    |
| 0089 |   | MEVR00604 |                  | FUSE                            | 1,00 |           |         | --    |
| 0090 |   | VTDD21115 |                  | NUT M 3 INOX                    | 2,00 |           |         | --    |
| 0091 |   | VTRS00268 |                  | WASHER D.3                      | 2,00 |           |         | --    |

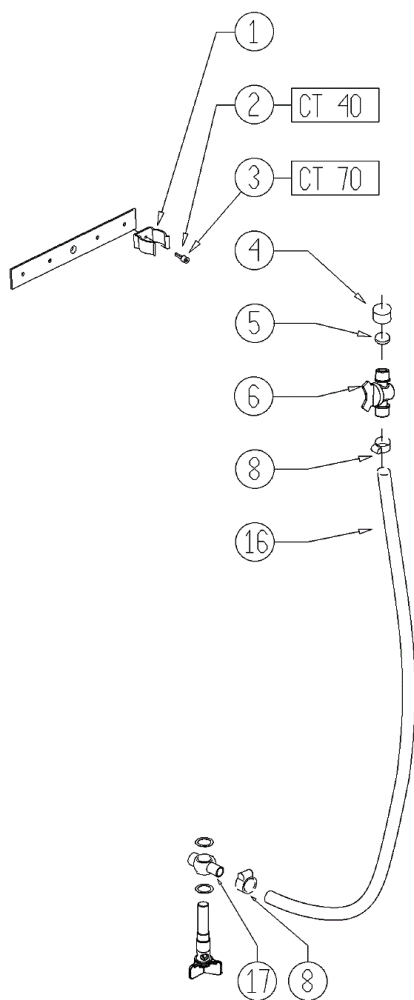




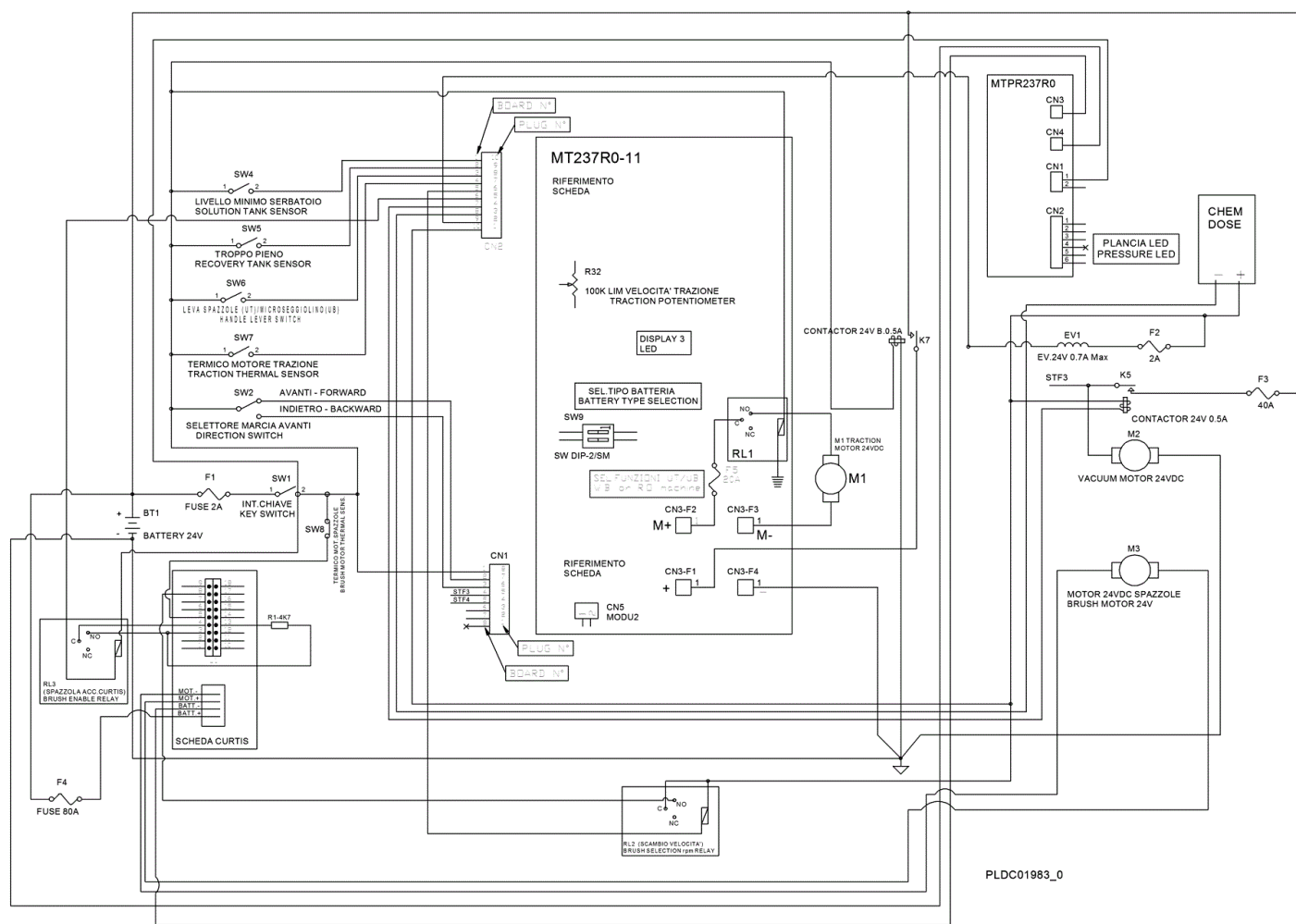
| Ref. | K | Part N.   | Customer Part N. | Description                       | Qty  | Validity: |         | Price |
|------|---|-----------|------------------|-----------------------------------|------|-----------|---------|-------|
|      |   |           |                  |                                   |      | From      | To      |       |
| 0001 |   | TBFX48011 |                  | TUBE FLEX D.12X3 ARMORV.PVC TR    | 0,71 |           |         | --    |
| 0002 |   | FSVR00428 |                  | CLAMP D. 12-20                    | 4,00 |           |         | --    |
| 0004 |   | VTRS00515 |                  | WASHER D. 4 INX                   | 2,00 |           |         | --    |
| 0005 |   | MEEV00036 |                  | SOLENOID VALVE HOLE 8mm CLEANTIME | 1,00 |           |         | --    |
| 0010 |   | MPVR05221 |                  | FILTER COMPLETO                   | 1,00 |           | 02/2013 | --    |
| 0010 |   | MPVR06303 |                  | FILTER CT40-70-90                 | 1,00 | 02/2013   |         | --    |
| 0011 |   | LAFN07783 |                  | CONNECTOR -                       | 1,00 |           |         | --    |
| 0012 |   | VTRS00567 |                  | WASHER 1/2                        | 2,00 |           |         | --    |
| 0017 |   | TBFX48011 |                  | TUBE FLEX D.12X3 ARMORV.PVC TR    | 0,17 |           |         | --    |
| 0019 |   | VTVT01158 |                  | SCREW M4x16                       | 2,00 |           |         | --    |



| Ref. | K | Part N.   | Customer Part N. | Description           | Qty  | Validity: |    | Price |
|------|---|-----------|------------------|-----------------------|------|-----------|----|-------|
|      |   |           |                  |                       |      | From      | To |       |
| 0001 |   | MPVR07067 |                  | TANK CT40             | 1,00 |           |    | --    |
| 0002 |   | MPVR05090 |                  | TANK SOLUTION RAL7024 | 1,00 |           |    | --    |
| 0003 |   | SPPV01161 |                  | DRIVE DISK MICROFIBRE | 1,00 |           |    | --    |
| 0004 |   | MPVR04722 |                  | BRUSH PROTECT. 55     | 1,00 |           |    | --    |
| 0005 |   | MPVR05611 |                  | SPLASH GUARD -        | 1,00 |           |    | --    |



| Ref. | K | Part N.   | Customer Part N. | Description              | Qty  | Validity: |    | Price |
|------|---|-----------|------------------|--------------------------|------|-----------|----|-------|
|      |   |           |                  |                          |      | From      | To |       |
| 0001 |   | MPVR05280 |                  | CLIP M25                 | 1,00 |           |    | --    |
| 0002 |   | VTVT19236 |                  | SCREW TCEI 5X20 UNI 5931 | 1,00 |           |    | --    |
| 0003 |   | VTVT01327 |                  | SCREW TCEI 5X25 UNI5931  | 1,00 |           |    | --    |
| 0004 |   | RCVR00353 |                  | CAP 1/2"G X ELETTR. ACL  | 1,00 |           |    | --    |
| 0005 |   | GUGO00268 |                  | GASKET D.21 SP.3 GOMMA   | 1,00 |           |    | --    |
| 0006 |   | RCVR00590 |                  | CONNECTOR 1/2 M RESCA 15 | 1,00 |           |    | --    |
| 0008 |   | FSVR00428 |                  | CLAMP D. 12-20           | 4,00 |           |    | --    |
| 0016 |   | TBBP00435 |                  | TUBE D.16                | 1,00 |           |    | --    |
| 0017 |   | RCVR00767 |                  | CONNECTOR -              | 1,00 |           |    | --    |



PLDC01983\_0

| Ref. | K | Part N.   | Customer Part N. | Description             | Qty  | Validity: |    | Price |
|------|---|-----------|------------------|-------------------------|------|-----------|----|-------|
|      |   |           |                  |                         |      | From      | To |       |
| F1   |   | MEVR01428 |                  | FUSE A LAMA 2 A. UNIVAL | 1,00 |           |    | --    |
| F2   |   | MEVR01428 |                  | FUSE A LAMA 2 A. UNIVAL | 1,00 |           |    | --    |
| F3   |   | MEVR02887 |                  | FUSE 40A NST.           | 1,00 |           |    | --    |
| F4   |   | MEVR00604 |                  | FUSE                    | 1,00 |           |    | --    |