

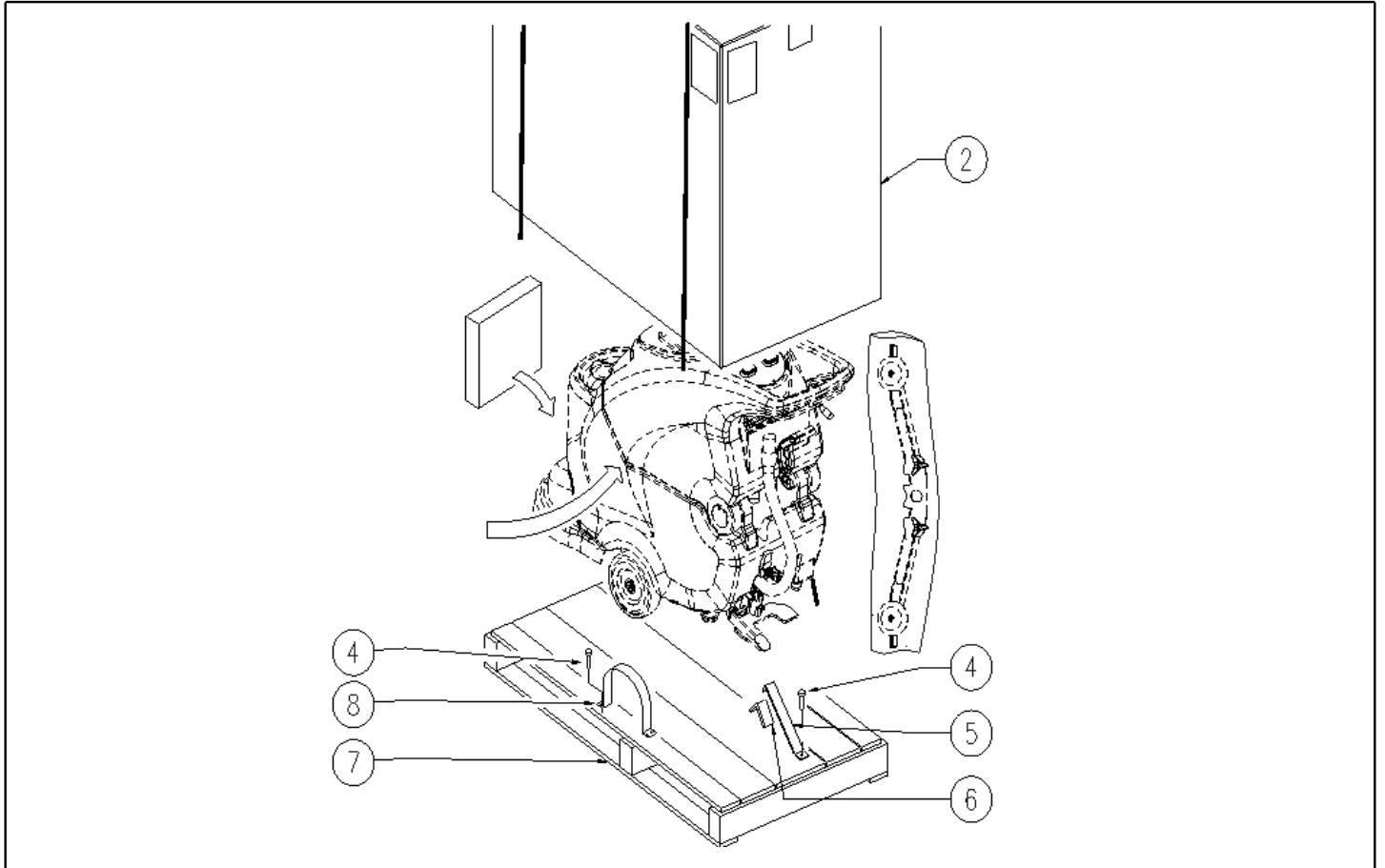


**IPC**

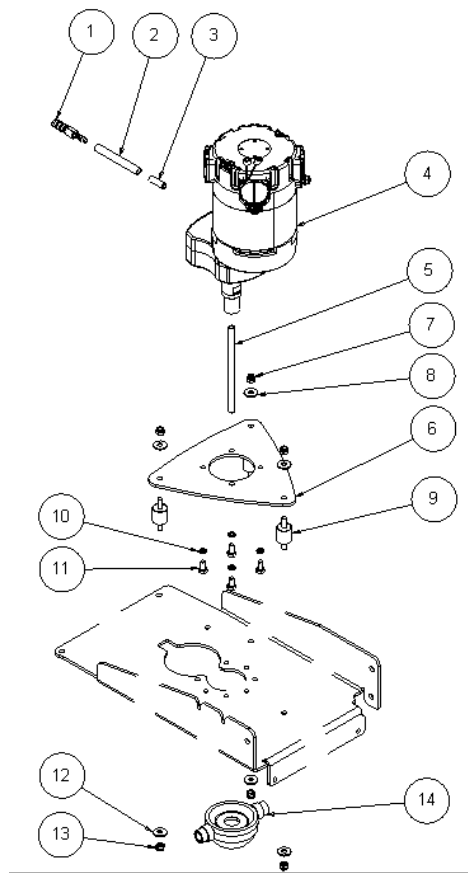
**Spare parts list**

Ref: LPTB02707

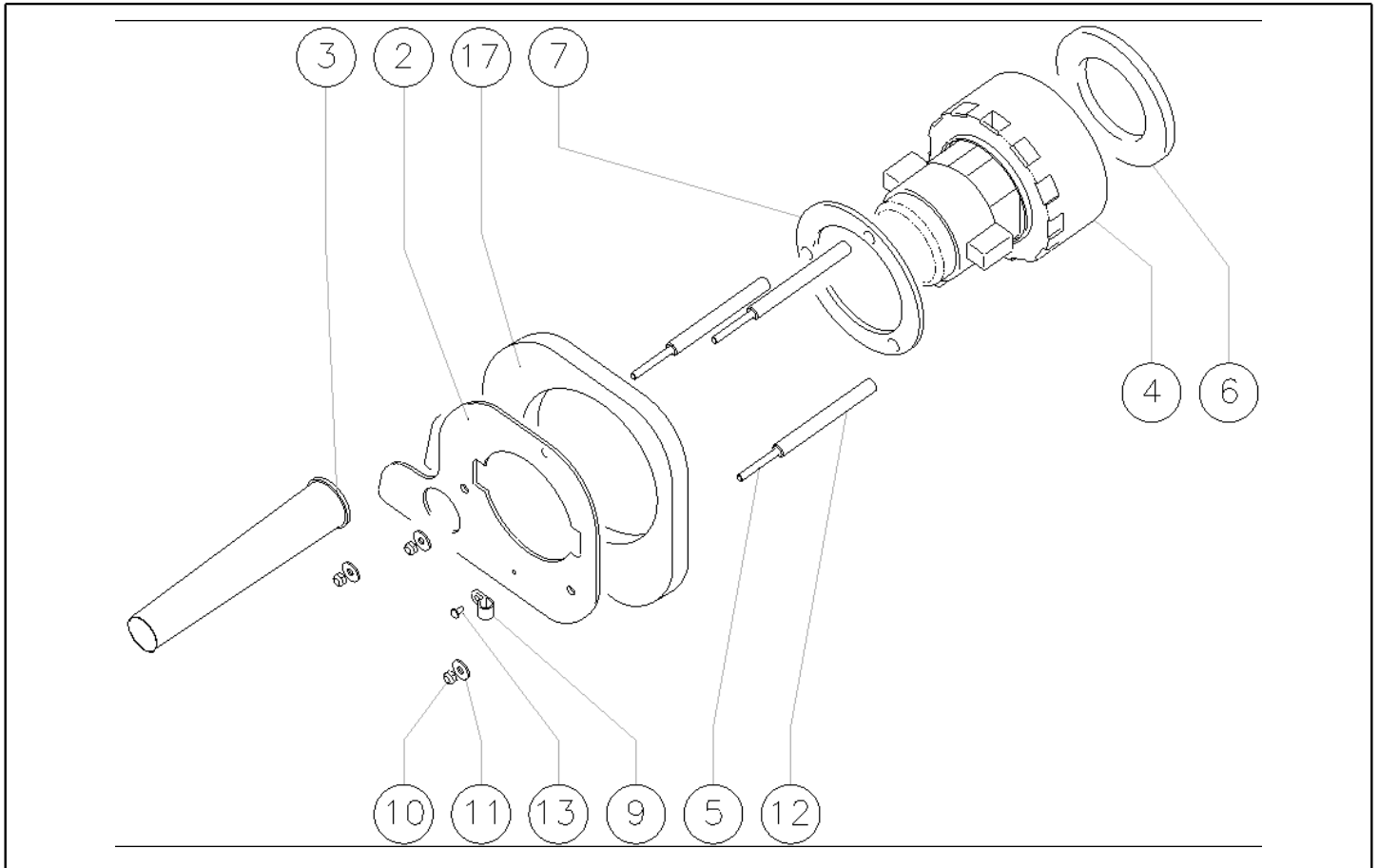
Model: FLOOR WASHER CT40 BT50 ECS GR/VE USA



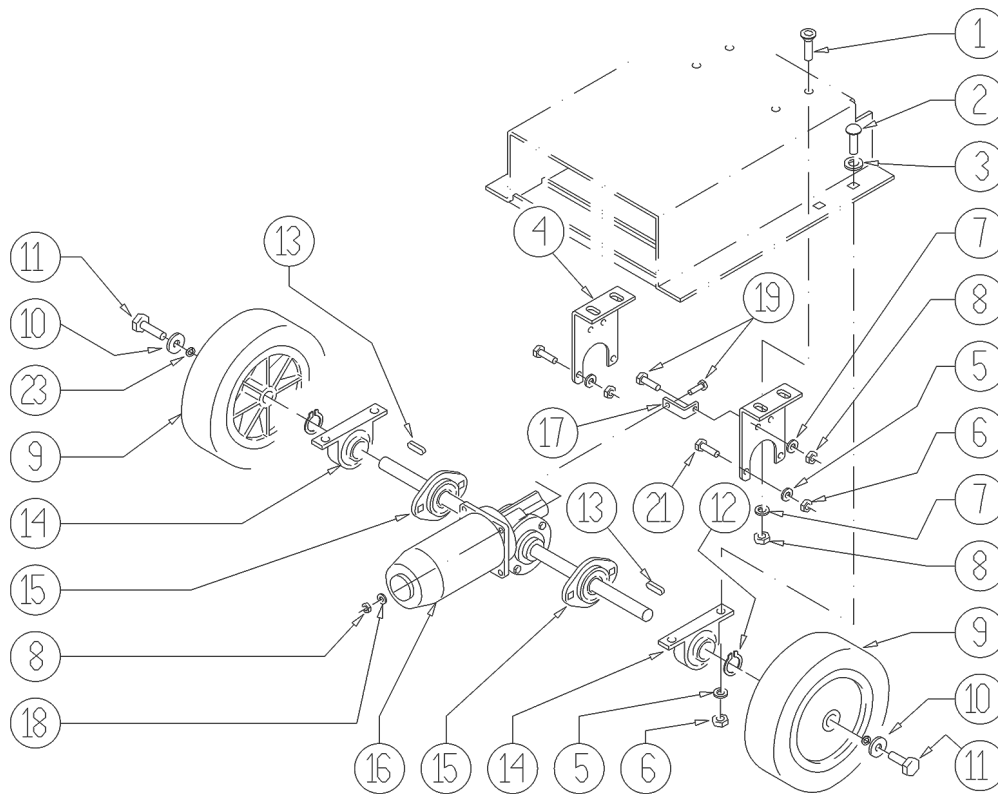
Ref. K	Part n.	Customer part n.	Description	Quantity	Validity		Price
					From	To	
0002	MICT00147	SL26138	CARTON IMBALLO RULLI	1,00			--
0004	VTVT00043	1105360	SCREW AUTOF.LEGNO 4,5X25 TS BR	9,00			--
0005	MIVR00137		CLAMP RUOTA POSTERIORE X IMBAL.	1,00			--
0006	GUGO00009	1320066	MOUSSE	0,05			--
0007	MIBA00077	SL26139	PALLET RULLI	1,00			--
0008	MIVR00135		CLAMP RUOTA POSTERIORE X IMBAL.	2,00			--



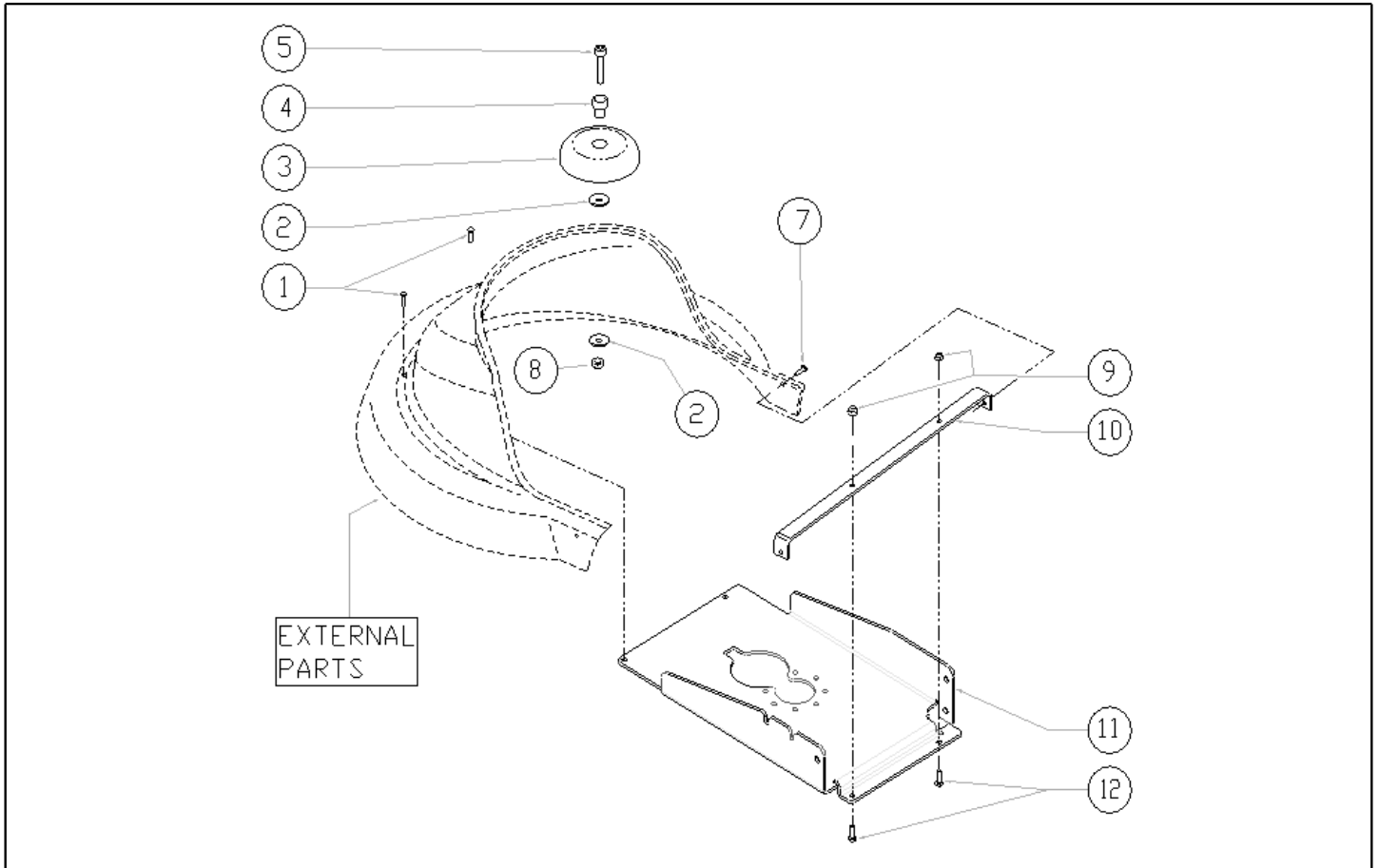
Ref. K	Part n.	Customer part n.	Description	Quantity	Validity		Price
					From	To	
0001	MPVR05610		CONNECTOR -	1,00			--
0002	TBBP00003	1270005	TUBE CRISTALLO 6X9	0,34			--
0003	LAFN07627		BUSHING -	1,00			--
0004	MOCC00368		MOTOR -	1,00			--
0004	MEVR01669		CARBON X MOT.COD.MOCC00298	1,00			--
0005	LAFN07630		BUSHING -	1,00			--
0006	LAFN07626		FLANGE -	1,00			--
0007	VTDD01694	SL05074	NUT M6 INOX	3,00			--
0008	VTRS04026		WASHER D. 6X18X2.38	3,00			--
0009	ABGO00051		VIBRATION DAMP. -	3,00			--
0010	VTRS15144	11051232	WASHER D. 6 INX GRW UNI 1751	4,00			--
0011	VTVT15906	SL04180	SCREW TE 6X 12 A2 UNI 5739	4,00			--
0012	VTRS04026		WASHER D. 6X18X2.38	3,00			--
0013	VTDD01694	SL05074	NUT M6 INOX	3,00			--
0014	MFVR00134	SL01043	DRIVE DISK SPAZZOLE	1,00			--



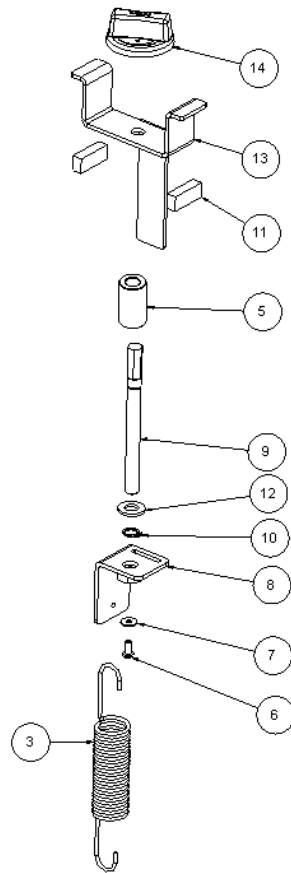
Ref. K	Part n.	Customer part n.	Description	Quantity	Validity		Price
					From	To	
0002	LAFN06363		FLANGE ASPIRATORE	1,00			--
0003	MPVR05259		TUBE SCARICO	1,00			--
0004	MOCC00342		VACUUM CLEANER 24V	1,00			--
0004	MEVR05200		CARBON MOTORE ASP.AMET.116599-13	2,00			--
0005	VTVT00785	SL04276	ROD FILETTO	3,00			--
0006	GUGO00272	SL03648	GASKET VACUUM MOTOR CT	1,00			--
0007	MPVR04724		FLANGE IN NYLON	1,00			--
0009	FSVR00099	SL14150	CLAMP FERMATUBO	1,00			--
0010	VTDD01694	SL05074	NUT M6 INOX	3,00			--
0011	VTRS13945	SL06039	WASHER D. 6X18 INX UNI 6593	3,00			--
0012	LAFN51077		SPACER PH	3,00			--
0013	VTVT00813	SL04319	SCREW M 4X 8 TCB-TC UNI 8112	1,00			--
0017	MPVR05103		SOUND-PROOFING ASPIRATORE	1,00			--



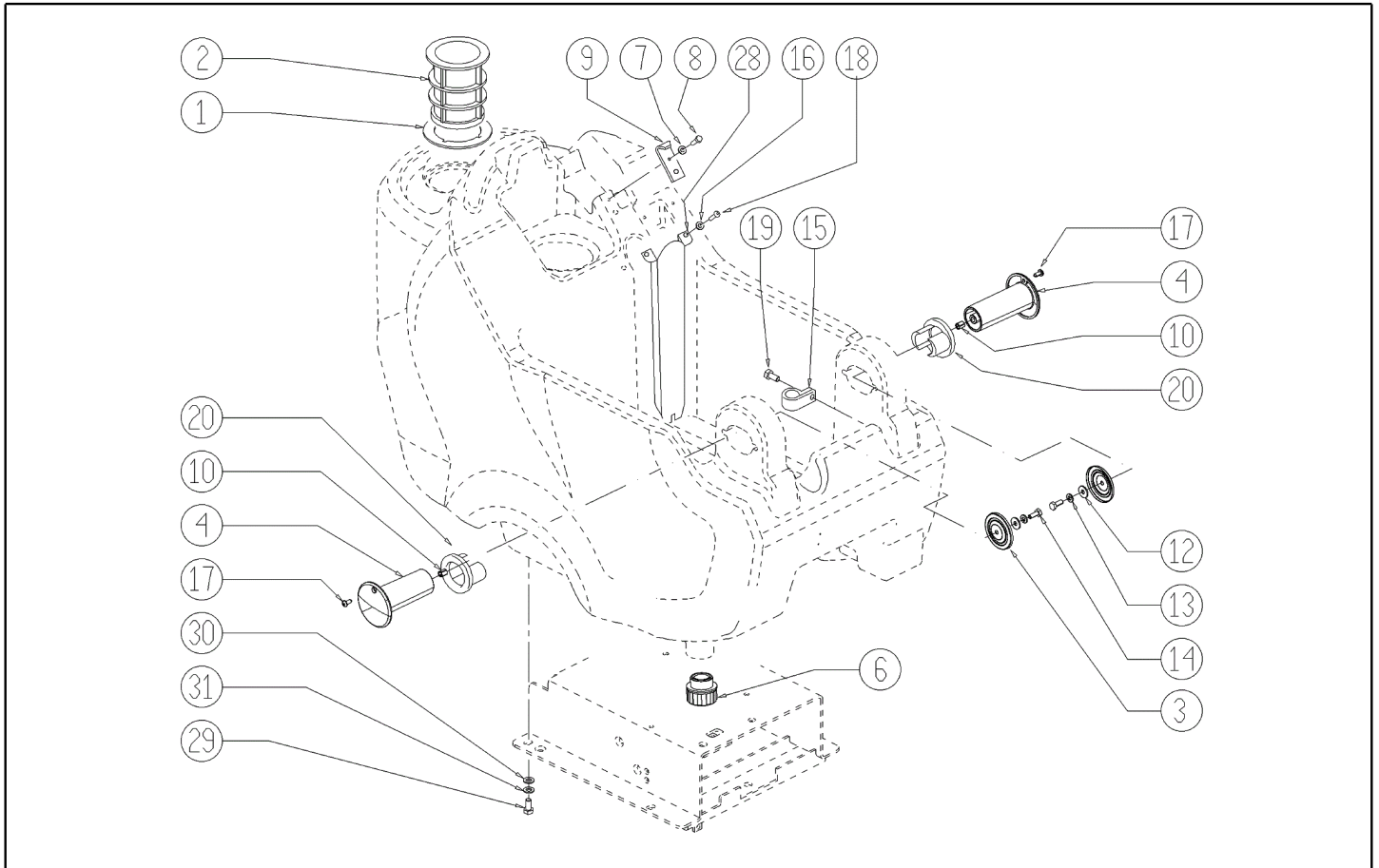
Ref. K	Part n.	Customer part n.	Description	Quantity	Validity		Price
					From	To	
0001	VTVT13940	SL04015	SCREW M 6X 20 TSPEI UNI 5933	4,00			--
0002	VTVT00842	SL04355	SCREW	4,00			--
0003	VTRS15978		WASHER D.12X24 UNI 6592 INX	4,00			--
0004	LAFN09092		BRACKET MOTORE	2,00			--
0005	VTRS13947	75373	WASHER D. 8 INX UNI 6592	8,00			--
0006	VTDD01695	SL05039	NUT M 8 INX	8,00			--
0007	VTRS13945	SL06039	WASHER D. 6X18 INX UNI 6593	5,00			--
0008	VTDD01694	SL05074	NUT M6 INOX	6,00			--
0009	RTRT00521		WHEEL -	2,00		21/01/2010	--
0009	RTRT00524		WHEEL -	2,00	22/01/2010	17/05/2010	--
0009	RTRT00529		WHEEL D200	2,00	18/05/2010	14/06/2012	--
0009	RTRT00546		WHEEL D.200	2,00	15/06/2012		--
0010	VTRS13946	SL06025	WASHER D. 8 X24 INX UNI 6593	2,00			--
0011	VTVT15916	SL04203	SCREW TE M 8X 16 UNI 5739 A2	2,00			--
0012	VTAE06193	RP06193	CIRCLIP D. 20 UNI 7435	2,00			--
0013	VTVR33668	SL11105	KEY 6x 6x40 UNI 6604A	2,00		14/06/2012	--
0013	VTVR00566		KEY 6X10X40 UNI 6604 A (H.10)	2,00	15/06/2012		--
0014	CUVR00169		BEARING FLANGIA P47	2,00			--
0015	CUVR00105	SL12031	SUPPORT	2,00			--
0016	MOCC00348		MOTOR AOMPDI 24V 145W	1,00			--
0016	MEVR01070	SL14383	CARBON	2,00			--
0017	LAFN09093		SMALL SQUARE -	1,00			--
0018	VTRS00245	SL06022	WASHER D.6 UNI 6592 INOX	1,00			--
0019	VTVT13939	11051239	SCREW TE 6X20 UNI5739 INX	2,00			--
0021	VTVT15907	SL04145	SCREW TE 8X25 UNI5739 INX	4,00			--
0023	VTRS15146	05519	WASHER D. 8 INX GRW UNI 1751	2,00			--



Ref. K	Part n.	Customer part n.	Description	Quantity	Validity		Price
					From	To	
0001	VTVT00659	SL04065	SCREW TC+ M. 4-15	2,00		14/02/2010	--
0001	VTVT01366		SCREW M4X16	2,00	15/02/2010	07/04/2016	--
0001	VTVT01004		SCREW TC+ M4 X 10 TRILOBATA	2,00	08/04/2016		--
0002	VTRS13946	SL06025	WASHER D. 8 X24 INX UNI 6593	2,00			--
0003	RTRT43370	SL08040	CASTER D.100 2V.	1,00			--
0004	LAFN03915	SL07390	BUSHING NUOVO RUOTINO STRONG	1,00			--
0005	VTVT17349		SCREW TCEI M 8X30	1,00		16/06/2009	--
0005	VTVT00822	SL04329	SCREW TCEI M 8-30	1,00	17/06/2009		--
0006	MEVR01281	SL23547	SPACER	2,00			--
0007	VTVT01366		SCREW M4X16	2,00			--
0008	VTDD01695	SL05039	NUT M 8 INX	1,00			--
0009	VTDD15518	75375	NUT M 6 INX	2,00			--
0010	LAFN05899	SL39370	SUPPORT BRACKET CARTER 1 EXTREME	1,00			--
0011	LAFN07747		PLATE -	1,00		16/02/2010	--
0011	LAFN07373		PLATE RIDUTTORE	1,00	17/02/2010		--
0012	VTVT15143	SL04135	SCREW TE 6X16 UNI5739	2,00			--
0016	LAFN04039	SL07524	THICKNESS	1,00			--

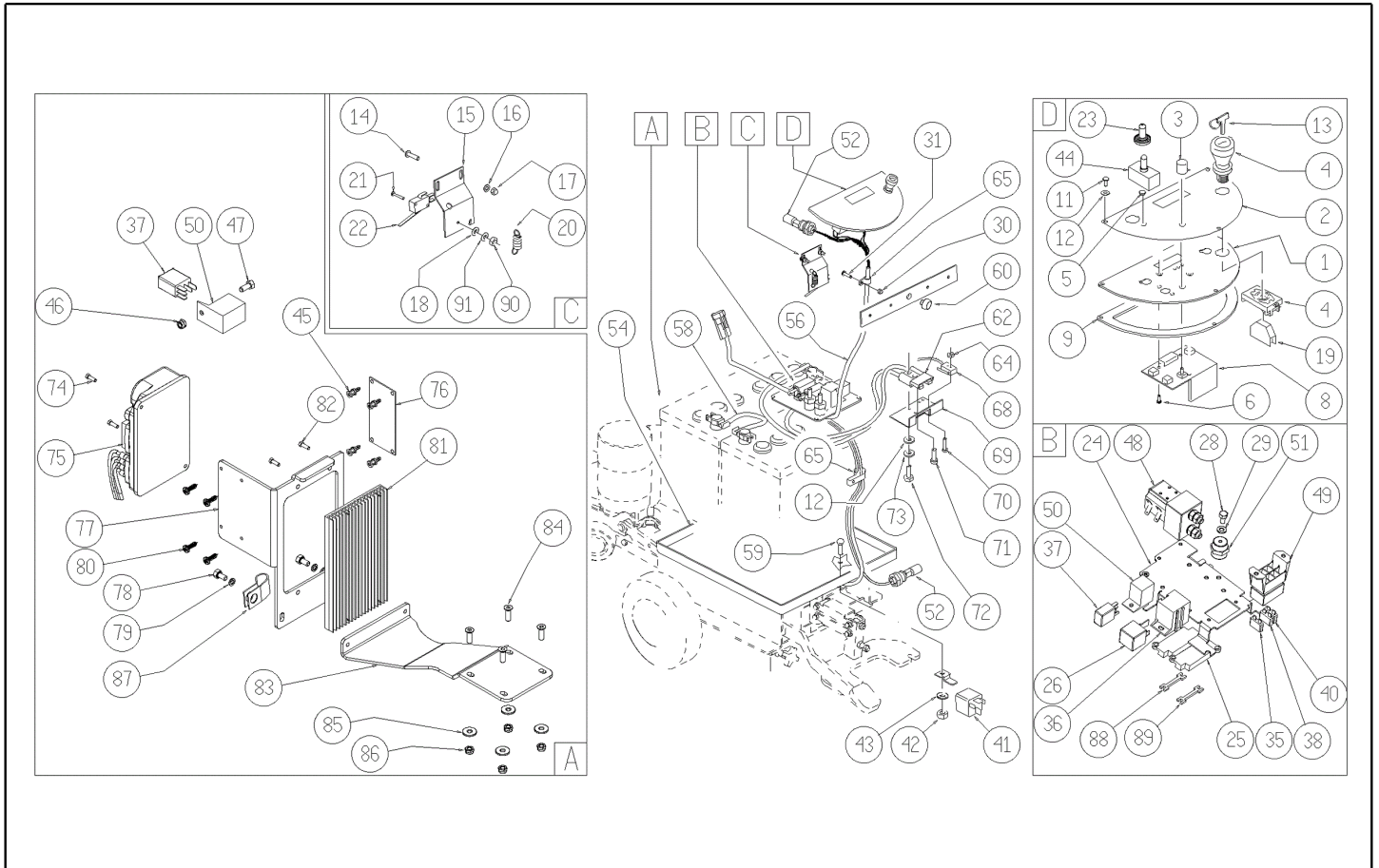


Ref. K	Part n.	Customer part n.	Description	Quantity	Validity		Price
					From	To	
0003	MLML00234	SL13139	SPRING TESTATA LINEA 3	1,00			--
0005	MPVR05631		SPACER PVC	1,00			--
0006	VTVT21887	SL04079	SCREW TCB-TC 4X10 8112	1,00			--
0007	VTRS00251	SL06031	WASHER 4-16 INOX A2	1,00			--
0008	LAFN07459		SUPPORT -	1,00			--
0009	LAFN07457		SUPPORT -	1,00			--
0010	VTAE13511	SL11014	CIRCLIP D. 10 UNI 7435	1,00			--
0011	GUGO00315		MOUSSE CT25	2,00			--
0012	VTRS15523	11051234	WASHER D.10 X21 INOX UNI 6592	1,00			--
0013	LAFN07458		SUPPORT -	1,00			--
0014	MPVR31050	SL20026	KNOB E 350N	1,00		15/07/2009	--
0014	MPVR75768	1320033	KNOB DI REGOLAZIONE PRESS	1,00	16/07/2009		--

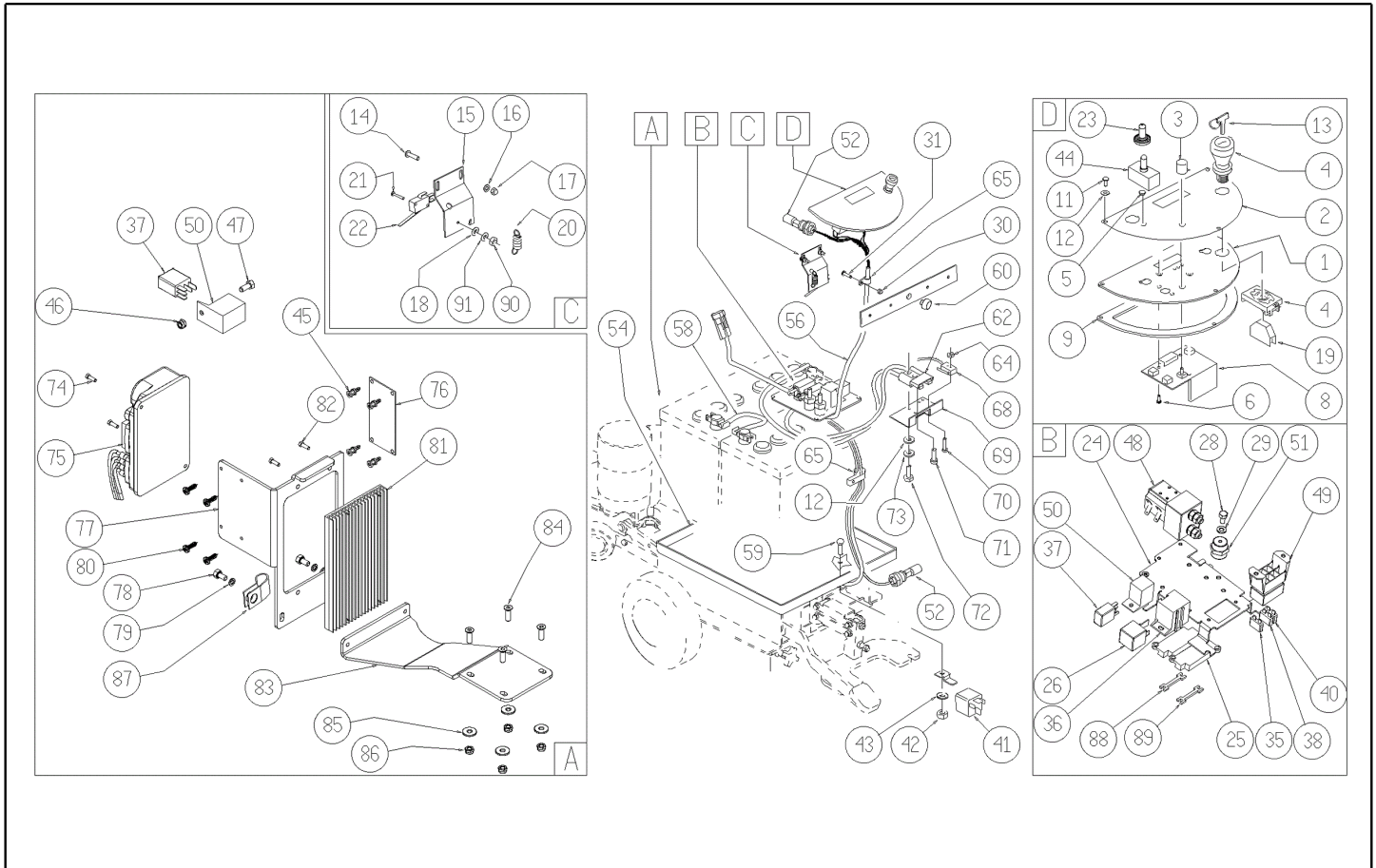


Ref. K	Part n.	Customer part n.	Description	Quantity	Validity		Price
					From	To	
0001	GUGO00267	SL03627	GASKET FILTRO	1,00			--
0002	FTAC48857	SL03526	FILTER SOLUTION TANK INLET	1,00			--
0003	LAFN07800		SHEET METAL PA. -	2,00			--
0004	MPVR48695	SL17493-1	PIN SHK.BK	2,00		10/09/2014	--
0004	MPVR06407		PIN -	2,00	11/09/2014		--
0006	MPVR08003		CAP	1,00		30/11/2016	--
0006	MPVR10774		CAP 1/2"	1,00	01/12/2016		--
0007	VTRS15144	11051232	WASHER D. 6 INX GRW UNI 1751	1,00			--
0008	VTVT01303		SCREW TE M6-10 INOX	1,00			--
0009	LAFN06489		PLATE	1,00			--
0010	VTVR48693	1105901	INSERT FILETTATO M6	1,00			--
0012	VTRS13945	SL06039	WASHER D. 6X18 INX UNI 6593	2,00			--
0013	VTRS15144	11051232	WASHER D. 6 INX GRW UNI 1751	2,00			--
0014	VTVT15143	SL04135	SCREW TE 6X16 UNI5739	2,00			--
0015	FSVR00099	SL14150	CLAMP FERMATUBO	2,00			--
0016	VTRS00515	SL06032	WASHER D. 4 INX	2,00			--
0017	VTVT48694	SL04371	SCREW TCB TC 5 X12 UNI 9707 TZ	2,00		10/09/2014	--
0018	VTVT37012	SL04289	SCREW M 4X 10 TCB-TC INX	2,00			--
0019	VTVT15961	SL04108	SCREW M 5X 16 TCB TC UNI 7687	1,00			--
0020	PMVR02028		RUBBER GRUPPO MONTAGGIO	2,00			--
0028	MPVR51085		FLAP POSTER.TERGI 950 MAGG.	1,00			--
0029	VTVT15916	SL04203	SCREW TE M 8X 16 UNI 5739 A2	4,00			--
0030	VTRS13947	75373	WASHER D. 8 INX UNI 6592	4,00			--
0031	VTRS00269	SL06057	WASHER D. 8 DIN 6798-A INX A2	4,00			--

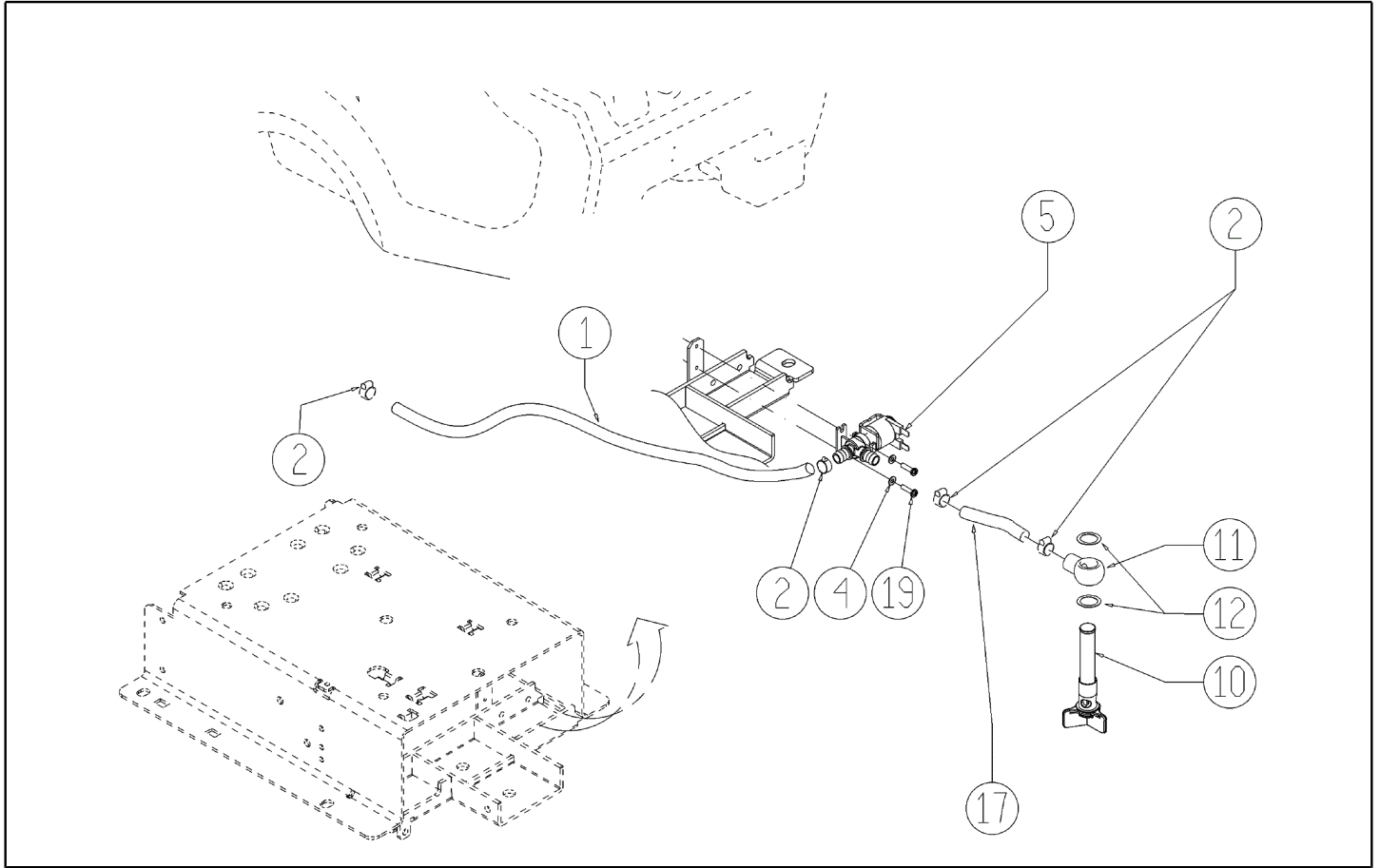




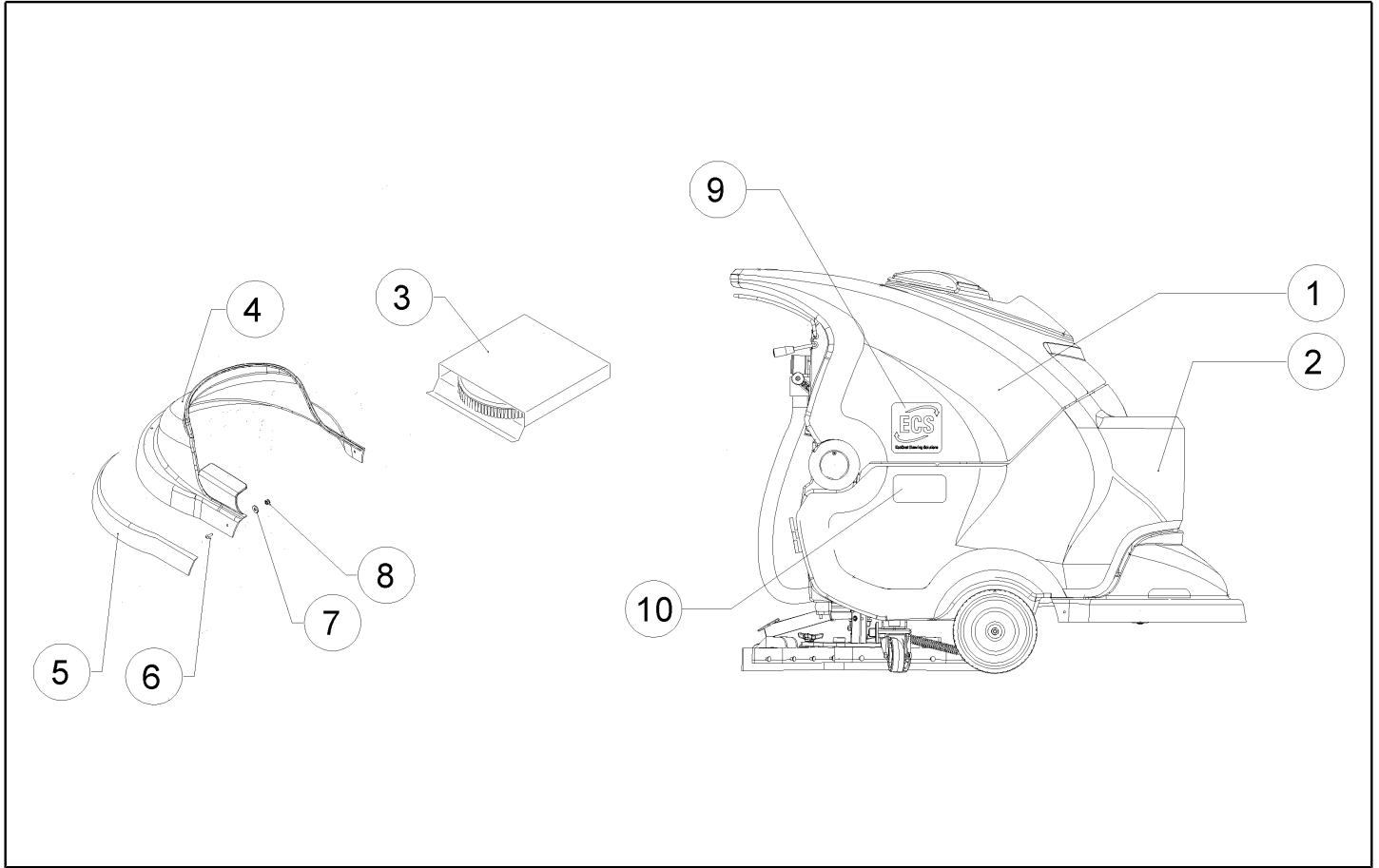
Ref. K	Part n.	Customer part n.	Description	Quantity	Validity		Price
					From	To	
0001	LAFN08989		SUPPORT -	1,00			--
0002	ETET01718		LABEL -	1,00			--
0003	MEVR01666		KNOB POTENTIOMETER	1,00			--
0004	MECI00402		BUTTON A FUNGO	1,00			--
0005	RCVR00164	70216		1,00			--
0006	VTVT00722	SL04179	SCREW	3,00			--
0008	MECE00566		BOARD BT ECS H2O	1,00		27/06/2013	--
0008	MECB01327		BOARD CT40 ECS H2O	1,00	28/06/2013		--
0009	GUGO38417		GASKET PANN.COM.EXTREME	1,00			--
000D	MECE00587		BOARD BT ECS H2O 2013	1,00			--
0011	VTVT37012	SL04289	SCREW M 4X 10 TCB-TC INX	3,00			--
0012	VTRS00515	SL06032	WASHER D. 4 INX	3,00			--
0013	CHVR00051		Fixing Lever	1,00			--
0014	VTVT07725	SL04152	SCREW TE 5X16 UNI5739 INX	2,00			--
0015	LAFN05904	SL39374	PLATE MICRO LEVA	1,00			--
0016	VTRS00516	SL06034	WASHER D. 5 INX	2,00			--
0017	VTDD01693	SL05087	NUT M 5 INX	6,00			--
0018	VTRS21116	SL06009	WASHER D. 3 INX	2,00			--
0019	MECI00403		CONTACT -	1,00			--
0020	MLML34726	SL13013	SPRING TR E350 N	1,00		09/07/2014	--
0020	MLML00203	SL13098	SPRING	1,00	10/07/2014		--
0021	VTVT01316		SCREW TC+ M3-16	2,00			--
0022	MECI36393	SL23109	MICROSWITCH TRZ. DRW	1,00			--
0023	MEVR01975		RUBBER DEVIATORE	1,00			--
0025	MEVR31036		FUSE-HOLDER	1,00			--
0026	MECE00139	70194	RELAY 24V 70A	1,00			--
0030	VTDD15925	SL05078	NUT M 4 INX	1,00			--
0031	VTVT00704	SL04149	SCREW TE M 4X 16 UNI5739 INOX	1,00			--
0035	MEVR01428	SL53040	FUSE A LAMA 2 A. UNIVAL	1,00			--
0036	METT00053	SL23722	BLOCK PORTA RELE'	1,00			--
0037	MECE00456		RELAY CT110	1,00			--
0038	MEVR00039	1380017	FUSE LAMELLARE 20A	1,00			--
0040	MEVR01428	SL53040	FUSE A LAMA 2 A. UNIVAL	1,00			--
0041	MECI00005	1180040	RELAY 24V 10/20A	1,00			--
0042	VTDD01694	SL05074	NUT M6 INOX	1,00			--
0043	VTRS00245	SL06022	WASHER D.6 UNI 6592 INOX	1,00			--
0044	MECI34120		SWITCH T 115-EA	1,00			--
0045	MEVR01982		SUPPORT -	4,00			--
0046	VTDD01693	SL05087	NUT M 5 INX	1,00			--
0047	VTVT01300		SCREW TE M5X12 INOX	1,00			--
0048	METT00079		CONTACTOR E TL 10P 24V 100A	1,00			--
0049	MEVR00030	1380004	FUSE-HOLDER 4 VIE COPERCHIO TRAS.	1,00			--
0052	MECI00516		SENSOR FLOAT WATER TANK	2,00			--
0054	LAFN35588	SL17162-1	BATTERY SUPPORT CT LINE	1,00			--



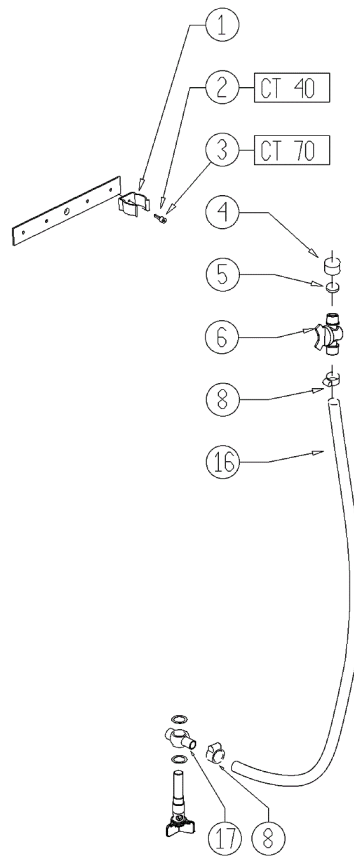
Ref. K	Part n.	Customer part n.	Description	Quantity	Validity		Price
					From	To	
0056	MECB07612		WIRING	1,00		27/06/2013	--
0056	MECB01341		WIRING ECS H2O NEW	1,00	28/06/2013		--
0058	MEVR34820	SL23838	WIRING BATTERY BRIDGE W/TERMINAL	1,00			--
0059	VTVT01676		SCREW TSTC UNI 7688 M6X16	1,00			--
0060	MPVR00043	12602002	CAP CHIUS.FORO PORTAFUS.L 15	1,00			--
0062	MEVR01079	SL23010K	PLUG M CB50 A 600V RD.	1,00			--
0064	VTDD08634	SL05031	NUT M2	2,00			--
0065	FSVR00099	SL14150	CLAMP FERMATUBO	2,00			--
0068	MECI00334	SL53031-L	MICROSWITCH CHARGING PLUG	1,00			--
0069	LAFN06409		SUPPORT -	1,00			--
0070	VTVT00671	SL04086	SCREW TC- M.2-16 OTTONE	2,00			--
0071	VTVT00872	SL04393	SCREW TSP+ 2.9X13 AUTOFIL. INOX	1,00			--
0072	VTVT00814	SL04320	SCREW TE M.4-25	2,00			--
0073	VTRS15913	SL06107	WASHER D. 4 GROVER A2 UNI1751	2,00			--
0074	VTVT00659	SL04065	SCREW TC+ M. 4-15	2,00			--
0075	MECE00493		BOARD BRUSH MOTOR CURTIS 24V 70	1,00			--
0076	MECE00491		BOARD 40ECS CURRENT READER LED	1,00			--
0077	LAFN07640		SUPPORT -	1,00			--
0078	VTVT15906	SL04180	SCREW TE 6X 12 A2 UNI 5739	2,00			--
0079	VTRS15144	11051232	WASHER D. 6 INX GRW UNI 1751	2,00			--
0080	VTVT00040	1105356	SCREW AUTOF.TC UNI6954 3,5X10SP	4,00			--
0081	LAFN07642		PLATE -	1,00			--
0082	VTVT08011		SCREW TE M 5X 12 DIN7500 FRM.D	4,00			--
0083	LAFN07732		BRACKET -	1,00			--
0084	VTVT13940	SL04015	SCREW M 6X 20 TSPEI UNI 5933	4,00			--
0085	VTRS13945	SL06039	WASHER D. 6X18 INX UNI 6593	4,00			--
0086	VTDD01694	SL05074	NUT M6 INOX	4,00			--
0087	FSVR00043	70985	CLAMP d.16	1,00			--
0088	MEVR02887		FUSE 40A NST.	1,00			--
0089	MEVR00604	70338	FUSE	1,00			--
0090	VTDD21115	SL05019	NUT M 3 INOX	2,00			--
0091	VTRS00268	SL06056	WASHER D.3	2,00			--



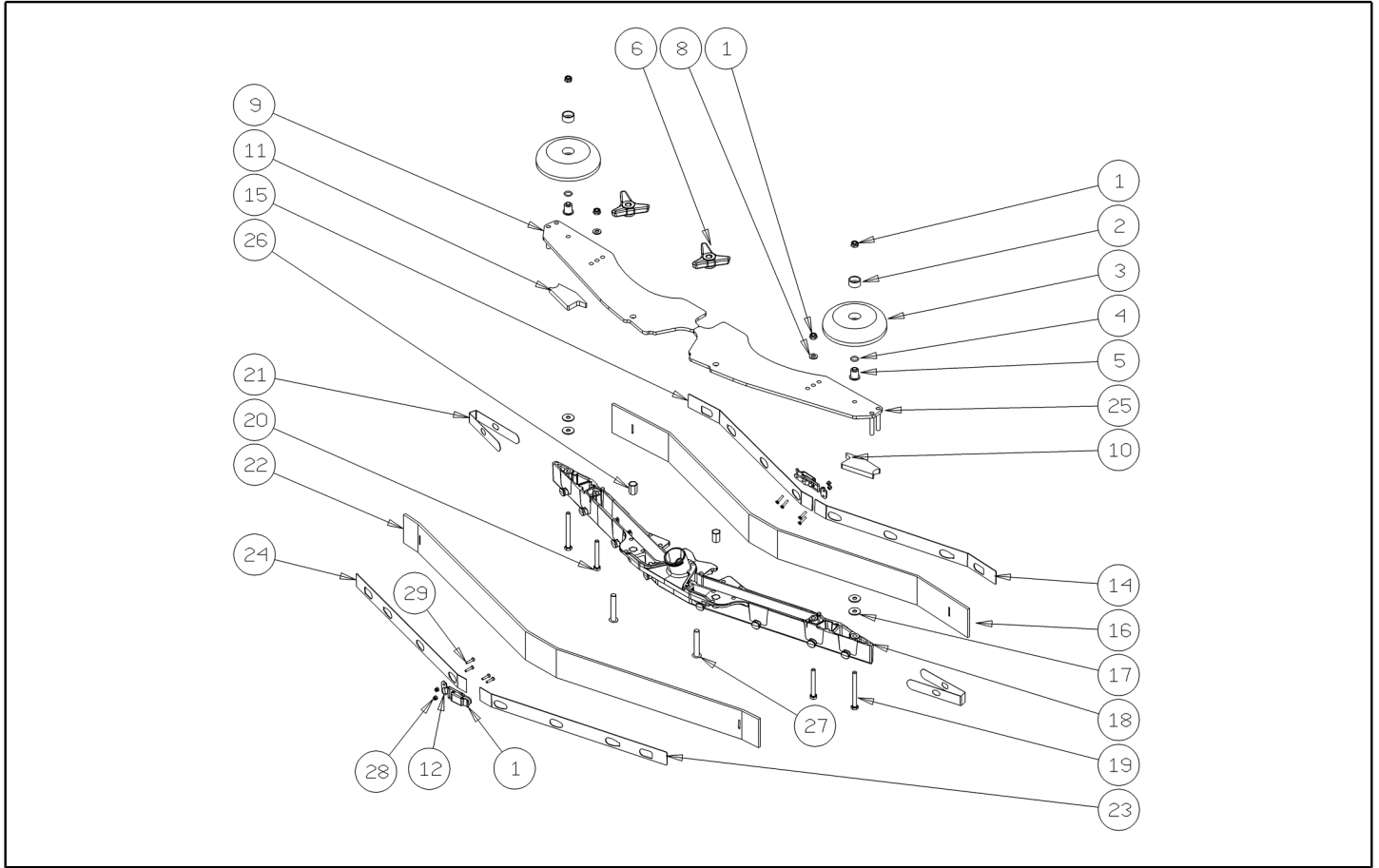
Ref. K	Part n.	Customer part n.	Description	Quantity	Validity		Price
					From	To	
0001	TBFX48011	MP19205	TUBE FLEX D.12X3 ARMORV.PVC TR	0,71			--
0002	FSVR00428		CLAMP D. 12-20	4,00			--
0004	VTRS00515	SL06032	WASHER D. 4 INX	2,00			--
0005	MEEV00036		SOLENOID VALVE HOLE 8mm CLEANTIME	1,00			--
0010	MPVR05221		FILTER COMPLETO	1,00		14/02/2013	--
0010	MPVR06303		FILTER CT40-70-90	1,00	15/02/2013		--
0011	LAFN07783		CONNECTOR -	1,00			--
0012	VTRS00567		WASHER 1/2	2,00			--
0017	TBFX48011	MP19205	TUBE FLEX D.12X3 ARMORV.PVC TR	0,17			--
0019	VTVT01158		SCREW M4x16	2,00			--



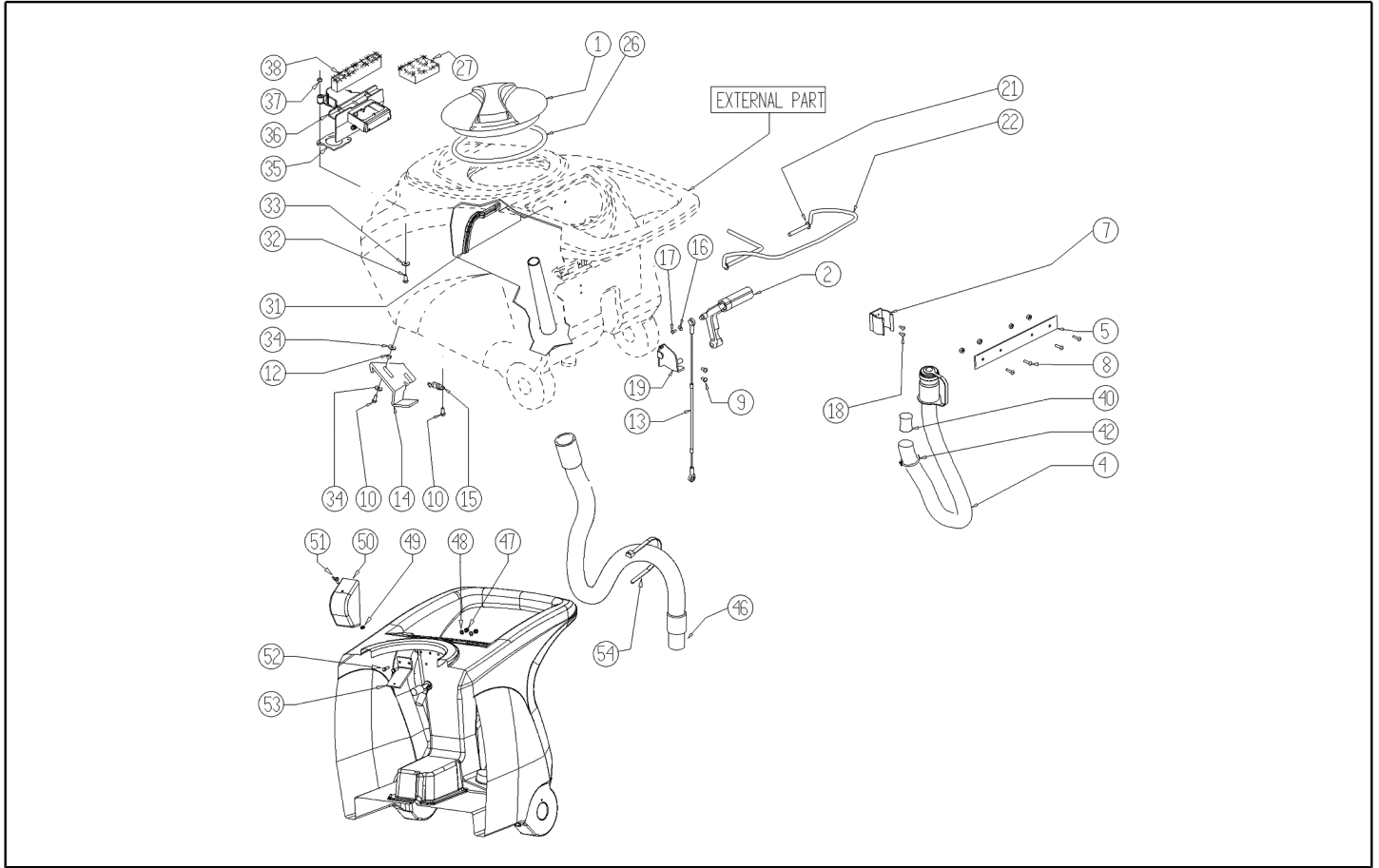
Ref. K	Part n.	Customer part n.	Description	Quantity	Validity		Price
					From	To	
0001	MPVR07067		TANK CT40	1,00			--
0002	MPVR05090		TANK SOLUTION RAL7024	1,00			--
0003	SPPV01161		DRIVE DISK MICROFIBRE	1,00			--
0004	MPVR04722		BRUSH PROTECT. 55	1,00			--
0005	MPVR05611		SPLASH GUARD -	1,00			--
0009	ETET01690		LABEL -	2,00			--
0010	ETET20172		LABEL -	2,00			--



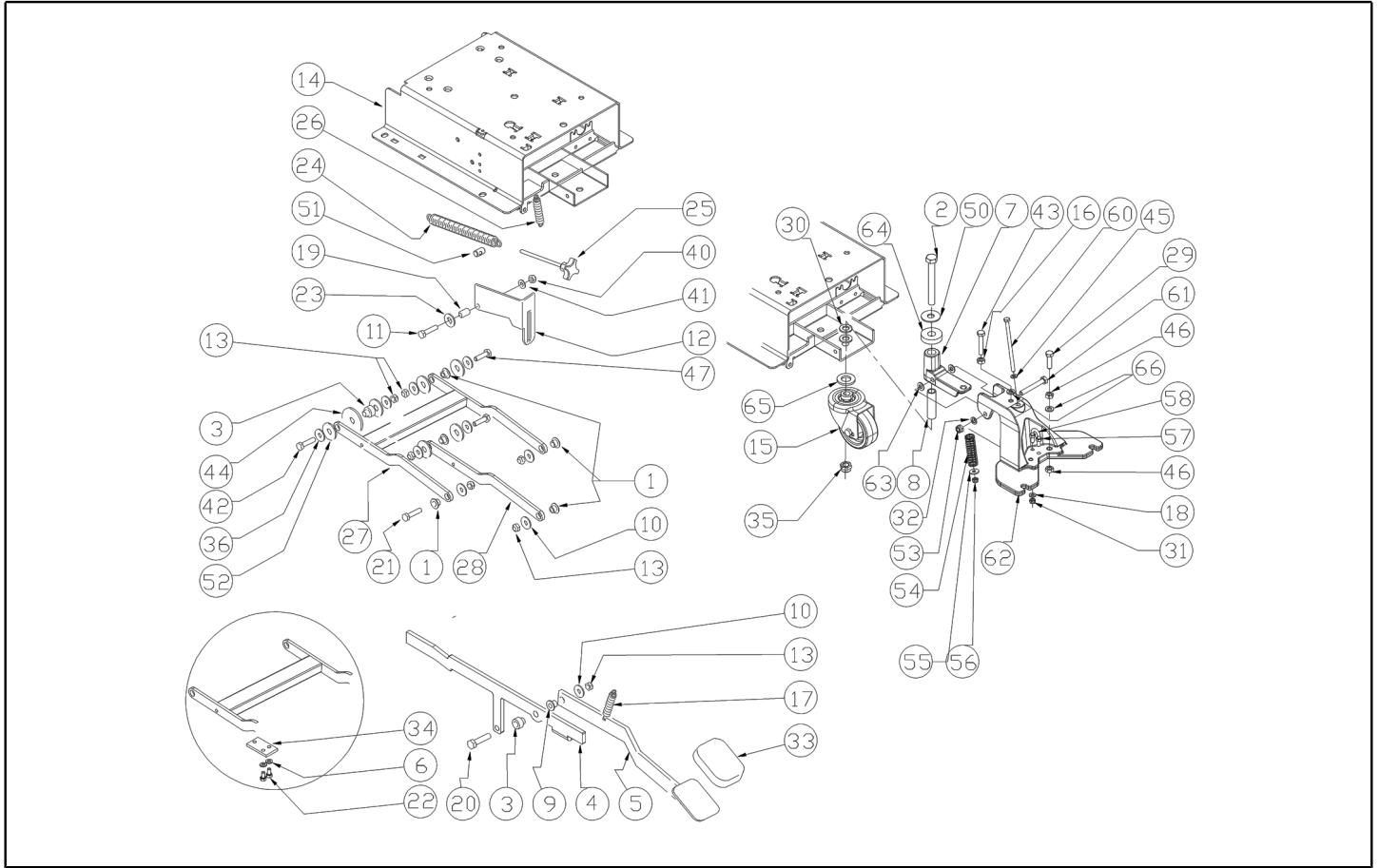
Ref. K	Part n.	Customer part n.	Description	Quantity	Validity		Price
					From	To	
0001	MPVR05280		CLIP M25	1,00			--
0002	VTVT19236	1105777	SCREW TCCE UNI 5931 5X20 ZB	1,00			--
0003	VTVT01327		SCREW TCEI 5X25 UNI5931	1,00			--
0004	RCVR00353	SL14382	CAP 1/2"G X ELETTR. ACL	1,00			--
0005	GUGO00268	SL03630	GASKET D.21 SP.3 GOMMA	1,00			--
0006	RCVR00590		CONNECTOR 1/2 M RESCA 15	1,00			--
0008	FSVR00428		CLAMP D. 12-20	4,00			--
0016	TBBP00435		TUBE D.16	1,00			--
0017	RCVR00767		CONNECTOR -	1,00			--



Ref. K	Part n.	Customer part n.	Description	Quantity	Validity		Price
					From	To	
0001	LAFN09302		CLOSURE -	2,00	26/09/2013		--
0002	MPVR49229	SL17608	BUSHING SHK	2,00			--
0003	MPVR05290		ROLLER SIDE BUMPER WHEEL	2,00			--
0004	GUGO00164	SL03199	GASKET	2,00			--
0005	LAFN04100	SL07596	SPACER PER RUOTINO PARACOLPI	2,00			--
0006	MPVR06003		KNOB AISI 304	2,00		05/03/2013	--
0006	MPVR06004		KNOB AISI 304	2,00	06/03/2013		--
0008	VTRS00245	SL06022	WASHER D.6 UNI 6592 INOX	2,00			--
0009	LAFN07936		PLATE XS	1,00			--
0010	GUVR00299		GASKET -	1,00			--
0011	GUVR00298		GASKET -	1,00			--
0012	LAFN09301		SOCKET -	2,00	26/09/2013		--
0014	LAFN08940		BRACKET -	1,00		25/09/2013	--
0014	LAFN09275		BLADE HOLDER FRONT RIGHT XS	1,00	26/09/2013		--
0015	LAFN08945		BRACKET -	1,00		25/09/2013	--
0015	LAFN09276		BLADE HOLDER FRONT LEFT XS	1,00	26/09/2013		--
0016	MPVR08042		BLADE XS LATEX	1,00			--
0017	VTRS13945	SL06039	WASHER D. 6X18 INX UNI 6593	4,00			--
0018	KTRI02051		BODY SQUEEGEE PRESSOFUSO "XS"	1,00			--
0019	VTVT00841	SL04354	SCREW TE M 6X65 UNI 5739 INX	2,00			--
0020	VTVT15515	SL04261	SCREW TE M 6X 50 INOX A2	2,00			--
0021	MPVR05897		CLOSURE S	2,00			--
0022	MPVR08043		BLADE XS LATEX	1,00			--
0023	LAFN08946		BRACKET -	1,00		25/09/2013	--
0023	LAFN09277		BLADE HOLDER REAR RIGHT XS	1,00	26/09/2013		--
0024	LAFN08947		BRACKET -	1,00		25/09/2013	--
0024	LAFN09278		BLADE HOLDER REAR LEFT XS	1,00	26/09/2013		--
0025	LAFN07937		PLATE XS	1,00			--
0026	VTVR00565		INSERT -	2,00			--
0028	VTDD00210		NUT M 3 AUTOBL.DIN 985 IX.A2	8,00	26/09/2013		--
0029	VTVT01070		SCREW TSTC M3X8	8,00	26/09/2013		--

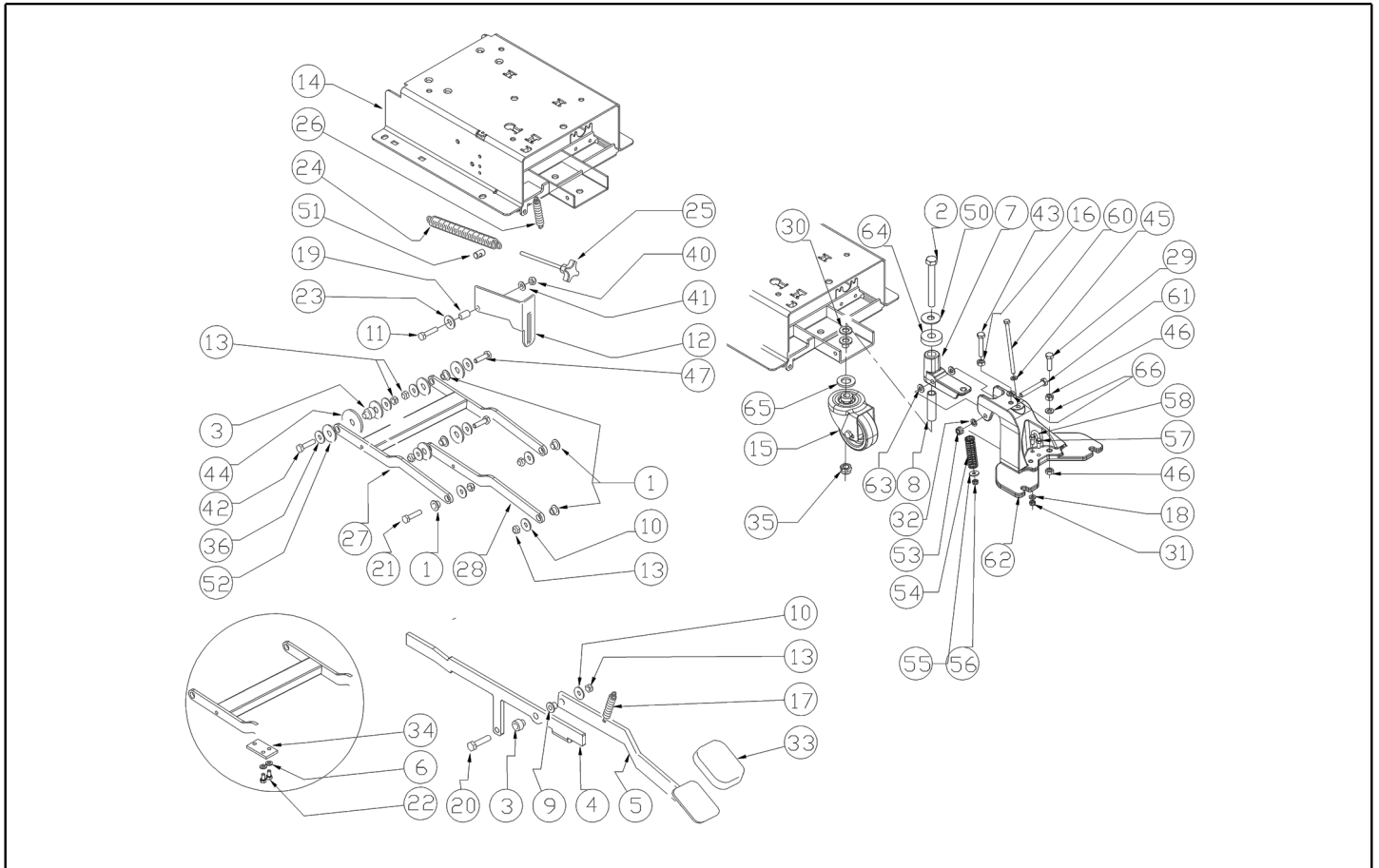


Ref. K	Part n.	Customer part n.	Description	Quantity	Validity		Price
					From	To	
0001	MPVR04051	SL17611	TANK CAP	1,00			--
0002	MPVR49942	SL17614	LEVER SQUEEGEE LIFTING PP	1,00			--
0003	VTDD01694	SL05074	NUT M6 INOX	4,00			--
0004	TBFX00348		TUBE CT40-70-90 HOSE DRAIN	1,00		02/04/2013	--
0004	TBFX00358		TUBE PU CT40/70/90	1,00	03/04/2013		--
0005	LAFN05865	SL39336	PLATE COPRILEVA CONSENSO	1,00			--
0007	MPVR46988	SL13118	CLIP FIXATION DRAIN HOSE	1,00			--
0008	VTVT07725	SL04152	SCREW TE 5X16 UNI5739 INX	4,00			--
0009	VTVT15906	SL04180	SCREW TE 6X 12 A2 UNI 5739	2,00			--
0010	VTVT15143	SL04135	SCREW TE 6X16 UNI5739	3,00			--
0012	LAFN03626	SL07047	SPACER	1,00			--
0013	CMCV00464		CABLE SOLLEVAMENTO TERGI	1,00			--
0014	LAFN06490		HANDLE	1,00			--
0015	MLML00203	SL13098	SPRING	1,00			--
0016	VTRS00251	SL06031	WASHER 4-16 INOX A2	1,00			--
0017	VTVT00800	SL04303	SCREW TC 4X12 ZN	1,00			--
0018	VTVT21096	SL04032	SCREW TE M 4X 10 INX	2,00			--
0019	LAFN05870	SL39341	BRACKET SQUEEGEE LIFTING	1,00			--
0021	VTRS13947	75373	WASHER D. 8 INX UNI 6592	2,00			--
0022	LAFN05861	SL39332	LEVER CONSENSO SPAZZOLE	1,00		15/06/2014	--
0022	LAFN09339		LEVER HANDLE ACTIVATION	1,00	16/06/2014		--
0026	GUGO00263	SL03612	GASKET CIRCOLARE TAPPO	1,00			--
0027	FTDP00133	SL03647	FILTER VACUUM MOTOR	1,00			--
0031	MPVR07074		PLATE -	1,00			--
0032	VTVT00814	SL04320	SCREW TE M.4-25	2,00			--
0033	VTRS00515	SL06032	WASHER D. 4 INX	2,00			--
0034	VTRS00274	SL06064	WASHER NYLON 66 D.8,4-17-2 UNI	4,00			--
0035	GUGO00417		GASKET SCATOLA ASPIRAZIONE	1,00			--
0036	MPVR05482		BOX -	1,00			--
0037	VTDD15925	SL05078	NUT M 4 INX	2,00			--
0038	GUGO00418		GASKET CONDOTTO ASPIRAZIONE	1,00			--
0040	GUGO00245	SL03519	GASKET	2,00			--
0042	FSVR43136	SL14063	CLAMP D. 35-40 DF.	1,00			--
0046	KTRI04696		KIT REPLACEMENT TBFX00353	1,00			--
0047	VTDD01693	SL05087	NUT M 5 INX	2,00			--
0048	VTRS00516	SL06034	WASHER D. 5 INX	4,00			--
0049	VTVR01038		WASHER -	1,00			--
0050	MPVR05596		PROTECTION -	1,00			--
0051	VTVT01150		SCREW 4x10	1,00			--
0052	VTVT07726	SL04416	SCREW TE 5X20	2,00			--
0053	LAFN07631		BRACKET -	1,00			--
0054	FSVR00248		CLAMP -	1,00			--



Ref. K	Part n.	Customer part n.	Description	Quantity	Validity		Price
					From	To	
0001	LAFN06391		BUSHING BRUSH DECK SUPPORT	5,00			--
0002	VTVT00285	SL04151	SCREW TE M12X110	1,00			--
0003	LAFN04190	SL07682	BUSHING PARALLELOGR.TEST.GR.	2,00			--
0004	LAFN07629		PEDAL -	1,00			--
0005	LAFN07602		LEVER -	1,00		30/06/2013	--
0005	LAFN09270		PEDAL -	1,00	01/07/2013		--
0006	VTRS15144	11051232	WASHER D. 6 INX GRW UNI 1751	2,00			--
0007	MFVR00226		SUPPORT SQUEEGEE	1,00			--
0008	LAFN09006		PIN -	1,00			--
0009	LAFN51068		Bushing	1,00			--
0010	VTRS13946	SL06025	WASHER D. 8 X24 INX UNI 6593	4,00			--
0011	VTVT00161	05244	SCREW TE M6X20	1,00			--
0012	LAFN10124		PLATE	1,00			--
0013	VTDD01695	SL05039	NUT M 8 INX	7,00			--
0014	LAFN07293		BASE SERBATOIO	1,00			--
0015	RTRT00518		WHEEL CASTOR D.80X30	1,00			--
0016	VTDD15521	05518	NUT M 8 INX A2 UNI 5588	1,00			--
0017	MLML34726	SL13013	SPRING TR E350 N	1,00			--
0018	VTRS00245	SL06022	WASHER D.6 UNI 6592 INOX	1,00			--
0019	LAFN03840	SL07318	BUSHING	1,00			--
0020	VTVT15917	SL04143	SCREW TE M 8X50 INOX A2 UNI	1,00			--
0021	VTVT15907	SL04145	SCREW TE 8X25 UNI5739 INX	3,00			--
0022	VTVT15906	SL04180	SCREW TE 6X 12 A2 UNI 5739	1,00			--
0023	VTRS00274	SL06064	WASHER NYLON 66 D.8,4-17-2 UNI	1,00			--
0024	MLML31130	SL13037	SPRING D. 17.5 X110 N38	1,00			--
0025	VTVR35749	SL20047	HANDWHEEL M 6MAX110 D.35	1,00			--
0026	MLML00303		SPRING REGISTRAZIONE FLAP	1,00			--
0027	LAFN07727		ARM -	1,00			--
0028	LAFN06389		ARM PARALLELOGRAMMA	1,00			--
0029	VTVT13937	11051230	SCREW TE M 8X 30 INX UNI 5739	1,00			--
0030	VTRS15978		WASHER D.12X24 UNI 6592 INX	2,00			--
0031	VTDD01694	SL05074	NUT M6 INOX	1,00			--
0032	VTRS13947	75373	WASHER D. 8 INX UNI 6592	1,00			--
0033	MPVR05186		COVER -	1,00			--
0034	LAFN07650		BRACKET -	1,00			--
0035	VTDD00176	SL05092	NUT M.12 INOX A2 BASSO AUTOB.	1,00			--
0036	VTRS13946	SL06025	WASHER D. 8 X24 INX UNI 6593	6,00			--
0040	VTDD01694	SL05074	NUT M6 INOX	5,00			--
0041	VTRS00245	SL06022	WASHER D.6 UNI 6592 INOX	1,00			--
0042	VTVT00429		SCREW TE M 8X 40 INX UNI 5737	1,00			--
0043	VTVT15371	71051247	SCREW TE M 8X45 INOX A2 UNI	1,00			--
0044	MPVR05134		GASKET D.60 FORO D.12 SP.2	1,00			--
0045	VTRS00245	SL06022	WASHER D.6 UNI 6592 INOX	1,00			--
0046	VTDD15521	05518	NUT M 8 INX A2 UNI 5588	2,00			--





Ref. K	Part n.	Customer part n.	Description	Quantity	Validity		Price
					From	To	
0047	VTVT00410	SL04127	SCREW TE M8x35 UNI5739 INOX	1,00			--
0050	VTRS09142	1105328	WASHER UNI 6593 12X36X2,5	1,00			--
0051	LAFN35747	SL07199	SPRING SUPPORT LAV. E/B 450	1,00			--
0052	MPVR35582	SL03122	RUBBER LAV.	1,00			--
0053	VTDD01695	SL05039	NUT M 8 INX	1,00			--
0054	MLML00338		SPRING -	1,00			--
0055	VTRS13945	SL06039	WASHER D. 6X18 INX UNI 6593	1,00			--
0056	VTDD01694	SL05074	NUT M6 INOX	1,00			--
0057	VTDD00053	75386	NUT M6 INOX UNI5589	2,00			--
0058	LAFN09231		BRACKET M6X11X29	1,00			--
0060	VTVT01008		SCREW 6X110	1,00			--
0061	VTVT01009		SCREW 8X60	1,00			--
0062	MFVR00227		SUPPORT SQUEEGEE	1,00			--
0063	VTRS00274	SL06064	WASHER NYLON 66 D.8,4-17-2 UNI	1,00			--
0064	MPVR06069		WASHER 15X40	1,00			--
0065	VTRS09142	1105328	WASHER UNI 6593 12X36X2,5	1,00			--
0066	VTRS15146	05519	WASHER D. 8 INX GRW UNI 1751	1,00			--