

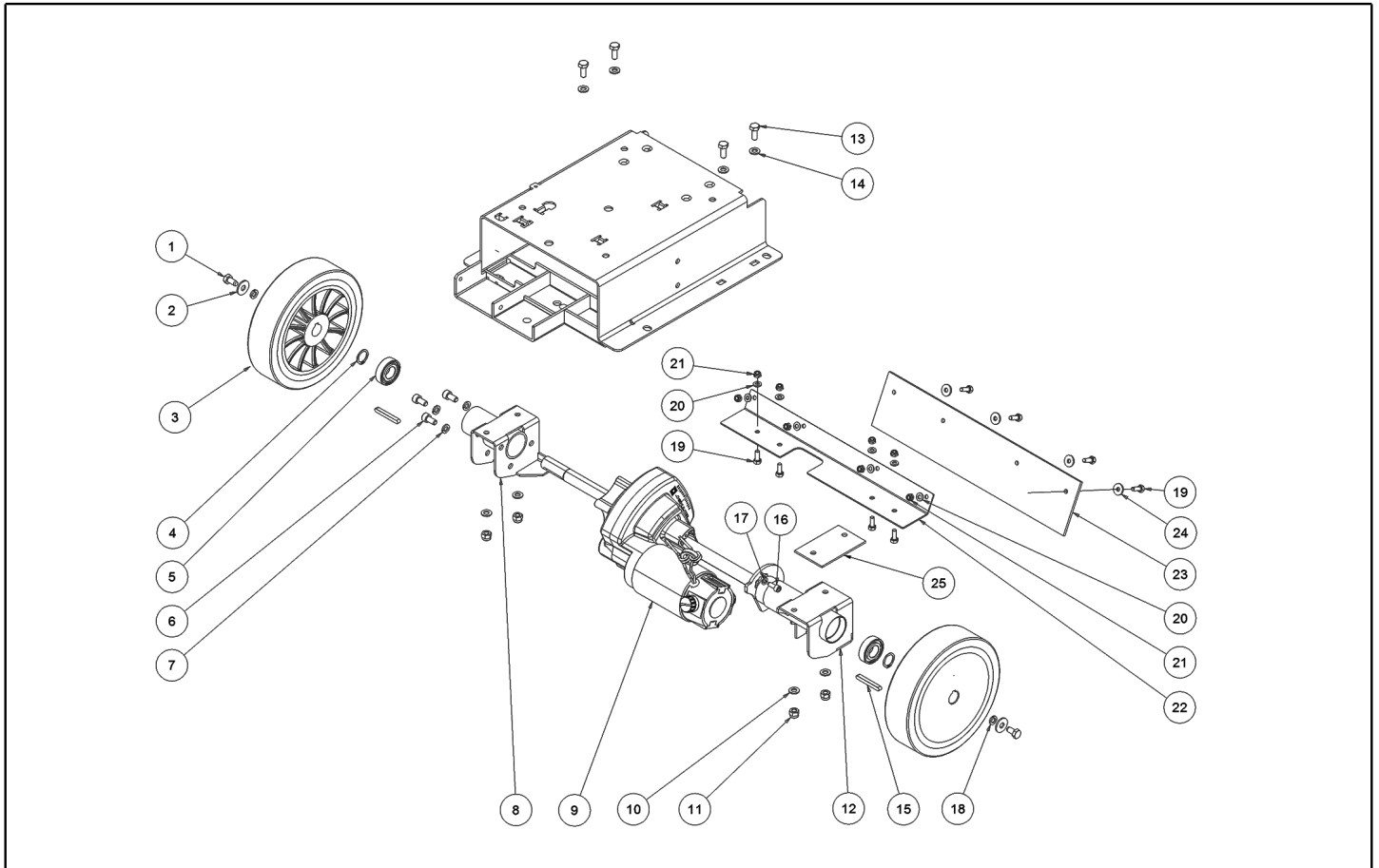


IPC

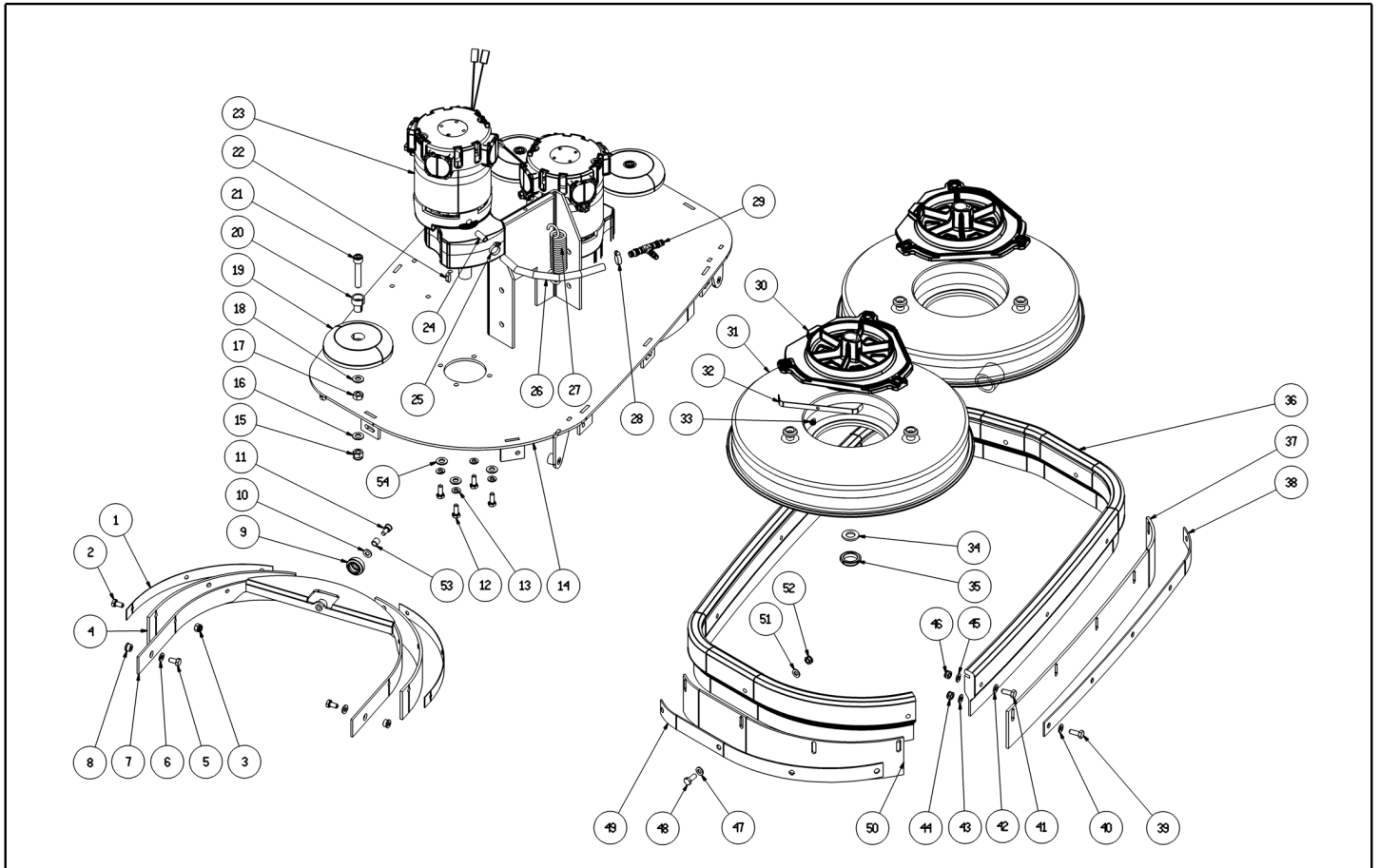
Spare parts list

Ref: LPTB02705

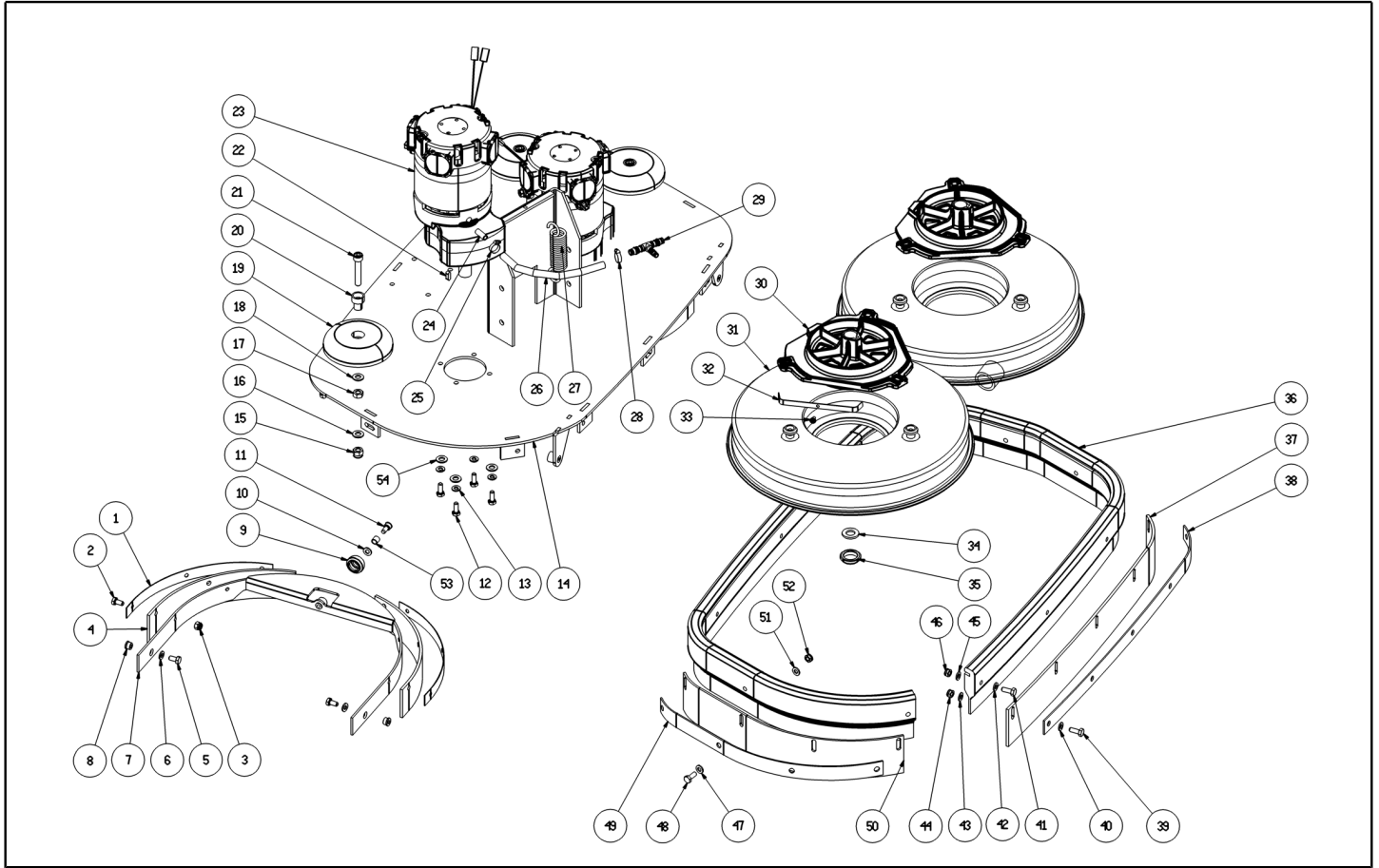
Model: FLOOR WASHER CT70 BT70 ECS+CB GR/VE



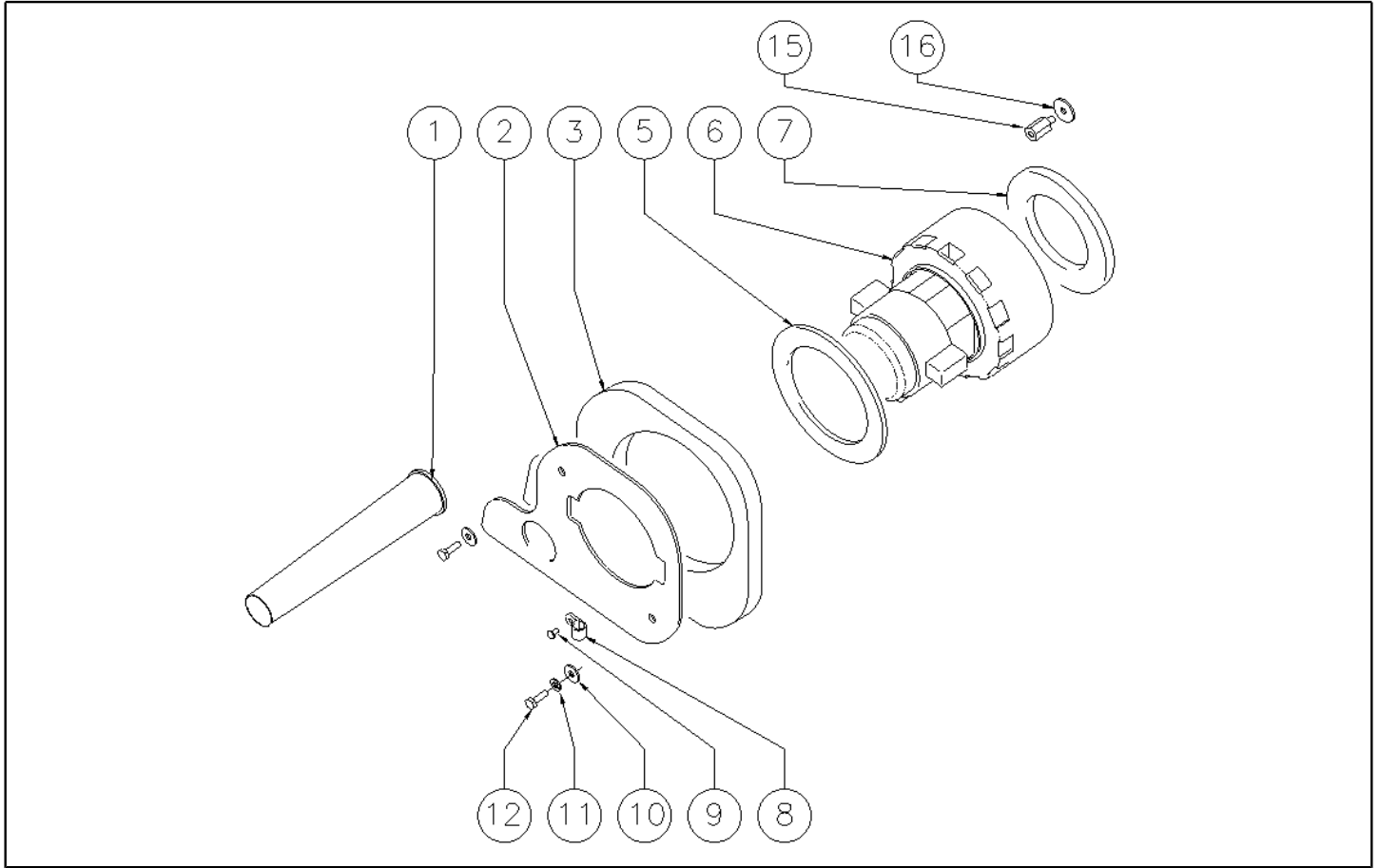
Ref. K	Part n.	Customer part n.	Description	Quantity	Validity		Price
					From	To	
0001	VTVT15916	SL04203	SCREW TE M 8X 16 UNI 5739 A2	2,00			--
0002	VTRS13946	SL06025	WASHER D. 8 X24 INX UNI 6593	2,00			--
0003	RTRT00524		WHEEL -	2,00		17/05/2010	--
0003	RTRT00529		WHEEL D200	2,00	18/05/2010	17/06/2012	--
0003	RTRT00546		WHEEL D.200	2,00	18/06/2012		--
0004	VTAE06193	RP06193	CIRCLIP D. 20 UNI 7435	2,00			--
0005	CUVR19846	70039	BALL BEARING 6004 2RS1	2,00		21/09/2011	--
0005	CUVR00083	SL12001	BEARING 6004 2RS H SKF	2,00	22/09/2011	07/04/2013	--
0005	CUVR00190		BEARING 6004	2,00	08/04/2013		--
0006	VTVT00876	SL04397	SCREW TCEI M.8-16	3,00			--
0007	VTRS15146	05519	WASHER D. 8 INX GRW UNI 1751	3,00			--
0008	LAFN07811		SUPPORT -	1,00			--
0009	MOCC00373		MOTOR -	1,00		13/10/2010	--
0009	MOCC00022	1380116	CARBON X MOT.COD.MOCC86902	2,00			--
0009	MOCC00395		MOTOR TRACTION 24V 200W 150G	1,00	14/10/2010		--
0010	VTRS13947	75373	WASHER D. 8 INX UNI 6592	4,00			--
0011	VTDD01695	SL05039	NUT M 8 INX	4,00			--
0012	LAFN07813		SUPPORT -	1,00			--
0013	VTVT15916	SL04203	SCREW TE M 8X 16 UNI 5739 A2	4,00			--
0014	VTRS13947	75373	WASHER D. 8 INX UNI 6592	4,00			--
0015	VTVR33668	SL11105	KEY 6x 6x40 UNI 6604A	2,00		17/06/2012	--
0015	VTVR00566		KEY 6X10X40	2,00	18/06/2012		--
0016	VTVT00717	SL04172	SCREW TCEI M. 6-16	2,00			--
0017	VTRS15144	11051232	WASHER D. 6 INX GRW UNI 1751	2,00			--
0018	VTRS15144	11051232	WASHER D. 6 INX GRW UNI 1751	2,00			--
0019	VTVT15143	SL04135	SCREW TE 6X16 UNI5739	8,00	23/07/2012		--
0020	VTRS00245	SL06022	WASHER D.6 UNI 6592 INOX	8,00	23/07/2012		--
0021	VTDD01694	SL05074	NUT M6 INOX	8,00	23/07/2012		--
0022	LAFN07951		BRACKET CT40-90	1,00	23/07/2012		--
0023	MPVR06230		FLAP CT40 CT70-90	1,00	23/07/2012	17/03/2014	--
0023	MPVR06966		FLAP -	1,00	18/03/2014		--
0024	VTRS13945	SL06039	WASHER D. 6X18 INX UNI 6593	4,00	23/07/2012		--
0025	MPVR10764		PROTECTION .	1,00	13/06/2016		--



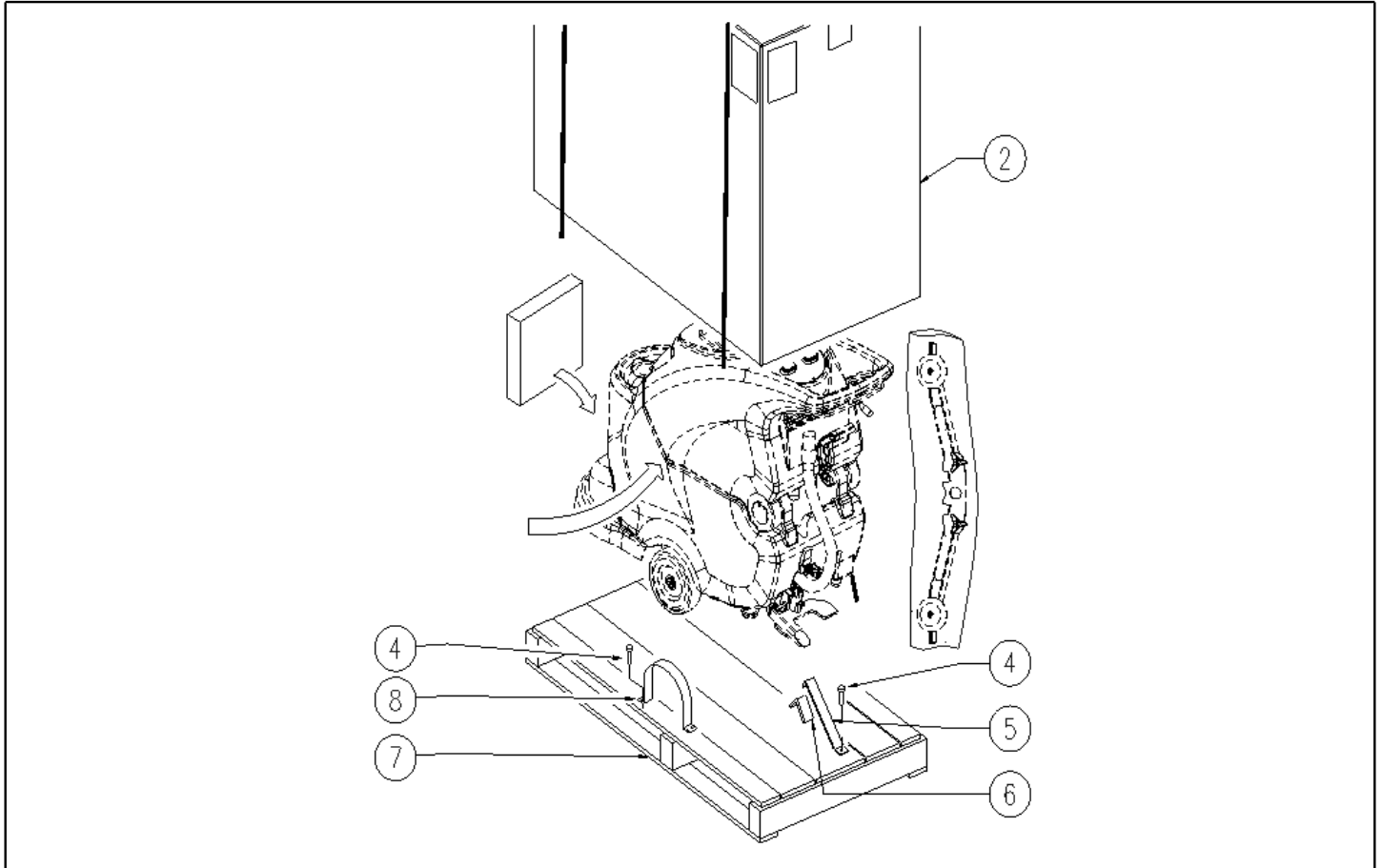
Ref. K	Part n.	Customer part n.	Description	Quantity	Validity		Price
					From	To	
0001	LAFN51011	SL39412	SHEET METAL PA. FISSA GOMMA CENTR	4,00			--
0002	VTVT07725	SL04152	SCREW TE 5X16 UNI5739 INX	12,00			--
0003	VTDD01693	SL05087	NUT M 5 INX	12,00			--
0004	MPVR02829	SL03617	FLAP CENTRAGGIO SPAZZOLE P185	4,00			--
0005	VTVT01300		SCREW TE M5X12 INOX	4,00			--
0006	VTRS13750	SL06038	WASHER D. 5X14 INX	4,00			--
0007	LAFN51023	SL39424	ASSEMBLED CENTR.SPAZ.70	2,00			--
0008	CUVR00140	SL12084	BUSHING DI CENTRAGGIO SPAZZOLE	4,00			--
0009	CUVR00184		BEARING -	2,00			--
0010	VTRS00245	SL06022	WASHER D.6 UNI 6592 INOX	2,00			--
0011	VTVT00717	SL04172	SCREW TCEI M. 6-16	2,00			--
0012	VTVT15906	SL04180	SCREW TE 6X 12 A2 UNI 5739	8,00			--
0013	VTRS15144	11051232	WASHER D. 6 INX GRW UNI 1751	8,00			--
0014	LAFN07829		PLATE -	1,00			--
0015	VTDD01695	SL05039	NUT M 8 INX	3,00			--
0016	VTRS13947	75373	WASHER D. 8 INX UNI 6592	3,00			--
0017	VTDD15521	05518	NUT M 8 INX A2 UNI 5588	3,00			--
0018	VTRS13947	75373	WASHER D. 8 INX UNI 6592	3,00			--
0019	MPVR05290		ROLLER PARACOLPI	3,00			--
0020	LAFN03915	SL07390	BUSHING NUOVO RUOTINO STRONG	3,00			--
0021	VTVT00775	SL04264	SCREW TCEI M 8X40 ZC.BK UNI5931	3,00			--
0022	VTVR28706	1105472	KEY UNI 6604 6X6X20	2,00			--
0023	MOCC00382		MOTOR BRUSH 24V 450W CT70 ECS	2,00			--
0023	MEVR01669		CARBON X MOT.COD.MOCC00298	1,00			--
0024	LAFN07627		BUSHING -	2,00			--
0025	FSVR00087	SL14021	CLAMP A COLLARE	2,00			--
0026	TBBP00003	1270005	TUBE CRISTALLO 6X9	0,04			--
0027	MLML00241	SL13146	SPRING TESTATA SPAZZOLA P185	1,00			--
0028	FSVR00052	75241	CLAMP 2,5X100	2,00			--
0029	RQVR01711		CONNECTOR T PORTAG.8/10	1,00			--
0030	LAFN09199		DRIVE DISK -	2,00			--
0031	SPPV01268		DRIVE DISK MICROFIBRE	2,00			--
0032	MLML00231	SL13136	SPRING ANTISGANCIO 85 X FLANGIA	2,00			--
0033	VTVT21887	SL04079	SCREW TCB-TC 4X10 8112	2,00			--
0034	VTRS00571		WASHER -	2,00			--
0035	VTVR00328		RING NUT -	2,00			--
0036	MPVR05770		BUMPER CT70	1,00			--
0037	MPVR05763		FLAP CT70	1,00			--
0038	MPVR05767		PLATE CT70	1,00			--
0039	VTVT13939	11051239	SCREW TE 6X20 UNI5739 INX	5,00			--
0040	VTRS13945	SL06039	WASHER D. 6X18 INX UNI 6593	5,00			--
0041	VTVT00392	SL04198	SCREW M6x35 UNI5739 inox	1,00			--
0042	VTRS13945	SL06039	WASHER D. 6X18 INX UNI 6593	1,00			--
0043	VTRS13945	SL06039	WASHER D. 6X18 INX UNI 6593	5,00			--



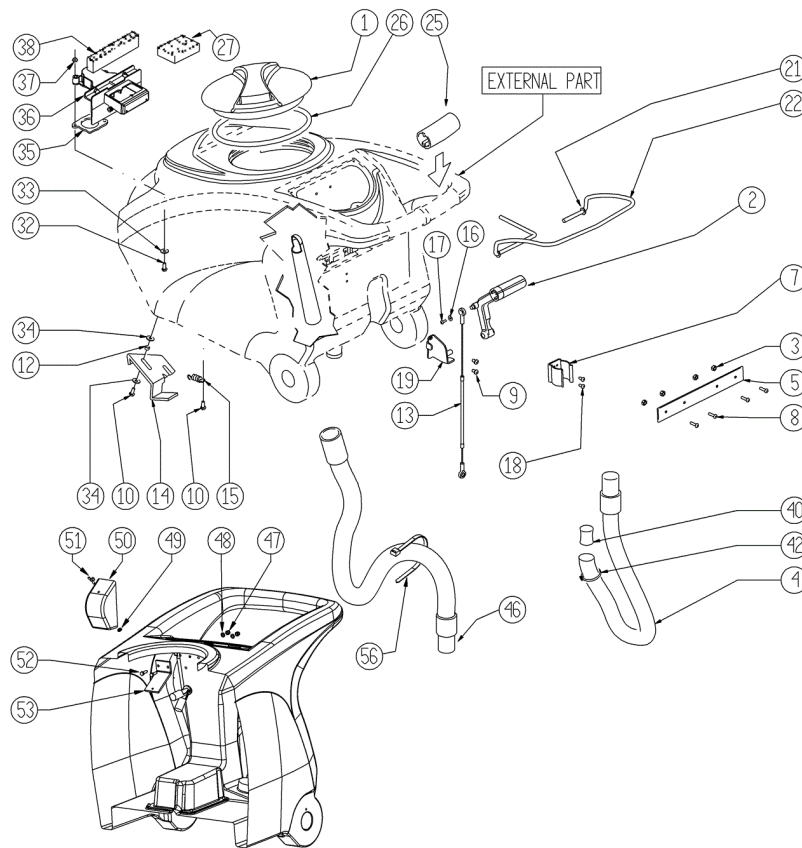
Ref. K	Part n.	Customer part n.	Description	Quantity	Validity		Price
					From	To	
0044	VTDD01694	SL05074	NUT M6 INOX	5,00			--
0045	VTRS13945	SL06039	WASHER D. 6X18 INX UNI 6593	1,00			--
0046	VTDD01694	SL05074	NUT M6 INOX	1,00			--
0047	VTRS13945	SL06039	WASHER D. 6X18 INX UNI 6593	10,00			--
0048	VTVT15142	SL04087	SCREW TE M 6x45 INOX	10,00			--
0049	MPVR05766		PLATE CT70	1,00			--
0050	MPVR05762		FLAP CT70	1,00			--
0051	VTRS13945	SL06039	WASHER D. 6X18 INX UNI 6593	10,00			--
0052	VTDD01694	SL05074	NUT M6 INOX	10,00			--
0053	LAFN03840	SL07318	BUSHING	2,00			--
0054	VTRS00245	SL06022	WASHER D.6 UNI 6592 INOX	8,00			--



Ref. K	Part n.	Customer part n.	Description	Quantity	Validity		Price
					From	To	
0001	MPVR05259		TUBE SCARICO	1,00			--
0002	LAFN06363		FLANGE ASPIRATORE	1,00			--
0003	MPVR05103		SOUND-PROOFING ASPIRATORE	1,00			--
0005	MPVR04724		FLANGE IN NYLON	1,00			--
0006	MOCC00342		VACUUM CLEANER 24V	1,00			--
0007	GUGO00272	SL03648	GASKET VACUUM MOTOR CT	1,00			--
0008	FSVR00099	SL14150	CLAMP FERMATUBO	1,00			--
0009	VTVT00813	SL04319	SCREW M 4X 8 TCB-TC UNI 8112	1,00			--
0010	VTRS13945	SL06039	WASHER D. 6X18 INX UNI 6593	2,00			--
0011	VTRS15144	11051232	WASHER D. 6 INX GRW UNI 1751	2,00			--
0012	VTVT15143	SL04135	SCREW TE 6X16 UNI5739	2,00			--
0015	LAFN07856		SPACER -	2,00			--
0016	VTRS13945	SL06039	WASHER D. 6X18 INX UNI 6593	2,00			--



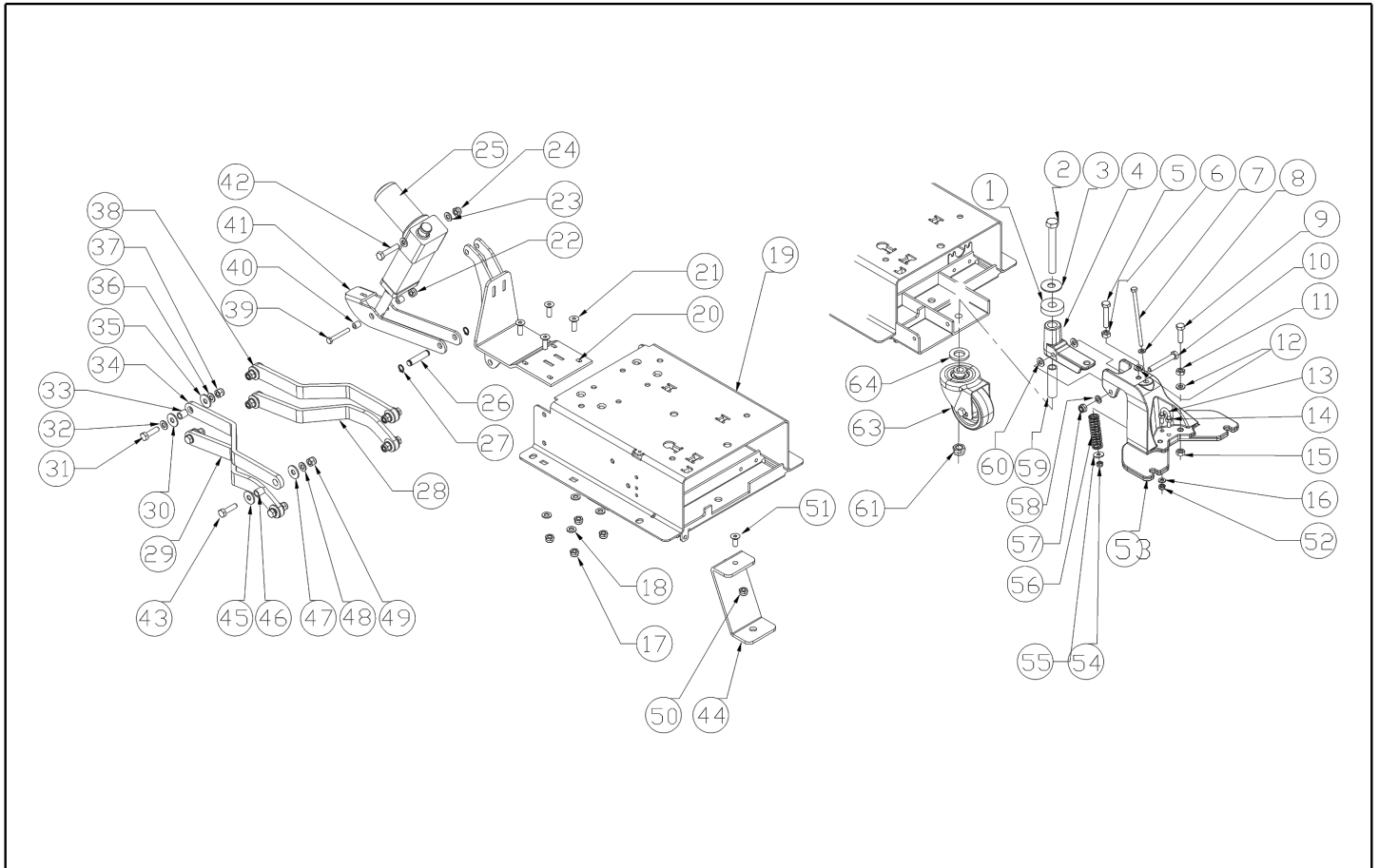
Ref. K	Part n.	Customer part n.	Description	Quantity	Validity		Price
					From	To	
0002	MICT00197		BOX	1,00			--
0004	VTVT00043	1105360	SCREW AUTOF.LEGNO 4,5X25 TS BR	9,00			--
0005	MIVR00137		CLAMP RUOTA POSTERIORE X IMBAL.	1,00			--
0006	GUGO00009	1320066	MOUSSE	0,05			--
0007	MIBA00011	6910030	PALLET	1,00			--
0008	MIVR00135		CLAMP RUOTA POSTERIORE X IMBAL.	2,00			--



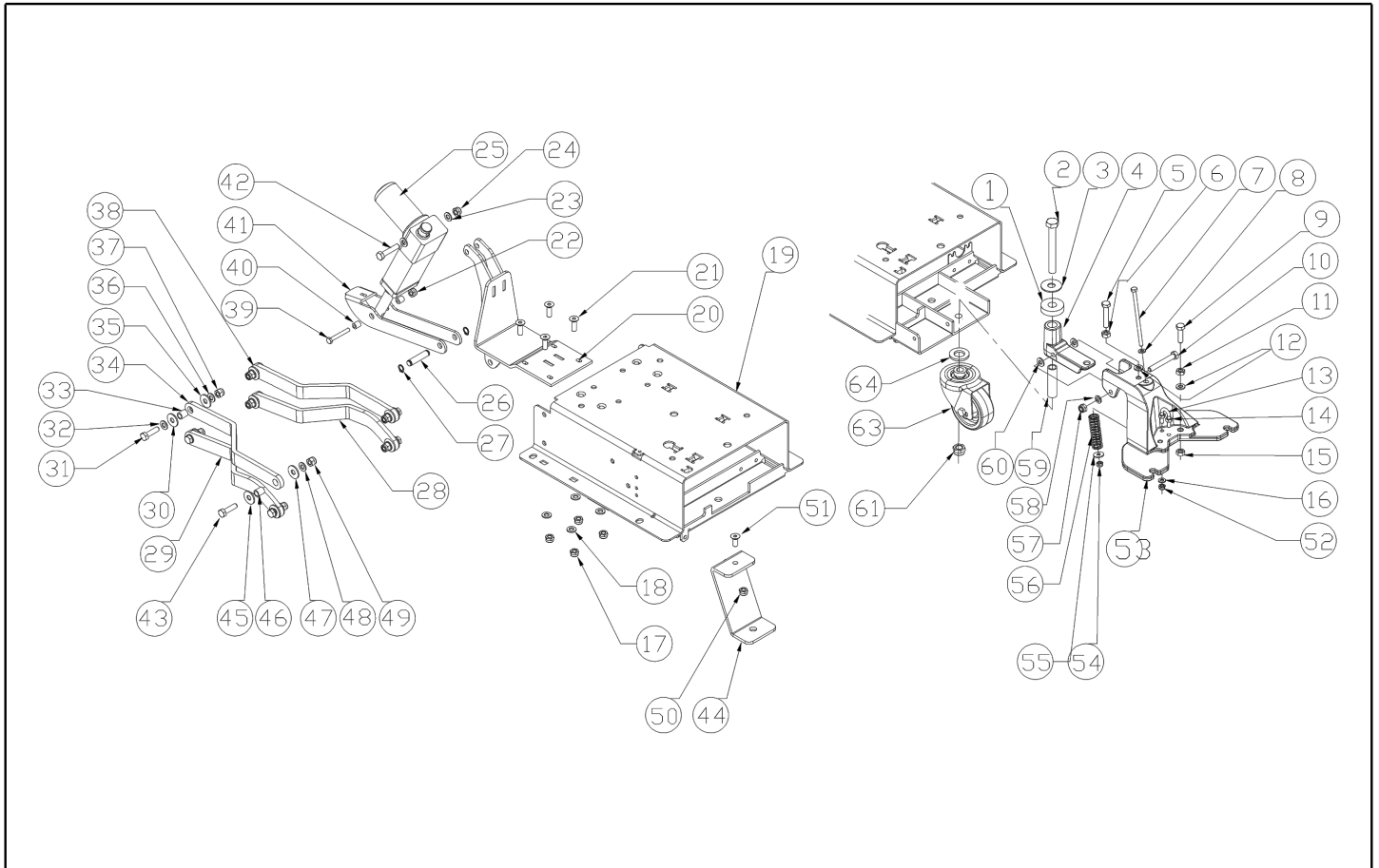
Ref. K	Part n.	Customer part n.	Description	Quantity	Validity		Price
					From	To	
0001	MPVR04051	SL17611	TANK CAP	1,00			--
0002	MPVR49942	SL17614	LEVER SQUEEGEE LIFTING PP	1,00			--
0003	VTDD15518	75375	NUT M 6 INX	4,00			--
0004	TBFX00358		TUBE PU CT40/70/90	1,00			--
0005	LAFN05865	SL39336	PLATE COPRILEVA CONSENSO	1,00			--
0007	MPVR46988	SL13118	CLIP LAV. SHK	1,00			--
0008	VTVT00651	SL04055	SCREW TBEI M. 5x16 INOX	4,00			--
0009	VTVT15906	SL04180	SCREW TE 6X 12 A2 UNI 5739	2,00			--
0010	VTVT15143	SL04135	SCREW TE 6X16 UNI5739	3,00			--
0012	LAFN03626	SL07047	SPACER	2,00			--
0013	CMCV00464		CABLE SOLLEVAMENTO TERGI	1,00			--
0014	LAFN06849		HANDLE CT 70	1,00			--
0015	MLML00203	SL13098	SPRING	1,00			--
0016	VTRS00251	SL06031	WASHER 4-16 INOX A2	1,00			--
0017	VTVT00800	SL04303	SCREW TC 4X12 ZN	1,00			--
0018	VTVT21096	SL04032	SCREW TE M 4X 10 INX	2,00			--
0019	LAFN05870	SL39341	BRACKET LEVA SOLLEVAM. SQUEEGEE	1,00		06/09/2016	--
0019	LAFN11019		BRACKET -	1,00	07/09/2016		--
0021	VTRS13947	75373	WASHER D. 8 INX UNI 6592	2,00			--
0022	LAFN05861	SL39332	LEVER CONSENSO SPAZZOLE	1,00		12/06/2014	--
0022	LAFN09339		LEVER -	1,00	13/06/2014		--
0025	MPVR05215		KNOB -	2,00			--
0026	GUGO00263	SL03612	GASKET CIRCOLARE TAPPO	1,00			--
0027	FTDP00133	SL03647	FILTER VACUUM MOTOR	1,00			--
0032	VTVT01139		SCREW TE M.4-25	2,00			--
0033	VTRS00515	SL06032	WASHER D. 4 INX	2,00			--
0034	VTRS00274	SL06064	WASHER NYLON 66 D.8,4-17-2 UNI	4,00			--
0035	GUGO00417		GASKET SCATOLA ASPIRAZIONE	1,00			--
0036	MPVR05482		BOX -	1,00			--
0037	VTDD15925	SL05078	NUT M 4 INX	2,00			--
0038	GUGO00418		GASKET CONDOTTO ASPIRAZIONE	1,00			--
0040	GUGO00245	SL03519	GASKET	1,00			--
0042	FSVR43136	SL14063	CLAMP D. 35-40 DF.	1,00			--
0046	KTRI04696		KIT REPLACEMENT TBFX00353	1,00			--
0047	VTDD01693	SL05087	NUT M 5 INX	2,00			--
0048	VTRS00516	SL06034	WASHER D. 5 INX	2,00			--
0049	VTVR01038		WASHER -	1,00			--
0050	MPVR05596		PROTECTION -	1,00			--
0051	VTVT01150		SCREW 4x10	1,00			--
0052	VTVT07725	SL04152	SCREW TE 5X16 UNI5739 INX	2,00			--
0053	LAFN07631		BRACKET -	1,00			--
0056	FSVR00248		CLAMP -	1,00			--

Table: FRAME

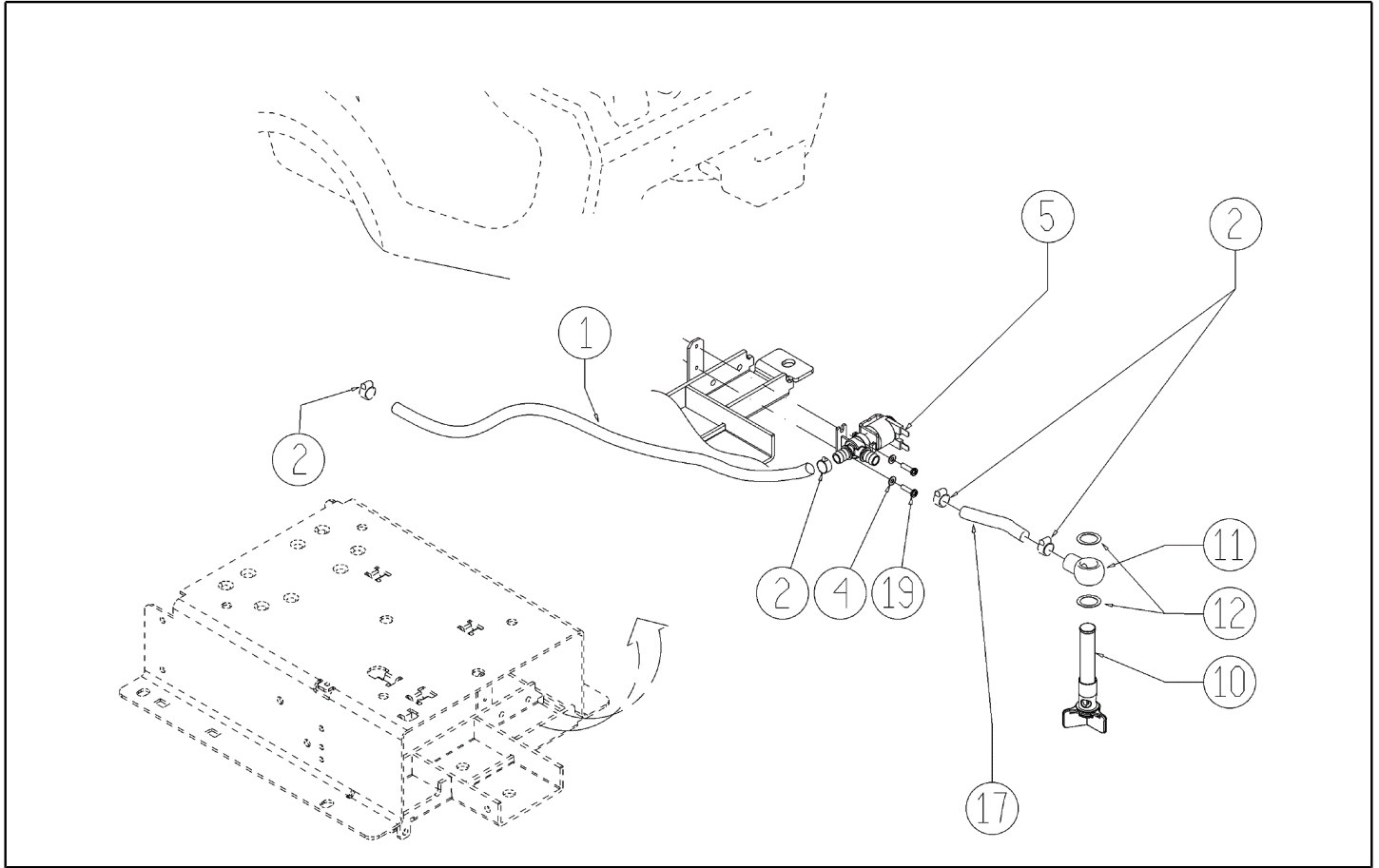
Progressive number: 1



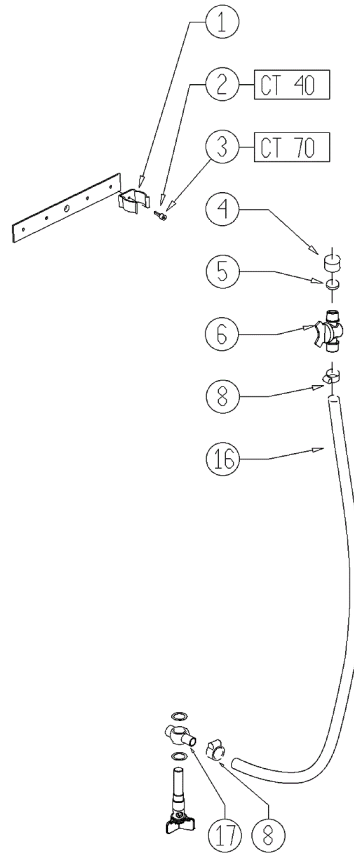
Ref. K	Part n.	Customer part n.	Description	Quantity	Validity		Price
					From	To	
0001	MPVR06069		WASHER 15X40	1,00			--
0002	VTVT00285	SL04151	SCREW TE M12X110	1,00			--
0003	VTRS09142	1105328	WASHER UNI 6593 12X36X2,5	1,00			--
0004	MFVR00226		SUPPORT SQUEEGEE	1,00			--
0005	VTVT15371	71051247	SCREW TE M 8X45 INOX A2 UNI	1,00			--
0006	VTDD15521	05518	NUT M 8 INX A2 UNI 5588	1,00			--
0007	VTVT01008		SCREW 6X110	1,00			--
0008	VTRS00245	SL06022	WASHER D.6 UNI 6592 INOX	1,00			--
0009	VTVT13937	11051230	SCREW TE M 8X 30 INX UNI 5739	1,00			--
0010	VTVT01009		SCREW 8X60	1,00			--
0011	VTDD15521	05518	NUT M 8 INX A2 UNI 5588	1,00			--
0012	VTRS15146	05519	WASHER D. 8 INX GRW UNI 1751	1,00			--
0013	LAFN09231		BRACKET M6X11X29	1,00			--
0014	VTDD00053	75386	NUT M6 INOX UNI5589	1,00			--
0015	VTDD15521	05518	NUT M 8 INX A2 UNI 5588	1,00			--
0016	VTRS00245	SL06022	WASHER D.6 UNI 6592 INOX	1,00			--
0017	VTDD01695	SL05039	NUT M 8 INX	1,00			--
0018	VTRS13947	75373	WASHER D. 8 INX UNI 6592	4,00			--
0019	LAFN07606		BASE -	1,00			--
0020	LAFN07823		SUPPORT -	1,00			--
0021	VTVT01352		SCREW TSPEI M8X20	4,00			--
0022	VTDD01694	SL05074	NUT M6 INOX	1,00			--
0023	VTRS13947	75373	WASHER D. 8 INX UNI 6592	1,00			--
0024	VTDD01695	SL05039	NUT M 8 INX	1,00			--
0025	MOCC00383		ATUATOR CT70 ECS	1,00			--
0026	LAFN51065		PIN INFER.ATTUAT.TEST.	1,00			--
0027	VTAE13511	SL11014	CIRCLIP D. 10 UNI 7435	2,00			--
0028	LAFN07824		ARM -	1,00			--
0029	LAFN07825		ARM -	1,00			--
0030	VTRS15978		WASHER D.12X24 UNI 6592 INX	4,00			--
0031	VTVT13937	11051230	SCREW TE M 8X 30 INX UNI 5739	4,00			--
0032	VTRS13947	75373	WASHER D. 8 INX UNI 6592	4,00			--
0033	LAFN04151	SL07641	BUSHING X PARALLELOGRAMMA	4,00			--
0034	LAFN07827		ARM -	1,00			--
0035	VTRS15978		WASHER D.12X24 UNI 6592 INX	4,00			--
0036	VTRS13947	75373	WASHER D. 8 INX UNI 6592	4,00			--
0037	VTDD01695	SL05039	NUT M 8 INX	4,00			--
0038	LAFN07826		ARM -	1,00			--
0039	VTVT15142	SL04087	SCREW TE M 6x45 INOX	1,00			--
0040	LAFN04187	SL07679	SPACER PER RIDUTTORE	2,00			--
0041	LAFN07828		ARM -	1,00			--
0042	VTVT15371	71051247	SCREW TE M 8X45 INOX A2 UNI	1,00			--
0043	VTVT01688		SCREW TBEI M 8X 30 ISO 7380 IX	4,00			--
0044	LAFN06860		BRACKET CT70	1,00			--



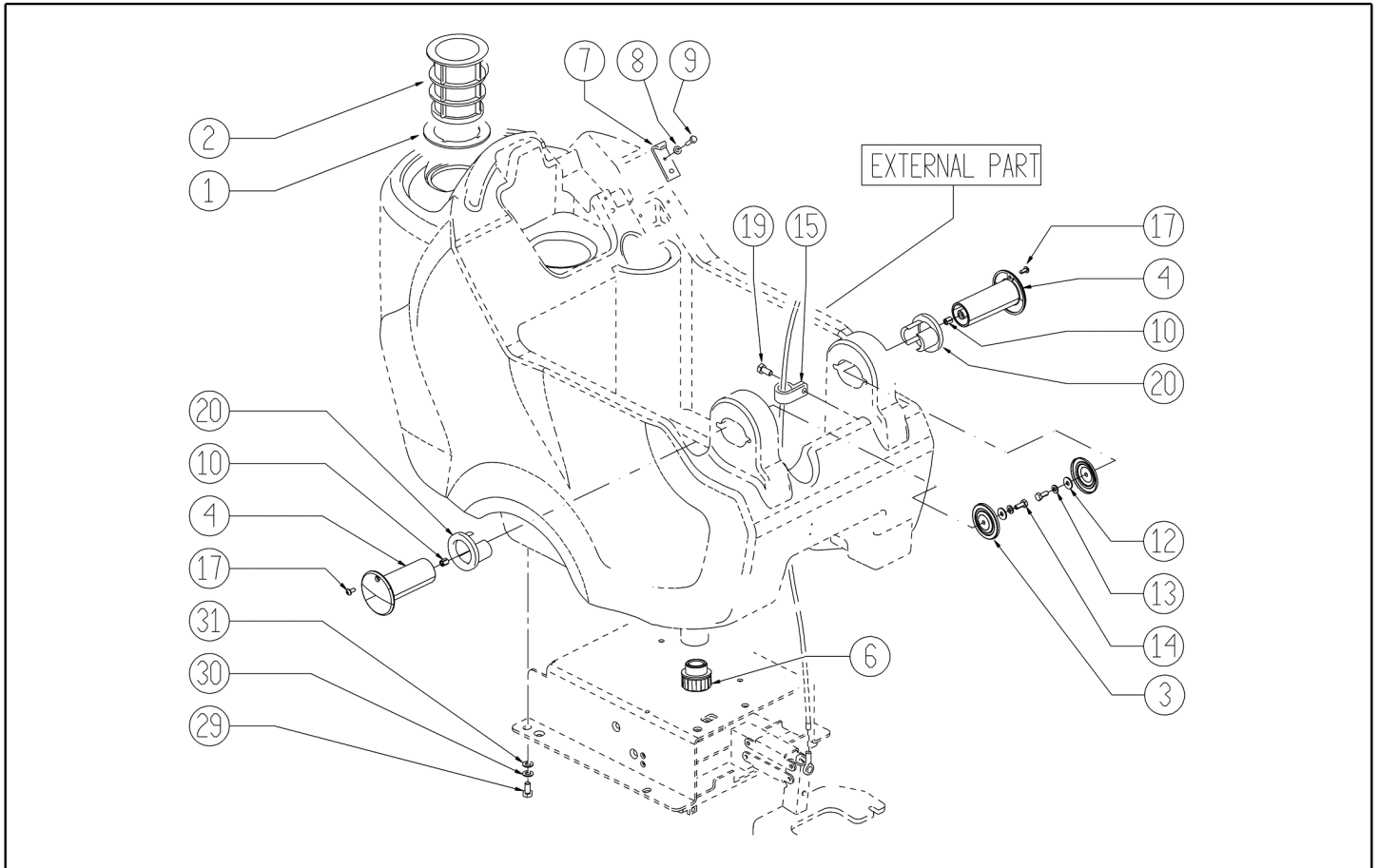
Ref. K	Part n.	Customer part n.	Description	Quantity	Validity		Price
					From	To	
0045	VTRS15978		WASHER D.12X24 UNI 6592 INX	4,00			--
0046	LAFN04151	SL07641	BUSHING X PARALLELOGRAMMA	4,00			--
0047	VTRS15978		WASHER D.12X24 UNI 6592 INX	4,00			--
0048	VTRS13946	SL06025	WASHER D. 8 X24 INX UNI 6593	4,00			--
0049	VTDD01695	SL05039	NUT M 8 INX	4,00			--
0050	VTDD01695	SL05039	NUT M 8 INX	1,00			--
0051	VTVT00224	SL04294	SCREW	1,00			--
0052	VTDD01694	SL05074	NUT M6 INOX	1,00			--
0053	MFVR00227		SUPPORT SQUEEGEE	1,00			--
0054	VTDD01694	SL05074	NUT M6 INOX	1,00			--
0055	VTRS13945	SL06039	WASHER D. 6X18 INX UNI 6593	1,00			--
0056	MLML00338		SPRING -	1,00			--
0057	VTDD01695	SL05039	NUT M 8 INX	1,00			--
0058	VTRS13947	75373	WASHER D. 8 INX UNI 6592	1,00			--
0059	LAFN09006		PIN -	1,00			--
0060	VTRS00274	SL06064	WASHER NYLON 66 D.8,4-17-2 UNI	1,00			--
0061	VTDD00176	SL05092	NUT M.12 INOX A2 BASSO AUTOB.	1,00			--
0063	RTRT00395		WHEEL CASTOR D.80X25 PU	1,00			--
0064	VTRS09142	1105328	WASHER UNI 6593 12X36X2,5	1,00			--



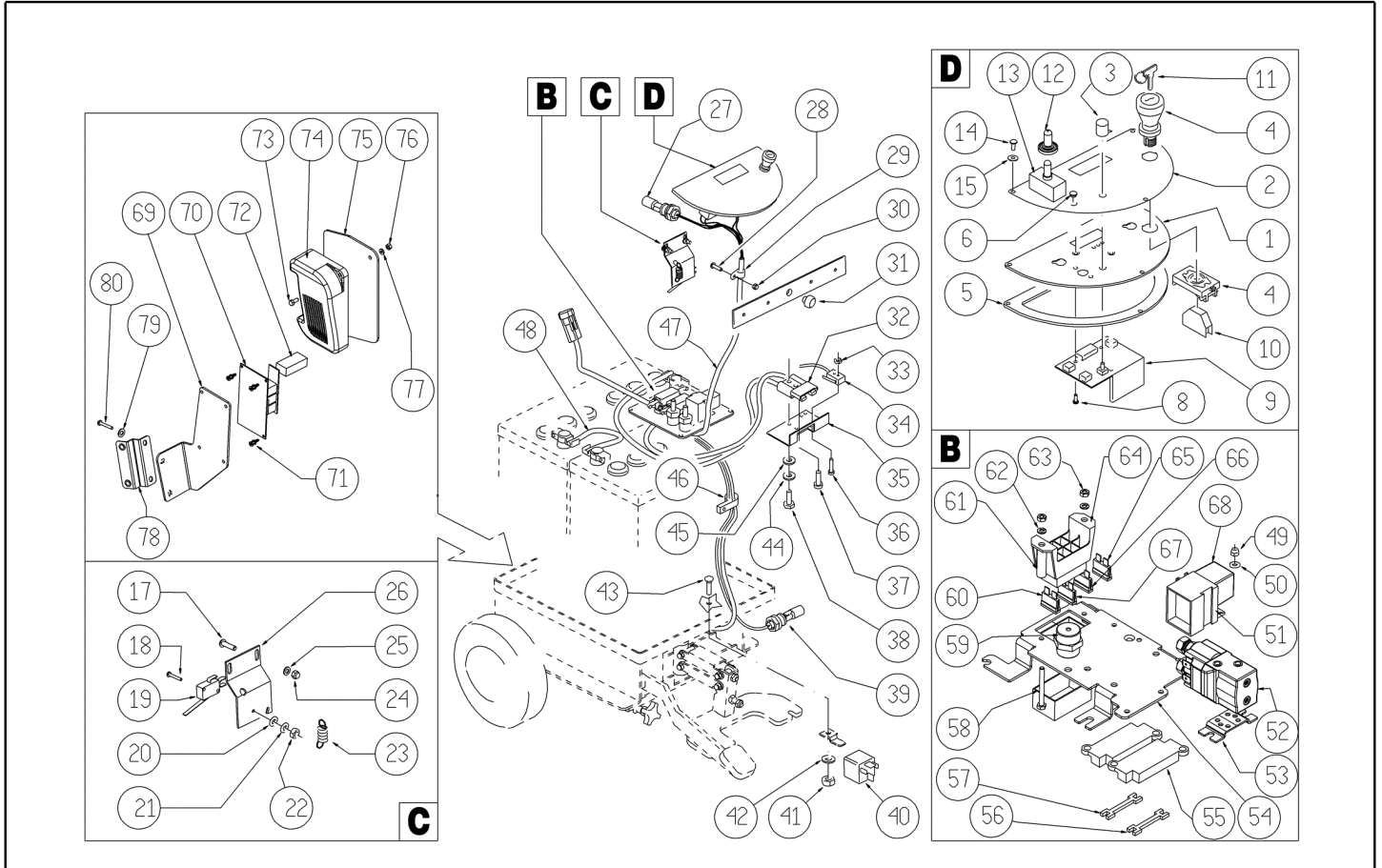
Ref. K	Part n.	Customer part n.	Description	Quantity	Validity		Price
					From	To	
0001	TBFX48011	MP19205	TUBE FLEX D.12X3 ARMORV.PVC TR	0,71			--
0002	FSVR00428		CLAMP D. 12-20	4,00			--
0004	VTRS00515	SL06032	WASHER D. 4 INX	2,00			--
0005	MEEV00036		SOLENOID VALVE HOLE 8mm CLEANTIME	1,00			--
0010	MPVR05221		FILTER COMPLETO	1,00		14/02/2013	--
0010	MPVR06303		FILTER CT40-70-90	1,00	15/02/2013		--
0011	LAFN07783		CONNECTOR -	1,00			--
0012	VTRS00567		WASHER 1/2	2,00			--
0017	TBFX48011	MP19205	TUBE FLEX D.12X3 ARMORV.PVC TR	0,17			--
0019	VTVT01158		SCREW M4x16	2,00			--



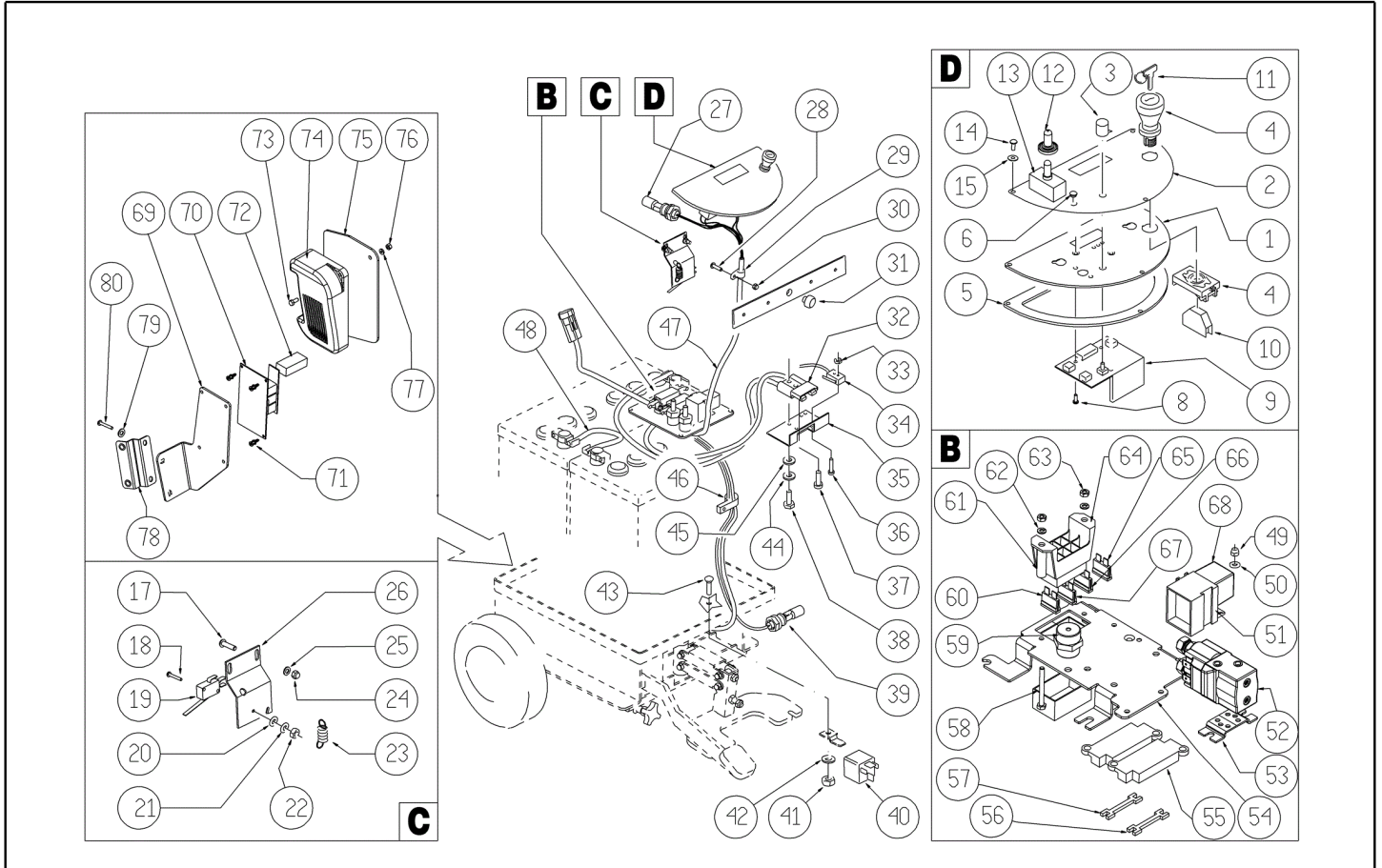
Ref. K	Part n.	Customer part n.	Description	Quantity	Validity		Price
					From	To	
0001	MPVR05280		CLIP M25	1,00			--
0002	VTVT19236	1105777	SCREW TCCE UNI 5931 5X20 ZB	1,00			--
0003	VTVT01327		SCREW TCEI 5X25 UNI5931	1,00			--
0004	RCVR00353	SL14382	CAP 1/2"G X ELETTR. ACL	1,00			--
0005	GUGO00268	SL03630	GASKET D.21 SP.3 GOMMA	1,00			--
0006	RCVR00590		CONNECTOR 1/2 M RESCA 15	1,00			--
0008	FSVR00428		CLAMP D. 12-20	4,00			--
0016	TBBP00435		TUBE D.16	1,00			--
0017	RCVR00767		CONNECTOR -	1,00			--



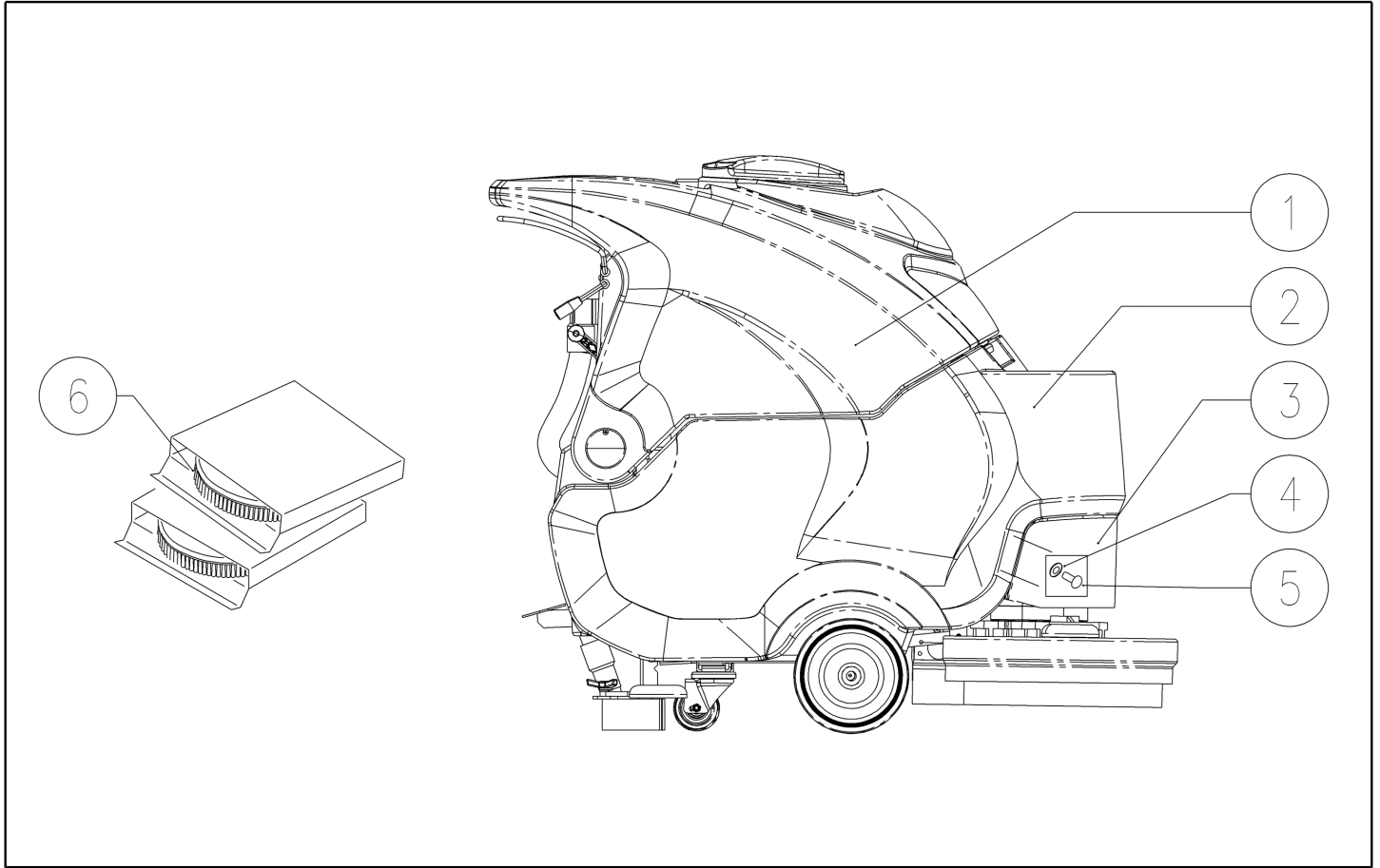
Ref. K	Part n.	Customer part n.	Description	Quantity	Validity		Price
					From	To	
0001	GUGO00267	SL03627	GASKET FILTRO	1,00			--
0002	FTAC00040		FILTER -	1,00			--
0003	LAFN07800		SHEET METAL PA. -	2,00			--
0004	MPVR48695	SL17493-1	PIN SHK.BK	2,00		10/09/2014	--
0004	MPVR06407		PIN -	2,00	11/09/2014		--
0006	MPVR08003		CAP	1,00		13/12/2016	--
0006	MPVR10774		CAP 1/2"	1,00	14/12/2016		--
0007	LAFN06489		PLATE	1,00			--
0008	VTRS15144	11051232	WASHER D. 6 INX GRW UNI 1751	1,00			--
0009	VTVT01303		SCREW TE M6-10 INOX	1,00			--
0010	VTVR48693	1105901	INSERT FILETTATO M6	2,00			--
0012	VTRS13945	SL06039	WASHER D. 6X18 INX UNI 6593	2,00			--
0013	VTRS15144	11051232	WASHER D. 6 INX GRW UNI 1751	2,00			--
0014	VTVT15143	SL04135	SCREW TE 6X16 UNI5739	2,00			--
0015	MPVR02933	SL14146	DUCT LOCK D.9,5	2,00			--
0017	VTVT48694	SL04371	SCREW TCB TC 5 X12 UNI 9707 TZ	2,00		10/09/2014	--
0019	VTVT15961	SL04108	SCREW M 5X 16 TCB TC UNI 7687	1,00			--
0020	PMVR02028		RUBBER GRUPPO MONTAGGIO	2,00			--
0029	VTVT15916	SL04203	SCREW TE M 8X 16 UNI 5739 A2	4,00			--
0030	VTRS00269	SL06057	WASHER D. 8 DIN 6798-A INX A2	4,00			--
0031	VTRS13947	75373	WASHER D. 8 INX UNI 6592	4,00			--



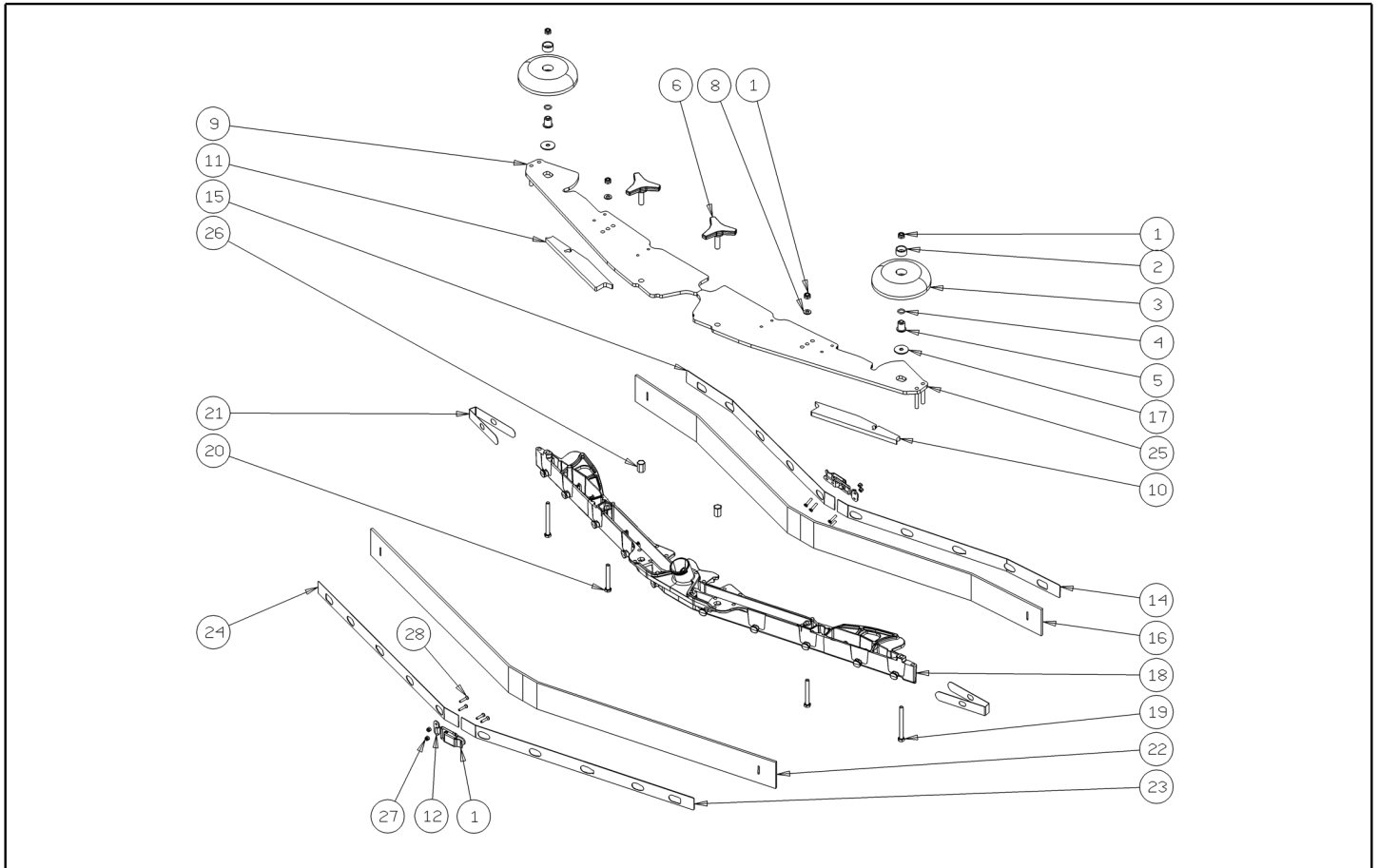
Ref. K	Part n.	Customer part n.	Description	Quantity	Validity		Price
					From	To	
0001	LAFN08989		SUPPORT -	1,00			--
0002	ETET01719		LABEL -	1,00			--
0003	MEVR01666		KNOB POTENTIOMETER	1,00			--
0004	MECI00402		BUTTON A FUNGO	1,00			--
0005	GUGO38417		GASKET PANN.COM.EXTREME	1,00			--
0006	RCVR00164	70216		1,00			--
0008	VTVT00722	SL04179	SCREW	3,00			--
0009	MECE00517		Circuit Board Scrubber Mach	1,00		18/09/2013	--
0009	MECB01332		BOARD BT CT70 ECS - NEW	1,00	19/09/2013		--
0010	MECI00403		CONTACT -	1,00			--
0011	CHVR00051		Fixing Lever	1,00			--
0012	MEVR01975		RUBBER DEVIATORE	1,00			--
0013	MECI34120		SWITCH T 115-EA	1,00			--
0014	VTVT37012	SL04289	SCREW M 4X 10 TCB-TC INX	3,00			--
0015	VTRS00515	SL06032	WASHER D. 4 INX	3,00			--
0017	VTVT07725	SL04152	SCREW TE 5X16 UNI5739 INX	2,00			--
0018	VTVT01316		SCREW TC+ M3-16	2,00			--
0019	MECI36393	SL23109	MICROSWITCH TRZ. DRW	1,00			--
0020	VTRS21116	SL06009	WASHER D. 3 INX	2,00			--
0021	VTRS00268	SL06056	WASHER D.3	2,00			--
0022	VTDD21115	SL05019	NUT M 3 INOX	2,00			--
0023	MLML34726	SL13013	SPRING TR E350 N	1,00		21/07/2014	--
0023	MLML00203	SL13098	SPRING	1,00	22/07/2014		--
0024	VTDD01693	SL05087	NUT M 5 INX	2,00			--
0025	VTRS00516	SL06034	WASHER D. 5 INX	2,00			--
0026	LAFN05904	SL39374	PLATE MICRO LEVA	1,00			--
0027	MECI00516		SENSOR DI LIVELLO ORIZZONTALE	1,00			--
0028	VTVT00704	SL04149	SCREW TE M 4X 16 UNI5739 INOX	1,00			--
0029	FSVR00099	SL14150	CLAMP FERMATUBO	2,00			--
0030	VTDD15925	SL05078	NUT M 4 INX	1,00			--
0031	MPVR00043	12602002	CAP CHIUS.FORO PORTAFUS.L 15	1,00			--
0032	MEVR01707		CONNECTOR -	1,00			--
0033	VTDD08634	SL05031	NUT M2	2,00			--
0034	MECI00334	SL53031-L	MICROSWITCH V4	1,00			--
0035	LAFN06409		SUPPORT -	1,00			--
0036	VTVT00671	SL04086	SCREW TC- M.2-16 OTTONE	2,00			--
0037	VTVT00872	SL04393	SCREW TSP+ 2.9X13 AUTOFIL. INOX	1,00			--
0038	VTVT00814	SL04320	SCREW TE M.4-25	2,00			--
0039	MECI00516		SENSOR DI LIVELLO ORIZZONTALE	1,00			--
0040	MECI00005	1180040	RELAY 24V 10/20A	1,00			--
0041	VTDD01694	SL05074	NUT M6 INOX	1,00			--
0042	VTRS00245	SL06022	WASHER D.6 UNI 6592 INOX	1,00			--
0043	VTVT01676		SCREW TSTC UNI 7688 M6X16	1,00			--
0044	VTRS15913	SL06107	WASHER D. 4 GROVER A2 UNI1751	2,00			--



Ref. K	Part n.	Customer part n.	Description	Quantity	Validity		Price
					From	To	
0045	VTRS00515	SL06032	WASHER D. 4 INX	2,00			--
0046	FSVR00099	SL14150	CLAMP FERMATUBO	1,00			--
0047	MECB01234		WIRING	1,00		18/09/2013	--
0047	MECB01345		WIRING CT70 ECS NEW	1,00	19/09/2013		--
0048	MEVR34820	SL23838	WIRING B 450 BT	1,00			--
0049	VTDD00147	SL05044	NUT M 4 INX U.5588	1,00			--
0050	VTRS13750	SL06038	WASHER D. 5X14 INX	1,00			--
0051	METT00053	SL23722	BLOCK PORTA RELE'	1,00			--
0052	METT00079		CONTACTOR E TL 10P 24V 100A	1,00			--
0053	LAFN07345		BRACKET TL10	1,00			--
0054	LAFN07460		SUPPORT -	1,00			--
0055	MEVR01332	SL23697	FUSE-HOLDER	2,00			--
0056	MEVR02887		FUSE 40A NST.	1,00			--
0057	MEVR00604	70338	FUSE	1,00			--
0058	VTVT00880	SL04402	SCREW TE 4X40	2,00			--
0059	MEVR44054	SL23842	INSULATOR M6 20-CH17	1,00			--
0060	MEVR01428	SL53040	FUSE A LAMA 2 A. UNIVAL	1,00			--
0061	LAFN06735		SPACER 6-8 H31.5	2,00			--
0062	VTRS15913	SL06107	WASHER D. 4 GROVER A2 UNI1751	2,00			--
0063	VTDD00147	SL05044	NUT M 4 INX U.5588	2,00			--
0064	MEVR00030	1380004	FUSE-HOLDER 4 VIE COPERCHIO TRAS.	1,00			--
0065	MEVR01428	SL53040	FUSE A LAMA 2 A. UNIVAL	1,00			--
0066	MEVR01132	SL23144	FUSE A LAMA 5 A.	1,00			--
0067	MEVR00039	1380017	FUSE LAMELLARE 20A	1,00			--
0068	MERL00006		SWITCH RELAY R502 024 H3M 1NO 80A	1,00			--
0069	LAFN07834		PLATE -	1,00			--
0070	MECE00609		BOARD CT110-MF	1,00			--
0071	MEVR01708		COLUMN -	4,00			--
0072	MECE00456		RELAY CT110	4,00			--
0073	VTVT00727	SL04189	SCREW TE M. 4-20	2,00			--
0074	MECE00511		BOARD CT110-MF	1,00			--
0075	LAFN07832		PLATE -	1,00			--
0076	VTDD00147	SL05044	NUT M 4 INX U.5588	2,00			--
0077	VTRS15913	SL06107	WASHER D. 4 GROVER A2 UNI1751	2,00			--
0078	LAFN07247		BRACKET CT90	2,00			--
0079	VTRS00516	SL06034	WASHER D. 5 INX	4,00			--
0080	VTVT07725	SL04152	SCREW TE 5X16 UNI5739 INX	4,00			--



Ref. K	Part n.	Customer part n.	Description	Quantity	Validity		Price
					From	To	
0001	MPVR05560		TANK SOLUZIONE CT75	1,00			--
0002	MPVR05559		TANK SOLUTION CT70	1,00			--
0003	MPVR04984		FRONT PANEL	1,00			--
0004	VTRS00516	SL06034	WASHER D. 5 INX	4,00			--
0005	VTVT15961	SL04108	SCREW M 5X 16 TCB TC UNI 7687	4,00			--
0006	SPPV01270		BRUSH NYLON 0,5mm D.350	2,00			--



Ref. K	Part n.	Customer part n.	Description	Quantity	Validity		Price
					From	To	
0001	LAFN09302		CLOSURE -	2,00	26/09/2013		--
0002	MPVR49229	SL17608	BUSHING SHK	2,00			--
0003	MPVR05290		ROLLER PARACOLPI	2,00			--
0004	GUGO00164	SL03199	GASKET	2,00			--
0005	LAFN04100	SL07596	SPACER PER RUOTINO PARACOLPI	2,00			--
0006	MPVR06003		KNOB AISI 304	2,00		05/03/2013	--
0006	MPVR06004		KNOB AISI 304	2,00	06/03/2013		--
0008	VTRS00245	SL06022	WASHER D.6 UNI 6592 INOX	2,00			--
0009	LAFN09014		PLATE -	1,00			--
0010	GUVR00303		GASKET -	1,00			--
0011	GUVR00302		GASKET -	1,00			--
0012	LAFN09301		SOCKET -	2,00	26/09/2013		--
0014	LAFN08952		BRACKET -	1,00		25/09/2013	--
0014	LAFN09284		SHEET METAL PA. -	1,00	26/09/2013		--
0015	LAFN08953		BRACKET -	1,00		25/09/2013	--
0015	LAFN09285		SHEET METAL PA. -	1,00	26/09/2013		--
0016	MPVR08040		BLADE L LATEX	1,00			--
0017	VTRS16937	11051241	WASHER 6x24 INOX UNI 6593	2,00			--
0018	KTRIO2049		LARGE SQUEEGEE BODY	1,00			--
0019	VTVT00841	SL04354	SCREW TE M 6X65 UNI 5739 INX	2,00			--
0020	VTVT15515	SL04261	SCREW TE M 6X 50 INOX A2	2,00			--
0021	MPVR05898		CLOSURE L	2,00			--
0022	MPVR08036		BLADE L LATEX	1,00			--
0023	LAFN08954		BRACKET -	1,00		25/09/2013	--
0023	LAFN09286		SHEET METAL PA. -	1,00	26/09/2013		--
0024	LAFN08955		BRACKET -	1,00		25/09/2013	--
0024	LAFN09287		SHEET METAL PA. -	1,00	26/09/2013		--
0025	LAFN09015		PLATE -	1,00			--
0026	VTVR00565		INSERT -	2,00			--
0027	VTDD00210		NUT M 3 AUTOBL.DIN 985 IX.A2	8,00	26/09/2013		--
0028	VTVT01070		SCREW TSTC M3X8	8,00	26/09/2013		--