

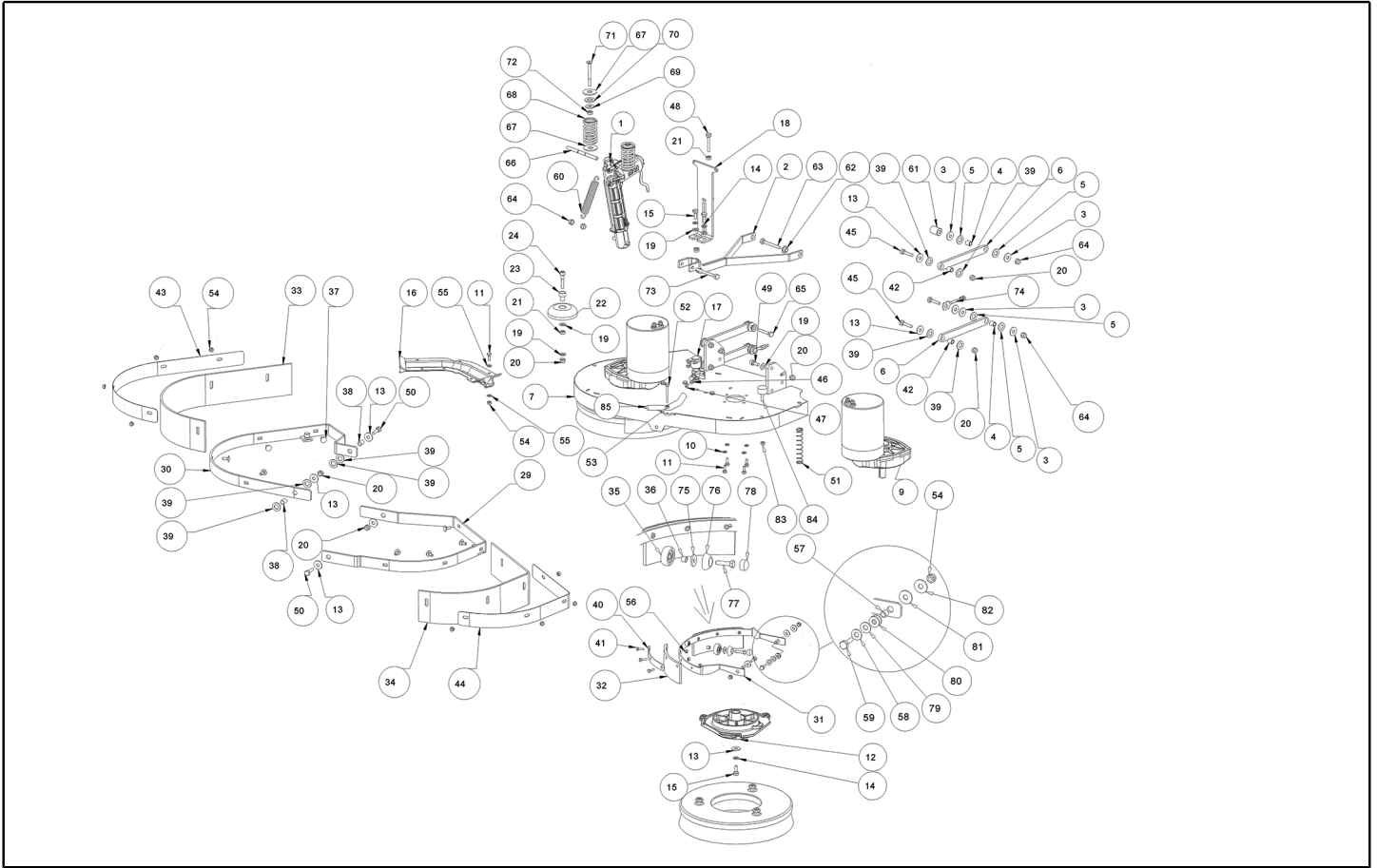


IPC

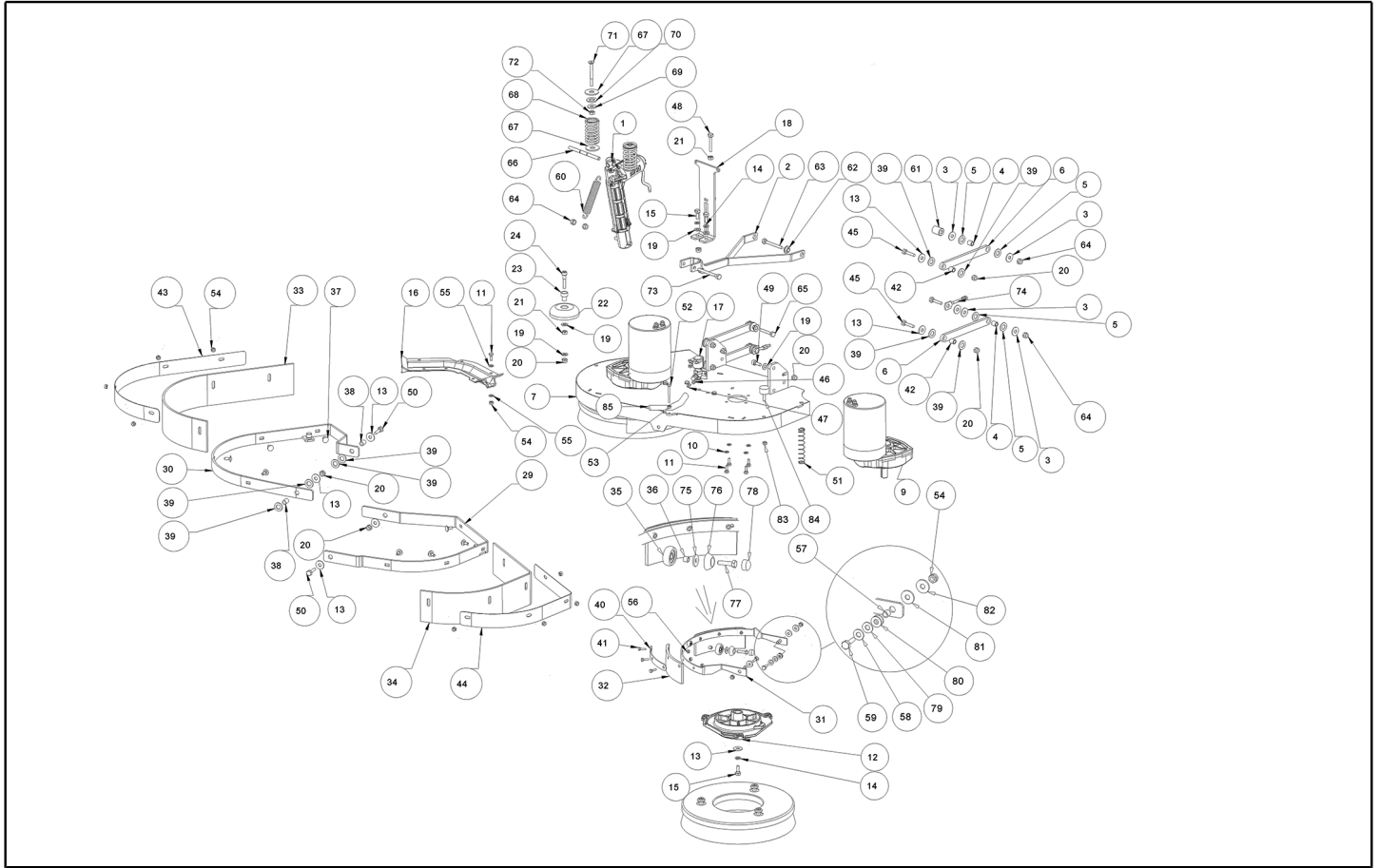
Spare parts list

Ref: LPTB02780

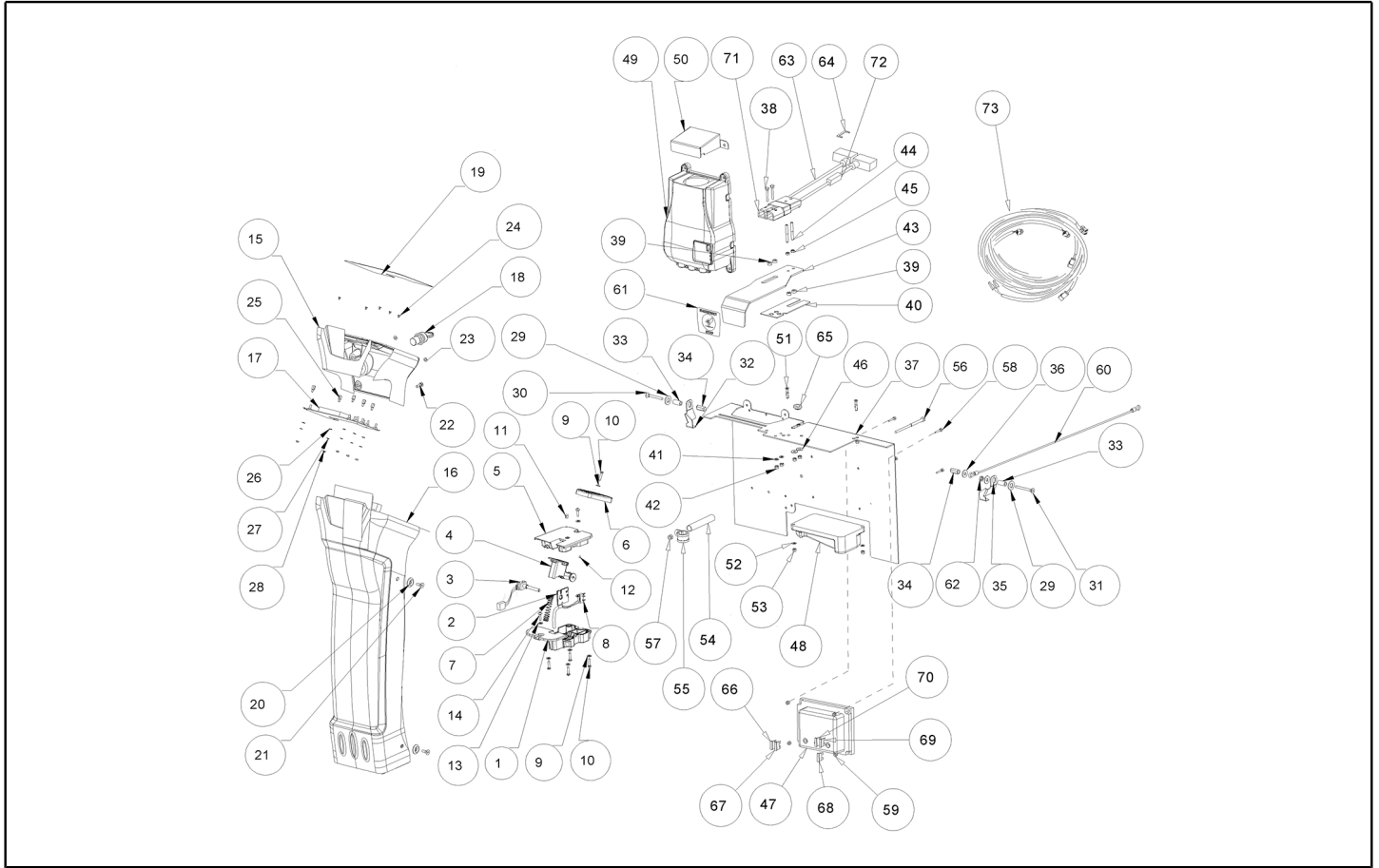
Model: FLOOR WASHER CT80 BT60 GR/VE USA



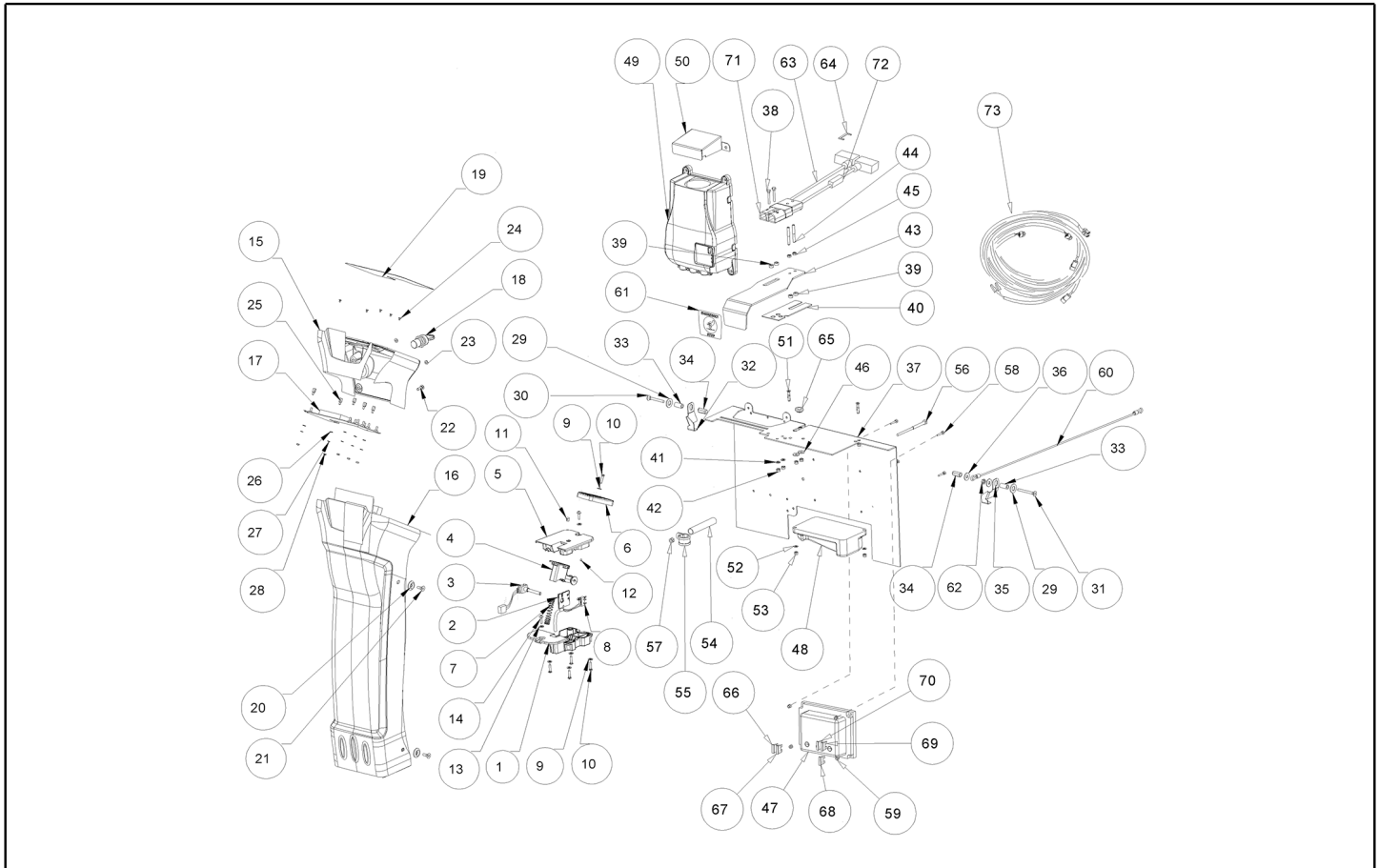
Ref. K	Part n.	Customer part n.	Description	Quantity	Validity		Price
					From	To	
0001	MOCC00423		ATUATOR BRUSH HEAD CT80	1,00			--
0002	LAFN09305		ARM -	1,00			--
0003	VTRS13946	SL06025	WASHER D. 8 X24 INX UNI 6593	4,00			--
0004	LAFN04151	SL07641	BUSHING X PARALLELOGRAMMA	2,00			--
0005	VTRS43258	SL06062	WASHER D.13X24 X2.5 NYL UNI6592	4,00			--
0006	LAFN09298		ARM -	4,00			--
0007	LAFN09307		HEAD -	1,00			--
0009	MOCC00328		MOTOR GEARBOX BRUSH 24V 380W	2,00			--
0010	VTRS15144	11051232	WASHER D. 6 INX GRW UNI 1751	8,00			--
0011	VTVT15143	SL04135	SCREW TE 6X16 UNI5739	14,00			--
0012	MFVR00212		DRIVE DISK	2,00			--
0013	VTRS13946	SL06025	WASHER D. 8 X24 INX UNI 6593	10,00			--
0014	VTRS15146	05519	WASHER D. 8 INX GRW UNI 1751	4,00			--
0015	VTVT13938	75362	SCREW TE 8X20 UNI5739 INX	2,00			--
0016	MPVR07146		CONVEYOR -	1,00			--
0017	MEEV00036		SOLENOID VALVE HOLE 8mm CLEANTIME	1,00			--
0018	LAFN09303		BRACKET -	1,00			--
0019	VTRS13947	75373	WASHER D. 8 INX UNI 6592	6,00			--
0020	VTDD01695	SL05039	NUT M 8 INX	10,00			--
0021	VTDD15521	05518	NUT M 8 INX A2 UNI 5588	2,00			--
0022	MPVR06105		SMALL WHEEL -	1,00			--
0023	LAFN03915	SL07390	BUSHING NUOVO RUOTINO STRONG	1,00			--
0024	VTVT06241		SCREW 8X40	1,00			--
0029	LAFN09318		SUPPORT SX	1,00			--
0030	LAFN09317		SUPPORT DX	1,00			--
0031	LAFN09358		BRACKET -	2,00			--
0032	MPVR07113		FLAP -	4,00			--
0033	MPVR07110		FLAP -	1,00			--
0034	MPVR07111		FLAP -	1,00			--
0035	CUVR00184		BEARING -	2,00			--
0036	LAFN03840	SL07318	BUSHING	2,00			--
0037	VTVT01208		SCREW TBEI 5X35	8,00			--
0038	LAFN08907		SPACER 12-8	2,00			--
0039	VTRS43258	SL06062	WASHER D.13X24 X2.5 NYL UNI6592	8,00			--
0040	LAFN09295		SHEET METAL PA. -	4,00			--
0041	VTVT07725	SL04152	SCREW TE 5X16 UNI5739 INX	12,00			--
0042	LAFN04151	SL07641	BUSHING X PARALLELOGRAMMA	2,00			--
0043	LAFN09396		BRACKET -	1,00			--
0044	LAFN09397		BRACKET -	1,00			--
0045	VTVT00410	SL04127	SCREW TE M8x35 UNI5739 INOX	2,00			--
0046	VTRS00515	SL06032	WASHER D. 4 INX	2,00			--
0047	VTVT01158		SCREW M4x16	2,00			--
0048	VTVT15371	71051247	SCREW TE M 8X45 INOX A2 UNI	1,00			--
0049	VTVT13944		SCREW TCEI M 8X20 UNI 5931 INX	2,00			--



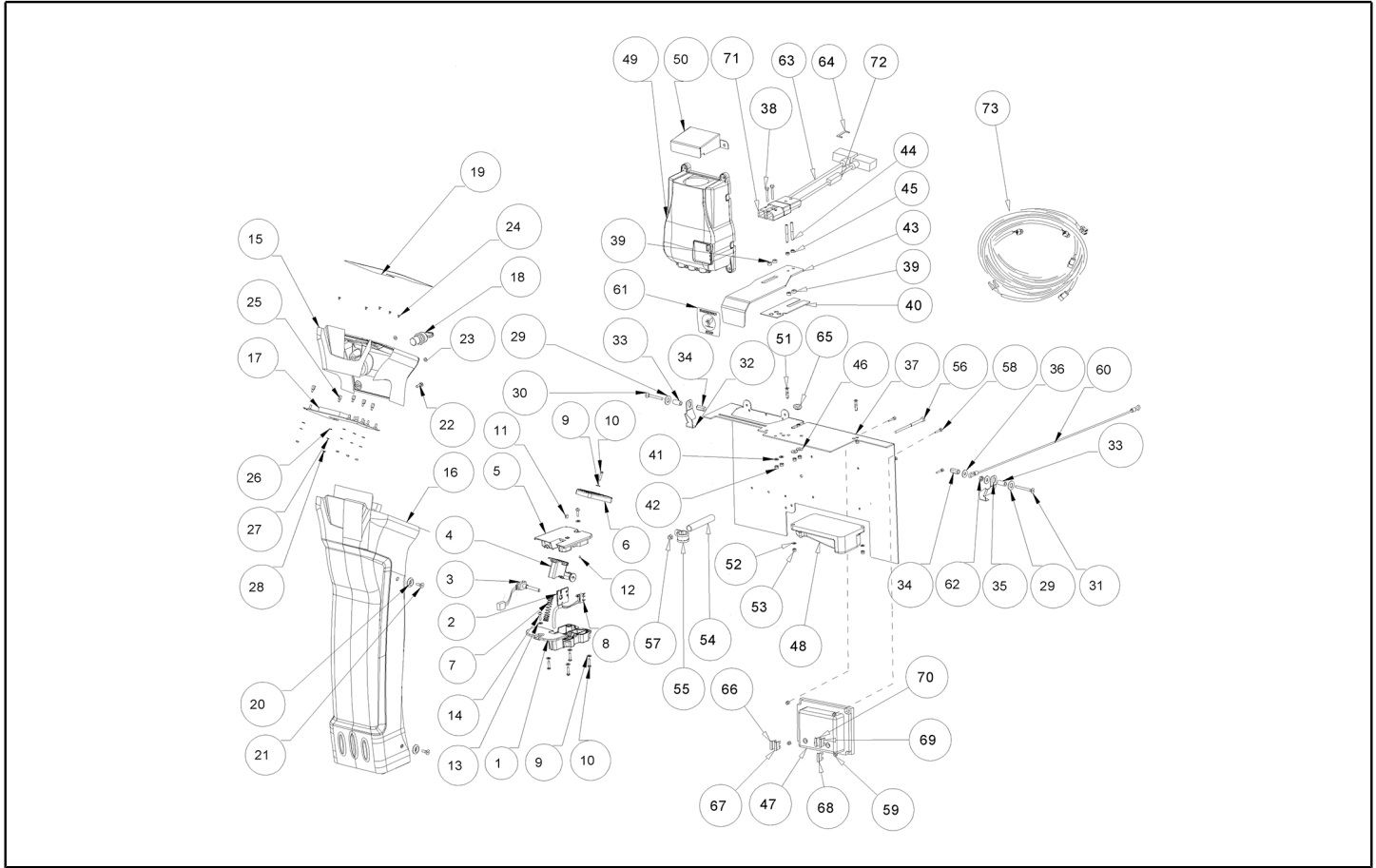
Ref. K	Part n.	Customer part n.	Description	Quantity	Validity		Price
					From	To	
0050	VTVT01050		SCREW TE M 8X30 INX UNI 5737	2,00			--
0051	MLML00345		SPRING -	2,00			--
0052	VTVT15515	SL04261	SCREW TE M 6X 50 INOX A2	2,00			--
0053	VTDD00053	75386	NUT M6 INOX UNI5589	2,00			--
0054	VTDD01694	SL05074	NUT M6 INOX	18,00			--
0055	VTRS00245	SL06022	WASHER D.6 UNI 6592 INOX	12,00			--
0056	VTDD01693	SL05087	NUT M 5 INX	12,00			--
0057	LAFN07876		SPACER -	4,00			--
0058	VTRS13945	SL06039	WASHER D. 6X18 INX UNI 6593	4,00			--
0059	VTVT13939	11051239	SCREW TE 6X20 UNI5739 INX	4,00			--
0060	MLML00347		SPRING -	1,00			--
0061	LAFN09327		SPACER -	1,00			--
0062	LAFN06391		BUSHING PARALLELOGRAMMA	2,00			--
0063	VTVT00757	SL04229	SCREW	1,00			--
0064	VTDD15521	05518	NUT M 8 INX A2 UNI 5588	2,00			--
0065	VTVT00708	SL04155	SCREW TE M. 8-40	1,00			--
0065	VTVT00708	SL04155	SCREW TE M. 8-40	1,00			--
0066	LAFN09320		PIN -	2,00			--
0067	VTRS09142	1105328	WASHER UNI 6593 12X36X2,5	4,00			--
0068	MLML00324		SPRING -	2,00			--
0069	VTRS13946	SL06025	WASHER D. 8 X24 INX UNI 6593	2,00			--
0070	VTRS00250	SL06029	WASHER D.14	2,00			--
0071	VTVT00300	75184	SCREW TSPEI M8x70 UNI5933	2,00			--
0072	VTDD15521	05518	NUT M 8 INX A2 UNI 5588	2,00			--
0073	VTVT00769	SL04248	SCREW M8X70 A2 UNI5737	1,00			--
0074	LAFN47168	1500019	BELT-STRETCHER ALTERNATORE TK1400	2,00			--
0075	VTRS13945	SL06039	WASHER D. 6X18 INX UNI 6593	2,00			--
0076	MPVR06440		COVER -	2,00			--
0077	VTVT00428		SCREW TCEI 6X20 UNI5931 INX	2,00			--
0078	MPVR06441		COVER -	2,00			--
0079	VTRS13947	75373	WASHER D. 8 INX UNI 6592	4,00			--
0080	MLML00168	SL13043	SPRING 8,2/15,8-0,25 LISCIA	8,00			--
0081	VTRS00274	SL06064	WASHER NYLON 66 D.8,4-17-2 UNI	4,00			--
0082	VTRS13945	SL06039	WASHER D. 6X18 INX UNI 6593	4,00			--
0083	VTDD13942		NUT M 6 UNI 5587 INX	1,00	27/01/2015		--
0084	MPVR75799	1370003	FOOT 20X9 M6X18	1,00	27/01/2015		--
0085	TBFX48011	MP19205	TUBE FLEX D.12X3 ARMORV.PVC TR	0,60			--



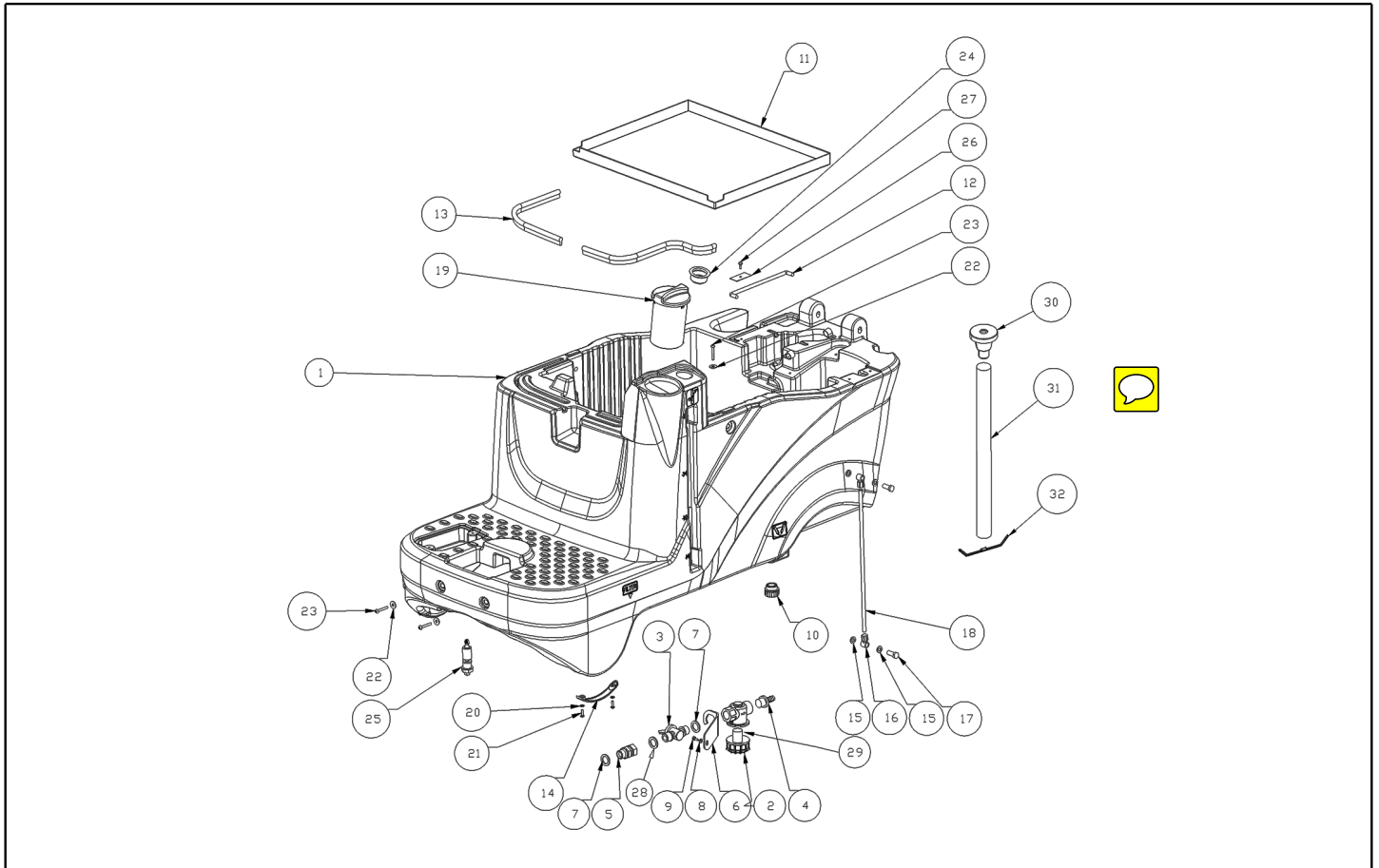
Ref. K	Part n.	Customer part n.	Description	Quantity	Validity		Price
					From	To	
0001	S	MPVR07120	BUSHING -	1,00			--
0002	S	MPVR07122	PLATE -	1,00			--
0003	S	MEVR01755	POTENTIOMETER PEDAL CT80	1,00			--
0004	S	MPVR07121	SUPPORT -	1,00			--
0005	S	MPVR07119	COVER -	1,00			--
0006	S	MPVR07126	COVER -	1,00			--
0007		MLML00339	SPRING -	1,00		25/01/2017	--
0007	S	MLML00476	SPRING -	1,00	26/01/2017		--
0008	S	MECI00414	MICROSWITCH PEDAL CT80	1,00			--
0009		VTRS00516	SL06034	WASHER D. 5 INX	4,00		--
0010		VTVT48694	SL04371	SCREW TCB TC 5 X12 UNI 9707 TZ	4,00		--
0011		RCVR00163	70215	CAP D.6	1,00		--
0012		VTVT01703		GRUB SCREW M4X8	1,00		--
0013		VTRS00516	SL06034	WASHER D. 5 INX	1,00		--
0014		VTVT45339	1105237	SCREW TBCE ISO 7380 5X16 ZB	1,00		--
0015		MPVR07124		INSTR.PANEL -	1,00		--
0016		MPVR07123		SIDE PANEL -	1,00		--
0017		MECE00589		BOARD DISPLAY CT80	1,00		--
0018		MECI75805	13801001	SWITCH A CHIAVE X MOTORI BATTER.	1,00		--
0019		ETET01797		LABEL -	1,00		--
0020		VTVR41809		UND.SCREW FLAN. D. 6.5-22 H4.5 NYL.NERO	4,00		--
0021		VTVT00832	SL04339	SCREW TSPEI M6X16 INOX	4,00		--
0022		VTVT00787	SL04278	SCREW TBEI M 6-16	2,00		--
0023		VTRS13750	SL06038	WASHER D. 5X14 INX	2,00		--
0024		VTVT01377		SCREW TSP-TC M 3X5 UNI7688 INX	5,00		--
0025		VTVR00576		SPACER M3	5,00		--
0026		VTRS00268	SL06056	WASHER D.3	5,00	09/11/2016	--
0027		VTRS21116	SL06009	WASHER D. 3 INX	5,00		--
0028		VTDD21115	SL05019	NUT M 3 INOX	5,00	09/11/2016	--
0028		VTDD00210		NUT M 3 AUTOBL.DIN 985 IX.A2	5,00	10/11/2016	--
0029		VTRS15523	11051234	WASHER D.10 X21 INOX UNI 6592	2,00		--
0030		VTVT26818		SCREW M6x45 TSPEI UNI5933	1,00		--
0031		VTVT30247	SL04098	SCREW TSPEI M 6X 50 UNI 5933	1,00		--
0032		LAFN09398		BRACKET -	1,00		--
0033		MPVR07165		SPACER -	2,00		--
0034		VTVR00556		RIVET -	2,00		--
0035		LAFN09399		BRACKET -	1,00		--
0036		VTRS00245	SL06022	WASHER D.6 UNI 6592 INOX	3,00		--
0037		LAFN09322		SHEET METAL PA. -	1,00		--
0038		VTVT00423		SCREW TE M 5X 30 UNI 5739	2,00		--
0039		MPVR07164		SPACER -	4,00		--
0040		MPVR07141		PLATE -	1,00		--
0041		VTRS00516	SL06034	WASHER D. 5 INX	2,00		--
0042		VTDD01693	SL05087	NUT M 5 INX	2,00		--



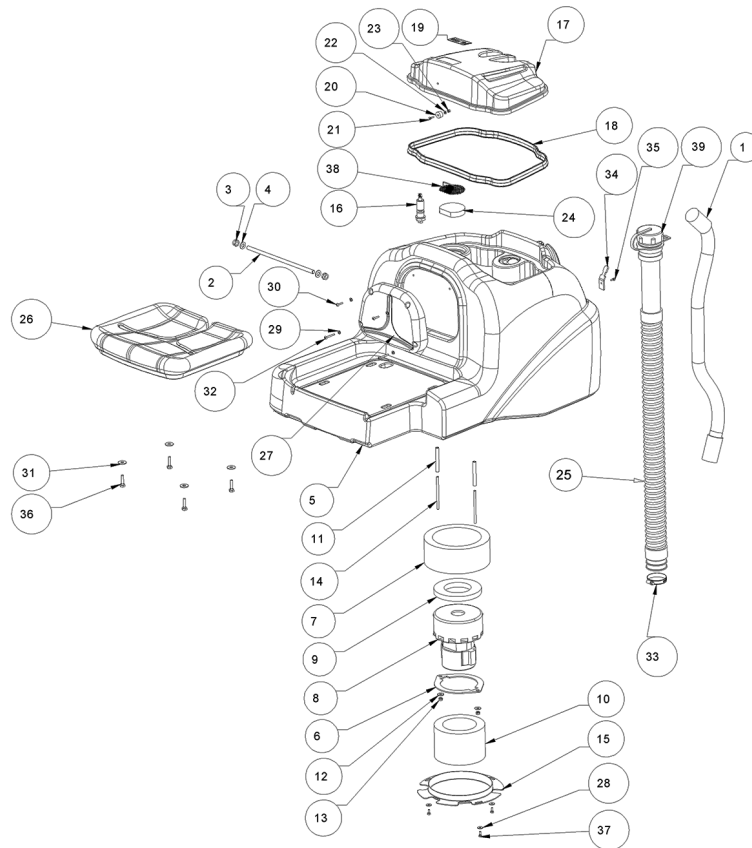
Ref. K	Part n.	Customer part n.	Description	Quantity	Validity		Price
					From	To	
0043	LAFN09321		LEVER -	1,00			--
0044	LAFN09350		PIN -	2,00			--
0045	VTDD07727	SL05016	NUT M 5 INOX	2,00			--
0046	VTRS13750	SL06038	WASHER D. 5X14 INX	2,00			--
0047	S MECE00588		BOARD POWER SERVICE CT80	1,00	28/01/2016		--
0047	MECE00738		BOARD POWER SERVICE CT80	1,00	29/01/2016		--
0048	MECE00607		BOARD TRACTION CURTIS CT80	1,00			--
0049	BACA00181		BATTERY-CHARGER CT80 GANSOW 24V 25A	1,00			--
0050	LAFN09325		DISTRIBUTOR 60	1,00			--
0051	VTVT00861	SL04380	SCREW TSPEI 4X25	2,00			--
0052	VTRS00515	SL06032	WASHER D. 4 INX	2,00			--
0053	VTDD00055	75289	NUT M 4 ATB A2	2,00			--
0054	LAFN09323		TUBE -	1,00			--
0055	MEVR02096		FAIR-LEAD -	1,00			--
0056	VTVT00414	11051237	SCREW TE M6x100 UNI5739	1,00			--
0057	VTDD01694	SL05074	NUT M6 INOX	1,00			--
0058	VTVT00704	SL04149	SCREW TE M 4X 16 UNI5739 INOX	4,00			--
0059	VTDD15925	SL05078	NUT M 4 INX	4,00			--
0060	CMCV00469		CABLE CT80	1,00		08/06/2016	--
0060	CMCV00471		CABLE CT80	1,00	09/06/2016		--
0061	ETET01825		LABEL -	1,00			--
0062	VTDD00053	75386	NUT M6 INOX UNI5589	1,00			--
0063	KTRI02290		CABLE BATTERY-ANDERSON+FUS.CT80	1,00			--
0064	MEVR32087	RP32087	FUSE 100A NST.	1,00			--
0065	MEVR00686	71003	FAIR-LEAD DIAMETER 15.5	1,00	20/02/2015		--
0066	MEVR01136	SL23148	FUSE 30A	1,00			--
0067	MEVR01136	SL23148	FUSE 30A	1,00			--
0068	MEVR01136	SL23148	FUSE 30A	1,00			--
0069	MEVR00565	70165	FUSE 5A	1,00			--
0070	MEVR00565	70165	FUSE 5A	1,00			--
0071	MEVR01621		PLUG -	1,00			--
0072	MEVR31036		FUSE-HOLDER	1,00			--
0073	MECB01393		WIRING CT80 APC	1,00			--



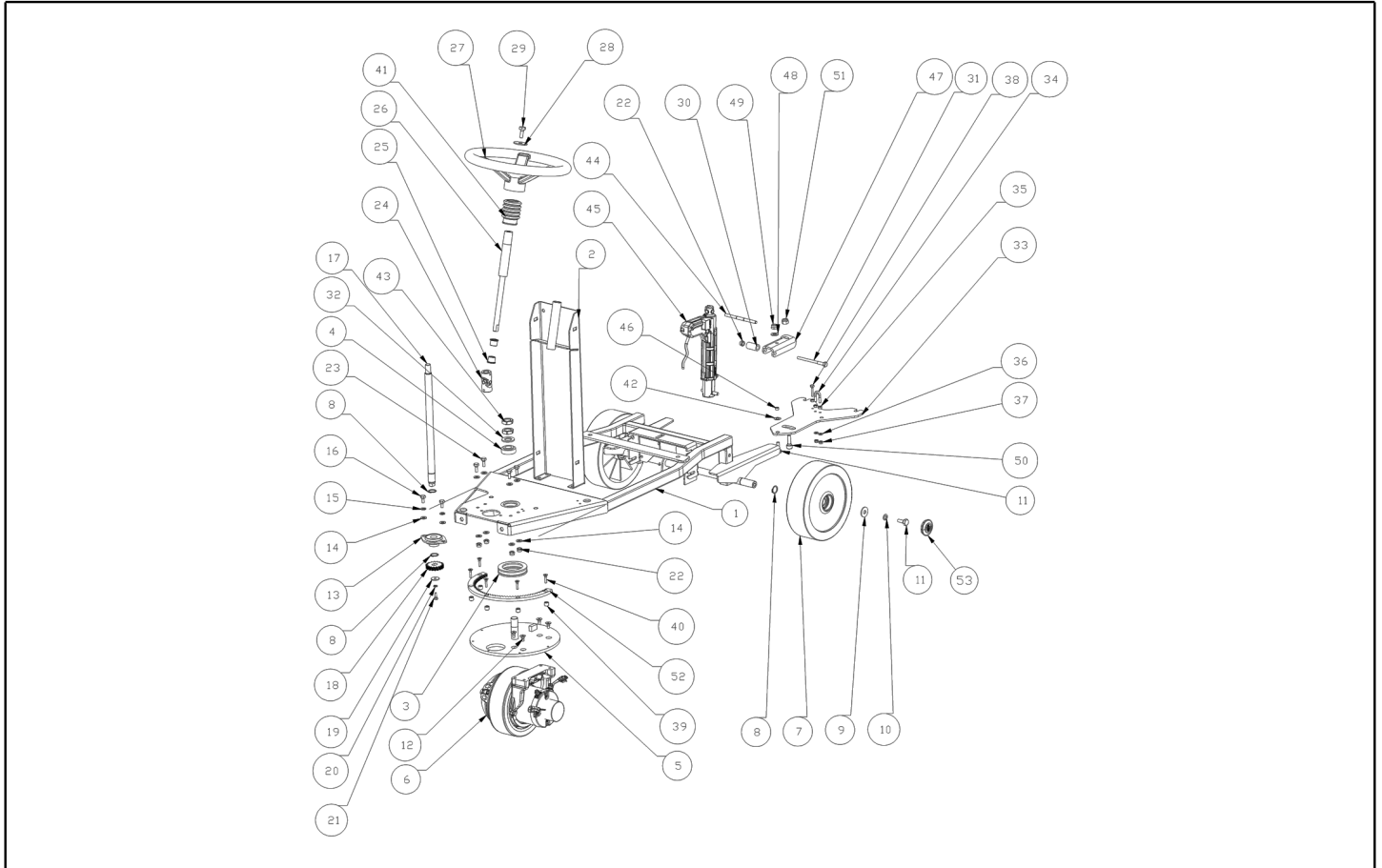
Ref. Part n.	Cust. part n.	Description	Reference	Price
KTRI02313		KIT POWER BOARD CT80	0047	--
PMVR01531			0001 0002 0003 0004 0005 0006 0007 0008	--



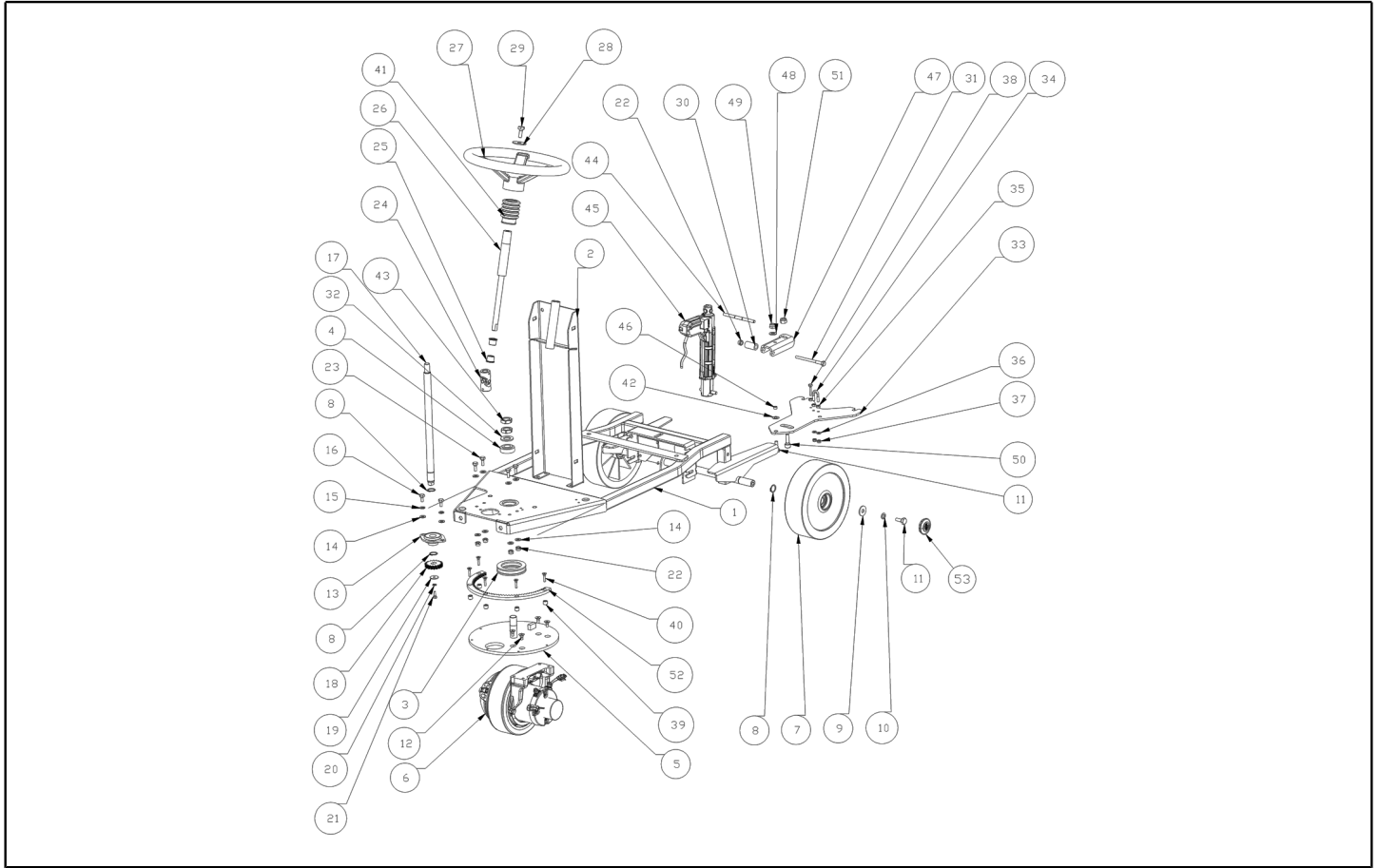
Ref. K	Part n.	Customer part n.	Description	Quantity	Validity		Price
					From	To	
0001	MPVR07117		TANK -	1,00			--
0002	FTAC00045		FILTER CT80	1,00			--
0003	RCGR00078		VALVE WATER	1,00			--
0004	RCVR00514	SL18365	CONNECTOR 1/2 M RESCA 15	1,00			--
0005	RCVR00594		CONNECTOR 1/2" M/F	1,00			--
0006	LAFN09393		BRACKET -	1,00			--
0007	VTRS00567		WASHER 1/2	2,00			--
0008	VTRS13750	SL06038	WASHER D. 5X14 INX	1,00			--
0009	VTVT01300		SCREW TE M5X12 INOX	1,00			--
0010	MPVR07073		CAP SOLUTION TANK CT110	1,00		25/10/2016	--
0010	MPVR10773		CAP 3/4"	1,00	26/10/2016		--
0011	MPVR07131		CONTAINER BATTERY CT80	1,00			--
0012	LAFN09401		PIN -	1,00			--
0013	GUVR00288		GASKET N052 S1007	0,80			--
0014	MPVR06102		PROTECTION SOLUTION TANK	2,00			--
0015	GUGO40012		GASKET D. 9- 16 X 2 VITON	4,00		11/02/2015	--
0015	GUGO00461		GASKET NBR	4,00	12/02/2015		--
0016	RCVR40127		CONNECTOR 1/8" D. 6/ 8 NIK	2,00			--
0017	RCVR40079		SCREW G 1/8 L= 28	2,00			--
0018	TBBP15347	1320040	L.P. HOSE D. 6- 8 RILSAN NT.	0,37			--
0019	MPVR07127		CAP SOLUTION DOSER	1,00		04/05/2017	--
0019	MPVR11497		CAP -	1,00	05/05/2017		--
0020	VTRS00516	SL06034	WASHER D. 5 INX	4,00			--
0021	VTVT00805	SL04310	SCREW TBEI M. 5-10	4,00			--
0022	VTRS13946	SL06025	WASHER D. 8 X24 INX UNI 6593	2,00			--
0023	VTVT00410	SL04127	SCREW TE M8x35 UNI5739 INOX	2,00			--
0024	MPVR06399		CAP -	1,00			--
0025	MECI00533		SENSOR VS303-51N	1,00			--
0026	LAFN09408		BRACKET -	1,00			--
0027	VTVT01300		SCREW TE M5X12 INOX	1,00			--
0028	GUGO01054	1160006	O-RING D. 15.08 X 2.62 NBR 70SH	1,00	30/01/2015		--
0029	LAFN11037		NET -	1,00			--
0030	MPVR06404		JOINT -	1,00			--
0031	TBFX00375		TUBE -	0,90			--
0032	MPVR08038		PLATE CT15-30	1,00			--



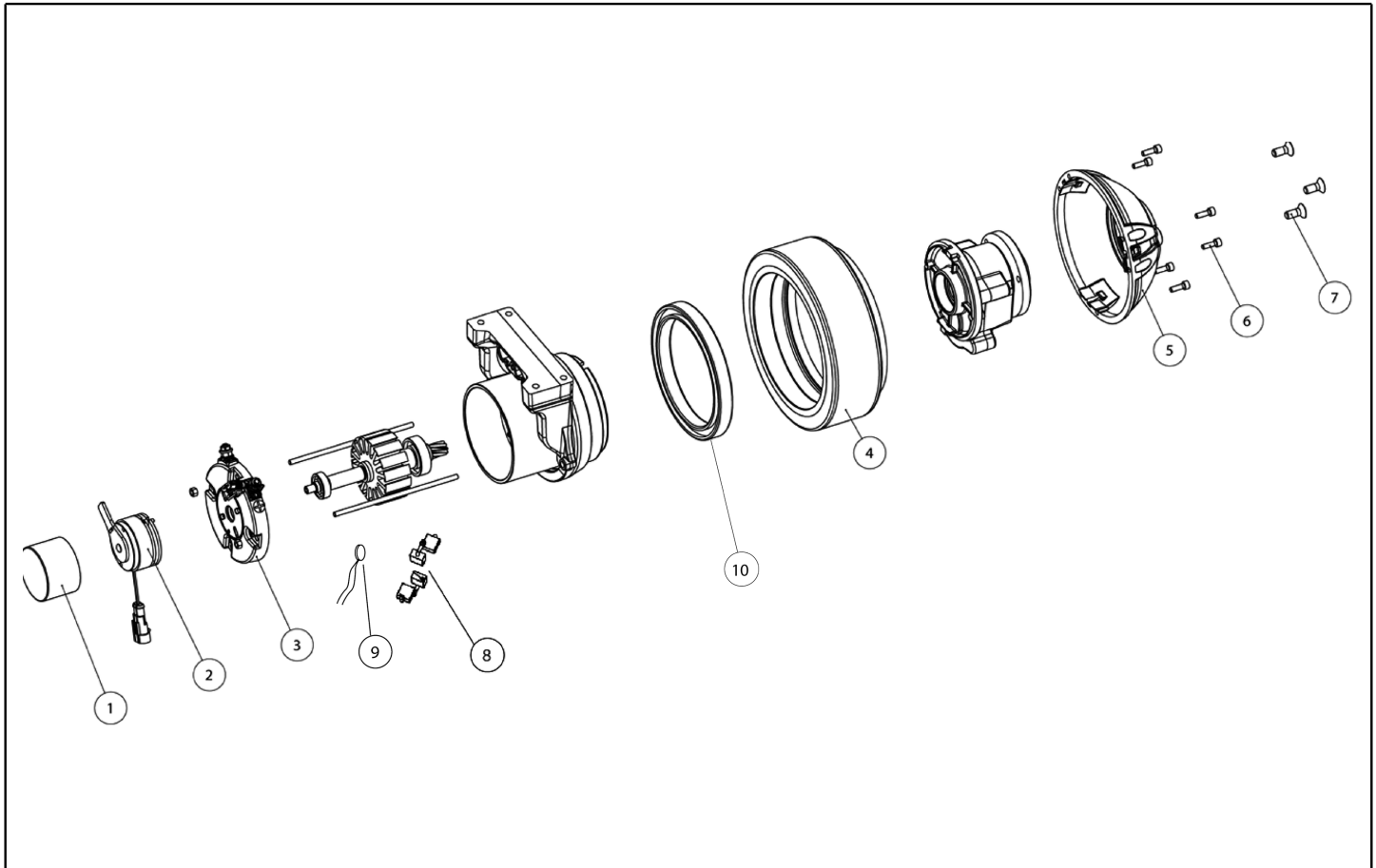
Ref. K	Part n.	Customer part n.	Description	Quantity	Validity		Price
					From	To	
0001	KTRI04702		KIT REPLACEMENT TBBP00512	1,00			--
0002	LAFN09389		PIN -	1,00			--
0003	VTDD10310		NUT AUTOBL.M10 INOX DIN 985	2,00			--
0004	VTRS15523	11051234	WASHER D.10 X21 INOX UNI 6592	2,00			--
0005	MPVR07116		TANK RECOVERY CT80 GREEN	1,00			--
0006	LAFN09352		FLANGE -	1,00			--
0007	ITSO00073		INSULATOR -	1,00			--
0008	MOCC00273		MOTOR VACUUM 3ST 24V	1,00			--
0009	GUGO00272	SL03648	GASKET VACUUM MOTOR CT	1,00			--
0010	ITSO00072		INSULATOR -	1,00			--
0011	LAFN51077		SPACER PH	2,00			--
0012	VTRS13945	SL06039	WASHER D. 6X18 INX UNI 6593	2,00			--
0013	VTDD01694	SL05074	NUT M6 INOX	2,00			--
0014	VTVT00785	SL04276	ROD FILETTO	2,00			--
0015	MPVR07125		COVER -	1,00			--
0016	MECI00533		SENSOR VS303-51N	1,00			--
0017	MPVR07118		COVER -	1,00			--
0018	GUGO00322		GASKET CT80 TANK LID	1,00			--
0019	ETET01824		LABEL -	1,00			--
0020	MPVR06400		CAP -	1,00			--
0021	VTVT00056	1105498	SCREW TSCE 4X12 ACCIAIO INOX	1,00			--
0022	VTRS00515	SL06032	WASHER D. 4 INX	1,00			--
0023	VTDD00055	75289	NUT M 4 ATB A2	1,00			--
0024	FTDP00232		FILTER -	1,00			--
0025	TBBP00513		HOSE DRAIN RECOVERY TANK CT80	1,00			--
0026	SESD86493		DISTRIBUTOR 60	1,00			--
0027	MPVR07132		BACKREST CT80	1,00			--
0028	VTRS13750	SL06038	WASHER D. 5X14 INX	3,00			--
0029	VTRS00516	SL06034	WASHER D. 5 INX	4,00			--
0030	VTVT00852	SL04367	SCREW	2,00			--
0031	VTRS13946	SL06025	WASHER D. 8 X24 INX UNI 6593	4,00			--
0032	VTVT01207		SCREW TBEI 5X35	2,00			--
0033	FSVR00033	70616	CLAMP 45-60	1,00			--
0034	LAFN09400		HOOK -	1,00			--
0035	VTVT21096	SL04032	SCREW TE M 4X 10 INX	1,00			--
0036	VTVT13937	11051230	SCREW TE M 8X 30 INX UNI 5739	4,00			--
0037	VTVT01300		SCREW TE M5X12 INOX	3,00			--
0038	LAFN09353		NET -	1,00			--
0039	KTRI01980		KIT CAP DRAIN HOSE	1,00			--



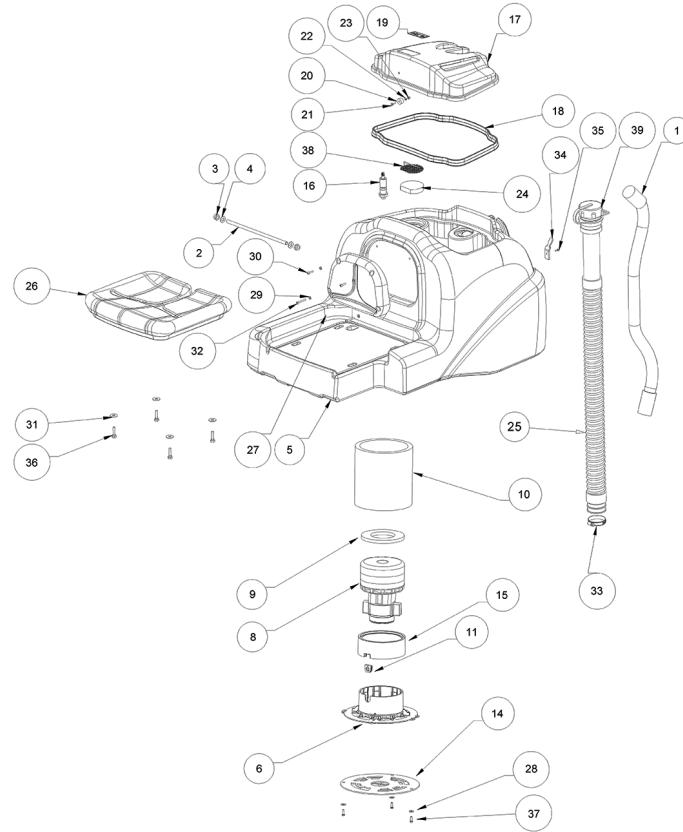
Ref. K	Part n.	Customer part n.	Description	Quantity	Validity		Price
					From	To	
0001	LAFN09292		FRAME -	1,00			--
0002	LAFN09373		UP STEERING -	1,00		13/04/2017	--
0002	LAFN11171		UP STEERING CT80	1,00	14/04/2017		--
0003	CUVR75816	1390019	BEARING 51112	1,00			--
0004	CUVR00094	SL12015	BEARING 32004 TIPO SKF	1,00			--
0005	LAFN09293		PLATE -	1,00			--
0006	MOCC00433		MOTOR ELECTRICAL 24V 300W	1,00			--
0007	RTRT00547		WHEEL D.250x60	2,00			--
0008	VTAE06193	RP06193	CIRCLIP D. 20 UNI 7435	2,00			--
0009	VTRS15524	SL06050	WASHER D.10	2,00			--
0010	VTRS15909	SL06108	WASHER D.10	2,00			--
0011	VTVT03640	SL04132	SCREW TE 10X25 UNI5740	2,00			--
0012	VTVT00790	SL04283	SCREW TSPEI M8X16	4,00			--
0013	CUVR00105	SL12031	SUPPORT	1,00			--
0014	VTRS13947	75373	WASHER D. 8 INX UNI 6592	2,00			--
0015	VTRS15146	05519	WASHER D. 8 INX GRW UNI 1751	2,00			--
0016	VTVT15916	SL04203	SCREW TE M 8X 16 UNI 5739 A2	2,00			--
0017	LAFN09294		SHAFT -	1,00			--
0018	LAFN06377		PINION STERZO	1,00			--
0019	VTRS16937	11051241	WASHER 6x24 INOX UNI 6593	1,00			--
0020	VTRS15144	11051232	WASHER D. 6 INX GRW UNI 1751	1,00			--
0021	VTVT15143	SL04135	SCREW TE 6X16 UNI5739	1,00			--
0022	VTDD01695	SL05039	NUT M 8 INX	4,00			--
0023	VTVT13938	75362	SCREW TE 8X20 UNI5739 INX	4,00			--
0024	VTVR00057	1255008	ARTICULATION CARDANICO	1,00			--
0025	LAFN75841	21101002	BUSHING CENTR.PIGNONE RUOTA ANT.	2,00			--
0026	ALTR00097		TRACTION SHAFT LOLY 50	1,00			--
0027	MPVR47027	13201001	STEERING WHEEL D.320 SENZA POMELLO	1,00			--
0028	VTRS44254	1105329	WASHER UNI 6593 10X40X2,5 ZB	1,00			--
0029	VTVT00455	75084	SCREW TE 10X20 UNI5739	1,00			--
0030	LAFN08158		SPACER -	1,00			--
0031	VTVT01677		SCREW TE M 8X100	1,00			--
0032	VTRS00019	1105399	WASHER UNI 6592 FORO 20 INOX	1,00			--
0033	LAFN08156		SHEET METAL PA. -	1,00			--
0034	LAFN09231		BRACKET M6X11X29	1,00			--
0035	VTDD15520	SL05017	NUT M 6 A2 UNI 5588 INX	2,00			--
0036	VTRS00245	SL06022	WASHER D.6 UNI 6592 INOX	2,00			--
0037	VTDD01694	SL05074	NUT M6 INOX	2,00			--
0038	VTVT13939	11051239	SCREW TE 6X20 UNI5739 INX	1,00			--
0039	LAFN06844		SPACER CORONA	5,00			--
0040	VTVT25909	SL04096	SCREW M 6X 25 TSPEI UNI 5933	5,00			--
0041	MPVR51068		PROTECTOR STERZO CLT 160	0,50			--
0042	MLML34767	SL13052	SPRING D.10.2 X20	1,00			--
0043	VTDD00524		NUT M20x1,5 UNI 5589	2,00			--



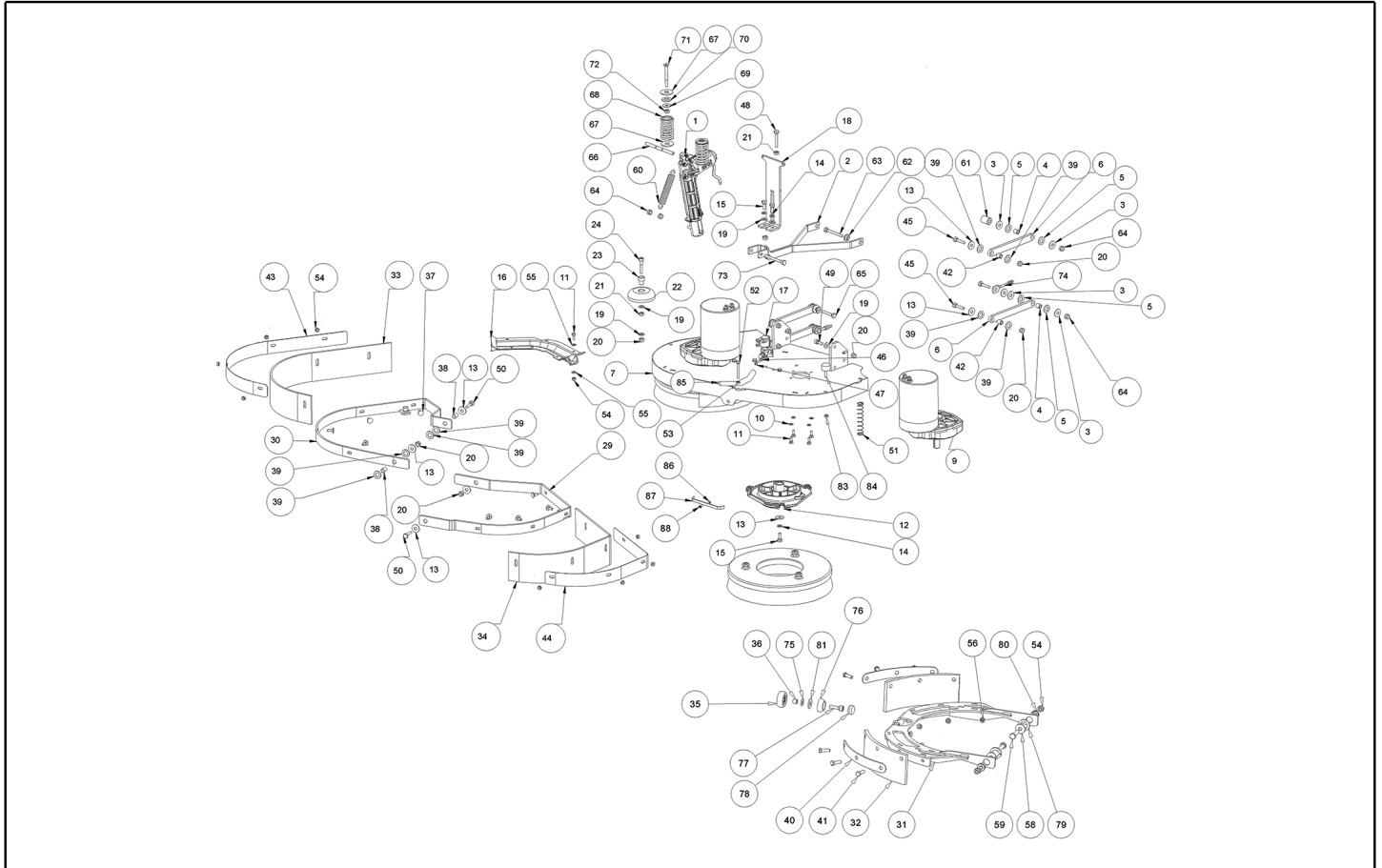
Ref. K	Part n.	Customer part n.	Description	Quantity	Validity		Price
					From	To	
0044	LAFN09320		PIN -	1,00			--
0045	MOCC00424		ATUATOR SQUEEGEE CT80	1,00			--
0046	LAFN09407		SPACER -	1,00			--
0047	LAFN09406		SUPPORT -	1,00		21/09/2015	--
0047	LAFN08233		SUPPORT CT80	1,00	22/09/2015		--
0048	VTRS13947	75373	WASHER D. 8 INX UNI 6592	1,00			--
0049	VTDD01695	SL05039	NUT M 8 INX	1,00			--
0050	VTVT00307	75205	SCREW TCEI M10X30	1,00			--
0051	VTDD15519		NUT M10 INOX	1,00			--
0052	LAFN09409		BRAKE -	1,00			--
0053	MPVR05951		CAP G48 FOR WHEEL	2,00			--



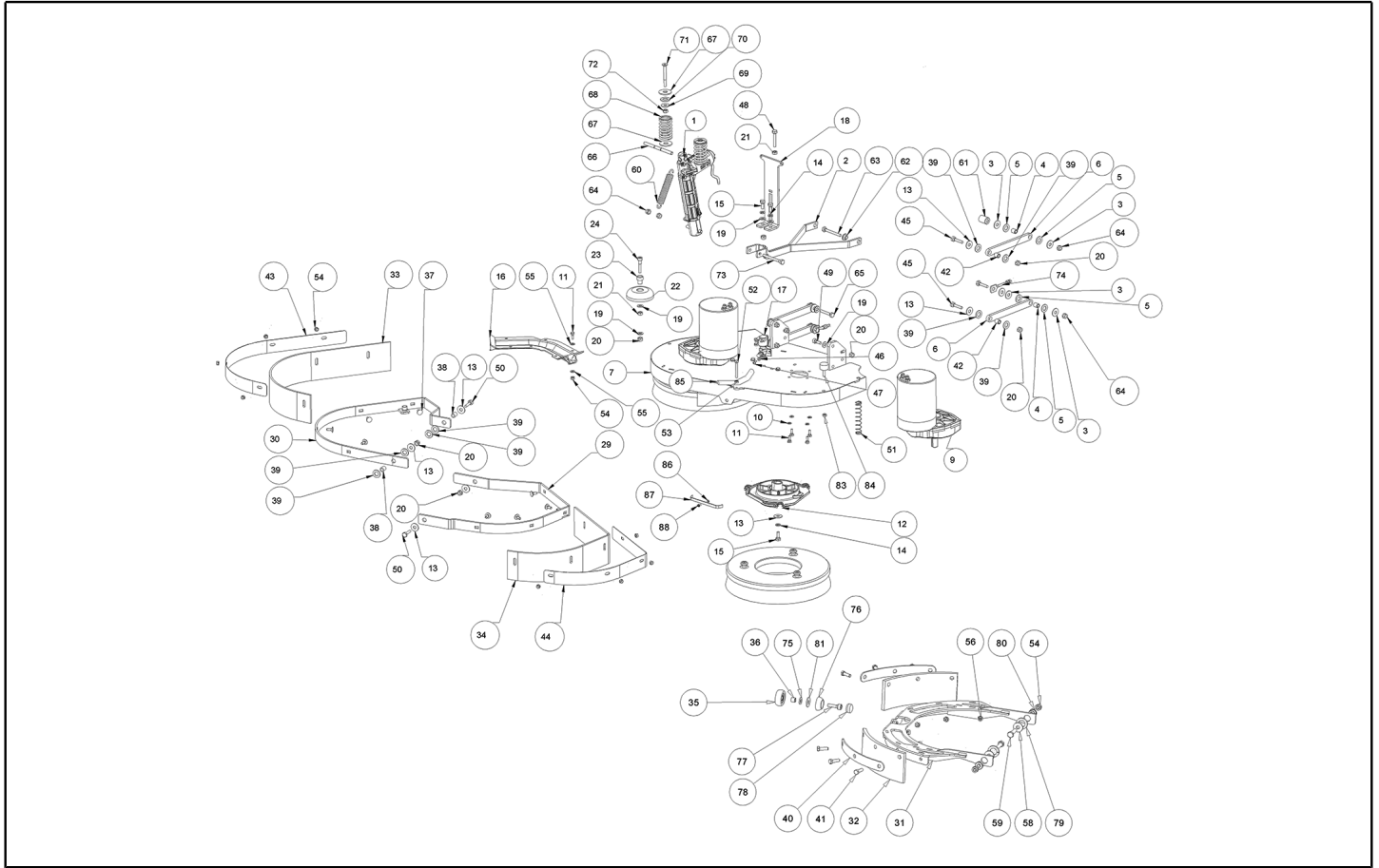
Ref. K	Part n.	Customer part n.	Description	Quantity	Validity		Price
					From	To	
0001	MPVR06463		COVER -	1,00			--
0002	MEVR01757		BRAKE TRACTION MOTORWHEEL CT80	1,00			--
0003	KTRI02294		KIT CARBONS SUPPORT CT80	1,00			--
0004	RTRT00552		WHEEL PU FOR TRACTION CT80	1,00			--
0005	MPVR06464		COVER -	1,00			--
0008	MEVR34441		BRUSH CARBON CC7X14X19 200/400W	4,00			--
0009	MEVR02387		SENSOR THERMAL MOCC00433	1,00			--
0010	CUVR00220		BEARING TRACTION MOTORWHEEL CT80	1,00			--



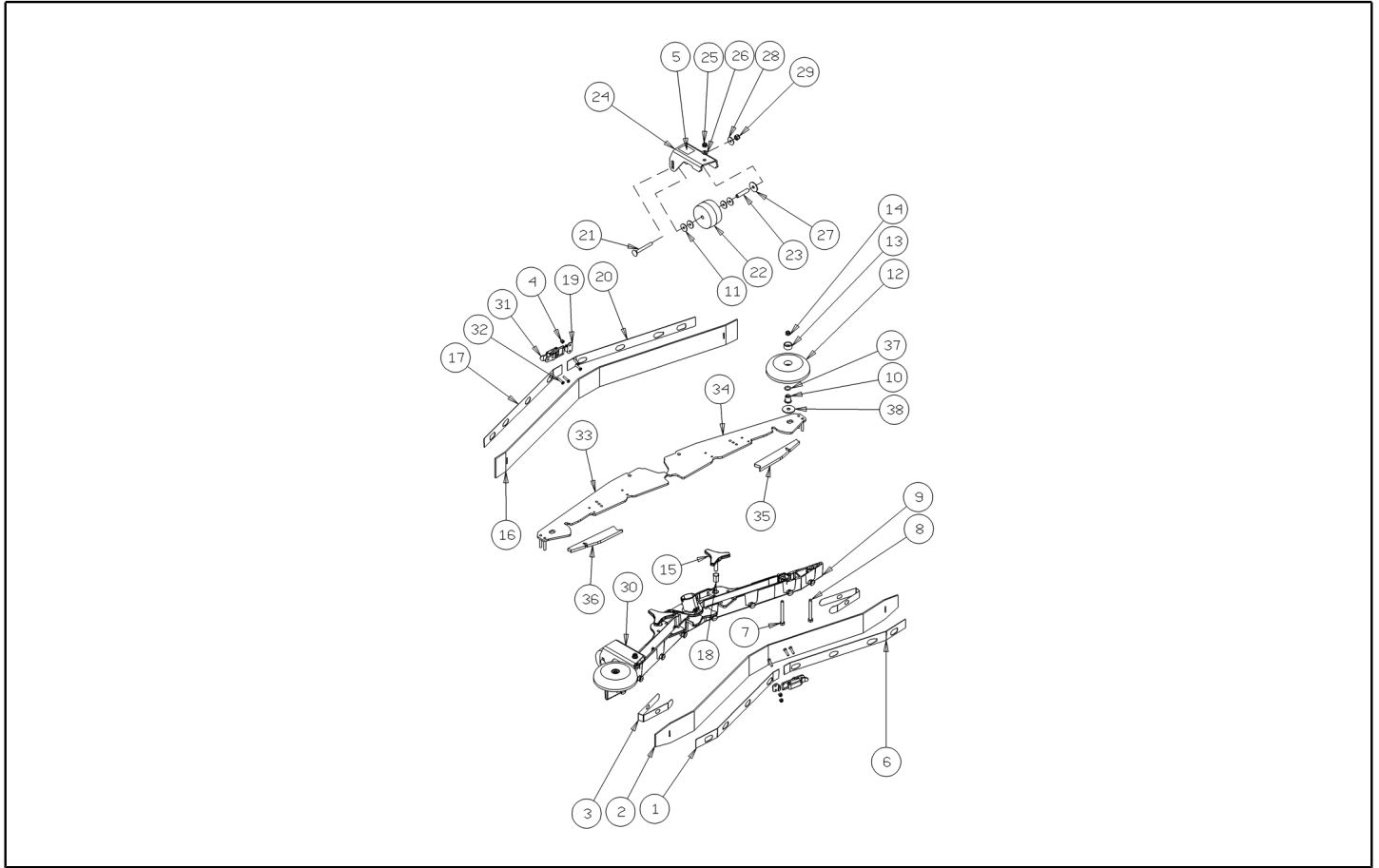
Ref. K	Part n.	Customer part n.	Description	Quantity	Validity		Price
					From	To	
0001	KTRI04702		KIT REPLACEMENT TBBP00512	1,00			--
0002	LAFN09389		PIN -	1,00			--
0003	VTDD10310		NUT AUTOBL.M10 INOX DIN 985	2,00			--
0004	VTRS15523	11051234	WASHER D.10 X21 INOX UNI 6592	2,00			--
0005	MPVR07116		TANK RECOVERY CT80 GREEN	1,00			--
0006	MPVR10730		BAFFLE -	1,00			--
0008	MOCC00342		VACUUM CLEANER 24V	1,00			--
0009	GUGO00497		GASKET	1,00			--
0010	ITSO00105		INSULATOR -	1,00			--
0011	GUGO00496		FAIR-LEAD	1,00			--
0014	LAFN11070		FLANGE -	1,00			--
0015	GUGO00466		GASKET -	1,00			--
0016	MECI00533		SENSOR VS303-51N	1,00			--
0017	MPVR07118		COVER -	1,00			--
0018	GUGO00322		GASKET CT80 TANK LID	1,00			--
0019	ETET01824		LABEL -	1,00			--
0020	MPVR06400		CAP -	1,00			--
0021	VTVT00056	1105498	SCREW TSCE 4X12 ACCIAIO INOX	1,00			--
0022	VTRS00515	SL06032	WASHER D. 4 INX	1,00			--
0023	VTDD00055	75289	NUT M 4 ATB A2	1,00			--
0024	FTDP00232		FILTER -	1,00			--
0025	TBBP00513		HOSE DRAIN RECOVERY TANK CT80	1,00			--
0026	SESD86493		DISTRIBUTOR 60	1,00			--
0027	MPVR07132		BACKREST CT80	1,00			--
0028	VTRS13750	SL06038	WASHER D. 5X14 INX	3,00			--
0029	VTRS00516	SL06034	WASHER D. 5 INX	4,00			--
0030	VTVT00852	SL04367	SCREW	2,00			--
0031	VTRS13946	SL06025	WASHER D. 8 X24 INX UNI 6593	4,00			--
0032	VTVT01207		SCREW TBEI 5X35	2,00			--
0033	FSVR00033	70616	CLAMP 45-60	1,00			--
0034	LAFN09400		HOOK -	1,00			--
0035	VTVT21096	SL04032	SCREW TE M 4X 10 INX	1,00			--
0036	VTVT13937	11051230	SCREW TE M 8X 30 INX UNI 5739	4,00			--
0037	VTVT07725	SL04152	SCREW TE 5X16 UNI5739 INX	3,00			--
0038	LAFN09353		NET -	1,00			--
0039	KTRI01980		KIT CAP DRAIN HOSE	1,00			--



Ref. K	Part n.	Customer part n.	Description	Quantity	Validity		Price
					From	To	
0001	MOCC00423		ATUATOR BRUSH HEAD CT80	1,00			--
0002	LAFN09305		ARM -	1,00			--
0003	VTRS13946	SL06025	WASHER D. 8 X24 INX UNI 6593	4,00			--
0004	LAFN04151	SL07641	BUSHING X PARALLELOGRAMMA	2,00			--
0005	VTRS43258	SL06062	WASHER D.13X24 X2.5 NYL UNI6592	4,00			--
0006	LAFN09298		ARM -	4,00			--
0007	LAFN09307		HEAD -	1,00			--
0009	MOCC00328		MOTOR GEARBOX BRUSH 24V 380W	2,00			--
0010	VTRS15144	11051232	WASHER D. 6 INX GRW UNI 1751	8,00			--
0011	VTVT15143	SL04135	SCREW TE 6X16 UNI5739	14,00			--
0012	MFVR00212		DRIVE DISK	2,00			--
0013	VTRS13946	SL06025	WASHER D. 8 X24 INX UNI 6593	10,00			--
0014	VTRS15146	05519	WASHER D. 8 INX GRW UNI 1751	4,00			--
0015	VTVT13938	75362	SCREW TE 8X20 UNI5739 INX	2,00			--
0016	MPVR07146		CONVEYOR -	1,00			--
0017	MEEV00036		SOLENOID VALVE HOLE 8mm CLEANTIME	1,00			--
0018	LAFN09303		BRACKET -	1,00			--
0019	VTRS13947	75373	WASHER D. 8 INX UNI 6592	6,00			--
0020	VTDD01695	SL05039	NUT M 8 INX	10,00			--
0021	VTDD15521	05518	NUT M 8 INX A2 UNI 5588	2,00			--
0022	MPVR06105		SMALL WHEEL -	1,00			--
0023	LAFN03915	SL07390	BUSHING NUOVO RUOTINO STRONG	1,00			--
0024	VTVT06241		SCREW 8X40	1,00			--
0029	LAFN09318		SUPPORT SX	1,00			--
0030	LAFN09317		SUPPORT DX	1,00			--
0031	LAFN11044		BRACKET -	2,00			--
0032	MPVR07113		FLAP -	4,00			--
0033	MPVR07110		FLAP -	1,00			--
0034	MPVR07111		FLAP -	1,00			--
0035	CUVR00184		BEARING -	2,00			--
0036	LAFN03840	SL07318	BUSHING	2,00			--
0037	VTVT01208		SCREW TBEI 5X35	8,00			--
0038	LAFN08907		SPACER 12-8	2,00			--
0039	VTRS43258	SL06062	WASHER D.13X24 X2.5 NYL UNI6592	8,00			--
0040	LAFN09295		SHEET METAL PA. -	4,00			--
0041	VTVT07725	SL04152	SCREW TE 5X16 UNI5739 INX	12,00			--
0042	LAFN04151	SL07641	BUSHING X PARALLELOGRAMMA	2,00			--
0043	LAFN09396		BRACKET -	1,00			--
0044	LAFN09397		BRACKET -	1,00			--
0045	VTVT00410	SL04127	SCREW TE M8x35 UNI5739 INOX	2,00			--
0046	VTRS00515	SL06032	WASHER D. 4 INX	2,00			--
0047	VTVT01158		SCREW M4x16	2,00			--
0048	VTVT15371	71051247	SCREW TE M 8X45 INOX A2 UNI	1,00			--
0049	VTVT13944		SCREW TCEI M 8X20 UNI 5931 INX	2,00			--



Ref. K	Part n.	Customer part n.	Description	Quantity	Validity		Price
					From	To	
0050	VTVT01050		SCREW TE M 8X30 INX UNI 5737	2,00			--
0051	MLML00345		SPRING -	2,00			--
0052	VTVT15515	SL04261	SCREW TE M 6X 50 INOX A2	2,00			--
0053	VTDD00053	75386	NUT M6 INOX UNI5589	2,00			--
0054	VTDD01694	SL05074	NUT M6 INOX	18,00			--
0055	VTRS00245	SL06022	WASHER D.6 UNI 6592 INOX	12,00			--
0056	VTDD01693	SL05087	NUT M 5 INX	12,00			--
0058	VTRS13945	SL06039	WASHER D. 6X18 INX UNI 6593	4,00			--
0059	VTVT15141	05245	SCREW TE M 6X 25 UNI 5739 INX	2,00			--
0060	MLML00347		SPRING -	1,00			--
0061	LAFN09327		SPACER -	1,00			--
0062	LAFN06391		BUSHING PARALLELOGRAMMA	2,00			--
0063	VTVT00757	SL04229	SCREW	1,00			--
0064	VTDD15521	05518	NUT M 8 INX A2 UNI 5588	2,00			--
0065	VTVT00708	SL04155	SCREW TE M. 8-40	1,00			--
0066	LAFN09320		PIN -	2,00			--
0067	VTRS09142	1105328	WASHER UNI 6593 12X36X2,5	4,00			--
0068	MLML00324		SPRING -	2,00			--
0069	VTRS13946	SL06025	WASHER D. 8 X24 INX UNI 6593	2,00			--
0070	VTRS00250	SL06029	WASHER D.14	2,00			--
0071	VTVT00300	75184	SCREW TSPEI M8x70 UNI5933	2,00			--
0072	VTDD15521	05518	NUT M 8 INX A2 UNI 5588	2,00			--
0073	VTVT00769	SL04248	SCREW M8X70 A2 UNI5737	1,00			--
0074	LAFN47168	1500019	BELT-STRETCHER ALTERNATORE TK1400	2,00			--
0075	VTRS00245	SL06022	WASHER D.6 UNI 6592 INOX	2,00			--
0076	MPVR06440		COVER -	2,00			--
0077	VTVT00428		SCREW TCEI 6X20 UNI5931 INX	2,00			--
0078	MPVR06441		COVER -	2,00			--
0079	VTRS15919		WASHER D.12 GROVER UNI 1751 INX	4,00			--
0080	LAFN11045		BUSHING -	4,00			--
0081	VTRS13945	SL06039	WASHER D. 6X18 INX UNI 6593	2,00			--
0083	VTDD13942		NUT M 6 UNI 5587 INX	1,00	27/01/2015		--
0084	MPVR75799	1370003	FOOT 20X9 M6X18	1,00	27/01/2015		--
0085	TBFX48011	MP19205	TUBE FLEX D.12X3 ARMORV.PVC TR	0,60			--
0086	VTRS15913	SL06107	WASHER D. 4 GROVER A2 UNI1751	2,00			--
0087	MLML00328		SPRING -	2,00			--
0088	VTVT21887	SL04079	SCREW TCB-TC 4X10 8112	2,00			--



Ref. K	Part n.	Customer part n.	Description	Quantity	Validity		Price
					From	To	
0001	LAFN09284		SHEET METAL PA. -	1,00			--
0002	MPVR08040		BLADE L LATEX	1,00			--
0003	MPVR05898		CLOSURE L	2,00			--
0004	VTDD00210		NUT M 3 AUTOBL.DIN 985 IX.A2	8,00			--
0005	ETET01817		LABEL -	2,00			--
0006	LAFN09285		SHEET METAL PA. -	1,00			--
0007	VTVT00841	SL04354	SCREW TE M 6X65 UNI 5739 INX	2,00			--
0008	VTVT00841	SL04354	SCREW TE M 6X65 UNI 5739 INX	2,00			--
0009	MFVR00217		BODY -	1,00			--
0010	LAFN04100	SL07596	SPACER PER RUOTINO PARACOLPI	2,00			--
0011	VTRS00274	SL06064	WASHER NYLON 66 D.8,4-17-2 UNI	4,00			--
0012	MPVR05290		ROLLER PARACOLPI	2,00			--
0013	MPVR49229	SL17608	BUSHING SHK	2,00			--
0014	VTDD01694	SL05074	NUT M6 INOX	2,00			--
0015	MPVR06004		KNOB AISI 304	2,00			--
0016	MPVR08036		BLADE L LATEX	1,00			--
0017	LAFN09286		SHEET METAL PA. -	1,00			--
0018	VTVR00567		INSERT -	2,00			--
0019	LAFN09301		SOCKET -	2,00			--
0020	LAFN09287		SHEET METAL PA. -	1,00			--
0021	VTVT01206		SCREW M6X55	2,00			--
0022	RTRT00398		WHEEL -	2,00			--
0023	LAFN07589		SPACER -	2,00			--
0024	LAFN09368		SUPPORT SX	1,00			--
0025	VTDD01694	SL05074	NUT M6 INOX	2,00			--
0026	VTRS00245	SL06022	WASHER D.6 UNI 6592 INOX	2,00			--
0027	VTRS16937	11051241	WASHER 6x24 INOX UNI 6593	2,00			--
0028	VTRS13945	SL06039	WASHER D. 6X18 INX UNI 6593	2,00			--
0029	VTDD15518	75375	NUT M 6 INX	2,00			--
0030	LAFN09367		SUPPORT DX	1,00			--
0031	LAFN09302		CLOSURE -	2,00			--
0032	VTVT01070		SCREW TSTC M3X8	8,00			--
0033	LAFN09015		PLATE -	1,00		22/02/2016	--
0033	LAFN11024		PLATE -	1,00	23/02/2016		--
0034	LAFN09014		PLATE -	1,00		22/02/2016	--
0034	LAFN11023		PLATE -	1,00	23/02/2016		--
0035	GUVR00302		GASKET -	1,00			--
0036	GUVR00303		GASKET -	1,00			--
0037	GUGO00164	SL03199	GASKET	2,00			--
0038	VTRS16937	11051241	WASHER 6x24 INOX UNI 6593	2,00			--