

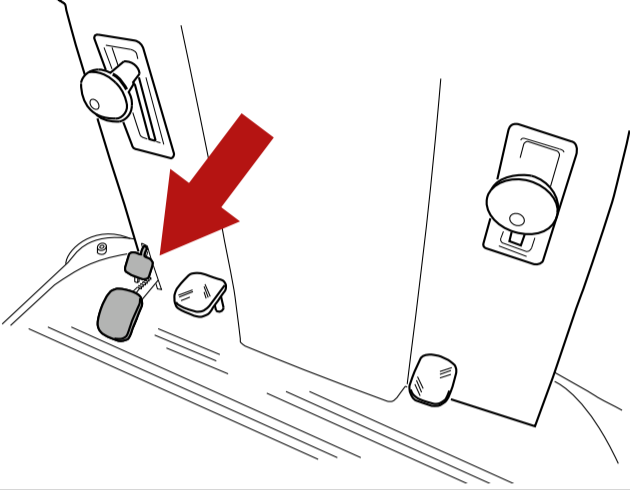


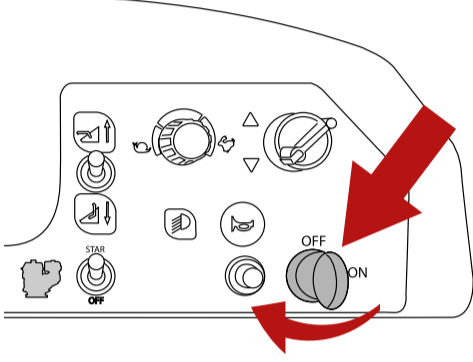
# 1250-1280 E/DP Quick guide

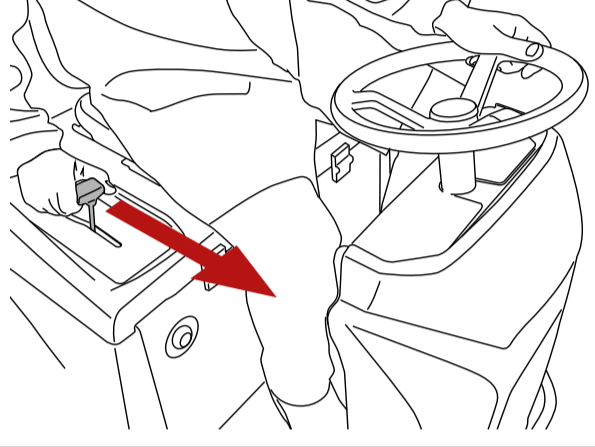



This guide is intended for quick consultation only and does not replace the user and maintenance manual. Before using the machine, read the user and maintenance manual contained in the machine's packaging thoroughly and strictly follow all the instructions.


## PREPARATION & OPERATION


**1** 

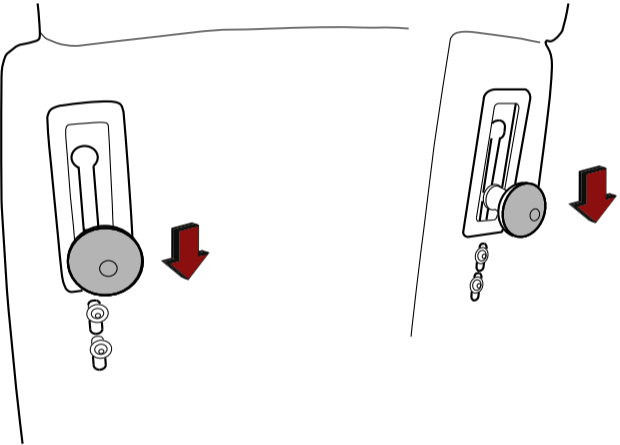
**2** 

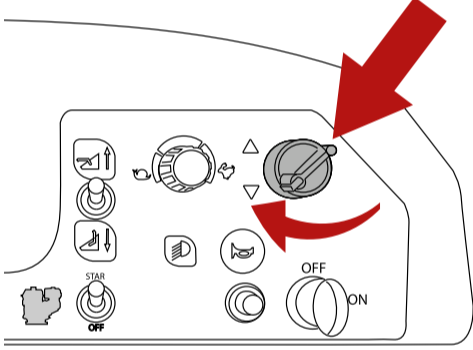
**3** 

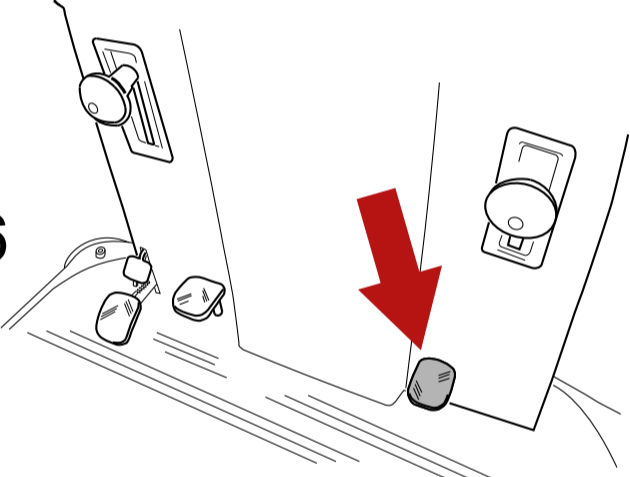


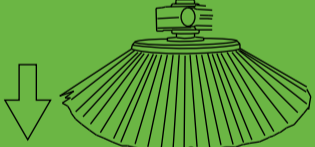






**4** 

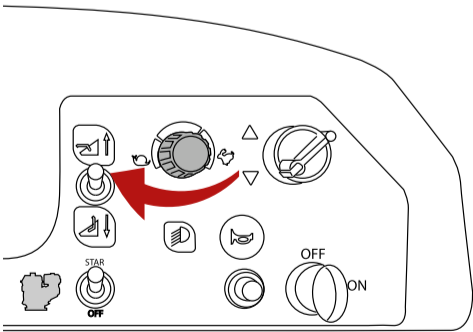
**5** 

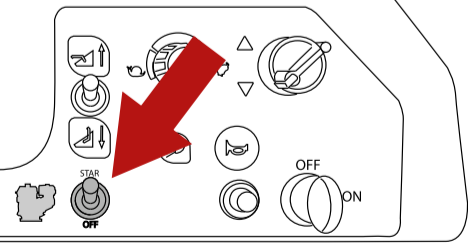
**6** 

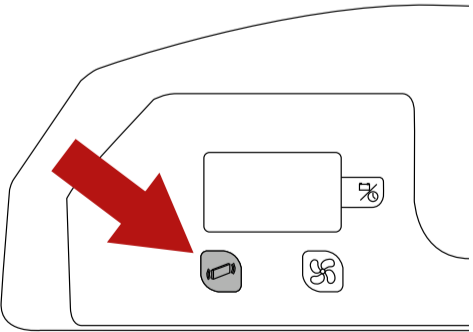









**7** 


**8** 

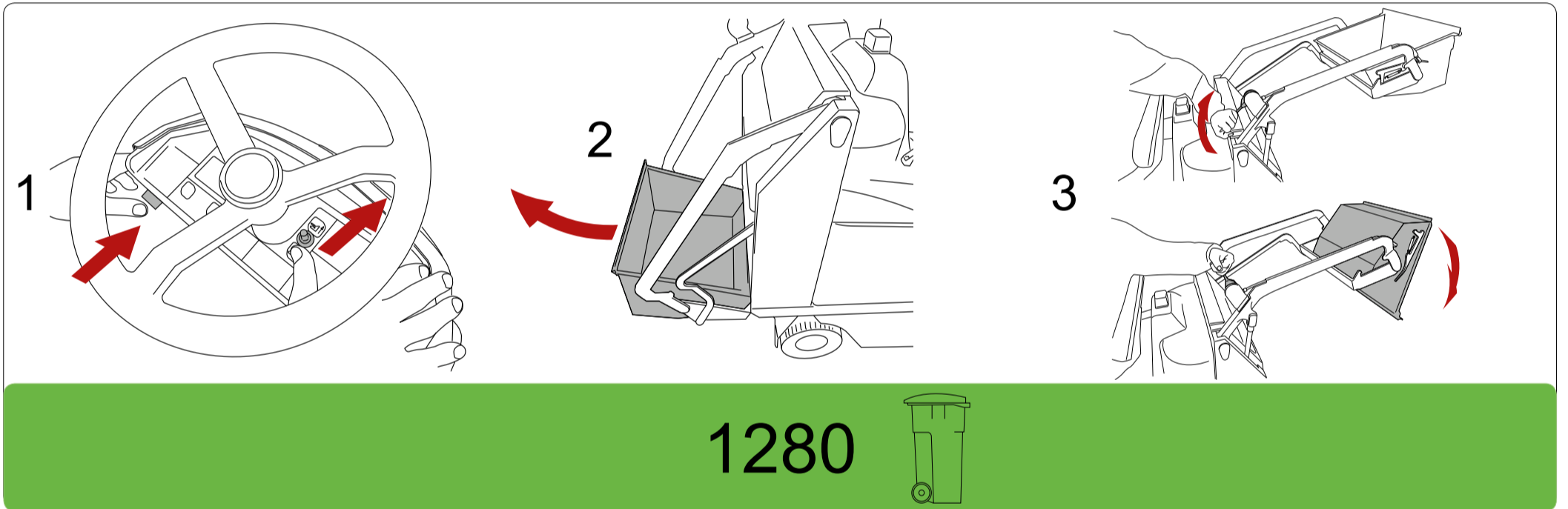
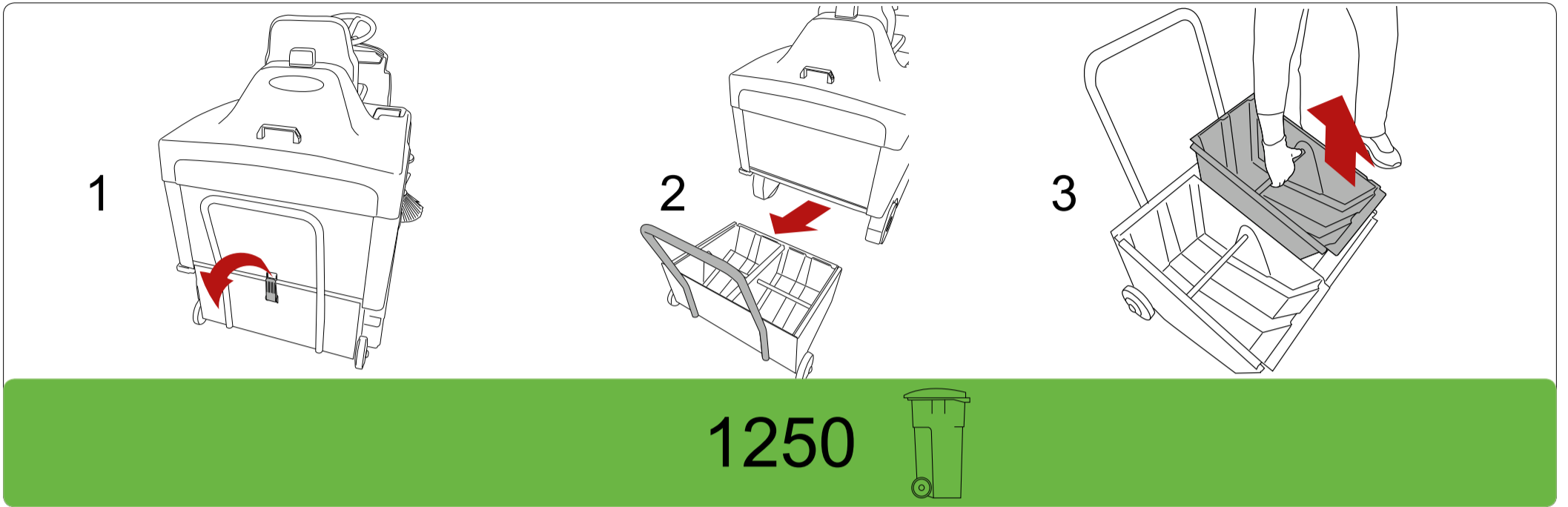
**9** 











DAILY MAINTENANCE

