



USER MANUAL

(Original instructions)



KLEEN 1/20 TC W&D P

KLEEN 1/30 TC W&D S

KP 1/20 CLEAN TC

KS 1/30 CLEAN TC



IPC

DEAR CUSTOMER

Congratulations on the purchase of your new wet/dry vacuum cleaner.



Prior to using the appliance for the first time, be sure to read this document through and keep it ready to read instructions of use.

PURPOSE AND INTENDED USE

This vacuum cleaner is designed, developed and andrigorously tested to function efficiently and safely when properly maintained and used in accordance with the following instructions. This vacuum cleaner is to be used for commercial (hotels, schools, hospitals, factories, offices and rental business) and/or for household use. Accidents due to misuse can only be prevented by those using the machine.

CAUTION: READ AND FOLLOW ALL SAFETY INSTRUCTIONS.

This machine is suitable for picking up dry, nonflammable dust and liquids. Any other use is considered as improper use. The manufacturer accepts no liability for any damage resulting from such use. The risk for such use is borne solely by the user. Proper use also includes proper operation, servicing and repairs as specified by the supplier.

! ATTENTION: REVIEW IMPORTANT SAFETY INSTRUCTIONS BEFORE ATTEMPTING TO USE THIS VACUUM CLEANER. RETAIN FOR FUTURE REFERENCE

! DANGER: Never operate this unit when flammable materials or vapors are present because electrical devices produce arcs or sparks that can cause a fire or explosion.

NEVER OPERATE UNATTENDED!



! WARNING: Always wear eye protection to prevent rocks or debris from being blown or ricocheting into the eyes or face which can result in serious injury.

1. IMPORTANT SAFETY INSTRUCTIONS

1.1 INSTRUCTIONS FOR USE:

The appliance must:

- only be used by persons, who have been instructed in its correct usage and explicitly commissioned with the task of operating it
- only be operated under supervision
- This appliance is not intended for use by persons (including children) with reduced physical, sensory or mental capabilities, or lack of experience and knowledge.
- Children shall be supervised to make sure that they do not play with the appliance.
- Do not use any unsafe work techniques.
- Never use the vacuum cleaner without a filter.
- Switch off the appliance and disconnect the mains plug in the following situations:
 - Prior to cleaning and servicing
 - Prior to replacing components
 - Prior to changing over the appliance
 - If foam develops or liquid emerges

Besides the operating instructions and the binding accident prevention regulations valid in the country of use, observe recognised regulations for safety and proper use.

1.2 IMPORTANT WARNINGS:

- To reduce the risk of fire, electric shock, or injury, please read and follow all safety instructions and caution markings before use. This vacuum cleaner is designed to be safe when used for cleaning functions as specified. Should damage occur to electrical or mechanical parts, the cleaner and / or accessory should be repaired by a competent service station or the supplier before use in order to avoid further damage to the machine or physical injury to the user.
- Do not leave the machine when it is plugged in. Unplug from the socket when not in use and before maintenance.
- Do not use with damaged cord or plug. To unplug grasp the plug, not the cord. Do not handle plug or cleaner with wet hands. Turn off all controls before unplugging.
- Do not pull or carry by cord, use cord as a handle, close a door on cord, or pull cord around sharp edges or corners. Do not run cleaner over cord. Keep cord away from heated surfaces.
- Keep hair, loose clothing, fingers and all parts of the body away from openings and moving parts.
- Do not put any objects into openings or use with opening blocked. Keep openings free of dust, lint, hair, and anything else that could reduce the flow of air.
- WARNING: This machine is not suitable for picking up hazardous dust.
- Do not use to pick up flammable or combustible liquids such as gasoline, or use in areas where they may be present.
- Do not pick up anything that is burning or smoking, such as cigarettes, matches or hot ashes.
- Use extra care when cleaning on stairs.
- Do not use unless filters are fitted.
- If the cleaner is not working properly or has been dropped, damaged, left outdoors, or dropped into water, return it to a service center or supplier.
- If foam or liquid escapes from the machine, switch off immediately.
- The vacuum cleaner may not be used as a water pump. The vacuum cleaner is intended for vacuuming air and water mixtures.
- Connect the vacuum cleaner to a properly earthed mains supply. The socket outlet and the extension cable must have an operative protective conductor.
- Provide for good ventilation at the working place.
- Do not use the vacuum cleaner as a ladder or step ladder. The vacuum cleaner can tip over and become damaged.
- Never vacuum up the following materials: explosive or combustible gases, liquids and dust particles (reactive dust particles), reactive metal dust particles (such as aluminum, magnesium, zinc) in combination with highly alkaline or acidic detergents, undiluted and strong acids and alkalis or organic solvents such as petrol, paint thinners, acetone, heating oil and similar products.
- Risk of fire. Do not vacuum up any burning or glowing objects.
- Do not not pick up flammable or combustible liquids such as gasoline, liquids, reactive dust particles or use in areas where they may be present.
- Do not use your vacuum cleaner as a sprayer of flammable liquids such as oil base paints, lacquers, household cleaners, etc.
- Do not attempt to vacuum hot or warm ashes. Maximum temperature of ashes should not be warmer than 102 degrees Fahrenheit / 40 degrees Celsius.
- Do not vacuum toxic carcinogenic, combustible or other hazardous materials such as asbestos, arsenic, barium, beryllium, lead, pesticides or other health endangering materials.
- To avoid spontaneous combustion, empty tank after each use.
- NOTE: A static shock may occur if the environment is too dry. This will not affect the use of the vacuum cleaner. To eliminate shock, add humidity to the air with a console or a humidifier.

- STAY ALERT and use common sense. Do not use vacuum cleaner when you are under the influence of drugs, alcohol, medication, or if you are tired or distracted.
- Do not leave cord lying on the floor once you have finished the cleaning job. It can become a tripping hazard.
- If the supply cord is damaged, it must be replaced by the manufacturer, its service agent or similiary qualified persons in order to avoid hazard
- Do not allow to be used as a toy. Close attention is necessary when used by or near children.
- Keep packaging material away from children. There is a risk of suffocation!
- Protect the unit from rain. Store indoors only.
- CAUTION: The machine is for indoor use only.
- Do not operate the vacuum cleaner in the rain.
- Wear protection mask, when tank is emptied for fine dust of all kinds.
- Unplug before connecting hose and any attachments.
- Do not leave appliance when plugged in. Unplug from outlet when not in use and before servicing it.
- Connect to a properly grounded outlet only. See Grounding Instructions.
- WARNING: Operators shall be adequately instructuted on the use of these machines
- CAUTION: Clean the water level limiting device regularly and examine it for signs of damage.
- The floater has the function to stop the vacuuming when the tank is full of fluids or in case of overturning;carry out routine cleaning,checking that it has no damage and change it if necessary.

1.3 ONLY APPLICABLE IN UK

Please read these essential instructions.

These instructions have been prepared with safety and efficiency paramount. The machine operator must be trained by a suitably qualified instructor and must understand these instructions for use, and be made aware of any relevant regulations and legislation in force at the time of use.

This 240 volt 50 Hz. machine are fitted with a 13 amp. 3 pin moulded plug. The plug is fitted with a 13 amp. detachable fuse. The correct replacement for the fuse is identified by marking or colour coding. Only fuses that are ASTA approved to BS 1362 should be fitted. Never use the plug without the fuse cover fitted. Replacement fuse covers are available at any electrical retail outlet.

1.4 TESTS AND APPROVALS

Electrical tests must be performed in accordance with the provisions of safety regulations EN 62638. These tests must be performed at regular intervals and after repairs or modifications. The vacuum cleaner has been approved in accordance with IEC/EN 60335-2-69.

Note: All the drawings and pictures are merely indicative and given only as a guide.

2. OVERVIEW

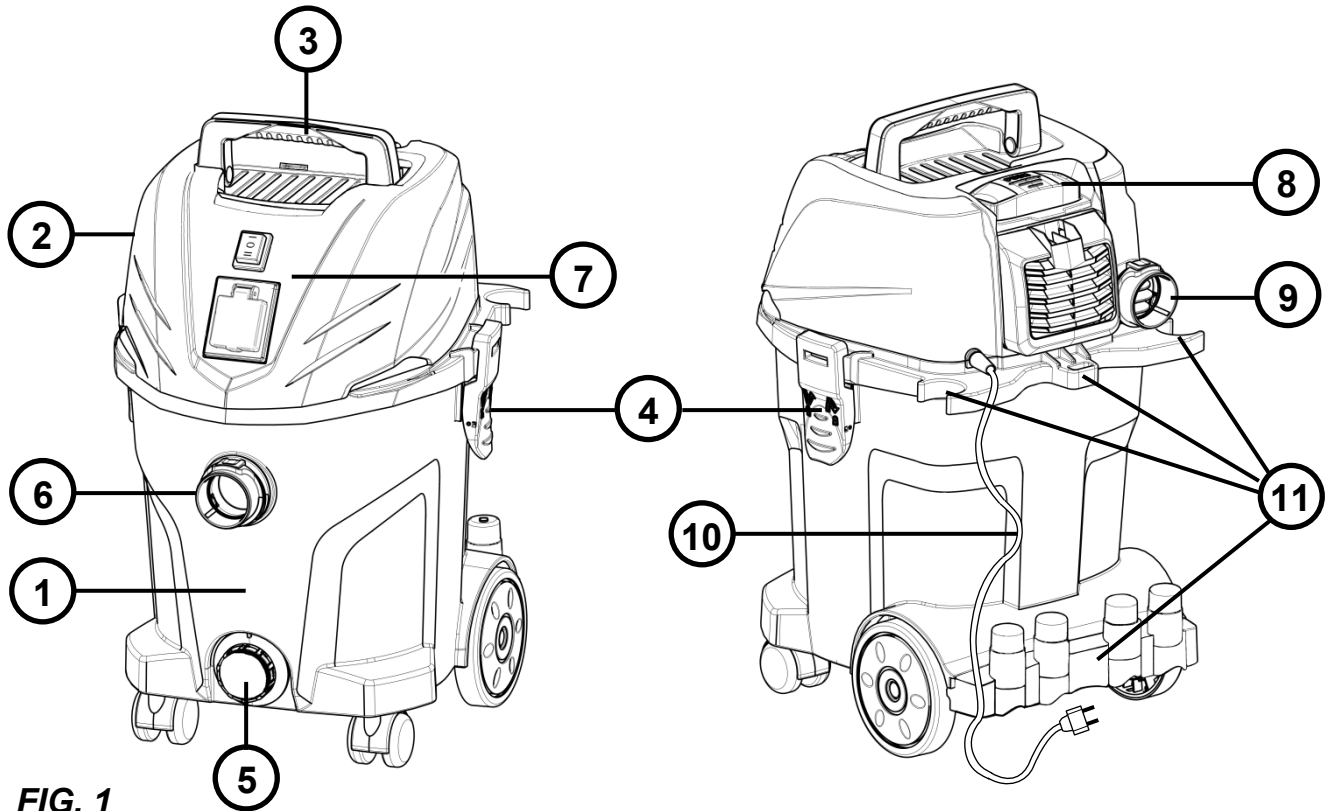


FIG. 1

- 1. Tank
- 2. Head
- 3. Handle
- 4. Clamp
- 5. Drain outlet
- 6. Suction inlet
- 7. Control panel

- 8. Filter Cleaning Button
- 9. Blow outlet
- 10. Power cable and plug
- 11. Accessories holder
- 12. Hose with handtube
- 13. Hoses
- 14. Dust brush (dry pickup)

- 15. Squeegee brush (wet pickup)
- 16. Crevice Nozzle
- 17. Brush nozzle
- 18. Power tool adapter
- 19. Paper bag (dry pickup)

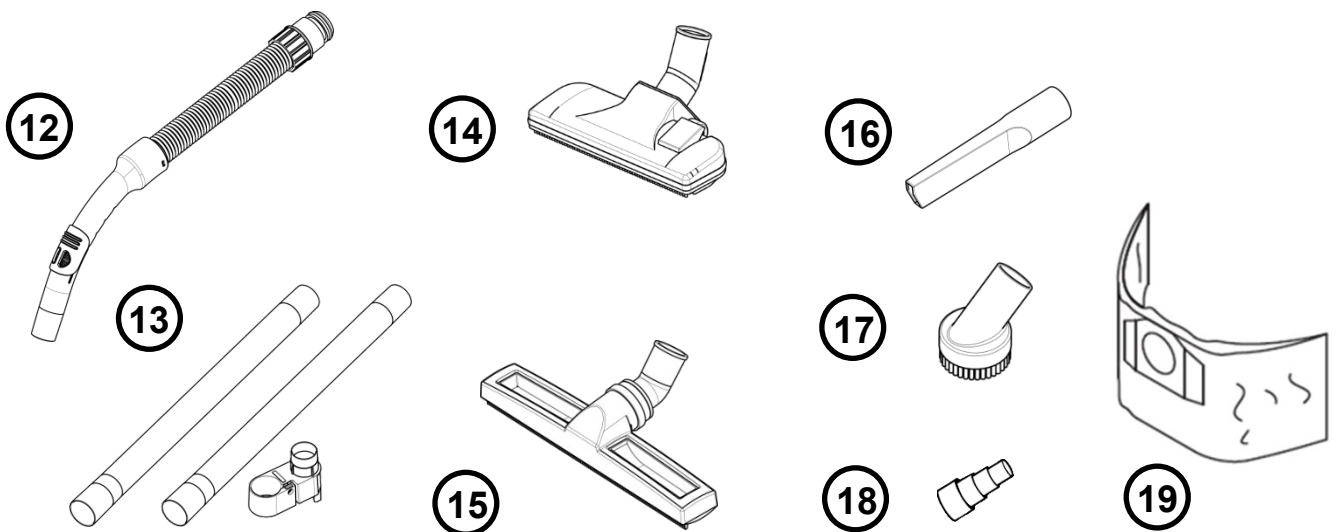


FIG. 2

Some of these accessories are packed inside the tank. **If parts are missing, contact our Customer Service Dep.**

3. FIRST TIME SET UP INSTRUCTIONS

Read chapter 1 – **IMPORTANT SAFETY INSTRUCTIONS** of this manual thoroughly before setting up and using this vacuum cleaner.

3.1 ACCESSORIES

The nozzles and accessories for the machine is during shipping stored in tank. To open the tank open the clamps and take off the head. Take out the items and put on the head again. Secure the head with the clamps.

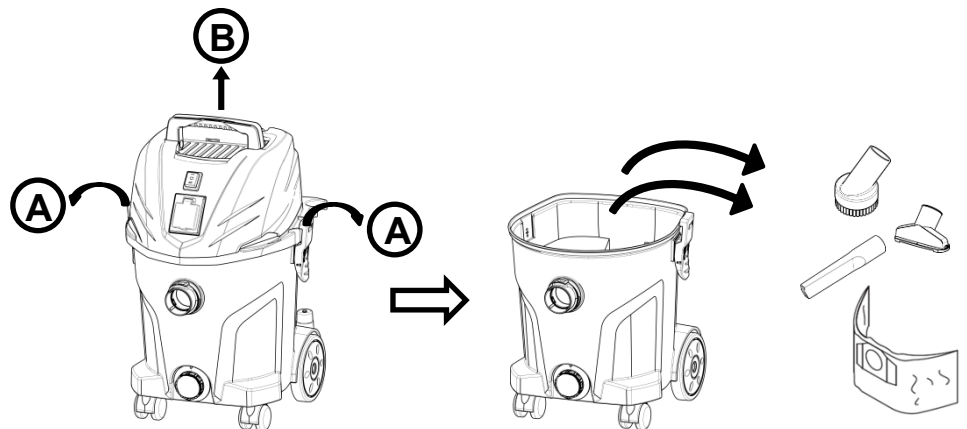


FIG. 3

See chapter 6 where to store the accessories on the machine.

4. USING THE VACUUM CLEANER

Read chapter 1 – **IMPORTANT SAFETY INSTRUCTIONS** of this manual thoroughly before setting up and using this vacuum cleaner.

4.1 ASSEMBLING THE PAPER BAG

If sucking up dry dust an optional dust bag can be used to collect the dust and ease the disposal. To insert the dust bag take off the head (see also figure 3). Insert the dustbag like shown on figure 4. Put on the head again and secure the head with the clamps.

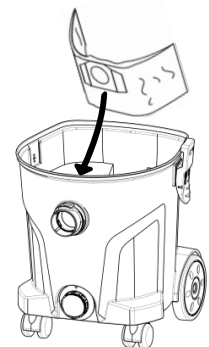


FIG. 4

4.2 DRY OR WET FLOOR SUCTION

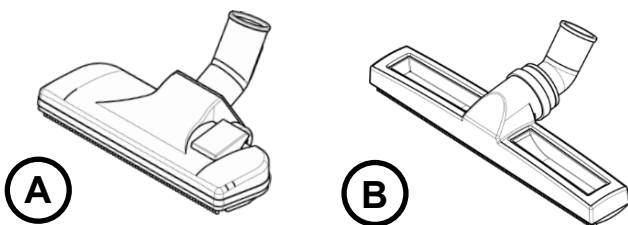


FIG. 5

To suck up dry dust and debris use the dust brush **(A)** with the bristles rim.

To suck up liquids use the squeegee brush **(B)**.

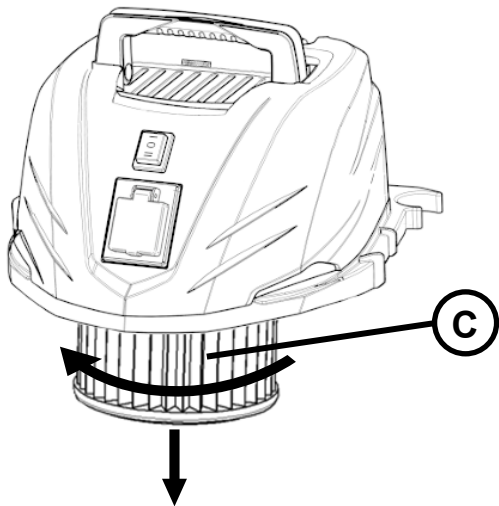


FIG. 6



NOTE! When vacuuming liquids it is necessary to remove the filter:
remove the engine head (see also figure 3), rotate the filter until it unlocks and remove it from its seat, reassemble the head.

4.3 VACUMING - INSERTING AND REMOVING THE HOSE

To vacuum insert the hose **(A)** into the suction inlet **(B)**. To remove the hose press the button **(C)** twist and pull in one movement.

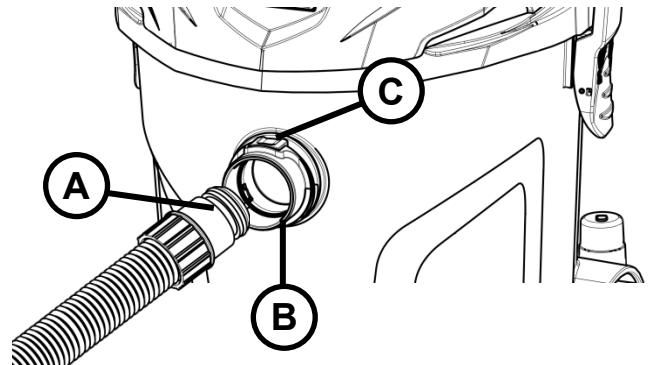


FIG. 7

4.4 BLOWING - INSERTING AND REMOVING THE HOSE

The machine can also be used for blowing. In some cases it is easier first to blow the debris away and then afterwards collect it.

To use the blow function insert the hose into the blow outlet **(A)** in the same way for the suction inlet.

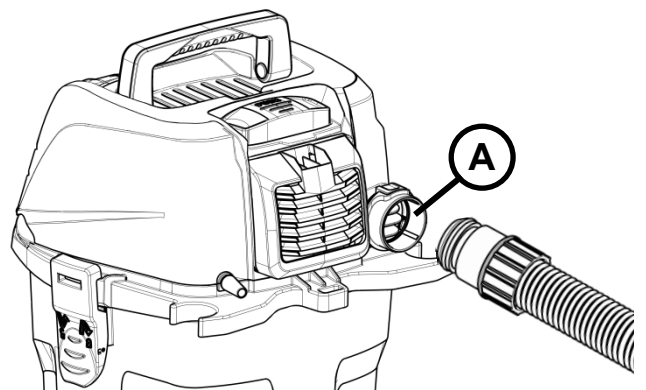


FIG. 8

4.5 TURNING THE MACHINE ON

The machine is turned on/off by pressing the start/stop button (A).

To use the optional socket (B) see next chapter.

The aspirator can be equipped with an indicator (C) which indicates when the pressure decreases. This can be due to the filter being clogged and needs to be cleaned (see later chapter) or the bag is full and need to be replaced.

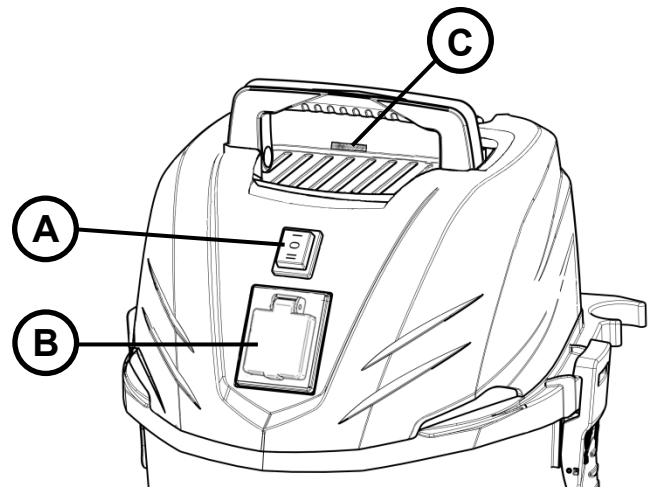


FIG. 9

4.6 ADDITIONAL SOCKET AND AUTO START/STOP

The machine is equipped with an additional socket that can be used in connecting with a power tool. Connect the power tool to the socket (A). Remove the handtube and fix the conical adapter (B). Insert the conical adapter to the power tool (C). Turn the machine to AUTO mode with the switch (D). The machine will then start, when the power tool is turned on and stop with a delay (in order to empty the hose) when the power tool is turned off.

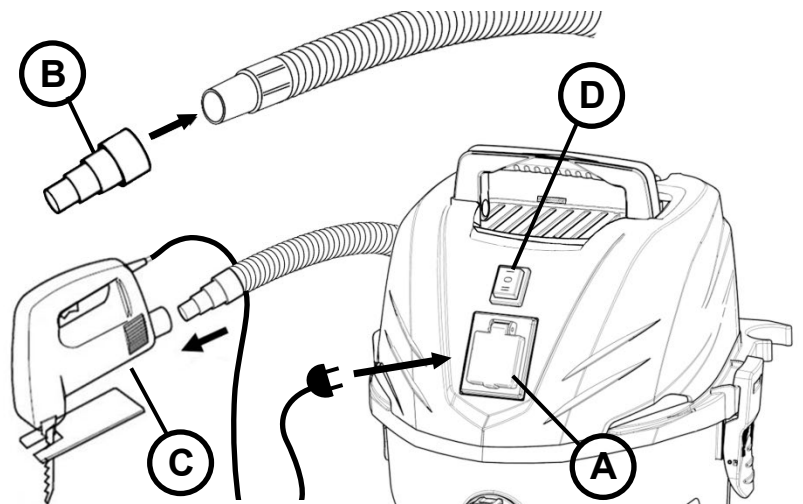


FIG. 10



! WARNING - Do not operate without filter basket and float, as they prevent liquid from entering the impeller and damaging the motor. Do not suck up any liquids without a sponge filter installed.



! WARNING - To reduce the risk of back injury or falls, do not lift a vacuum cleaner heavy with liquid or debris. Scoop or drain enough contents out to make the vacuum cleaner light enough to lift in a comfortable manner.

NOTE: IF ACCIDENTALLY TIPPED OVER, THE VACUUM COULD LOSE SUCTION. IF THIS OCCURS, PLACE VAC IN UPRIGHT POSITION AND TURN SWITCH OFF. THIS WILL ALLOW THE FLOAT TO RETURN TO ITS NORMAL POSITION, AND YOU WILL BE ABLE TO CONTINUE OPERATION.



! WARNING - Read the Safety Warnings and Instructions concerning the types of wet materials that cannot be vacuumed with this product.

! **DANGER** - This equipment incorporates parts such as switches, motors or the like that tend to produce arcs or sparks that can cause an explosion. Do not pick up flammable, combustible, or hot materials. Do not use around explosive liquids or vapors, as electrical devices produce arcs or sparks which can cause a fire or explosion - do not use at filling stations or anywhere gasoline is stored or dispensed.



NOTE!

This vacuum cleaner has a built in thermal overload protector to protect the motor from high temperatures. This can occur under heavy use. If the motor temperature shuts off during operation, turn the switch off and allow the motor to cool for 5 minutes. Turn switch on and resume operation.



! **WARNING** - Make sure that the power tool used with the additional socket does not exceed the power indicated on the socket itself.

4.7 EMPTYING THE TANK FROM LIQUIDS

To empty the tank from liquids unscrew the plug **(A)** and remove it.

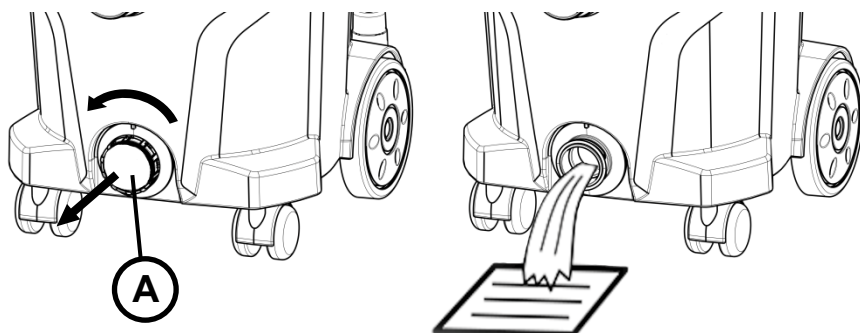


FIG. 11

4.8 EMPTYING THE TANK FROM DUST/DEBRIS

To empty the tank from dust/debris take off the head (see chapter 3.1). If using a dust bag remove the dust bag and insert a new.

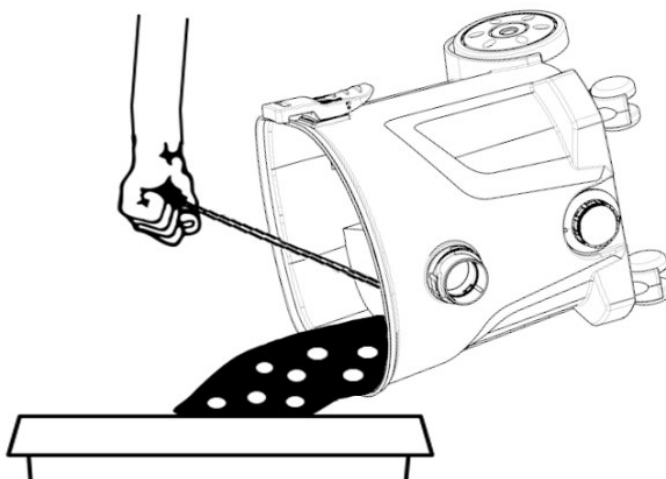


FIG. 12

5. FILTER CLEANING

When sucking fine dust the filter will eventually get clogged and suction will go down. The filter therefore needs to be cleaned to restore suction.

5.1 MANUAL FILTER CLEANING

The filter can be manually cleaned in the following way: turn the filter **(A)** until it unlocks and remove it from the head, clean the filter under cold water **(B)**. Let it dry **(C)** until completely dry. Reassemble the filter.

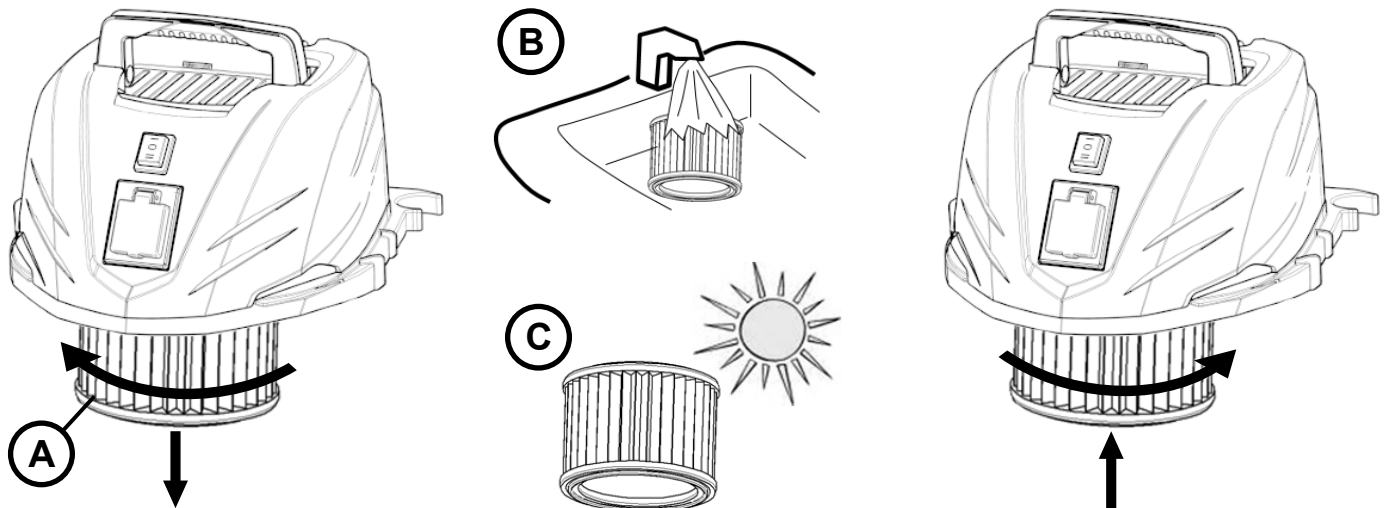


FIG. 13

5.2 SEMI AUTOMATIC FILTER CLEANING

The machine is equipped with a semi-automatic filter cleaning system.

Close the suction inlet **(A)** by placing your hand on the end of the handtube or by inserting it into the seat **(B)**.

After closing the inlet wait 2-3 seconds until the maximum underpressure has been built up. Press the filter cleaning button **(C)** 5 times fast after each other. This action will clean the filter and restore suction performance.

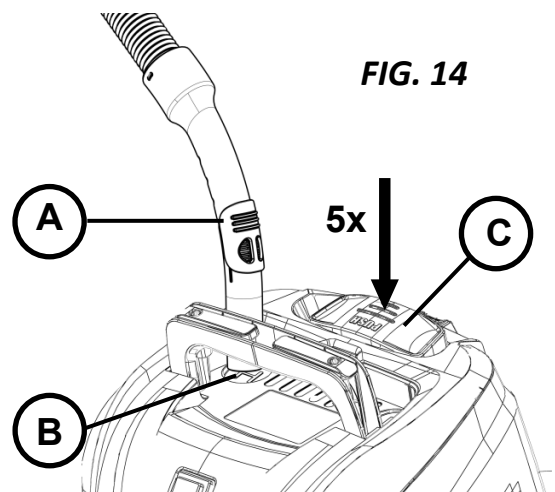


FIG. 14

6. DURING OR AFTER USE, STORAGE

Store vacuum cleaner INDOOR in a room above 0°C and store in a dry room.

Before storing the vacuum cleaner, clean the filter with semi-automatic system (see paragraph 5.2).

Wrap the power cable around the handle. The hoses and other accessories can be stored in the accessory holders located on the back of the machine.

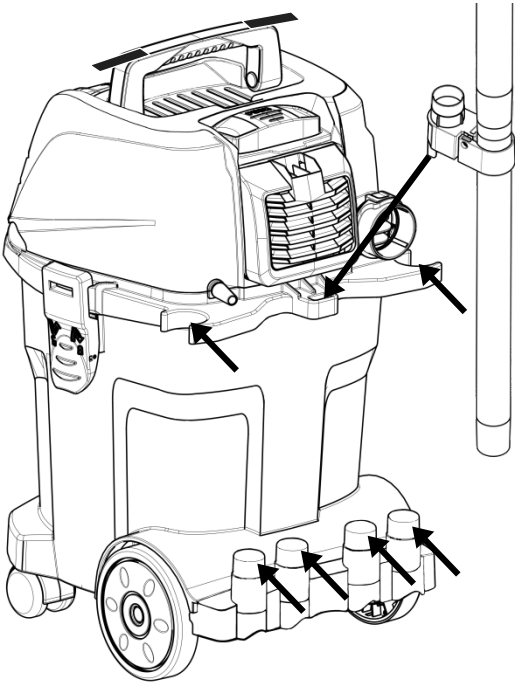


FIG. 15



WARNING! When not in use: disconnect the power cord from the electrical outlet.

7. TROUBLE SHOOTING

Repair or service of electrical components such as cord or motor, must only be carried out by an authorized service center.

Vacuum does not start:	<ul style="list-style-type: none"> • Check to see that the plug is correctly inserted in the electrical outlet and that there is power at receptacle. • A circuit breaker may have tripped. Check the circuit breaker box. • The cord or plug may be damaged. Call the Customer Service Department to get the nearest authorized service center.
Motor does not run in automatic mode	<ul style="list-style-type: none"> • Power tool defective or not connected properly. Check that the power tool works or that the plug is inserted correctly. • The power rating of the electrical tool is too low. Note that minimum power rating is P>50W
Motor stops:	<ul style="list-style-type: none"> • A thermal overload protector will shut off the motor if the motor temperature is too high. If this occurs, turn the switch off. Wait 10 minutes for the motor to cool. Turn switch on and resume operation.
Suction power is reduced:	<ul style="list-style-type: none"> • The tank may be full and needs to be emptied. See chapter 4.7 and 4.8. • The wands, hose and nozzle may be clogged and need to be cleaned. • Any of the above may be damaged and need to be replaced. • The filter may be clogged. Use the Filter Cleaning System (see chapter 5), to clean the filter. • Check the filter and replace it, if it's necessary. Make sure that is installed properly. • The hose connection is loose and need to be tightened.
Static shocks:	<ul style="list-style-type: none"> • If the environment is too dry, add moisture to air. If possible, use a humidifier. • In case the relative humidity of air is low, please note that this situation will not have any effect on use of the vacuum cleaner.

8. DECLARATION OF CONFORMITY

2006/42/CE - 2014/30/UE - 2011/65/CE

We:

IP Cleaning S.r.l.
Viale Treviso, 63
30026 Summaga - Portogruaro (VE) – Italy

declare under our responsibility that the product

<p>KLEEN 1/20 TC W&D P KP 1/20 CLEAN TC</p> <p>220-240 V / 50-60 Hz 1400 W nom / 1600 W max</p>	<p>KLEEN 1/30 TC W&D S KS 1/30 CLEAN TC</p> <p>220-240 V / 50-60 Hz 1400 W nom / 1600 W max</p>
---	---

to which this declaration relates is in conformity with the following standards or other normative document(s):

- IEC 60335 -1:2010+A1:2013
- IEC 60335 - 2 - 69:2016
- EN 62233: 2008
- EN 55014 - 1:2006+A1:2009+A2:2011
- EN 55014 - 2:1997+A1:2001+A2:2008
- EN 61000 - 3 - 2: 2014
- EN 61000 - 3 - 3: 2013

**following the provisions of the Directives: 2006/42/EC (Machinery directive)
2014/30/UE (Electromagnetic compability EMC) 2011/65/EC (Directive RoHS II)**

Person authorised to compile the technical file



IP Cleaning S.r.l.
Viale Treviso, 63
30026 Summaga - Portogruaro (VE) – Italy

Legal Representative
dott. Pietro Annibaldi Corsano



01/06/2021

9. PRODUCT SPECIFICATIONS

Model name	KLEEN 1/20 TC W&D P KP 1/20 CLEAN TC	KLEEN 1/30 TC W&D S KS 1/30 CLEAN TC
Voltage	220-240V	220-240V
Frequency	50Hz/60Hz	50Hz/60Hz
Nominal Power	1400 W	1400 W
Additional socket Power	1800 W	1800 W
Maximum Power	3200 W	3200 W
Protection Class	I	I
Type of protection	IPX4	IPX4
Tank volume	20L	30L
Vibration	$a_h < 2.5 \text{ m/s}^2$	$a_h < 2.5 \text{ m/s}^2$
Pressure level at a distance of 1 m, EN 60704-1		
Power level		
		

CE



MANUALE DI ISTRUZIONI

(Istruzioni originali)



KLEEN 1/20 TC W&D P

KLEEN 1/30 TC W&D S

KP 1/20 CLEAN TC

KS 1/30 CLEAN TC



IPC

CARO CLIENTE

Congratulazioni per l'acquisto del tuo nuovo aspiratore per materiali secchi/liquidi.



Prima di utilizzare l'apparecchio per la prima volta, accertati di aver letto attentamente questo documento e tieni le istruzioni a portata di mano.

UTILIZZO PREVISTO

Questo aspirapolvere è stato progettato, sviluppato e rigorosamente testato per funzionare in modo efficiente e sicuro qualora sia utilizzato in modo proprio e in accordo con le istruzioni riportate su questo manuale. Questo aspirapolvere è per uso commerciale (hotel, scuole, ospedali, fabbriche, uffici e per noleggio) o domestico. Infortuni dovuti al cattivo utilizzo possono essere evitati da chi utilizza la macchina.



ATTENZIONE: LEGGERE E SEGUIRE TUTTE LE ISTRUZIONI DI SICUREZZA.

Questa macchina è adatta per aspirare polvere non infiammabile secca e liquidi. Qualsiasi altro utilizzo è da considerarsi improprio. Il produttore declina ogni responsabilità per qualsiasi danno risultante da un uso improprio. Il rischio di tale uso nasce esclusivamente dall'utilizzatore. L'uso proprio include anche il funzionamento proprio, manutenzione e riparazioni specificati dal fornitore.



! ATTENZIONE: LEGGERE LE ISTRUZIONI DI SICUREZZA PRIMA DI UTILIZZARE QUESTO ASPIRATORE. TENERE PER FUTURI RIFERIMENTI.

! ATTENZIONE: Non utilizzare mai questa unità quando materiali infiammabili o vapori sono presenti, questo perché gli apparecchi elettrici producono scintille che possono causare incendi o esplosioni. NON LASCIARE MAI L'APPARECCHIO FUNZIONANTE INCUSTODITO!



! ATTENZIONE: Indossare sempre le protezioni per gli occhi per evitare che i detriti che rimbalzano possano causare gravi lesioni.

1. ISTRUZIONI DI SICUREZZA IMPORTANTI

1.1 ISTRUZIONI PER L'UTILIZZO:

L'apparecchio deve:

- Essere usato solamente da persone che siano state istruite riguardo il suo corretto utilizzo ed esplicitamente incaricate dell'utilizzo dell'apparecchio.
- Essere messo in funzione solo se supervisionato.
- Questo apparecchio non è inteso per l'uso da parte di persone (bambini inclusi) con ridotte capacità fisiche, sensoriali o mentali, o senza esperienza e conoscenza.
- I bambini devono essere supervisionati in modo tale che non giochino con l'apparecchio.
- Rispettare sempre le procedure di sicurezza.
- Non utilizzare mai l'aspiratore sprovvisto di filtro.
- Spegnerne la macchina e staccare la presa dall'alimentazione nelle seguenti situazioni:
 - Prima di pulire e fare manutenzione
 - Prima di sostituire i componenti
 - Quando il lavoro è terminato
 - Se dovesse svilupparsi schiuma o fuoriuscire del liquido

Oltre alle istruzioni per l'uso e la vincolante norma di prevenzione degli infortuni valida nel paese di utilizzo, è necessario osservare le norme riconosciute per la sicurezza e l'uso proprio.

1.2 AVVERTENZE IMPORTANTI:

- Per ridurre il rischio di incendi, shock elettrico o infortuni, si prega di leggere e seguire tutte le istruzioni di sicurezza e la segnaletica di sicurezza prima dell'uso. Questo aspirapolvere è stato progettato per essere sicuro quando utilizzato in modo proprio, come specificato in questo manuale. Se dovesse verificarsi un danno alle parti elettriche o meccaniche, l'apparecchio e/o i ricambi devono essere riparati da assistenza tecnica qualificata oppure dal produttore, prima che l'apparecchio sia utilizzato, in modo tale da evitare ulteriori danni alla macchina oppure danni fisici all'utilizzatore.
- Non lasciare la macchina incustodita se il cavo di alimentazione è inserito in una presa. Disconnettere dalla presa se non si sta utilizzando l'apparecchio e prima delle operazioni di manutenzione.
- Non utilizzare se il cavo o la presa sono danneggiati. Per staccare la spina dalla presa tirare la presa e non il cavo. Non toccare, non collegare all'alimentazione, non pulire l'apparecchio con le mani bagnate. Spegner tutti gli interruttori prima di scollegare l'alimentazione.
- Non tirare o trasportare la macchina tirando il cavo, non utilizzare il cavo come se fosse una maniglia, o tirare il cavo in prossimità di bordi taglienti o angoli. Non schiacciare il cavo. Tenere il cavo lontano da superfici riscaldate.
- Tenere mani, capelli, vestiti e tutte le altre parti del corpo lontane dalle aperture e dalle parti in movimento.
- Non mettere nessun oggetto contro al bocchettone o altre aperture. Non utilizzare se le aperture sono bloccate. Tenere le aperture libere da polvere, pelucchi, capelli o qualsiasi altra cosa che possa impedire il flusso dell'aria
- **ATTENZIONE:** Questa macchina non è adatta per raccogliere polveri pericolose. Non aspirare liquidi combustibili o infiammabili, per esempio benzina, o utilizzare in aree dove possano essere presenti.
- Non aspirare tizzoni ardenti o fumanti come sigarette, fiammiferi o ceneri ancora calde.
- Prestare particolare attenzione quando si utilizza sulle scale.
- Non utilizzare se i filtri non sono montati.
- Se l'aspiratore non funziona correttamente, se è caduto o danneggiato, se è stato lasciato all'aperto o se è caduto nell'acqua, spedirlo al centro di assistenza.
- Se liquido o schiuma dovessero fuoriuscire dalla macchina, spegnere immediatamente l'apparecchio.
- L'aspiratore non deve essere utilizzato come una pompa per i liquidi. Deve essere utilizzato per aspirare aria mista ad acqua.
- Connettere l'aspiratore ad un'appropriata rete con messa a terra. La presa di corrente della rete e la prolunga devono avere una messa a terra adeguata.
- Assicurarsi che sul posto di lavoro ci sia un'adeguata ventilazione.
- Non utilizzare l'apparecchio come scala o come gradino. Potrebbe ribaltarsi e danneggiarsi.
- Non aspirare mai i seguenti materiali: gas combustibili o esplosivi, particelle di polvere o liquidi reattivi, particelle di metalli reattivi (come alluminio, magnesio, zinco) in combinazione con detergenti altamente acidi o alcalini, acidi forti non diluiti, sostanze alcaline o solventi organici come carburanti, diluenti, acetone, oli combustibili o prodotti simili.
- Pericolo di incendio. Non aspirare nessun oggetto incandescente o ardente.
- Non aspirare liquidi infiammabili o combustibili come benzina o particelle di polvere reattiva; non aspirare in aree dove possano essere presenti.

- Non utilizzare l'aspiratore come dispositivo per spruzzare liquidi come per esempio vernici ad olio, smalti, detergenti casalinghi, eccetera.
- Non tentare di aspirare ceneri tiepide o calde. La temperatura massima delle ceneri aspirate deve essere 102°F/40°C.
- Non aspirare materiali tossici, cancerogeni o combustibili, come per esempio amianto, arsenico, bario, berillio, piombo, pesticidi altre sostanze che possano mettere in pericolo la salute.
- Per evitare fenomeni di combustione spontanea, svuotare il fusto dopo ogni utilizzo.
- NOTA: Possono verificarsi scariche di elettricità statica se l'ambiente è troppo secco. Questo non influirà sull'utilizzo dell'aspiratore. Per evitare scosse, aggiungere umidità all'aria con un umidificatore.
- RESTARE VIGILI e usare il buonsenso. Non utilizzare l'aspiratore sotto l'effetto di droghe, alcool, medicinali, o se si è stanchi o distratti.
- Non lasciare il cavo di alimentazione svolto sul pavimento una volta finite il lavoro. Potrebbe diventare un pericolo di inciampo.
- Se il cavo di alimentazione è danneggiato, deve essere sostituito dal produttore, o da assistenza tecnica specializzata, in modo tale da evitare pericoli.
- Non permettere che l'aspiratore sia utilizzato come giocattolo. Particolare attenzione deve essere prestata quando utilizzato da bambini o in prossimità di bambini.
- Tenere i materiali dell'imballo lontani dai bambini. Rischio di soffocamento.
- Proteggere l'unità dalla pioggia. Riporre in ambienti chiusi.
- ATTENZIONE: Questa macchina non va utilizzata all'aperto.
- Non utilizzare l'aspiratore sotto la pioggia.
- Indossare maschere protettive quando si svuota il fusto da polveri sottili di qualsiasi tipo.
- Sconnettere l'alimentazione prima di connettere il tubo o altri accessori.
- Non lasciare incustodito l'apparecchio connesso all'alimentazione. Disconnettere dalla presa in caso di inutilizzo e prima di effettuare manutenzione.
- Connettere solo a prese munite di messa a terra. Vedere le istruzioni per la messa a terra.
- ATTENZIONE: gli operatori dovrebbero essere adeguatamente istruiti sull'utilizzo di questa macchina.
- ATTENZIONE: Pulire regolarmente il dispositivo che limita il livello dell'acqua e controllare la sua integrità.
- Il sensore di livello (galleggiante) ha la funzione di arrestare l'aspirazione quando il fusto è pieno di liquido o in caso di ribaltamento; procedere regolarmente alla sua pulizia controllando anche che non presenti danneggiamenti e sostituirlo se necessario.

1.3 APPLICABILE SOLO NEL REGNO UNITO:

Si prega di leggere le seguenti istruzioni essenziali.

Queste istruzioni sono state redatte secondo norme di efficienza e sicurezza. L'operatore deve essere istruito da un istruttore qualificato e deve capire queste istruzioni, ed essere informato su ogni normativa rilevante e su ogni legislazione in vigore nel momento dell'utilizzo.

Questa macchina da 240 V-50 Hz è equipaggiata con una spina stampata da 13A con 3 contatti. La spina è dotata di un fusibile staccabile da 13 A. Il ricambio corretto per il fusibile è identificato da un codice a colori o da un marchio. Devono essere montati solo i fusibili approvati ASTA con BS 1362. Non usare mai la spina sprovvista del porta fusibile.

Ricambi del porta fusibile sono disponibili in ogni negozio per ricambi elettrici.

1.4 TEST E PERMESSI

Test elettrici devono essere eseguiti in base a quanto previsto alle norme di sicurezza EN 62638. Questi test devono essere eseguiti ad intervalli regolari e dopo riparazioni o modifiche. L'aspiratore è stato approvato conformemente alla IEC/EN 60335-2-69.

NOTA BENE: Tutte le immagini e i disegni sono puramente indicativi.

2. PANORAMICA

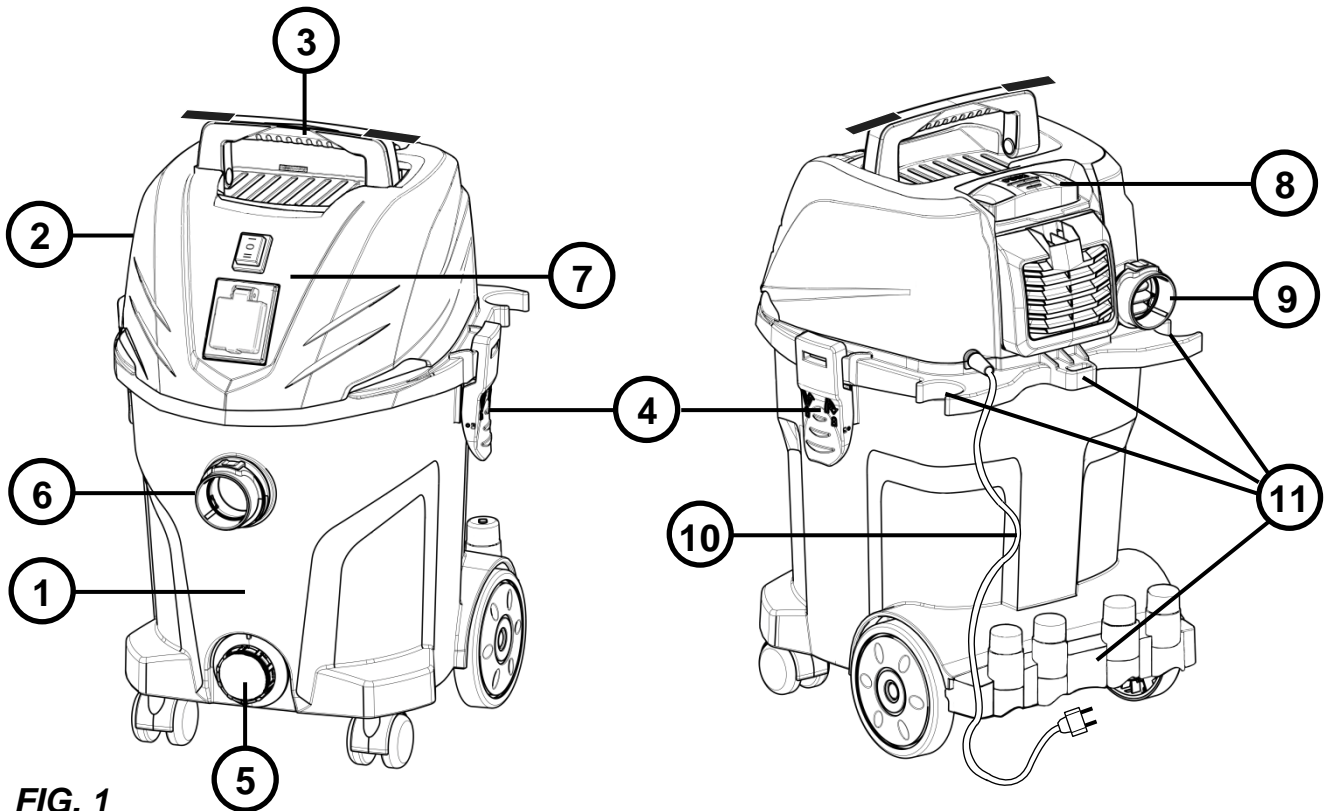


FIG. 1

- | | | |
|-------------------------------|----------------------------|----------------------|
| 1. Fusto | 8. Pulsante pulizia filtro | 15. Spazzola liquidi |
| 2. Testa | 9. Uscita aria soffiante | 16. Lancia piatta |
| 3. Maniglia | 10. Cavo e spina | 17. Pennello |
| 4. Ganci | 11. Porta accessori | 18. Adattatore |
| 5. Scarico | 12. Tubo con curvetta | 19. Sacco carta |
| 6. Bocchettone di aspirazione | 13. Tubi | |
| 7. Pannello di controllo | 14. Spazzola polvere | |

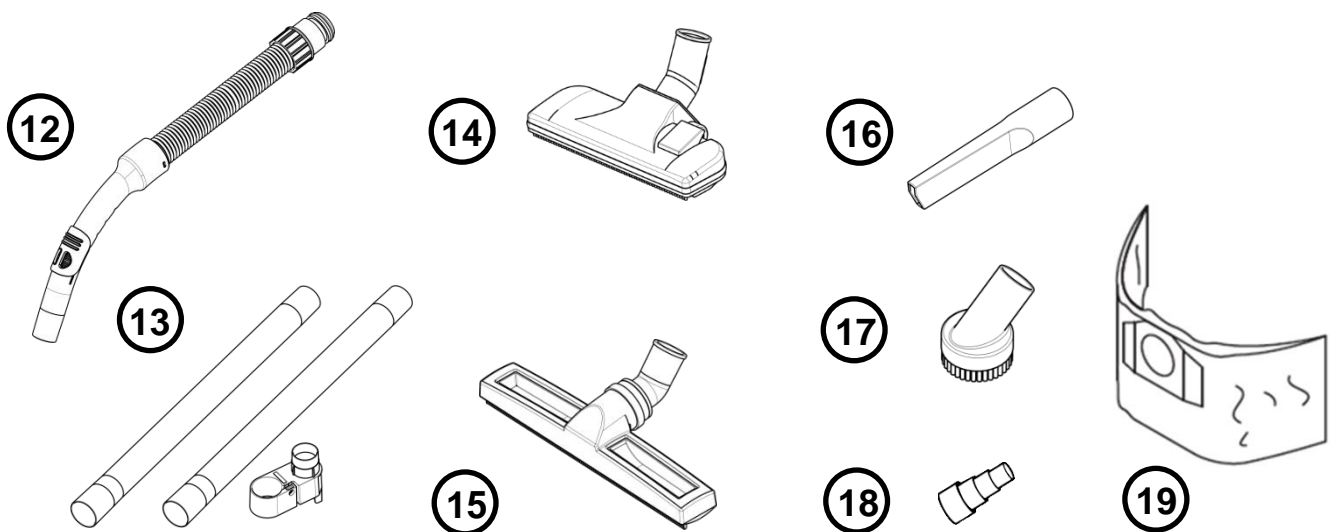


FIG. 2

Alcuni di questi accessori sono riposti all'interno del fusto. Se dovessero mancare alcuni pezzi, contattare il servizio clienti.

3. ISTRUZIONI DI INSTALLAZIONE

Leggere scrupolosamente il capitolo 1 – ISTRUZIONI DI SICUREZZA IMPORTANTI di questo manuale prima di installare e di usare questo aspiratore.

3.1 ACCESSORI

Le bocchette e gli accessori per la macchina sono riposti all'interno del fusto. Per aprire il fusto, aprire i ganci e togliere la testata. Estrarre gli accessori e rimontare la testa. Agganciare nuovamente la testata tramite i ganci.

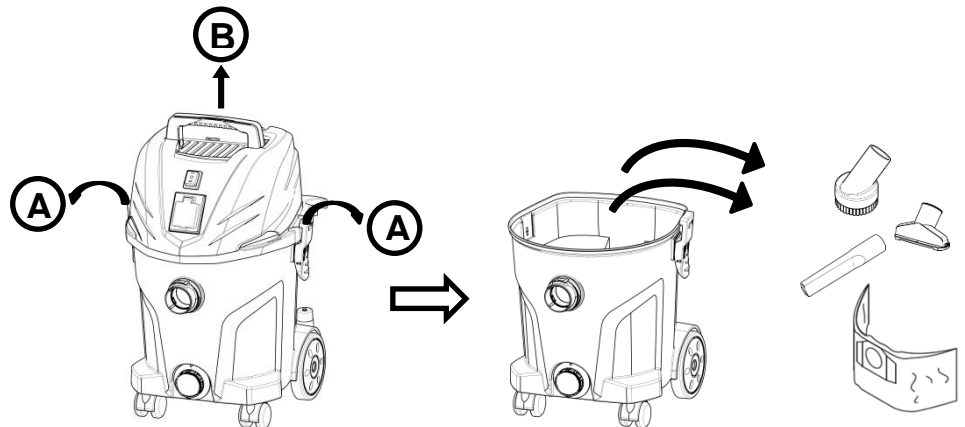


FIG. 3

Vedere il capitolo 6 per capire dove riporre gli accessori sulla macchina.

4. UTILIZZO DELL'ASPIRATORE

Leggere scrupolosamente il capitolo 1 – ISTRUZIONI DI SICUREZZA IMPORTANTI di questo manuale prima di installare e di usare questo aspiratore.

4.1 MONTAGGIO DEL SACCO CARTA

Qualora si dovesse aspirare polvere (modalità dry), è possibile montare un sacco carta (optional) per raccogliere e smaltire la polvere.

Per inserire il sacco carta togliere la testata motore (vedere anche figura 3). Inserire il sacco carta come mostrato in figura 4. Rimettere la testata e serrarla tramite i ganci.

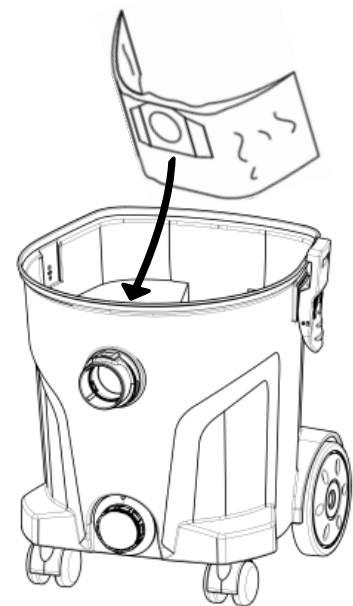


FIG. 4

4.2 ASPIRAZIONE SECCO O LIQUIDI

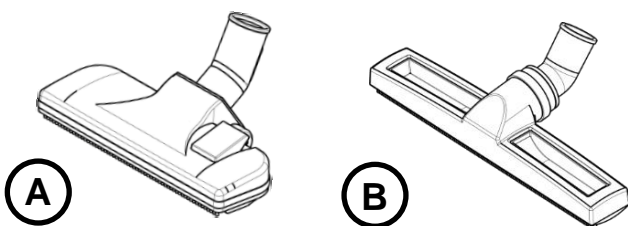


FIG. 5

Per raccogliere polvere e piccoli detriti usare la spazzola dry (A) con le setole.

Per aspirare liquidi usare la spazzola wet (B).

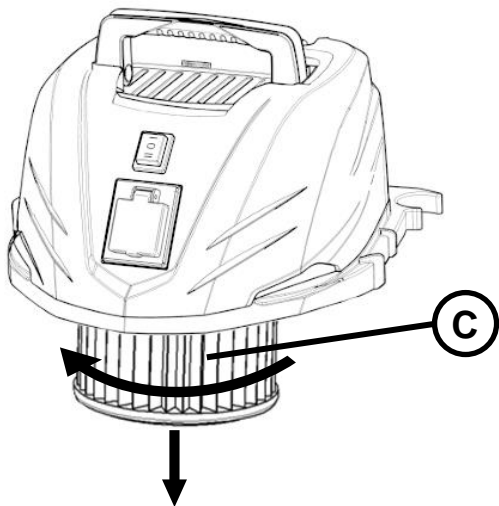


FIG. 6

Quando si aspirano i liquidi è necessario togliere il filtro: togliere la testata motore (vedere anche figura 3), ruotare il filtro fino a quando si sblocca e toglierlo dalla sua sede, rimontare la testata.

4.3 ASPIRAZIONE - INSERIRE E TOGLIERE IL TUBO

Per aspirare inserire il tubo (A) nel bocchettone di aspirazione (B). Per staccare il tubo premere il pulsante (C) svitare e tirare contemporaneamente.

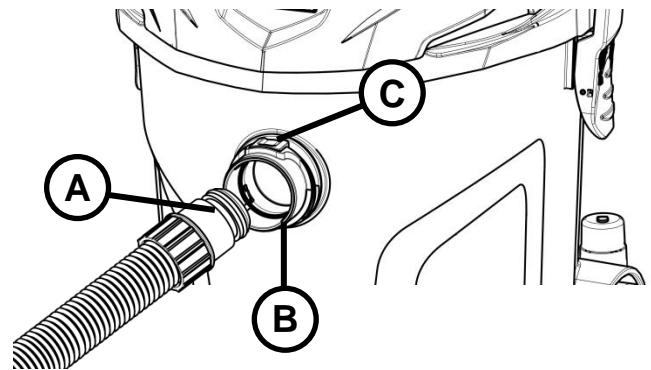


FIG. 7

4.4 FUNZIONE SOFFIANTE - INSERIRE E TOGLIERE IL TUBO

La macchina può essere utilizzata anche in funzione soffiante. A volte è più facile prima accumulare i detriti tramite la funzione soffiante, e poi aspirarli. Per utilizzare l'aspiratore in modalità soffiante inserire il tubo nell'uscita soffiante (A).

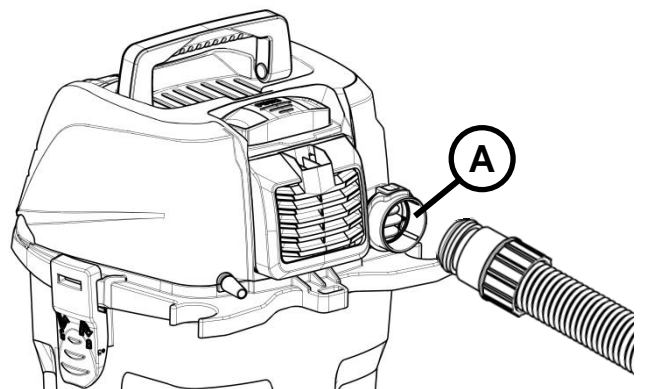


FIG. 8

4.5 ACCENSIONE

L'aspiratore può essere acceso o spento tramite l'interruttore on/off (A).

Per utilizzare la presa supplementare (B) vedere il prossimo capitolo.

L'aspiratore può essere munito di indicatore (C), che indica quando la pressione diminuisce. Questa situazione si crea quando il filtro è intasato e deve essere pulito (vedere capitolo 5), oppure il sacco è pieno e deve essere sostituito.

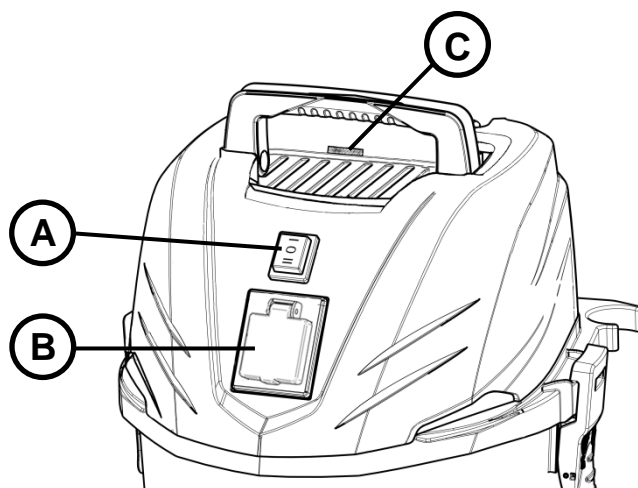


FIG. 9

4.6 APPARECCHIO CON PRESA SUPPLEMENTARE E FUNZIONE START/STOP AUTOMATICA

L'aspiratore è equipaggiato di una presa supplementare a cui si può collegare un utensile elettrico. Collegare l'utensile alla presa (A), togliere la curvetta e collegare l'adattatore conico (B) all'utensile (C). Mettere l'apparecchio in modalità AUTO tramite l'interruttore (D). In questo caso l'apparecchio si accenderà quando l'utensile verrà acceso, e si spegnerà con un leggero ritardo quando l'utensile verrà spento (per permettere lo svuotamento del tubo).

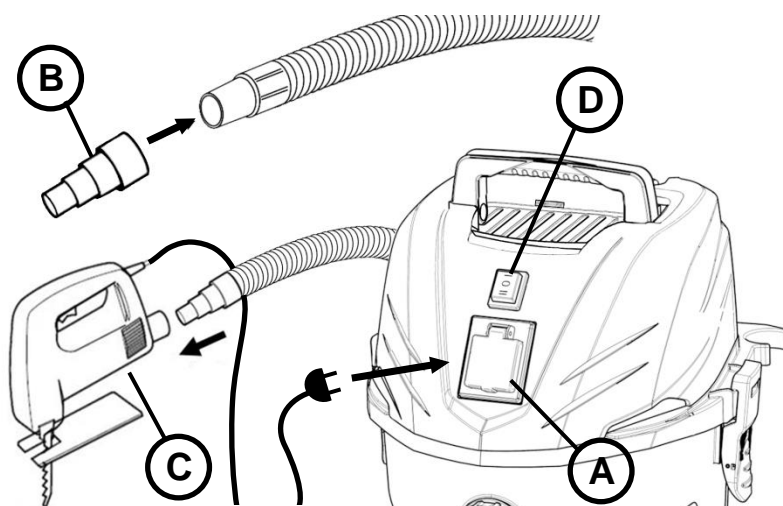


FIG. 10





! ATTENZIONE - Non mettere in funzione l'aspiratore se i filtri e il galleggiante non sono nella loro sede, in quanto impediscono ai liquidi di filtrare nella testata e di danneggiare il motore.





! ATTENZIONE - Per ridurre il rischio di infortuni o cadute, non alzare l'aspiratore se il fusto è carico di liquidi o residui. Svuotare il fusto del suo contenuto in modo tale da rendere l'aspiratore abbastanza leggero, per poi poterlo alzare in tutta sicurezza.

NOTA: SE ROVESCIATO ACCIDENTALMENTE, L'ASPIRATORE PUO' PERDERE PARTE DELLA SUA POTENZA ASPIRANTE. IN QUESTO CASO RIPORTARE PRIMA L'ASPIRATORE IN POSIZIONE VERTICALE, POI PREMERE IL PULSANTE DI SPEGNIMENTO. QUESTO PERMETTERA' AL GALLEGGIANTE DI TORNARE NELLA SUA NORMALE POSIZIONE, E POTRETE CONTINUARE A LAVORARE.

 **! ATTENZIONE** - Leggere le istruzioni di sicurezza e le istruzioni relative al tipo di materiali che non possono essere aspirati con questo prodotto.

 **! PERICOLO** - Questo apparecchio comprende parti quali interruttori e motori che possono produrre archi elettrici o scintille. Non aspirare materiali caldi, infiammabili o combustibili. Non utilizzare in prossimità di liquidi o vapori esplosivi, in quanto apparecchi elettrici possono produrre archi o scintille, che possono causare incendi o esplosioni - non utilizzare nelle stazioni di servizio o in luoghi in cui viene stoccata la benzina.

 Questo aspiratore è dotato di una protettore termico che protegge il motore da alte temperature. Questo può intervenire in caso di uso intensivo. Se il motore si spegne durante **NOTE!** l'utilizzo, premere l'interruttore ON/OFF e lasciarlo spento 5 minuti, in modo tale da permettere al motore di raffreddarsi. Dopodiché è possibile accendere la macchina e riprendere il lavoro.

 **! ATTENZIONE** - Assicurarsi che l'elettro-utensile utilizzato con la presa supplementare non superi la potenza riportata sulla presa stessa.

4.7 SVUOTARE IL FUSTO DAI LIQUIDI

Per svuotare il fusto dai liquidi, svitare il tappo (A) e rimuoverlo completamente.

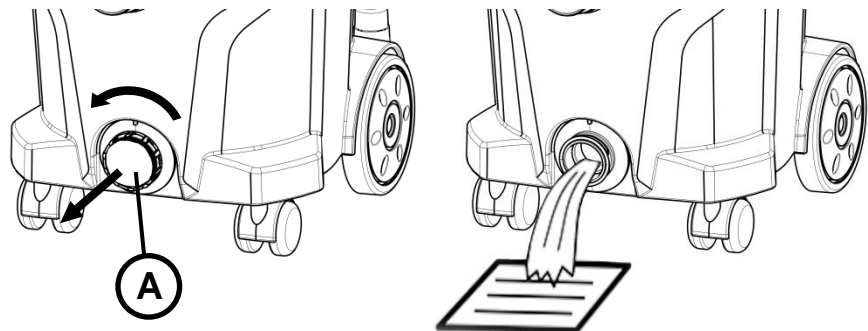


FIG. 11

4.8 SVUOTARE IL FUSTO DA POLVERE/RESIDUI

Per svuotare il fusto da polvere e detriti togliere la testata (vedi capitolo 3.1). Se è montato un sacco carta toglierlo e montarne uno nuovo.

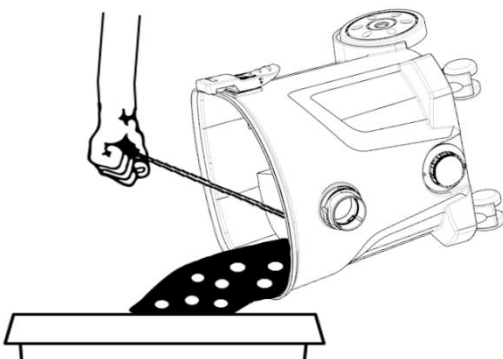


FIG. 12

5. PULIZIA FILTRI

Quando si aspira polvere fine il filtro tende ad ostruirsi e il potere aspirante diminuisce. E' quindi necessario pulire il filtro.

5.1 PULIZIA FILTRI MANUALE

Il filtro può essere pulito manualmente nel seguente modo: ruotare il filtro **(A)** fino a quando si sblocca e toglierlo dalla testata, pulirlo con dell'acqua fredda **(B)**. Lasciare che asciughi completamente **(C)**. Rimontare il filtro.

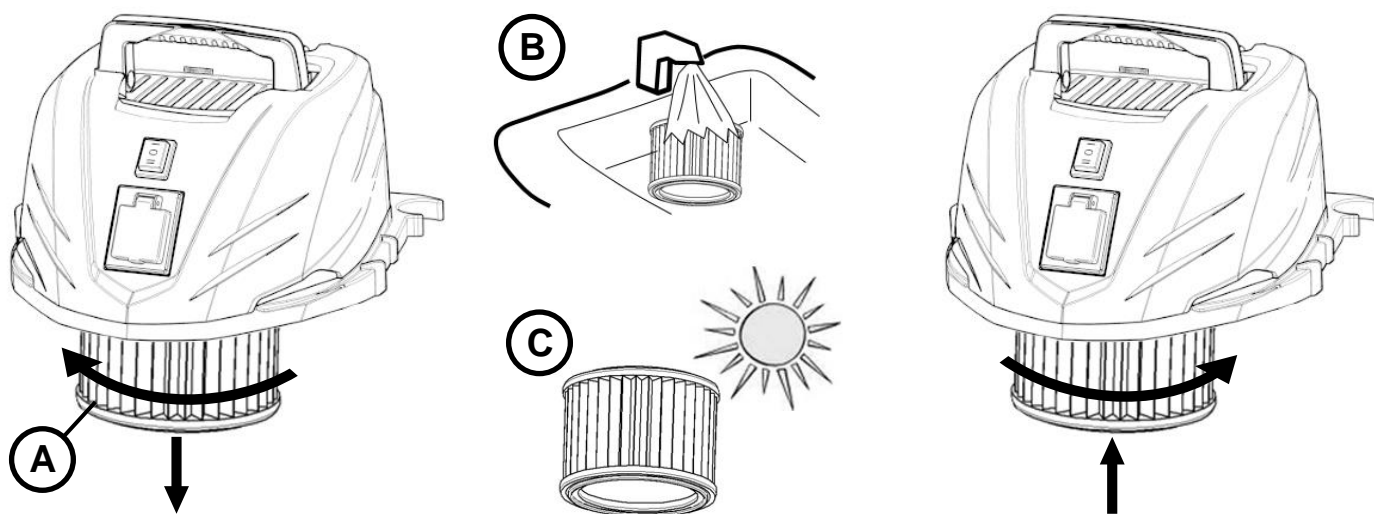


FIG. 13

5.2 PULIZIA FILTRI SEMI-AUTOMATICA

La macchina è equipaggiata di sistema di pulizia semi-automatico del filtro.

Chiudere il bocchettone chiudendo l'apertura della curvetta o del tubo **(A)** ponendo una mano sull'estremità della bocchetta oppure inserendo la curvetta nella sede **(B)**.

Attendere 2-3 secondi affinché venga raggiunta la massima depressione. Premere velocemente il pulsante di pulizia **(C)** filtro 5 volte, una dietro l'altra. Questa operazione pulirà il filtro e ripristinerà le prestazioni iniziali.

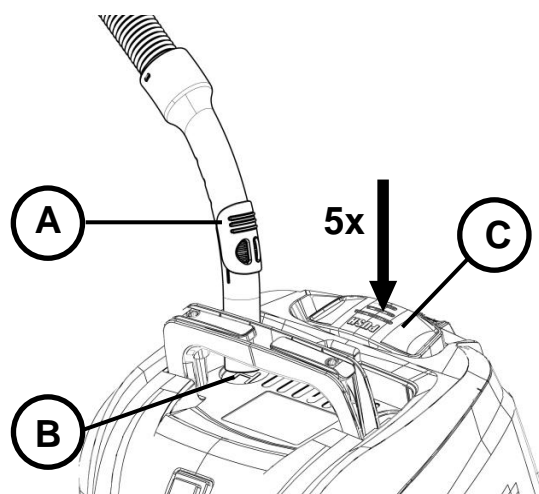


FIG. 14

6. STOCCAGGIO

Riporre l'aspiratore al chiuso, a temperature maggiori di 0°C e in un ambiente secco.

Prima di riporre l'aspiratore in stoccaggio effettuare la pulizia del filtro con il sistema semi-automatico (vedi paragrafo 5.2).

Avvolgere il cavo di alimentazione attorno alla maniglia. I tubi e gli altri accessori possono essere riposti nei porta-accessori posti sul retro della macchina.

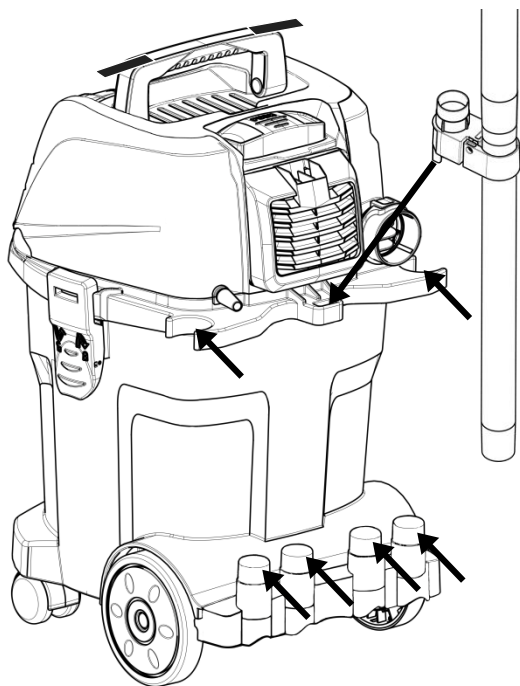


FIG. 15



ATTENZIONE! In caso di inutilizzo disconnettere il cavo di alimentazione dalla presa di corrente.

7. RISOLUZIONE PROBLEMI

La riparazione e la manutenzione di component quali il cavo di alimentazione o il motore, può essere fatta solo da un centro autorizzato.

L'aspiratore non parte	<ul style="list-style-type: none">• Controllare che la spina sia correttamente inserita nella presa e che ci sia tensione.• Un fusibile potrebbe essere saltato. Controllare la scatola dei fusibili.• La presa o il cavo di alimentazione potrebbero essere danneggiati. Chiamare l'ufficio assistenza clienti per conoscere il più vicino centro di riparazione autorizzato.
Il motore non funziona in modalità automatica	<ul style="list-style-type: none">• L'utensile elettrico potrebbe essere difettoso o non connesso correttamente. Controllare che l'utensile funzioni e che la spina sia inserita correttamente.• La potenza nominale dell'utensile è troppo bassa. La potenza nominale minima per gli accessori elettrici è di 50 Watt.
Il motore si ferma	<ul style="list-style-type: none">• L'aspiratore è dotato di una protezione termica che spegne il motore se temperature troppo alte vengono raggiunte. Se questo succede, spegnere l'interruttore, aspettare 10 minuti in modo tale da permettere al motore di raffreddarsi. Riaccendere l'apparecchio e riprendere il lavoro.
Capacità aspirante ridotta	<ul style="list-style-type: none">• Il fusto potrebbe essere pieno. Procedere con lo svuotamento (vedi capitolo 4.7 e 4.8)• La curvetta, il tubo e gli accessori potrebbero essere ostruiti. Procedere alla pulizia.• Gli elementi sopra citati potrebbero essere danneggiati. Procedere con la sostituzione.• Il filtro potrebbe essere intasato. Pulire il filtro manualmente oppure tramite sistema di pulizia (se presente - vedi capitolo 5)• Controllare l'integrità del filtro e sostituirlo se necessario. Controllare che sia montato correttamente.• Le connessioni tra tubo e macchina e tra tubo e accessori si sono allentate e devono essere serrate.
Elettricità statica	<ul style="list-style-type: none">• Se l'ambiente è troppo secco, umidificare l'aria.• Anche se l'umidità relativa dell'aria è bassa, non si avrà nessuna conseguenza sull'apparecchio.

8. DICHIARAZIONE DI CONFORMITA' CE
2006/42/CE - 2014/30/UE - 2011/65/CE

Noi:

IP Cleaning S.r.l.
Viale Treviso, 63
30026 Summaga - Portogruaro (VE) – Italy

dichiariamo sotto la nostra responsabilità che i prodotti

<p>KLEEN 1/20 TC W&D P KP 1/20 CLEAN TC</p> <p>220-240 V / 50-60 Hz 1400 W nom / 1600 W max</p>	<p>KLEEN 1/30 TC W&D S KS 1/30 CLEAN TC</p> <p>220-240 V / 50-60 Hz 1400 W nom / 1600 W max</p>
---	---

al quale si riferisce questa dichiarazione, è conforme alle seguenti norme:

- IEC 60335 -1:2010+A1:2013
- IEC 60335 - 2 - 69:2016
- EN 62233: 2008
- EN 55014 - 1:2006+A1:2009+A2:2011
- EN 55014 - 2:1997+A1:2001+A2:2008
- EN 61000 - 3 - 2: 2014
- EN 61000 - 3 - 3: 2013

in base a quanto previsto dalle Direttive: 2006/42/CE (Direttiva macchine)
2014/30/UE (Compatibilità elettromagnetica EMC) 2011/65/CE (Direttiva RoHS II)

Persona autorizzata a compilare il fascicolo tecnico

IP Cleaning S.r.l.
Viale Treviso, 63
30026 Summaga - Portogruaro (VE) – Italy

Rappresentante Legale
dott. Pietro Annibaldi Corsano



01/06/2021

9. SPECIFICHE DI PRODOTTO

Modello	KLEEN 1/20 TC W&D P KP 1/20 CLEAN TC	KLEEN 1/30 TC W&D S KS 1/30 CLEAN TC
Tensione	220-240V	220-240V
Frequenza	50Hz/60Hz	50Hz/60Hz
Potenza nominale	1400 W	1400 W
Potenza presa supplementare	1800 W	1800 W
Potenza massima	3200 W	3200 W
Classe di protezione	I	I
Tipo di protezione	IPX4	IPX4
Volume del fusto	20L	30L
Vibrazioni	$a_h < 2.5 \text{ m/s}^2$	$a_h < 2.5 \text{ m/s}^2$
Livello di pressione sonora a un metro di distanza, EN 60704-1		
Livello di potenza sonora		
		

CE



MANUEL UTILISATEUR

(Manuel d'instructions)



KLEEN 1/20 TC W&D P

KLEEN 1/30 TC W&D S

KP 1/20 CLEAN TC

KS 1/30 CLEAN TC



IPC

CHER CLIENT,

Nous vous félicitons d'avoir choisi cet aspirateur.



Avant d'utiliser l'appareil pour la première fois, assurez-vous d'avoir lu ce document et gardez-le à portée de la main pour consulter les instructions d'utilisation.

DESTINATION ET USAGE PRÉVUS

Cet aspirateur est conçu, projeté et rigoureusement testé pour fonctionner efficacement et en sécurité à condition d'être entretenu et utilisé conformément aux instructions suivantes. L'aspirateur est conçu pour usage commercial (hôtels, écoles, hôpitaux, usines, bureaux et entreprises de location) et domestique. Pour éviter tout accident dérivé d'une utilisation erronée de cet appareil, suivre les instructions à la suite.

ATTENTION : LIRE ET SUIVRE TOUTES LES INSTRUCTIONS DE SÉCURITÉ

Cet appareil est adapté au prélèvement des poussières et liquides non inflammables. Tout autre emploi est considéré comme impropre. Le fabricant décline toute responsabilité en cas de dommages dérivant d'un usage différent de celui auquel l'appareil est destiné. L'utilisateur est le seul responsable des risques d'une telle utilisation. Une utilisation correcte inclut également un fonctionnement, un service et des réparations conformes aux spécifications du fabricant.



! ATTENTION: LIRE CES IMPORTANTES INSTRUCTIONS D'UTILISATION AVANT DE SE SERVIR DE CET ASPIRATEUR. CONSERVER POUR CONSULTATION FUTURE

! DANGER: Ne jamais employer cet appareil en présence de matériaux inflammables ou de vapeurs, car les appareils électriques produisent des arcs ou des étincelles pouvant provoquer un incendie ou une explosion.

NE JAMAIS FAIRE FONCTIONNER CET APPAREIL SANS SURVEILLANCE :



! ATTENTION: Toujours porter des lunettes de sécurité pour éviter que des pierres ou des débris n'atteignent les yeux ou le visage, risquant de provoquer des blessures graves.

1. IMPORTANTES INSTRUCTIONS DE SÉCURITÉ

1.1 MODE D'EMPLOI:

L'appareil doit:

- être utilisé uniquement par des personnes suffisamment instruites sur son utilisation correcte et autorisées à le faire
- être utilisé uniquement sous surveillance
- Cet appareil n'est pas conçu pour être utilisé par des personnes aux capacités physiques, sensorielles ou mentales réduites, ou manquant d'expérience ou insuffisamment informées.
- Les enfants doivent être surveillés afin de s'assurer qu'ils ne jouent pas avec l'appareil.
- N'utiliser pas de techniques de travail à risque.
- Ne jamais utiliser l'aspirateur sans filtre.
- Éteindre l'appareil et débrancher le fil principal dans les situations suivantes :
 - Avant de le nettoyer et de faire des opérations d'entretien
 - Avant de remplacer un composant
 - Avant de modifier l'appareil
 - Si de la mousse se développe ou du liquide sort

Outre les instructions d'emploi et les règles de prévention des accidents en vigueur dans le pays d'utilisation, observer les règles internationalement reconnues en matière de sécurité et d'utilisation correcte.

1.2 AVERTISSEMENTS IMPORTANTS:

- Pour réduire les risques de feu, électrocution ou blessure, nous vous prions de lire et suivre toutes les instructions de sécurité et les mises en garde avant emploi. Cet aspirateur est considéré comme sûr à condition de respecter les En cas d'avarie des éléments électriques ou mécaniques, l'aspirateur et/ou les accessoires doivent être réparés par un service d'assistance compétent ou par le fournisseur afin d'éviter des dégâts ultérieurs à l'appareil et des lésions à l'utilisateur.
- Ne jamais laisser l'appareil branché sans surveillance. Le débrancher de la prise de courant quand il n'est pas utilisé et avant toute opération d'entretien.
- Ne pas l'utiliser si le fil ou la prise est abimé. Pour débrancher, ne pas tirer sur le fil, mais agir sur la prise. Ne pas manipuler la prise ni l'appareil avec les mains mouillées. Éteindre toutes les commandes avant de débrancher.
- Ne pas tirer ni suspendre par le fil, ne pas utiliser le fil comme une poignée, ne pas coincer le fil dans les portes ni le tirer en le frottant contre des angles ou des coins. Ne pas passer sur le fil avec l'aspirateur. Tenir le fil loin de toute surface chaude.
- Tenir cheveux, vêtements, doigts et toutes les parties du corps hors de portée des parties en mouvement ou ouvrantes.
- N'introduire aucun objet dans les ouvertures, n'utiliser jamais l'appareil avec l'ouverture obstruée. Laisser les ouvertures dégagées de tout amas de poussières, cheveux, fils ou chiffons et de tout autre matériau en mesure de réduire le flux d'air.
- ATTENTION : Cet appareil n'est pas conçu pour l'aspiration de poussières dangereuses.
- Ne pas l'utiliser pour aspirer des liquides inflammables ou combustibles tels que de l'essence, ne pas le faire fonctionner dans des lieux où il pourrait s'en trouver.
- N'aspirer rien qui soit en train de brûler ou d'émettre de la fumée, tel que des cigarettes, des allumettes ou des cendres chaudes.
- Faire preuve de grande prudence en cas de nettoyage d'escalier.
- Ne pas utiliser sans filtre.
- Si l'aspirateur ne fonctionne pas bien ou s'il est tombé, s'il a été abimé, abandonné à l'extérieur ou exposé à l'eau, le retourner au service d'assistance ou au fournisseur.
- Si de la mousse ou du liquide sortent de l'appareil, éteindre immédiatement.
- L'aspirateur ne doit pas être utilisé comme pompe à eau. L'aspirateur est prévu pour aspirer des mélanges d'air et d'eau.
- Brancher l'aspirateur à une prise de terre de l'alimentation électrique principale. La prise de courant et le fil électrique doivent avoir un conducteur de protection.
- Fourbir une bonne ventilation à la zone de travail.
- Ne pas utiliser l'aspirateur comme une échelle ou un escabeau. L'aspirateur pourrait se renverser et subir des avaries.
- Ne jamais aspirer les matériaux suivants : gaz, liquides ou particules (particules de poussière réactives) explosifs ou combustibles, particules de poussières métalliques réactives (telles qu'aluminium, magnésium, zinc) en association avec des détergents hautement alcalins ou acides et des solvants alcalins ou organiques forts non dilués tels que pétrole, diluants, acétone, mazout et produits similaires.
- Risque d'incendie. N'aspirer aucun objet collant ou en feu.
- Ne pas l'utiliser pour aspirer des liquides inflammables ou combustibles tels que essence, particules de poussière réactives, et ne pas le faire fonctionner dans des lieux où il pourrait s'en trouver.
- Ne pas utiliser l'aspirateur pour vaporiser des liquides inflammables tels que peinture à l'huile, laque, produits ménagers... etc.

- Ne pas aspirer de cendre chaudes ou brûlantes, La température maximale des cendres ne devrait pas dépasser 102 degrés Fahrenheit / 40 degrés Celsius.
- Ne pas aspirer de matériaux cancérigènes, combustibles ou d'autres matériaux dangereux tels qu'amiante, arsenic, baryum, béryllium, plomb, pesticides ou tout autre matériau dangereux pour la santé.
- Pour éviter tout cas de combustion spontanée, vider le réservoir après chaque utilisation.
- REMARQUE Un choc statique pourrait se produire en cas d'environnement trop sec. Ceci n'affecte aucunement l'utilisation de l'aspirateur Pour palier à cette situation, ajoutez de l'humidité à l'air ambiant à l'aide d'une console ou d'un humidificateur.
- RESTER VIGILANT et agir avec bon sens Ne pas utiliser l'aspirateur sous l'effet de drogues, alcool, médicaments ou en cas de fatigue ou de distraction.
- Ne pas laisser le fil traîner sur le sol en fin d'utilisation. Il pourrait représenter un risque de chute.
- Si le fil fourni est endommagé, il doit être remplacé par le fabricant, son service d'assistance ou tout autre personne qualifiée pour éviter tout danger.
- Ne pas permettre de l'utiliser comme un jouet. Une attention vigilante est nécessaire en cas d'utilisation par des enfants ou à proximité d'enfants.
- Conserver l'emballage hors de portée des enfants. Il représente un risque d'étouffement !
- Protéger l'appareil de la pluie. Stocker à l'intérieur.
- ATTENTION: L'appareil est pour une utilisation exclusivement en intérieur.
- Ne pas utiliser l'aspirateur sous la pluie.
- Porter un masque de protection, quand on opère à la vidange du réservoir contenant des poussières de quelque sorte que ce soit.
- Débrancher avant de connecter le tuyau et les accessoires.
- Ne pas abandonner l'appareil quand il est branché. Débrancher de la prise quand il n'est pas en service et avant toute opération d'entretien.
- Ne brancher l'appareil que sur une prise reliée à la masse. Voir les instructions de mise à la terre.
- ATTENTION: Les opérateurs utilisant l'appareil doivent être dûment instruits sur l'utilisation de celui-ci.
- ATTENTION: Nettoyer régulièrement le dispositif de limitation du niveau d'eau et contrôler s'il présente des signes d'avarie.
- Le flotteur a la fonction d'arrêter l'aspiration quand le conteneur est plein de liquide ou en cas de renversement, contrôler régulièrement qu'il ne présente pas de dommages et que le glissement ne soit pas bloqué. Procéder au nettoyage ou au remplacement dès que nécessaire.

1.3 APPLICABLE UNIQUEMENT AU ROYAUME-UNI

Prière de lire ces instructions de base.

Ces instructions ont été rédigées sur la base de critères de sécurité et d'efficacité. L'opérateur de l'appareil doit être formé par un instructeur qualifié et être en mesure de comprendre ces instructions d'utilisation; il doit également connaître la législation et les règlements applicables en vigueur au moment de son emploi.

Cet appareil de 240 volt 50 Hz. est équipé d'une prise de 13 amp. moulée à 3 broches. La prise est équipée d'un fusible amovible de 13 amp. Le remplacement du fusible est identifié par une marque ou une codification de couleur. Seuls des fusibles approuvés ASTA pour BS 1362 doivent être montés sur la prise. Ne jamais utiliser la prise sans le couvercle du fusible à sa place. On trouve des couvercles de fusible dans n'importe quel magasin d'équipement électrique.

1.4 ESSAIS ET HOMOLOGATIONS

Des essais électriques doivent être effectués, conformément aux instructions de sécurité de la norme EN 62638. Ces tests doivent être effectués régulièrement et après toute réparation ou modification. L'aspirateur est conforme à la norme IEC/EN 60335-2-69.

NB: Les dessins des appareils reportés sont purement indicatifs.

2. VUE D'ENSEMBLE

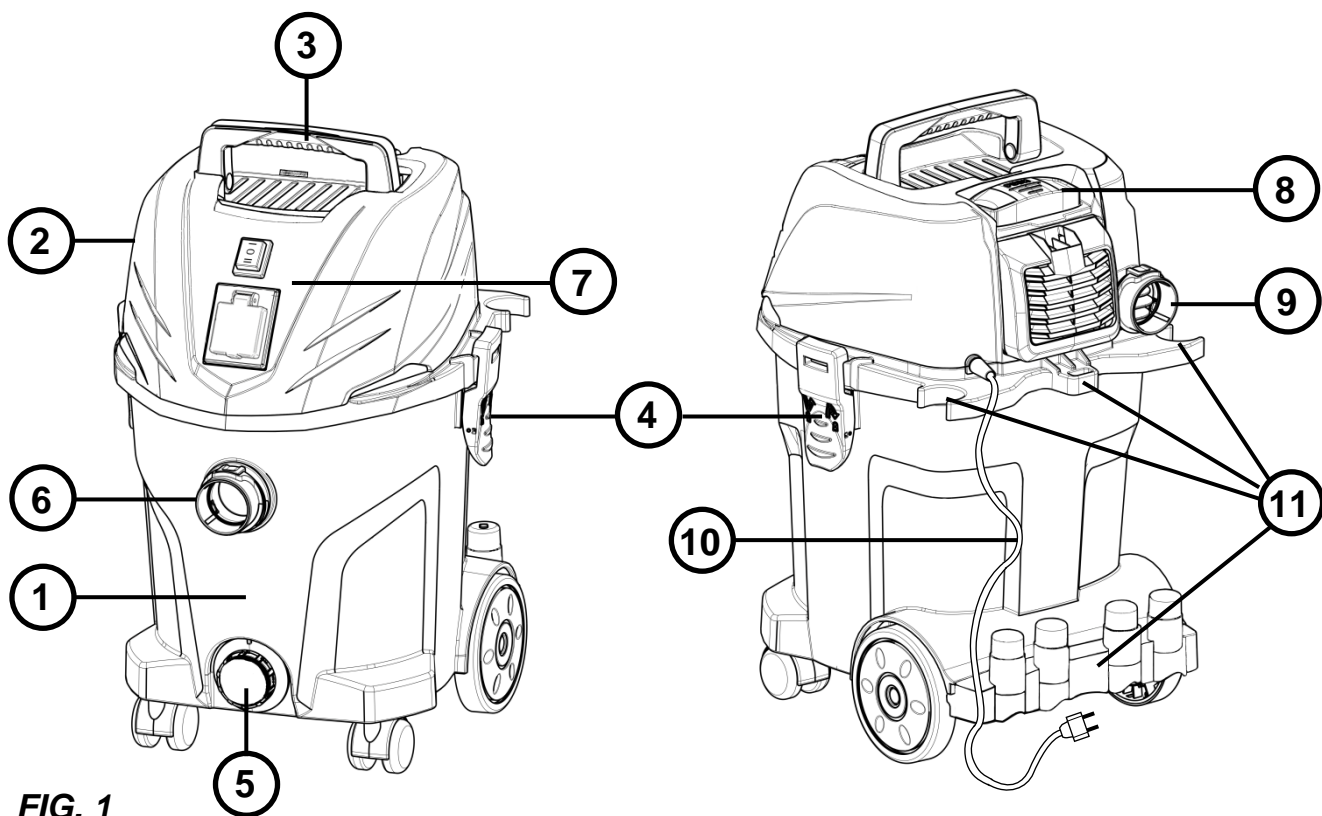


FIG. 1

- | | | |
|------------------------|---------------------------------------|---|
| 1. Réservoir | 8. Bouton de nettoyage du filtre | 15. Brosse à raclette (déchets humides) |
| 2. Tête | 9. Sortie de soufflage | 16. Suceur plat |
| 3. Poignée | 10. Cordon d'alimentation | 17. Suceur brosse |
| 4. Crampon | 11. Supports du suceur | 18. Adaptateur accessoire électrique |
| 5. Vidange | 12. Tuyau avec tube manuel | 19. Sac à poussière (déchets secs) |
| 6. Embout d'aspiration | 13. Tubes | |
| 7. Panneau de commande | 14. Brosse à poussière (déchets secs) | |

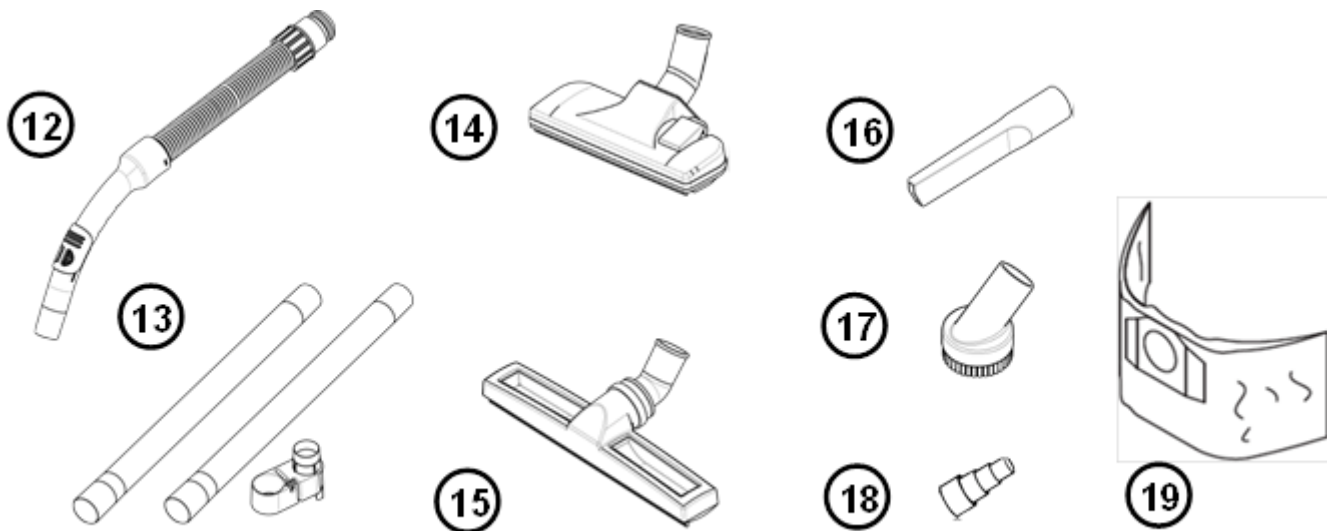


FIG. 2

Certains de ces accessoires se trouvent dans le réservoir. En cas d'éléments manquants, contacter le service d'assistance.

3. INSTRUCTIONS DE RÉGLAGE POUR LA PREMIÈRE UTILISATION

Lire entièrement le chapitre 1 de ce manuel - **IMPORTANTES INSTRUCTIONS DE SÉCURITÉ** avant de régler et d'utiliser l'aspirateur.

3.1 ACCESSOIRES

Les suceurs et accessoires pour cet appareil sont logés dans le réservoir durant le transport. Pour ouvrir le réservoir, ouvrir les crampons et enlever la tête. Enlever les accessoires et remettre la tête. Fixer la tête avec les crampons.

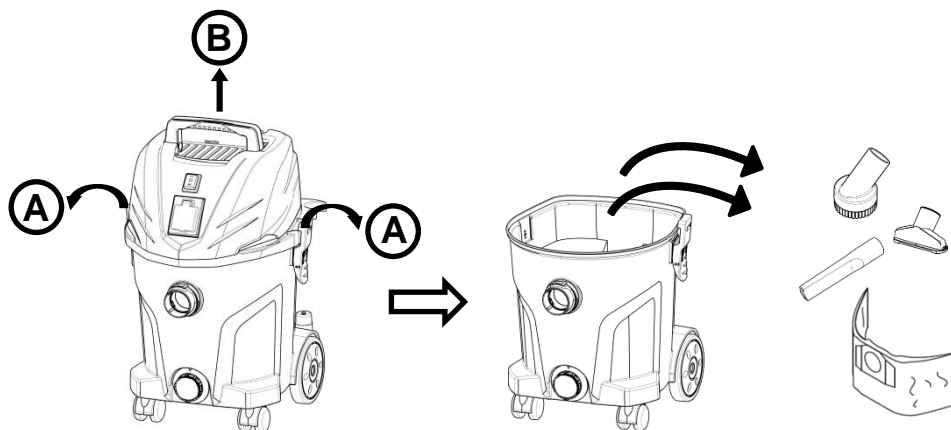


FIG. 3

Voir chapitre 6 pour stocker les accessoires de l'appareil.

4. UTILISATION DE L'ASPIRATEUR

Lire entièrement le chapitre 1 de ce manuel - **IMPORTANTES INSTRUCTIONS DE SÉCURITÉ** avant de régler et d'utiliser l'aspirateur.

4.1 UTILISATION AVEC LE SAC À POUSSIÈRE

Pour l'aspiration de poussières sèches, un sac à poussière optionnel peut être utilisé pour la stocker et faciliter l'élimination. Pour monter le sac de poussière sur l'appareil, enlever la tête (voir également fig. 3). Monter le sac à poussière conformément à la fig. 6. Remettre la tête et la fixer avec les crampons.

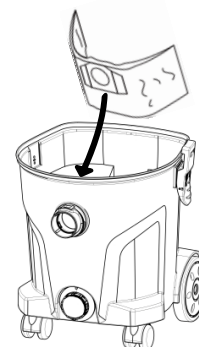


FIG. 4

4.2 ASPIRATION DE DÉCHETS SECS OU LIQUIDES

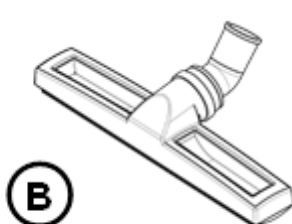
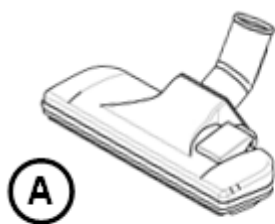


FIG. 5

Pour l'aspiration de poussières et déchets secs, utiliser l'embout pour déchets secs (A) avec le bord muni de brosse.

Pour aspirer des liquides, utilisez la brosse à raclette (B).

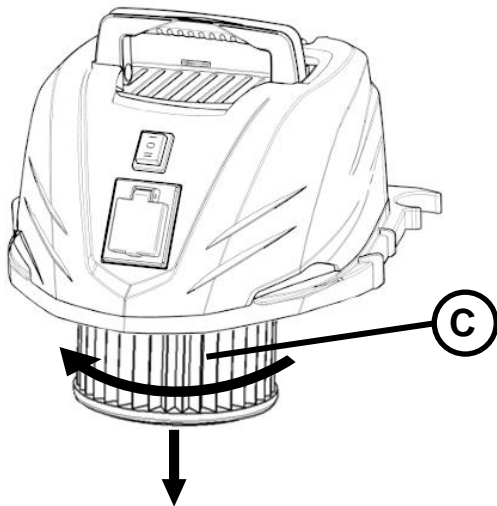


FIG. 6



Lors de l'aspiration de liquides, il est nécessaire de retirer le filtre: retirer la tête du moteur (voir aussi la figure 3), faire tourner le filtre jusqu'à ce qu'il se déverrouille et le retirer de son siège, remonter la tête.

4.3 ASPIRATION - INSERTION ET RETRAIT DU TUYAU

Pour passer l'aspirateur, insérez le tuyau (A) dans l'entrée d'aspiration (B). Pour retirer le tuyau, appuyez sur le bouton (C) tournez et tirez en un seul mouvement.

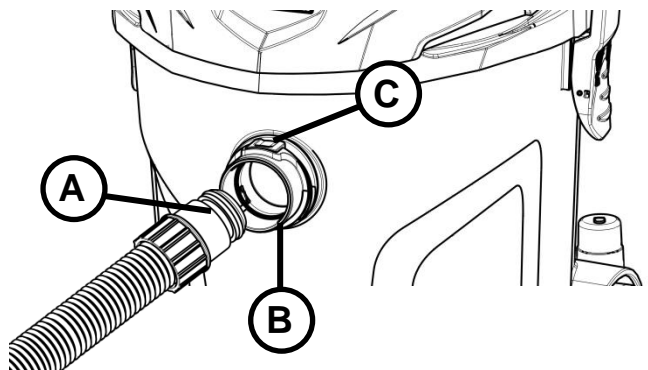


FIG. 7

4.4 SOUFLAGE - INSERTION ET RETRAIT DU TUYAU

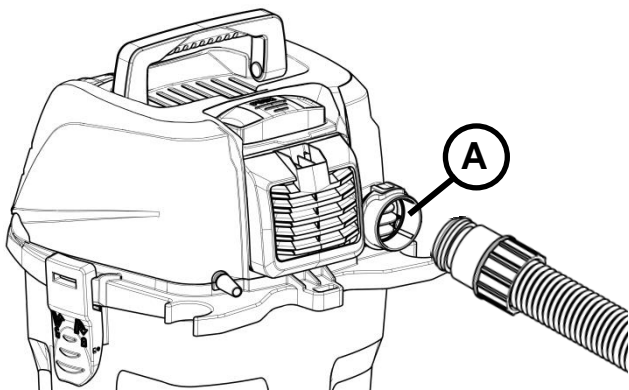


FIG. 8

Cet appareil peut également être employé pour souffler. Dans certains cas, il plus aisé de commencer par souffler sur les déchets pour ensuite les ramasser.

Pour se servir de la fonction soufflage, introduire le tuyau dans la sortie de soufflage (A) de la même manière que pour l'embout d'aspiration.

4.5 ALLUAGE DE L'APPAREIL

L'appareil s'allume et s'éteint en appuyant sur le bouton d'allumage/arrêt (A).

Pour utiliser la prise en option (B), voir le prochain chapitre.

L'appareil peut être configuré par un indicateur en option (D). L'indicateur s'active quand la pression est très insuffisante. Cela peut être dû à l'état du filtre, obstrué et nécessitant un nettoyage (voir chapitre ultérieur), ou à celui du sac à poussières, à remplacer.

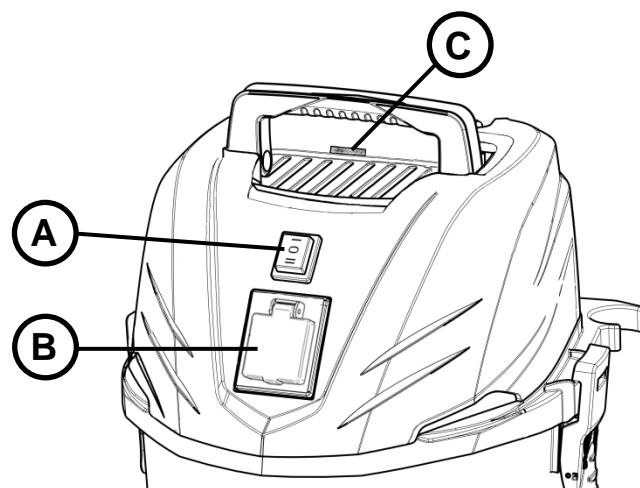


FIG. 9

4.6 APPAREIL MUNI DE CONNECTEUR SUPPLEMENTAIRE ET ARRÊT/DÉMARRAGE AUTO

Cet appareil peut être équipé en option d'une prise qui peut être utilisée pour connecter un outil électrique. Connecter l'appareil électrique à la prise (A). Retirer le tube manuel et fixer l'adaptateur conique (B). Insérer l'adaptateur conique dans l'appareil électrique (C). Mettre l'appareil en mode AUTO avec l'interrupteur (D). L'aspirateur se mettra en route dès que l'appareil électrique sera allumé et s'arrêtera après un court délai (de manière à vider le tuyau) quand l'appareil est éteint.

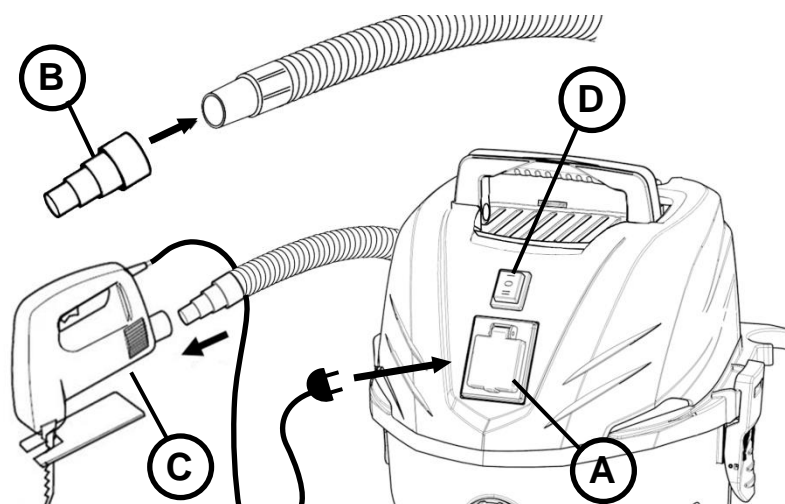


FIG. 10



! ATTENTION - Ne pas opérer avec l'aspirateur sans panier ni flotteur, car ils empêchent le liquide d'entrer dans la turbine et d'endommager le moteur. Ne pas aspirer de liquides sans avoir installé le filtre à éponge.



! ATTENTION - Pour réduire les risques de blessure ou de chute, ne jamais soulever ou porter l'aspirateur rempli de déchets ou de liquide. Évacuer ou vidanger suffisamment l'aspirateur pour qu'il soit suffisamment léger pour être soulevé ou porté sans efforts excessifs.

REMARQUE SI L'APPAREIL SE RENVERSE ACCIDENTELLEMENT, IL POURRAIT PERDRE SA PUISSANCE D'ASPIRATION. DANS CE CAS, LE REMETTRE EN POSITION DEBOUT ET L'ÉTEINDRE. CELA PERMETTRA AU FLOTTERU DE REVENIR À SA POSITION ET IL SERA POSSIBLE DE CONTINUER À TRAVAILLER..



! ATTENTION - Lire les Avertissements et Instructions de Sécurité sur les typologies de matériaux humides qui ne peuvent pas être aspirés avec cet appareil.

! DANGER - Cet équipement contient des éléments tels que interrupteurs, moteurs et autres susceptibles de produire éventuellement des arcs électriques ou des étincelles pouvant provoquer une explosion. Ne pas aspirer de produits inflammables, ni de combustibles, ni de matériaux brûlants. Ne pas utiliser en présence de vapeurs ou de liquides explosifs, car les appareils électriques produisent des arcs ou des étincelles susceptibles de provoquer un incendie ou une explosion - ne pas utiliser dans des stations services ni en aucun endroit où de l'essence est distribuée ou stockée.



NOTE!

Cet aspirateur a une protection anti.-surchage qui protège le moteur des températures élevées. Ceci peut se produire en cas d'utilisation intense. Si la température du moteur éteint l'appareil en cours de fonctionnement, éteindre avec l'interrupteur et laisser refroidir le moteur pendant 5 minutes. Rallumer l'interrupteur et poursuivre les opérations.



!AVERTISSEMENT - Assurez-vous que l'outil électrique utilisé avec la prise supplémentaire ne dépasse pas la puissance indiquée sur la prise elle-même.

4.7 VIDANGE DU RÉSERVOIR - LIQUIDES

Pour vider le réservoir de ses liquides, dévisser le bouchon de vidange (A) et le retirer.

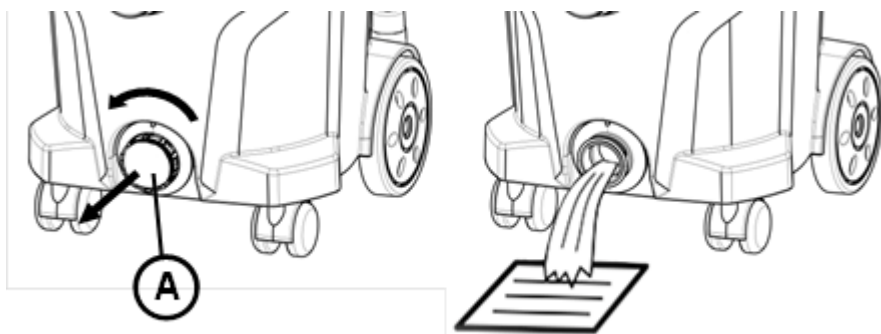


FIG. 11

4.8 VIDANGE DU RÉSERVOIR - POUSSIÈRES ET DÉCHETS SECS

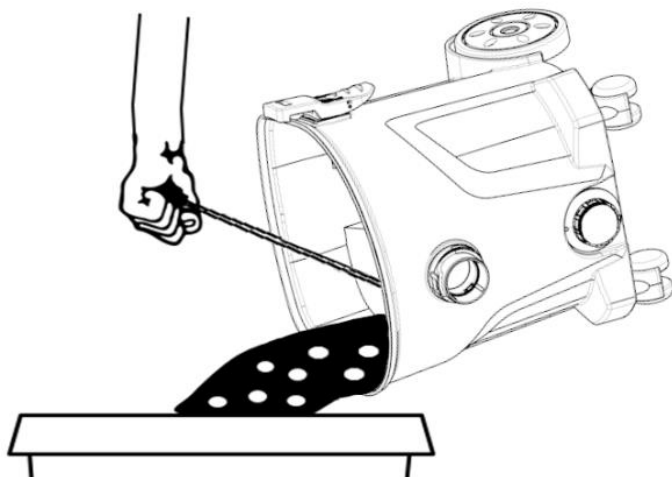


FIG. 12

Pour vider le réservoir des déchets et poussières qu'il contient, retirer la tête (voir chapitre 3.1). Si l'on utilise un sac à poussière, le retirer et en mettre un neuf.

5. NETTOYAGE DU FILTRE

L'appareil peut également être équipé d'un système de nettoyage du filtre semi-automatique ou entièrement automatique.

5.1 NETTOYAGE DU FILTRE MANUEL

Le filtre peut être nettoyé manuellement de la manière suivante: tournez le filtre (A) jusqu'à ce qu'il se déverrouille et retirez-le de la tête, nettoyez le filtre sous l'eau froide (B). Laissez sécher (C) jusqu'à ce qu'il soit complètement sec. Remontez le filtre.

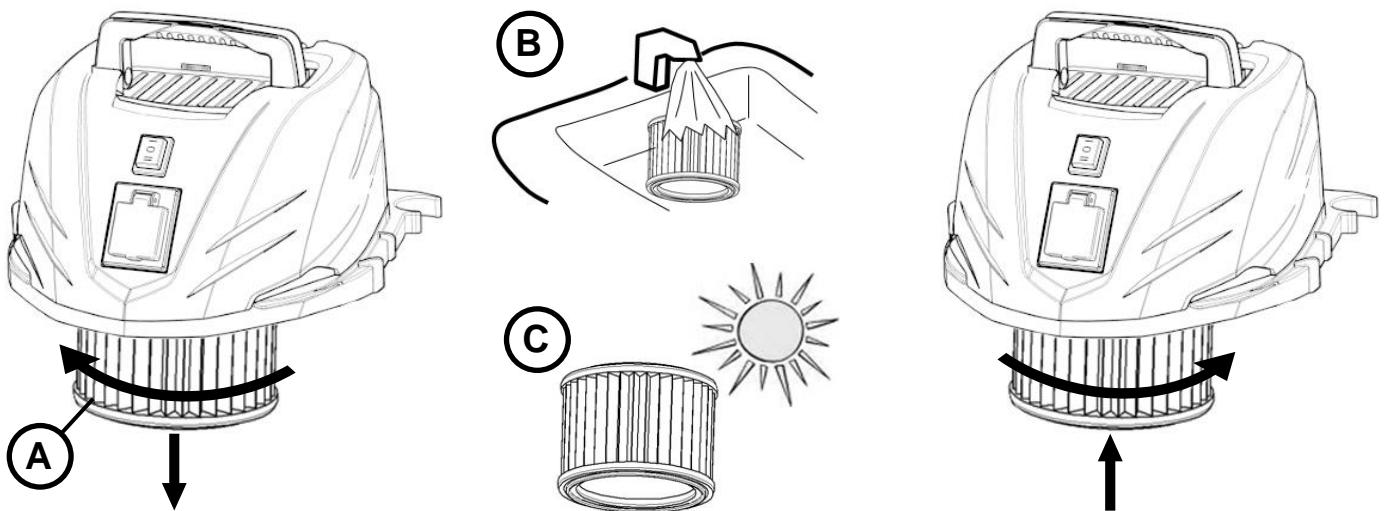


FIG. 13

5.2 FILTRE NETTOYANT SEMI-AUTOMATIQUE

L'appareil est équipé d'un dispositif de filtre autonettoyant. Le filtre peut être nettoyé en fermant l'entrée du tube manuel (A).

Fermez l'entrée d'aspiration (A) en plaçant votre main sur l'extrémité du tube manuel ou en l'insérant dans le siège (B).

Après avoir fermé l'entrée, attendre 2-3 secondes jusqu'à ce que la dépression maximale soit atteinte. Appuyer sur le bouton de nettoyage du filtre (C) 5 fois en succession rapide. Cette action activera le nettoyage du filtre et rétablira la puissance d'aspiration.

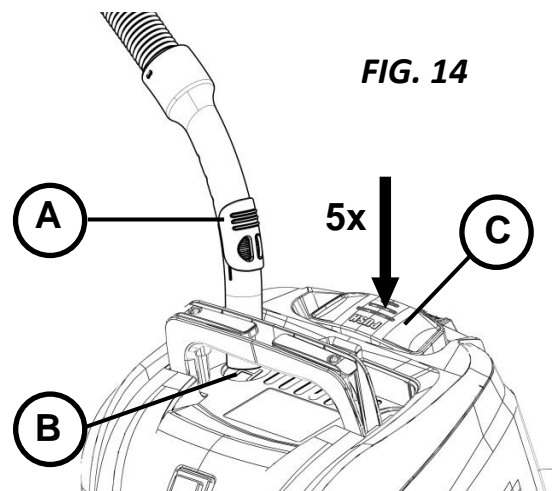


FIG. 14

6. PENDANT L'UTILISATION ET APRÈS, RANGEMENT

Ranger l'aspirateur À L'INTÉRIEUR dans une pièce à une température supérieure à 0°C et au sec.

Avant de stocker l'aspirateur, nettoyez le filtre avec le système semi-automatique (voir paragraphe 5.2). Enroulez le câble d'alimentation autour de la poignée. Les tuyaux et autres accessoires peuvent être rangés dans les porte-accessoires situés à l'arrière de la machine.

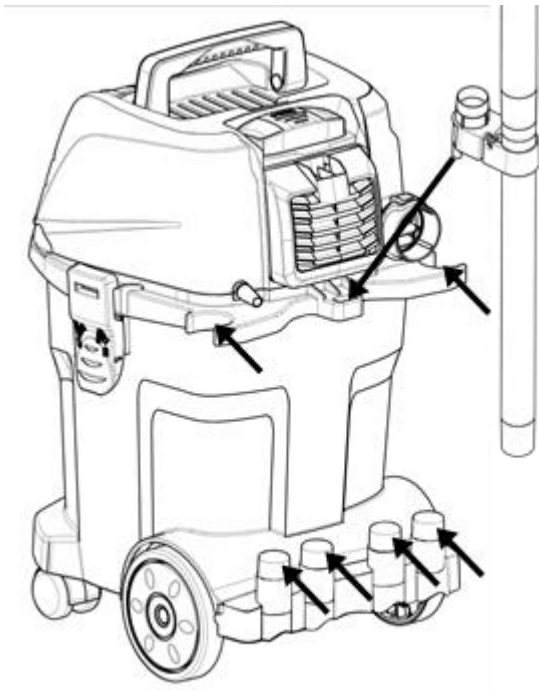


FIG. 15



ATTENTION ! Quand l'appareil n'est pas utilisé : débrancher le fil de la prise électrique.

7. RÉOLUTION DES PROBLÈMES

La réparation ou l'entretien des composants électriques tels que le fil ou le moteur doivent être effectués uniquement par un centre d'assistance autorisé.

L'aspirateur ne se met pas en route :	<ul style="list-style-type: none">• Contrôler si la prise est insérée correctement dans la sortie électrique et si la prise de courant est alimentée.• Un disjoncteur pourrait avoir sauté. Contrôler le boîtier de disjoncteurs.• Le fil ou la prise pourraient être défectueux. Appeler le service d'assistance pour savoir quel est le centre d'assistance le plus proche.
Le moteur ne tourne pas en mode automatique.	<ul style="list-style-type: none">• Outil électrique défectueux ou connecté incorrectement. Contrôler si l'outil électrique fonctionne ou si la prise est correctement branchée.• La puissance nominale de l'appareil électrique est trop basse. Prendre note que la puissance nominale minimale est de $P > 50W$
Le moteur s'arrête	<ul style="list-style-type: none">• Une protection thermique coupe le moteur si la température de celui-ci est trop élevée. Si cela se produit, éteindre l'aspirateur avec l'interrupteur. Attendre 10 minutes pour que le moteur refroidisse. Rallumer l'interrupteur et poursuivre les opérations.
La puissance d'aspiration est réduite :	<ul style="list-style-type: none">• Le réservoir pourrait être plein et nécessiter d'être vidé. Voir chapitres 4.7 et 4.8• Le tube, le tuyau ou l'embout pourraient être bouchés et nécessiter un nettoyage.• L'un de ces éléments pourrait être abimé et nécessiter un remplacement.• Le filtre pourrait être bouché. Activer le dispositif de nettoyage du filtre (voir chapitre 5)pour nettoyer le filtre.• Contrôler le filtre et le remplacer si nécessaire. S'assurer qu'il est bien monté.• Le branchement du tuyau est lâche et doit être resserré.
Chocs statiques :	<ul style="list-style-type: none">• Si l'environnement est trop sec, humidifier l'air. Utiliser un humidificateur, si possible.• Une humidité de l'air trop faible n'a toutefois aucun effet sur l'utilisation de l'aspirateur.

8. DÉCLARATION DE CONFORMITÉ

2006/42/CE - 2014/30/UE - 2011/65/CE

Nous:

IP Cleaning S.r.l.
Viale Treviso, 63
30026 Summaga - Portogruaro (VE) – Italy

déclarons sous notre responsabilité que le produit

<p>KLEEN 1/20 TC W&D P KP 1/20 CLEAN TC</p> <p>220-240 V / 50-60 Hz 1400 W nom / 1600 W max</p>	<p>KLEEN 1/30 TC W&D S KS 1/30 CLEAN TC</p> <p>220-240 V / 50-60 Hz 1400 W nom / 1600 W max</p>
---	---

auquel se réfère cette déclaration, est conforme aux suivantes normes:

- IEC 60335 -1:2010+A1:2013
- IEC 60335 - 2 - 69:2016
- EN 62233: 2008
- EN 55014 - 1:2006+A1:2009+A2:2011
- EN 55014 - 2:1997+A1:2001+A2:2008
- EN 61000 - 3 - 2: 2014
- EN 61000 - 3 - 3: 2013

selon ce qui est prévu par la Directive: 2006/42/EC (Directive machines)
2014/30/UE (Compabilité Électromagnétique EMC) 2011/65/EC (Directive RoHS II)

Personne autorisée à remplir le dossier technique



IP Cleaning S.r.l.
Viale Treviso, 63
30026 Summaga - Portogruaro (VE) - Italy

Représentant Légal
dott. Pietro Annibaldi Corsano



01/06/2021

9. CARACTÉRISTIQUES DU PRODUIT

Nom du modèle	KLEEN 1/20 TC W&D P KP 1/20 CLEAN TC	KLEEN 1/30 TC W&D S KS 1/30 CLEAN TC
Tension	220-240V	220-240V
Fréquence	50Hz/60Hz	50Hz/60Hz
Puissance	1400 W	1400 W
Charge connectée à la prise pour appareil supplémentaire	1800 W	1800 W
Puissance totale	3200 W	3200 W
Classe de protection	I	I
Type de protection	IPX4	IPX4
Volume du réservoir	20L	30L
Vibrations	$a_h < 2.5 \text{ m/s}^2$	$a_h < 2.5 \text{ m/s}^2$
Niveau de pression acoustique à une distance d'1 mètre, EN 60704-1		
Niveau de puissance acoustique		
Nom du modèle		
		

CE



BETRIEBSHANDBUCH

(Bedienungsanleitung)



KLEEN 1/20 TC W&D P

KLEEN 1/30 TC W&D S

KP 1/20 CLEAN TC

KS 1/30 CLEAN TC



IPC

SEHR GEEHRTER KUNDE

Wir gratulieren Ihnen zum Kauf Ihres neuen Nass- und Trockensaugers.



Bevor Sie das Gerät zum ersten Mal benutzen, sollten Sie das vorliegende Handbuch unbedingt genau gelesen haben. Bewahren Sie es außerdem zur späteren Einsichtnahme auf.

BESTIMMUNGSGEMÄßER EINSATZ

Dieser Sauger ist entworfen, entwickelt und streng geprüft worden, um sich bei vorschriftsmäßiger Wartung und Gebrauch gemäß nachstehenden Anweisungen durch seine Leistungsstärke und Sicherheit auszuzeichnen. Der Sauger ist für den Einsatz in Gemeinschaftseinrichtungen (Hotels, Schulen, Krankenhäusern, Fabriken, Büros und auch für den Verleih) und/oder in Haushalten vorgesehen. Unfälle durch einen falschen Gebrauch können nur durch den Bediener selbst verhindert werden.



VORSICHT: LESEN UND BEFOLGEN SIE DIE SICHERHEITSANWEISUNGEN

Das Gerät eignet sich zum Aufsaugen von trockenem, nicht entflammbarem Staub sowie von Flüssigkeiten.

Jeder andere Einsatz gilt als unsachgemäßer Gebrauch. Der Hersteller übernimmt keine Haftung für Schäden, die Folge eines unsachgemäßen Gebrauchs sind. Die Gefahr eines unsachgemäßen Gebrauchs liegt allein in der Verantwortung des Bedieners. Zu einem sachgemäßen Gebrauch gehören auch der sachgemäße Einsatz, die Wartung und Reparaturen, wie vom Lieferanten angegeben.



! ACHTUNG: VOR EINSATZ DIESES SAUGERS UNBEDINGT DIE SICHERHEITSANWEISUNGEN LESEN. ZUR SPÄTEREN EINSICHTNAHME AUFBEWAHREN

! GEFAHR: Benutzen Sie das Gerät nie in der Nähe entflammbarer Materialien oder Dämpfe. Elektrogeräte erzeugen Lichtbögen oder Funken, die ein Feuer oder eine Explosion verursachen können. **DAS GERÄT NIE UNBEAUF SICHTIGT IN BETRIEB LASSEN!**



! WARNUNG: Tragen Sie immer einen Augenschutz, um zu verhindern, dass weggeblasene Steinchen oder Schmutzteile abprallen, in die Augen oder das Gesicht gelangen und ernsthafte Verletzungen verursachen können.

1. WICHTIGE SICHERHEITSANWEISUNGEN

1.1 GEBRAUCHSANWEISUNGEN

Das Gerät darf nur:

- von Personen benutzt werden, die in den vorschriftsmäßigen Betrieb eingewiesen und ausdrücklich mit seinem Gebrauch beauftragt sind;
- unter Aufsicht in Betrieb genommen werden.
- Das Gerät darf nicht von Personen (Kinder inbegriffen) mit eingeschränkten körperlichen, sensorischen oder geistigen Fähigkeiten oder mit ungenügender Erfahrung oder Kenntnis benutzt werden.
- Kinder sind zu beaufsichtigen, um sicher zu sein, dass sie nicht mit dem Gerät spielen.
- Keine unsicheren Arbeitstechniken anwenden.
- Den Sauger nie ohne Filter benutzen.
- Das Gerät in den folgenden Situationen ausschalten und vom Stromnetz abtrennen:
 - Vor der Reinigung und Wartung des Geräts
 - Vor dem Ersetzen von Teilen
 - Wenn der Einsatz des Geräts beendet ist
 - Wenn sich Schaum entwickelt oder Flüssigkeit austritt

Neben der Betriebsanleitung und den im Land des Einsatzes gültigen Unfallverhütungsvorschriften sind auch die anerkannten Vorschriften für einen sicheren und sachgemäßen Gebrauch zu beachten.

1.2 WICHTIGE WARNHINWEISE:

- Um die Gefahr eines Brandes, eines Stromschlags oder einer Verletzung zu reduzieren, sind alle Sicherheitsanweisungen und Vorsichtshinweise vor dem Gebrauch genau zu lesen und zu befolgen. Der Sauger ist sicher im Gebrauch, wenn er wie angegeben zum Reinigen benutzt wird. Sollte es zu Schäden an der Elektrik oder Mechanik kommen, muss das Gerät und/oder sein Zubehör vor jedem weiteren Gebrauch durch eine zuständige Kundendienststelle oder den Lieferanten repariert werden, um weitere Schäden am Gerät bzw. körperliche Verletzungen des Bedieners zu verhindern.
- Das Gerät nie allein lassen, wenn es an das Stromnetz angeschlossen ist. Den Stecker abziehen, wenn das Gerät nicht in Gebrauch ist bzw. vor Wartungsarbeiten.
- Nicht benutzen, wenn das Kabel oder der Stecker beschädigt sind. Zum Abziehen des Steckers am Stecker selbst ziehen, nicht am Kabel. Den Stecker bzw. das Gerät nicht mit nassen Händen benutzen. Vor Abtrennen des Geräts vom Stromnetz alle Schalter ausschalten.
- Nicht am Kabel ziehen, um das Gerät weiterzuziehen oder zu tragen; das Kabel nicht als Griff benutzen; nicht am Kabel ziehen, wenn dieses auf scharfen Ecken oder Kanten aufliegt. Nicht mit dem Gerät über das Kabel fahren. Das Kabel nicht in die Nähe heißer Oberflächen bringen.
- Haare, weite Kleidung, Finger und alle anderen Teile des Körpers von Öffnungen oder sich bewegenden Teilen fernhalten.
- Keine Gegenstände gegen die Öffnungen drücken und das Gerät nicht mit blockierten Öffnungen benutzen. Öffnungen frei von Staub, Flusen, Haaren und allem anderen halten, was den Luftfluss reduzieren könnte.
- **WARNUNG:** Dieses Gerät ist nicht geeignet, um gefährlichen Staub aufzusaugen.
- Das Gerät nicht benutzen, um entflammbare oder brennbare Flüssigkeiten aufzusaugen wie z.B. Benzin, und auch nicht in Bereichen einsetzen, wo diese Substanzen vorhanden sein könnten.
- Keine brennenden oder rauchenden Gegenstände aufnehmen wie Zigaretten, Streichhölzer oder heiße Asche.
- Besondere Vorsicht ist beim Einsatz auf Treppen geboten.
- Nicht benutzen, solange die Filter nicht vorschriftsmäßig eingesetzt sind.
- Wenn das Gerät nicht vorschriftsmäßig arbeitet, gefallen oder beschädigt ist, im Freien gelassen oder in Wasser getaucht wurde, selbiges in eine Kundendienststelle oder zum Lieferanten bringen.
- Sofort ausschalten, wenn Schaum oder Flüssigkeit aus dem Gerät austritt.
- Der Sauger darf nicht als Wasserpumpe eingesetzt werden. Das Gerät ist ausgelegt, um eine Mischung aus Luft und Wasser aufzusaugen.
- Das Gerät an ein vorschriftsmäßig geerdetes Stromnetz anschließen. Die Steckdose und das Verlängerungskabel müssen über einen Schutzleiter verfügen.
- Am Einsatzort ist für ausreichende Belüftung zu sorgen.
- Das Gerät nicht als Leiter oder Tritt benutzen. Es kann umstürzen und Schaden nehmen.
- Nie die nachstehenden Materialien aufsaugen: explosionsfähige oder brennbare Gase, Flüssigkeiten oder Staubpartikel (reaktive Staubpartikel), reaktive Metallstaubteilchen (wie Aluminium, Magnesium, Zink) zusammen mit hoch alkalischen oder sauren Reinigungsmitteln, unverdünnte starke Säuren und Laugen oder organische Lösemittel wie Benzin, Lackverdünner, Azeton, Heizöl und ähnliche Produkte.
- Es besteht die Gefahr eines Brandes. Nie irgendwelche brennenden oder glühenden Gegenstände aufsaugen.
- Keine entflammbaren oder brennbaren Flüssigkeiten aufzusaugen wie Benzin, Flüssigkeiten oder reaktive Staubpartikel, und nicht in Bereichen einsetzen, wo diese Substanzen vorhanden sein könnten.
- Den Sauger nicht zum Versprühen von entflammbaren Flüssigkeiten wie Ölfarben, Lacken, Haushaltsreiniger usw. benutzen.

- Keine warme oder heiße Asche aufsaugen. Die Asche darf die Temperatur von 102 Grad Fahrenheit/40° C nicht überschreiten.
- Keine giftigen, krebserregenden, brennbaren oder andere gefährliche Materialien wie Asbest, Arsen, Barium, Beryllium, Blei, Pestizide oder sonstige gesundheitsgefährdende Materialien aufsaugen.
- Um eine Selbstentzündung zu vermeiden, den Behälter nach jedem Gebrauch entleeren.
- HINWEIS: Wenn die Umgebung zu trocken ist, kann es zu elektrostatischen Entladungen kommen. Dadurch wird der Betrieb des Saugers aber nicht beeinträchtigt. Um derartige Phänomene zu verhindern, der Luft mit einem Luftbefeuchter Feuchtigkeit zuführen.
- WACHSAM BLEIBEN und den gesunden Menschenverstand benutzen. Das Gerät nicht benutzen, wenn Sie unter dem Einfluss von Drogen, Alkohol oder Medikamenten stehen bzw. wenn Sie müde oder zerstreut sind.
- Das Kabel nach beendeter Arbeit nicht auf dem Boden liegen lassen. Es kann zu einer Stolperfalle werden.
- Wenn das Anschlusskabel beschädigt ist, muss es durch den Hersteller, seinen Kundendienst oder eine ähnliche qualifizierte Person ersetzt werden, um Gefahren zu vermeiden.
- Das Gerät darf nicht als Spielzeug benutzt werden. Besondere Aufmerksamkeit ist geboten, wenn es von Kindern oder in der Nähe von Kindern eingesetzt wird.
- Das Verpackungsmaterial außerhalb der Reichweite von Kindern halten. Es besteht Erstickungsgefahr.
- Das Gerät vor Regen schützen. Nur im Innenbereich lagern.
- VORSICHT: Das Gerät ist nur für die Einsatz im Innenbereich ausgelegt.
- Den Sauger nicht im Regen benutzen.
- Beim Entleeren des Behälters von Feinstaub aller Art eine Schutzmaske tragen.
- Vor Einsetzen des Schlauches oder anderen Zubehörs den Stecker abziehen.
- Das Gerät nicht alleine lassen, solange der Stecker steckt. Das Gerät von der Steckdose abtrennen, wenn es nicht gebraucht wird bzw. wenn es gewartet werden soll.
- Nur an vorschriftsmäßig geerdete Steckdosen anschließen. Siehe die Anweisungen zur Erdung.
- WARNUNG: Die Bediener müssen angemessen in den Gebrauch dieser Geräte eingewiesen werden.
- VORSICHT: Die Vorrichtung zur Begrenzung des Wasserstandes regelmäßig reinigen und auf Beschädigungen überprüfen.
- Der Schwimmer hat die Funktion den Sauger abzustellen, wenn der Behälter voll ist oder wenn er kippt; kontrollieren Sie regelmäßig, daß dieser nicht beschädigt ist und daß er sich frei bewegen kann. Reinigen oder ersetzen Sie ihn, wenn es nötig ist.

1.3 NUR IM VEREINIGTEN KÖNIGREICH ANWENDBAR

Bitte lesen Sie diese grundlegenden Anweisungen.

Diese Anweisungen sind entsprechend den Vorschriften zur Leistungsfähigkeit und zur Sicherheit abgefasst worden. Der Bediener des Geräts muss durch einen ausreichend qualifizierten Ausbilder in dessen Gebrauch eingewiesen werden. Er muss die Anweisungen verstehen und auf alle wichtigen Regeln und Gesetzesvorschriften hingewiesen werden, die zum Zeitpunkt des Gebrauchs in Kraft stehen.

Dieses Gerät zu 240 Volt / 50 Hz ist mit einem gedruckten Stecker zu 13 Ampère mit 3 Kontakten ausgerüstet. Der Stecker ist mit einer entfernbaren Sicherung zu 13 Ampère bestückt. Das vorschriftsmäßige Ersatzteil für diese Sicherung ist durch eine Markierung oder einen Farbcode gekennzeichnet. Es dürfen nur ASTA-zugelassene Sicherungen mit BS 1362 eingesetzt werden. Den Stecker nie ohne Sicherungsabdeckung verwenden. Ersatzsicherungsabdeckungen sind in jedem Elektrogeschäft erhältlich.

1.4 KONTROLLEN UND GENEHMIGUNGEN

Die elektrischen Kontrollen sind entsprechend den Vorschriften der Sicherheitsanweisung EN 62638 durchzuführen. Die Kontrollen müssen in regelmäßigen Zeitabständen sowie nach Reparaturen oder Änderungen vorgenommen werden. Der Sauger ist gemäß IEC/EN 60335-2-69 zugelassen.

NB: Die oben aufgeführten Zeichnungen sind nur Indikativ

2. ÜBERSICHT

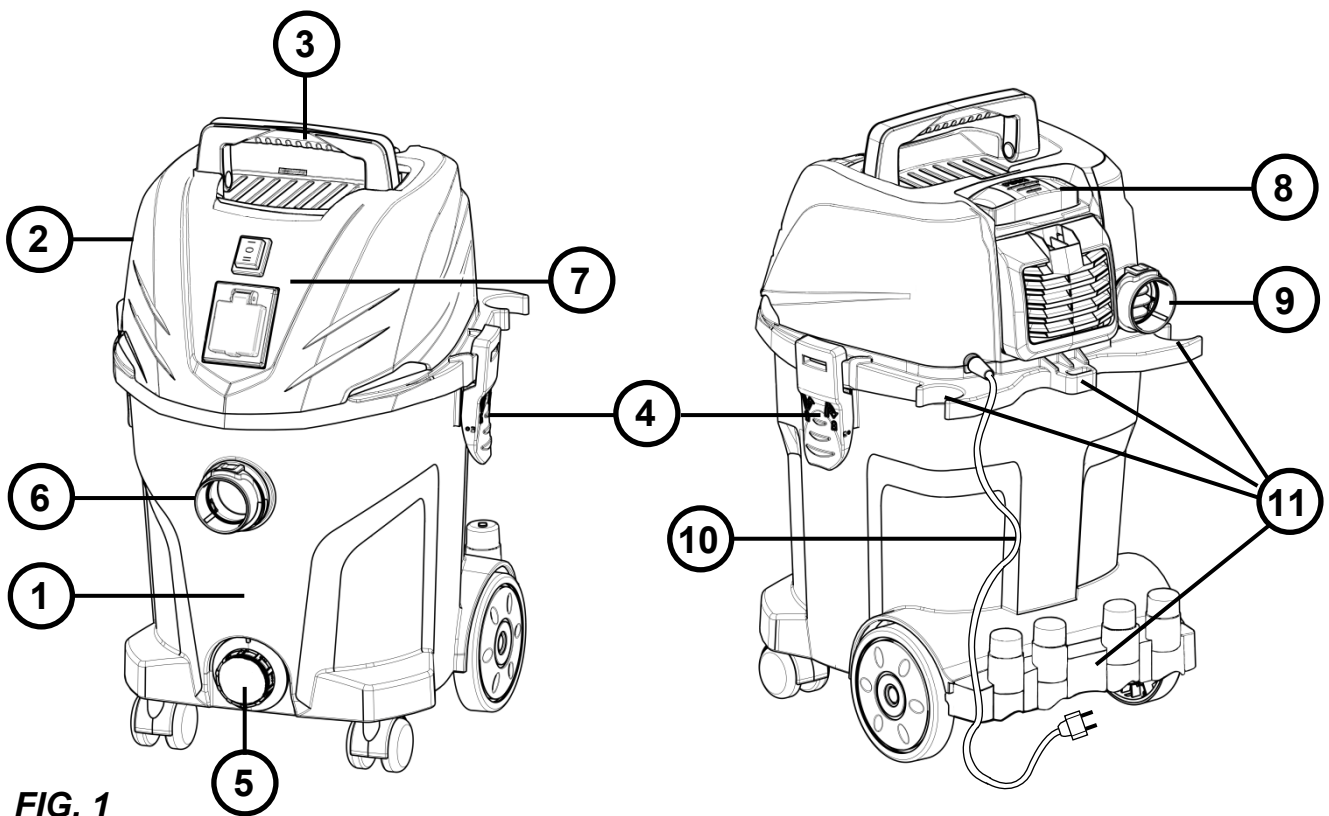


FIG. 1

- | | | |
|----------------------|---------------------------------|---------------------------------|
| 1. Behälter | 8. Filterreinigungstaste | 15. Rakebürste (Nasssaugen) |
| 2. Aufsatz | 9. Blausauslass | 16. Spaltendüse |
| 3. Griff | 10. Kabelstecker | 17. Bürstendüse |
| 4. Verschlussklammer | 11. Halter für Stutzen | 18. Adapter für Elektrowerkzeug |
| 5. Ablassöffnung | 12. Schlauch mit Handrohr | 19. Staubbeutel (Trockensaugen) |
| 6. Saugöffnung | 13. Saugrohren | |
| 7. Bedientafel | 14. Staubbürste (Trockensaugen) | |

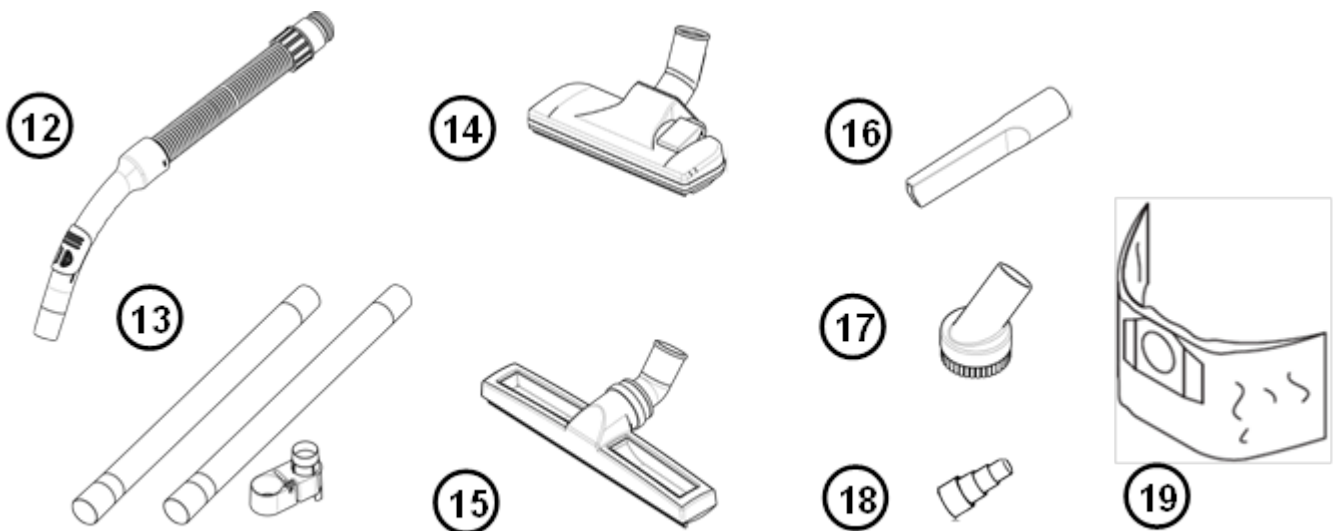


FIG. 2

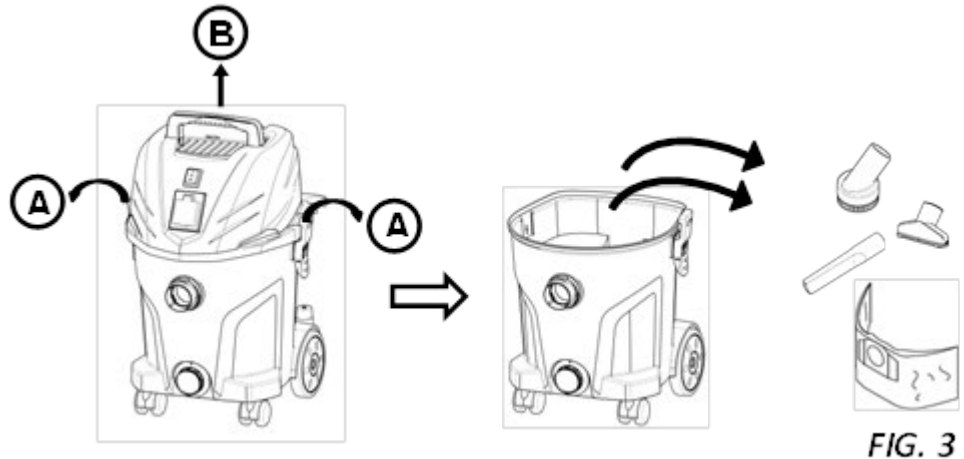
Einige dieser Zubehörteile sind in den Behälter gepackt. Sollten Teile fehlen, kontaktieren Sie bitte unsere Kundendienstabteilung.

3. ANWEISUNGEN ZUR ERSTINSTALLATION

Vor Erstinstallation und Einsatz des Saugers Kapitel 1 - **WICHTIGE SICHERHEITSANWEISUNGEN** des vorliegenden Handbuchs genau lesen.

3.1 ZUBEHÖR

Die Düsen und das Zubehör für das Gerät werden während des Versands in den Behälter gepackt. Zum Öffnen des Behälters die Verschlussklammern lösen und den Aufsatz abnehmen. Die Gegenstände herausnehmen und den Aufsatz wieder aufsetzen.



Diesen mit den Verschlussklammern sichern.

Siehe Kapitel 6 bezüglich der Aufbewahrung des Zubehörs am Gerät.

4. EINSATZ DES SAUGERS

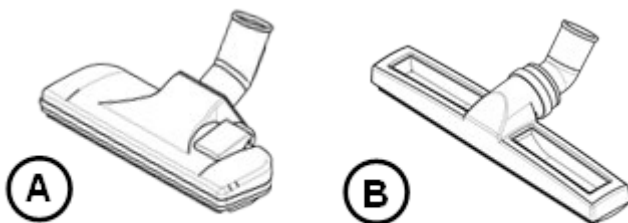
Vor Erstinstallation und Einsatz des Saugers Kapitel 1 - **WICHTIGE SICHERHEITSANWEISUNGEN** des vorliegenden Handbuchs genau lesen.

4.1 BETRIEB MIT STAUBBEUTELN

Wenn trockener Staub aufgesaugt wird, kann ein Staubbeutel (Option) eingesetzt werden, um den Staub aufzufangen und dessen Entfernen zu erleichtern. Zum Einsetzen des Staubbeutels den Aufsatz entfernen (siehe auch Abb. 3). Den Staubbeutel wie auf Abb. 6 dargestellt einsetzen. Den Aufsatz wieder aufsetzen und ihn mit den Verschlussklammern sichern.



4.2 TROCKEN- ODER NASSSAUGEN



Um trockenen Staub und Schmutz aufzusaugen, die Bodendüse (A) mit dem Bürstenkranz einsetzen. Verwenden Sie zum Aufsaugen von Flüssigkeiten die Rakelbürste (B).

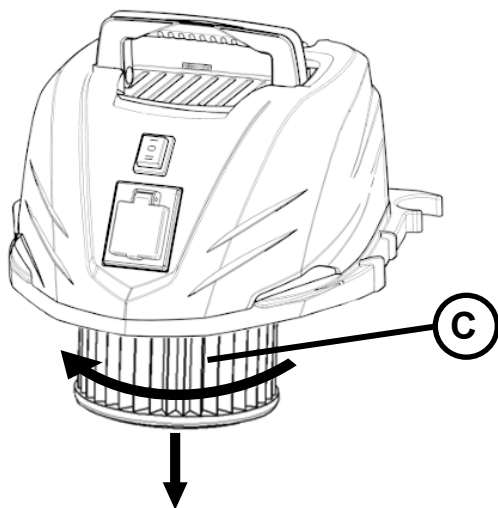


FIG. 6



NOTE!

Beim Staubsaugen von Flüssigkeiten muss der Filter entfernt werden:
Entfernen Sie den Motorkopf (siehe auch Abbildung 3), drehen Sie den Filter, bis er entriegelt, und entfernen Sie ihn von seinem Sitz. Setzen Sie den Kopf wieder zusammen.

4.3 SAUGEN - EINSETZEN UND ENTFERNEN DES SCHLAUCHS

Zum Saugen Schlauch (A) in die Saugöffnung (B) einsetzen.

Um den Schlauch zu entfernen, drücken Sie die Taste (C) und ziehen Sie in einer Bewegung.

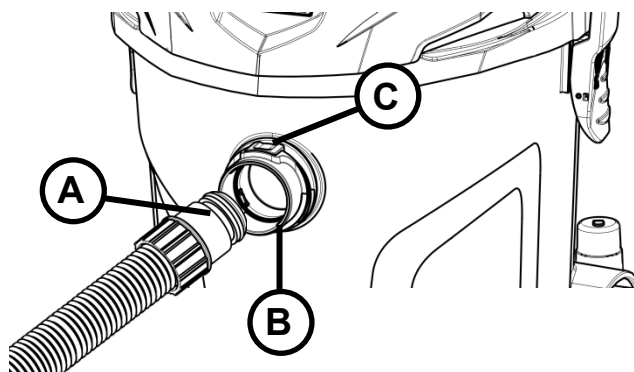


FIG. 7

4.4 BLASBETRIEB - EINSETZEN UND ENTFERNEN DES SCHLAUCHS

Das Gerät kann auch zum Blasen benutzt werden. In einigen Fällen ist es einfacher, den Schmutz zuerst mit Hilfe der Blasfunktion zusammenzutragen, um ihn dann aufzusaugen.

Für den Blasfunktion den Schlauch in die Blasöffnung (A) einsetzen, genauso wie vorher in die Saugöffnung.

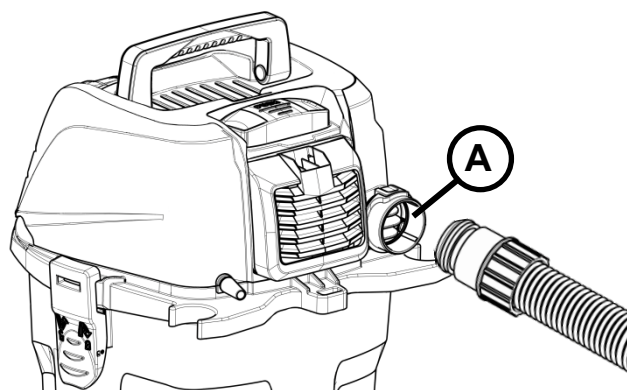


FIG. 8

4.5 EINSCHALTEN DES GERÄTS

Das Ein- bzw. Ausschalten des Geräts erfolgt durch Drücken des Start-/Stopppknopfes (A).

Zum Gebrauch der zusätzlichen Steckdose (B) (Option) siehe das nächste Kapitel.

Das Gerät kann als Option auch mit einem Druckanzeiger (D) ausgestattet werden. Dieser Anzeiger schaltet sich ein, wenn der Unterdruck hoch ist. Das kann durch einen verstopften Filter verursacht werden, der gesäubert werden muss (siehe in einem späteren Kapitel), oder weil der Staubbeutel voll ist und ersetzt muss.

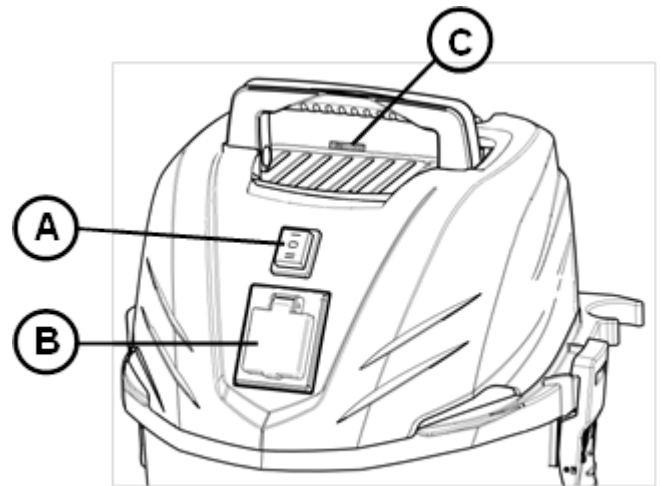


FIG. 9

4.6 GERÄT MIT ZUSÄTZLICHER STECKDOSE UND AUTOM. START/STOPP-FUNKTION

Das Gerät kann optional mit einer zusätzlichen Steckdose ausgestattet werden, die zum Anschluss eines Elektrowerkzeugs genutzt werden kann. Elektrowerkzeug an Steckdose (A) anschließen. Das Handrohr entfernen und den kegelförmigen Adapter (B) einsetzen. Diesen Adapter an das Elektrowerkzeug (C) anschließen. Das Gerät mit Schalter (D) auf die automatische Betriebsart umschalten. Das Gerät startet, wenn das Elektrowerkzeug eingeschaltet wird, und hält mit einer gewissen Verzögerung (Zeit, um den Schlauch zu leeren) an, wenn das Elektrowerkzeug ausgeschaltet wird.

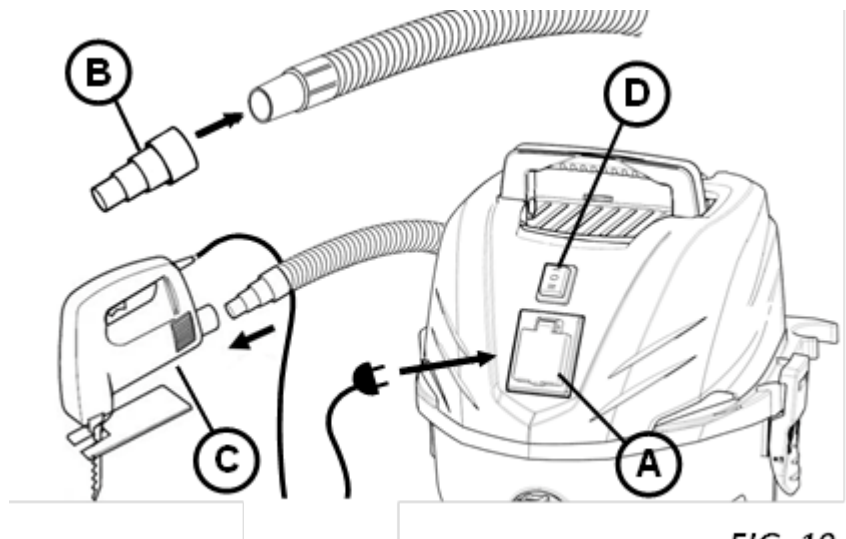


FIG. 10



! WARNUNG - Das Gerät nicht in Betrieb nehmen, wenn sich Filter und Schwimmer nicht in ihrem Sitz befinden, denn sie verhindern, dass Flüssigkeit in den Aufsatz eintritt und den Motor beschädigen kann. Keine Flüssigkeiten aufsaugen, ohne dass ein Schwammfilter eingebaut ist.



! WARNUNG - Um die Gefahr von Unfällen oder Stürzen zu verhindern, das Gerät nicht anheben, wenn dieses aufgrund der angesammelten Flüssigkeit oder des Schmutzes zu schwer ist. Den Behälter ausreichend entleeren, damit das Gerät leicht genug wird, um es problemlos anheben zu können.

HINWEIS: SOLLTE DAS GERÄT UNBEABSICHTIGT UMFALLEN, KANN ES EINEN TEIL SEINER SAUGKRAFT VERLIEREN. SOLLTE DIESER FALL EINTRETEN, DAS GERÄT AUFRECHT STELLEN UND AUSSCHALTEN. DADURCH KANN DER SCHWIMMER AUF SEINE NORMALPOSITION ZURÜCKKEHREN UND WIEDER EINGESETZT WERDEN.



! WARNUNG - Lesen Sie die Sicherheitswarnungen und -anweisungen in Bezug auf die Arten nassen Materials, die mit diesem Gerät nicht aufgesaugt werden dürfen.

! GEFAHR - Zur Ausrüstung gehören Teile wie Schalter, Motoren und Ähnliches mehr, die dazu tendieren, Lichtbögen oder Funken zu erzeugen, die zu einer Explosion führen können. Keine entflammaren, brennbaren oder heißen Materialien aufsaugen. Das Gerät nicht in der Nähe explosionsfähiger Flüssigkeiten oder Dämpfe einsetzen, da elektrische Geräte Lichtbögen oder Funken erzeugen können, die einen Brand oder eine Explosion verursachen können. Nicht an Tankstellen bzw. nicht dort einsetzen, wo Benzin gelagert bzw. verteilt wird.



NOTE!

Das Gerät verfügt über einen Thermoschutz, der den Motor vor hohen Temperaturen schützt. Diese können bei einem intensiven Gebrauch auftreten. Wenn die Motortemperatur während des Betriebs zu einem Ausschalten des Geräts führt, den Schalter auf OFF setzen und den Motor 5 Minuten lang abkühlen lassen. Dann wieder einschalten und den Betrieb wieder aufnehmen.



!WARNUNG - Stellen Sie sicher, dass das mit der zusätzlichen Steckdose verwendete Elektrowerkzeug die an der Steckdose selbst angegebene Leistung nicht überschreitet.

4.7 FLÜSSIGKEITEN AUS DEM BEHÄLTER ENTLEREEN

Um Flüssigkeiten aus dem Behälter zu entleeren, den Ablassstopfen **(A)** lösen und entfernen.

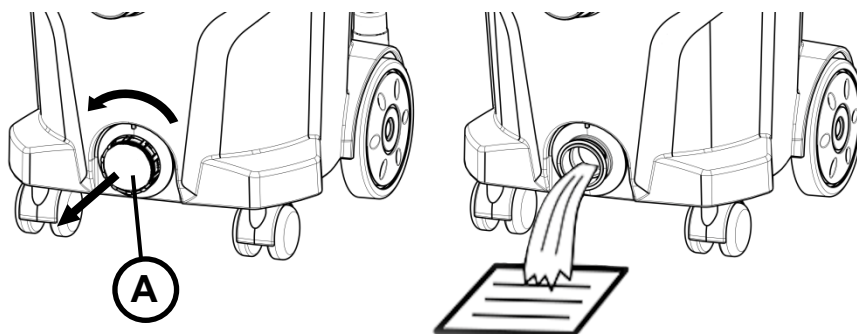


FIG. 11

4.8 STAUB/SCHMUTZ AUS DEM BEHÄLTER ENTLEREEN

Um Staub/Schmutz aus dem Behälter zu entleeren, den Aufsatz abnehmen (siehe Kapitel 3.1). Bei Verwendung eines Staubbeutels diesen entnehmen und einen neuen einsetzen.

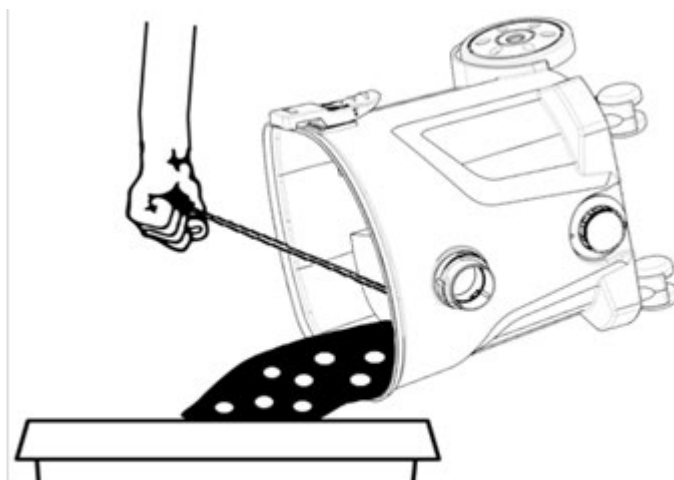


FIG. 12

5. FILTERREINIGUNG

Optional ist das Gerät mit einem halb- bzw. vollautomatischen Filterreinigungssystem ausgestattet.

5.1 MANUELLE FILTERREINIGUNG

Der Filter kann auf folgende Weise manuell gereinigt werden: Drehen Sie den Filter (A), bis er entriegelt, und entfernen Sie ihn vom Kopf. Reinigen Sie den Filter unter kaltem Wasser (B). Lassen Sie es trocknen (C), bis es vollständig getrocknet ist. Filter wieder zusammenbauen.

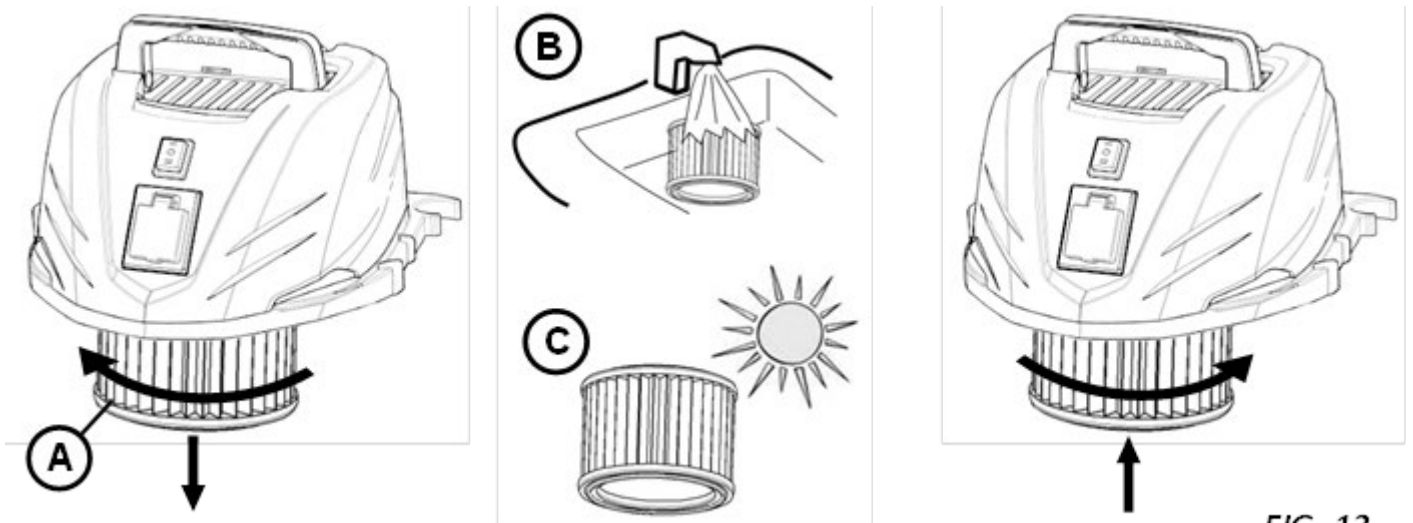


FIG. 13

5.2 HALBAUTOMATISCHE FILTERREINIGUNG

Das Gerät mit einem halbautomatischen Filterreinigungssystem ausgestattet ist, kann der Filter durch Schließen des Handrohrenlasses (A) gereinigt werden. Schließen Sie den Ansaugstutzen (A), indem Sie Ihre Hand auf das Ende des Handrohrs legen oder in den Sitz (B) einführen. Nach Verschließen des Einlasses 2-3 Sekunden abwarten, bis sich der maximale Unterdruck aufgebaut hat. Jetzt die Filterreinigungstaste (C) 5mal schnell hintereinander drücken. Dadurch wird der Filter gereinigt und die Saugleistung wiederhergestellt.

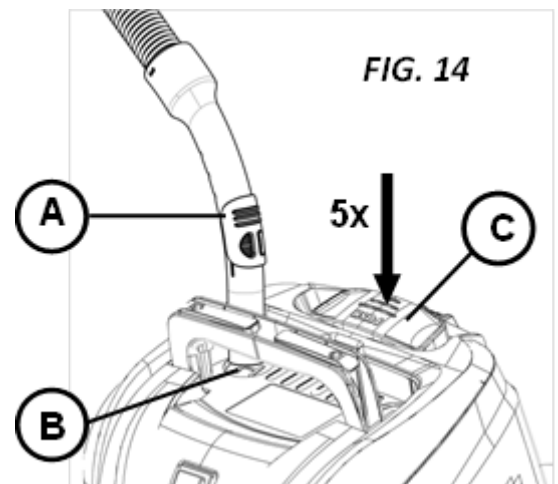


FIG. 14

6. WÄHREND DES GEBRAUCHS BZW. DANACH, LAGERUNG

Den Sauger im INNENBEREICH in einem trockenen Raum bei einer Temperatur über 0°C lagern.

Reinigen Sie den Filter vor der Lagerung des Staubsaugers mit dem halbautomatischen System (siehe Abschnitt 5.2).

Wickeln Sie das Netzkabel um den Griff. Die Schläuche und anderes Zubehör können in den Zubehörhaltern auf der Rückseite der Maschine aufbewahrt werden.

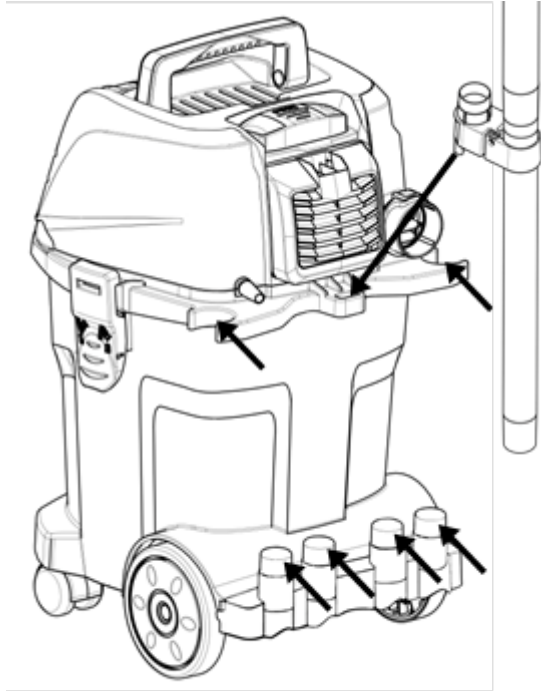


FIG. 15



WARNUNG! Wenn das Gerät nicht benutzt wird, das Stromkabel aus der Steckdose nehmen.

7. STÖRUNGSSUCHE

Die Reparatur oder Wartung elektrischer Teile wie Kabel oder Motor dürfen nur von einer autorisierten Kundendienststelle vorgenommen werden.

Das Gerät startet nicht:	<ul style="list-style-type: none"> • Kontrollieren Sie, dass der Stecker vorschriftsmäßig in der Steckdose steckt und dass Strom vorhanden ist. • Eine Sicherung könnte durchgebrannt sein. Kontrollieren Sie den Sicherungskasten. • Das Kabel oder der Stecker könnten beschädigt sein. Wenden Sie sich an die Kundendienstabteilung, um die Adresse der nächsten autorisierten Kundendienststelle zu erfahren.
Der Motor funktioniert nicht im Automatik-Betrieb.	<ul style="list-style-type: none"> • Das Elektrowerkzeug ist defekt oder nicht vorschriftsmäßig angeschlossen. Kontrollieren Sie, ob das Elektrowerkzeug funktioniert und der Stecker vorschriftsmäßig eingesetzt ist. • Die Nennleistung des Werkzeugs ist zu gering. Beachten Sie, dass die Mindestnennleistung $P > 50W$ beträgt.
Der Motor schaltet sich aus:	<ul style="list-style-type: none"> • Wenn die Motortemperatur zu hoch wird, verfügt ein Thermoschutz das Ausschalten des Motors. Wenn dies eintritt, setzen Sie den Schalter auf OFF. Warten Sie 10 Minuten ab, damit der Motor abkühlt. Dann schalten Sie das Gerät wieder ein und nehmen den Betrieb wieder auf.
Die Saugleistung ist reduziert:	<ul style="list-style-type: none"> • Der Behälter könnte voll sein und muss geleert werden. Siehe Kapitel 4.7 und 4.8. • Das Handrohr, der Schlauch oder die Düsen könnten verstopft sein und müssen gereinigt werden. • Irgend eins der oben genannten Teile könnte beschädigt sein und muss ersetzt werden. • Der Filter könnte verstopft sein. Reinigen Sie den Filter mit Hilfe des Filterreinigungssystems (siehe Kapitel 5). • Kontrollieren Sie den Filter und ersetzen ihn, wenn erforderlich. Stellen Sie sicher, dass er richtig eingesetzt ist. • Die Verbindung zwischen Schlauch und Gerät könnte sich gelockert haben und muss festgezogen werden.
Elektrostatische Entladungen	<ul style="list-style-type: none"> • Wenn die Umgebung zu trocken ist, führen Sie der Luft Feuchtigkeit zu. Wenn möglich, benutzen Sie einen Luftbefeuchter. • Beachten Sie bitte, dass eine geringe Luftfeuchtigkeit den Betrieb des Geräts nicht beeinträchtigt.

8. KONFORMITÄTSERKLÄRUNG

2006/42/CE - 2014/30/UE - 2011/65/CE

Uns:

IP Cleaning S.r.l.
Viale Treviso, 63
30026 Summaga - Portogruaro (VE) – Italy

Hiermit unter unserer Verantwortung erklären wir dass die Maschine auf die diese Erklärung

<p>KLEEN 1/20 TC W&D P KP 1/20 CLEAN TC</p> <p>220-240 V / 50-60 Hz 1400 W nom / 1600 W max</p>	<p>KLEEN 1/30 TC W&D S KS 1/30 CLEAN TC</p> <p>220-240 V / 50-60 Hz 1400 W nom / 1600 W max</p>
---	---

folgenden Richtlinien oder anderen Vorschriftsurkunden entspricht:

- IEC 60335 -1:2010+A1:2013
- IEC 60335 - 2 - 69:2016
- EN 62233: 2008
- EN 55014 - 1:2006+A1:2009+A2:2011
- EN 55014 - 2:1997+A1:2001+A2:2008
- EN 61000 - 3 - 2: 2014
- EN 61000 - 3 - 3: 2013

Entsprechend den Voraussetzungen der Richtlinien: 2006/42/EG (Maschinenrichtlinie)
2014/30/UE (elektromagnetische Verträglichkeit) – 2011/65/EG (RoHS II)

Bevollmächtigter für die Zusammenstellung der technischen Unterlagen

IP Cleaning S.r.l.
Viale Treviso, 63
30026 Summaga - Portogruaro (VE) - Italy

Représentant Légal
Verfahrensvertreter
dott. Pietro Annibaldi Corsano



01/06/2021

9. PRODUKTSPEZIFIKATIONEN

Bezeichnung des Modells	KLEEN 1/20 TC W&D P KP 1/20 CLEAN TC	KLEEN 1/30 TC W&D S KS 1/30 CLEAN TC
Spannung	220-240V	220-240V
Frequenz	50Hz/60Hz	50Hz/60Hz
Leistung	1400 W	1400 W
Angeschlossene Leistung der Geräte-Steckdose	1800 W	1800 W
Gesamtleistung	3200 W	3200 W
Schutzklasse	I	I
Schutzart	IPX4	IPX4
Inhalt des Behälters	20L	30L
Vibrationen	$a_h < 2.5 \text{ m/s}^2$	$a_h < 2.5 \text{ m/s}^2$
Schalldruckpegel in einer Entfernung von 1 m, EN 60704-1		
Schalleistungspegel		
		

CE



MANUAL DE USUARIO

(Traducción de las instrucciones originales en inglés)



KLEEN 1/20 TC W&D P

KLEEN 1/30 TC W&D S

KP 1/20 CLEAN TC

KS 1/30 CLEAN TC



IPC

ESTIMADO CLIENTE

Felicitaciones por la compra de su nueva aspiradora en húmedo y en seco.



Antes de utilizar el aparato por primera vez, lea atentamente este documento y manténgalo al alcance, para leer las instrucciones de uso.

FINALIDAD Y USO PREVISTO

Esta aspiradora ha sido diseñada, desarrollada y rigurosamente probada para funcionar de manera eficiente y segura mientras esté bien mantenida y se utilice de acuerdo con las siguientes instrucciones. Esta aspiradora es adecuada para uso comercial (hoteles, escuelas, hospitales, fábricas, oficinas y negocios de alquiler) y/o para uso doméstico. Solo quienes utilizan la máquina pueden prevenir los accidentes que puedan ser causados por el uso incorrecto de la misma.

PRECAUCIÓN: LEA Y SIGA TODAS LAS INSTRUCCIONES DE SEGURIDAD.

Esta máquina es adecuada para recoger polvos y líquidos no inflamables. Cualquier otro uso se considera un uso inadecuado. El fabricante no se responsabiliza por ningún daño resultante de dicho uso. El riesgo de dicho uso es responsabilidad exclusiva del usuario. El uso apropiado también incluye el correcto funcionamiento, mantenimiento y reparación según las especificaciones del proveedor.



! ATENCIÓN: CONSULTE LAS INSTRUCCIONES DE SEGURIDAD IMPORTANTES ANTES DE UTILIZAR ESTA ASPIRADORA. CONSERVAR PARA FUTURAS CONSULTAS

! PELIGRO: No utilice nunca esta unidad en presencia de materiales o vapores inflamables porque los dispositivos eléctricos producen arcos o chispas que pueden provocar un incendio o una explosión.

¡NUNCA DEJE ESTA MÁQUINA EN FUNCIONAMIENTO SIN SUPERVISIÓN!



! ADVERTENCIA: Use siempre protección ocular para evitar que las piedras o los residuos sopladados reboten y golpeen los ojos o la cara, ya que esto podría causar lesiones graves.

1. INSTRUCCIONES DE SEGURIDAD IMPORTANTES

1.1 INSTRUCCIONES DE USO:

El aparato debe:

- ser utilizado solamente por personas que hayan sido instruidas para su uso correcto y expresamente encargadas para ponerlo en funcionamiento
- ser puesto en funcionamiento solamente bajo supervisión
- Este aparato no está diseñado para ser utilizado por personas (incluso niños) con discapacidades físicas, sensoriales o mentales o con falta de experiencia y conocimiento.
- Se debe vigilar a los niños para asegurarse de que no jueguen con el aparato.
- No utilice técnicas de trabajo inseguras.
- Nunca utilice la aspiradora sin un filtro.
- En las siguientes situaciones, apague el aparato y desconecte el enchufe de alimentación eléctrica:
 - Antes de realizar la limpieza y el mantenimiento
 - Antes de sustituir algún componente
 - Antes de cambiar el aparato
 - Si se crea espuma o sale líquido

Además de las instrucciones de funcionamiento y las normas de prevención de accidentes obligatorias válidas en el país de uso, respete las normas reconocidas de seguridad y uso correcto.

1.2 ADVERTENCIAS IMPORTANTES:

- Para reducir el riesgo de incendio, descarga eléctrica o lesiones, lea y siga todas las instrucciones de seguridad y señales de precaución antes de empezar a usar el aparato. Esta aspiradora ha sido diseñada para ser segura cuando se utilice para funciones de limpieza según las especificaciones. En caso de que alguna pieza eléctrica o mecánica se dañe, la aspiradora y/o el accesorio deben ser reparados por un servicio técnico competente o por el proveedor, antes de que se vuelva a utilizar, para evitar otros daños en la máquina o lesiones físicas del usuario.
- No deje la máquina enchufada. Desenchúfela de la toma cuando no se utilice y antes del mantenimiento.
- No utilice la aspiradora si el cable o el enchufe están dañados. Para desenchufar, tire del enchufe, no del cable. No toque el enchufe o la aspiradora con las manos mojadas. Apague todos los controles antes de desenchufar.
- No tire ni transporte la aspiradora por el cable, no use el cable como mango, no cierre la puerta sobre el cable, ni tire del cable alrededor de bordes o esquinas afiladas. No pase la aspiradora sobre el cable. Mantenga el cable lejos de las superficies calientes.
- Mantenga el cabello, la ropa suelta, los dedos y cualquier otra parte del cuerpo alejados de las aberturas y de las partes móviles.
- No coloque ningún objeto en las aberturas ni utilice la aspiradora con las aberturas bloqueadas. Mantenga las aberturas libres de polvo, pelusas, cabellos y cualquier otra cosa que pueda reducir el flujo de aire.
- ADVERTENCIA: Esta máquina no es adecuada para recoger polvos peligrosos.
- No la utilice para recoger líquidos inflamables o combustibles, como gasolina, ni la use en áreas donde los mismos puedan estar presentes.
- No recoja nada que se esté quemando o humeando, como cigarrillos, fósforos o cenizas calientes.
- Tenga mucho cuidado al limpiar las escaleras.
- No utilice la aspiradora a menos que los filtros estén colocados.
- Si la aspiradora no funciona de manera adecuada o se ha caído, dañado, quedado a la intemperie o sumergido en agua, envíela al servicio técnico o al proveedor.
- Si sale espuma o líquido de la máquina, apáguela inmediatamente.
- La aspiradora no puede utilizarse como una bomba de agua. La aspiradora ha sido diseñada para aspirar mezclas de aire y agua.
- Conecte la aspiradora a una alimentación eléctrica correctamente conectada a tierra. La toma y el cable de prolongación deben tener un conductor de protección que funcione.
- Proporcione una buena ventilación en el lugar de trabajo.
- No use la aspiradora como escalera ni como escalera doble. La aspiradora puede caerse y dañarse.
- Nunca aspire los siguientes materiales: explosivos o gases combustibles, líquidos y partículas de polvo (partículas de polvos reactivos), partículas de polvo de metales reactivos (como aluminio, magnesio, zinc) combinados con detergentes altamente ácidos o alcalinos, álcalis y ácidos fuertes sin diluir o disolventes orgánicos como gasolina, disolventes de pintura, acetona, aceite para calefacción y productos similares.
- Riesgo de incendio. No aspire ningún objeto incandescente o que se esté quemando.
- No recoja líquidos inflamables o combustibles, tales como gasolina o partículas de polvos reactivos, ni use la aspiradora en áreas donde los mismos puedan estar presentes.
- No utilice la aspiradora como pulverizador de líquidos inflamables, tales como pinturas a base de aceite, lacas, limpiadores domésticos, etc.

- Nunca intente aspirar cenizas tibias ni calientes. La temperatura máxima de las cenizas no debe superar los 102 grados Fahrenheit/40 grados Celsius.
- No aspire materiales tóxicos, carcinógenos, combustibles u otros materiales peligrosos como amianto, arsénico, bario, berilio, plomo, pesticidas u otros materiales perjudiciales para la salud.
- Para evitar una combustión espontánea, vacíe el depósito después de cada uso.
- NOTA: Si el ambiente es demasiado seco, puede producirse una descarga estática. Esto no afectará el uso de la aspiradora. Para eliminar dichas descargas, añada humedad al aire con un humidificador o con una consola humidificadora.
- MANTÉNGASE ALERTA y use el sentido común. No use la aspiradora bajo los efectos de drogas, alcohol ni medicamentos, tampoco cuando esté cansado o distraído.
- No deje el cable tirado en el suelo cuando haya terminado el trabajo de limpieza. Este podría convertirse en un peligro de tropiezo.
- Si el cable de alimentación está dañado, debe ser sustituido por el fabricante, su agente de servicio o una persona debidamente cualificada, para evitar peligros.
- No permita que se utilice como un juguete. Se debe prestar mucha atención cuando es utilizado por niños o cerca de ellos.
- Mantenga el material de embalaje fuera del alcance de los niños. ¡Hay riesgos de asfixia!
- Proteja la unidad contra la lluvia. Guárdela solamente en ambientes interiores.
- PRECAUCIÓN: Esta máquina es solamente para uso interior.
- No ponga en funcionamiento la aspiradora bajo la lluvia.
- Cuando vacíe cualquier tipo de polvo fino del depósito, utilice una máscara de protección.
- Antes de conectar el tubo y cualquier accesorio, desconecte la aspiradora.
- No deje la aspiradora enchufada. Desenchúfela de la toma cuando no la utilice y antes de realizar el mantenimiento.
- Conéctela únicamente a un toma con una adecuada conexión de puesta a tierra. Consulte las instrucciones de puesta a tierra.
- ADVERTENCIA: Los operadores deben estar debidamente instruidos para el uso de estas máquinas.
- PRECAUCIÓN: Limpie regularmente el dispositivo de limitación del nivel del agua y controle si presenta signos de daños.
- El flotador tiene la función de parar la aspiración cuando el barril está lleno de líquidos o en caso en que se derrumbe; verificar regularmente que no este dañado y que sus movimientos no sean impedidos. Limpiar o substituir siempre que sea necesario.

1.3 APLICABLE SOLAMENTE EN EL REINO UNIDO

Por favor, lea las siguientes instrucciones fundamentales.

Estas instrucciones se han elaborado con fundamentos de seguridad y eficiencia. El operador de la máquina debe ser capacitado por un instructor cualificado y debe comprender estas instrucciones de uso, además, debe conocer los reglamentos y las leyes en vigor en el momento de su uso.

Esta máquina de 240 V y 50 Hz está equipada con un enchufe moldeado de 3 pines de 13 A. El enchufe está equipado con un fusible extraíble de 13 A. Los repuestos adecuados de los fusibles están identificados mediante marcas o códigos de colores. Solamente deben instalarse fusibles aprobados por ASTA para BS 1362. Nunca utilice el enchufe sin la tapa de fusibles colocada. Las tapas de repuesto de los fusibles se encuentran disponibles en cualquier tienda de productos eléctricos.

1.4 PRUEBAS Y HOMOLOGACIONES

Se deben realizar pruebas eléctricas en conformidad con las disposiciones de las normas de seguridad EN 62638. Estas pruebas deben realizarse en intervalos regulares y después de las reparaciones o modificaciones. Esta aspiradora ha sido aprobada en conformidad con la norma IEC/EN 60335-2-69.

NB: Los dibujos son meramente indicativos.

2. INFORMACIÓN GENERAL

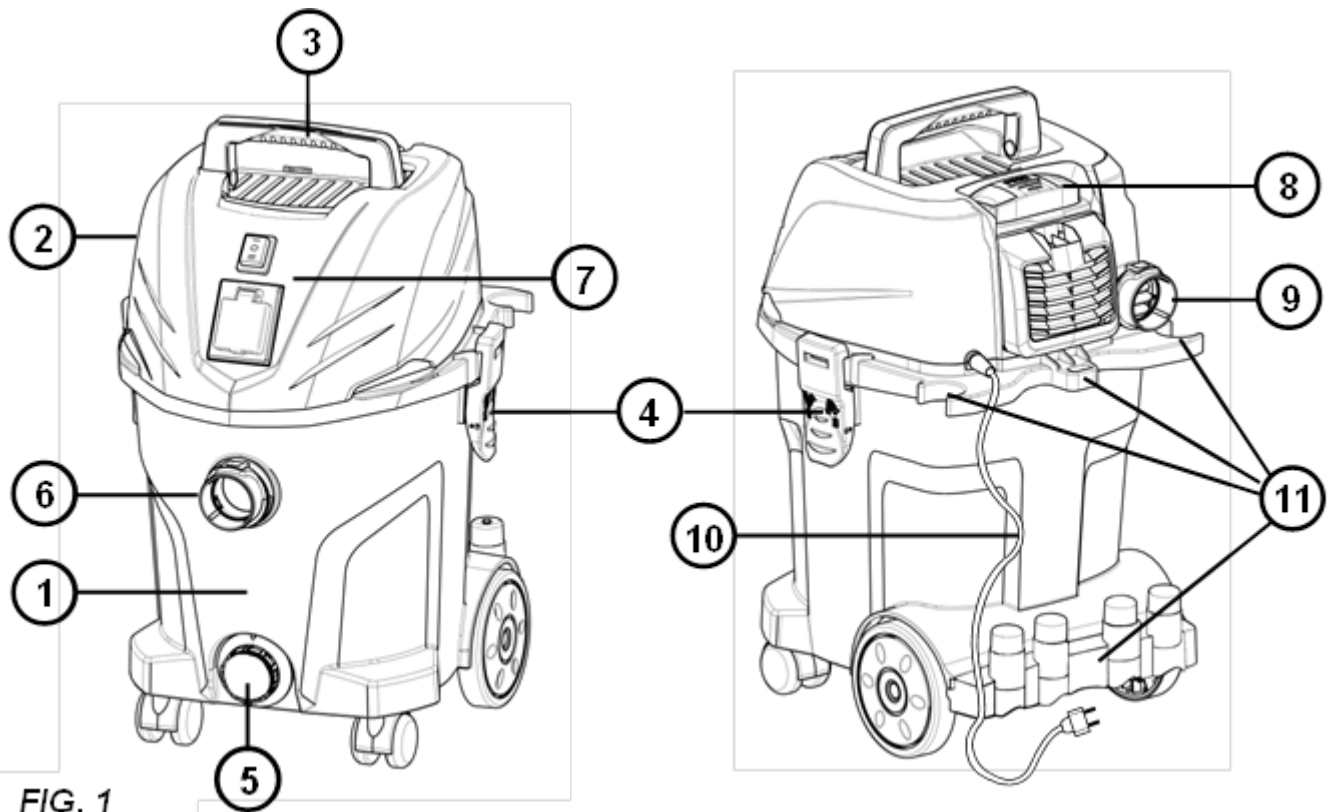


FIG. 1

- | | | |
|--------------------------|---|--|
| 1. Depósito | 8. Botón de limpieza del filtro | 15. Escobilla de goma (para líquidos) |
| 2. Cabezal | 9. Salida de soplido | 16. Boquilla para rendijas |
| 3. Manejar | 10. Enchufe del cable | 17. Boquilla con cepillo |
| 4. Abrazadera | 11. Soportes de almacenamiento de las boquillas | 18. Adaptador para herramienta eléctrica |
| 5. Salida de drenaje | 12. Tubo con tubo de mano | 19. Bolsa para el polvo (en seco) |
| 6. Entrada de aspiración | 13. Tubos | |
| 7. Panel de control | 14. Cepillo de polvo (en seco) | |

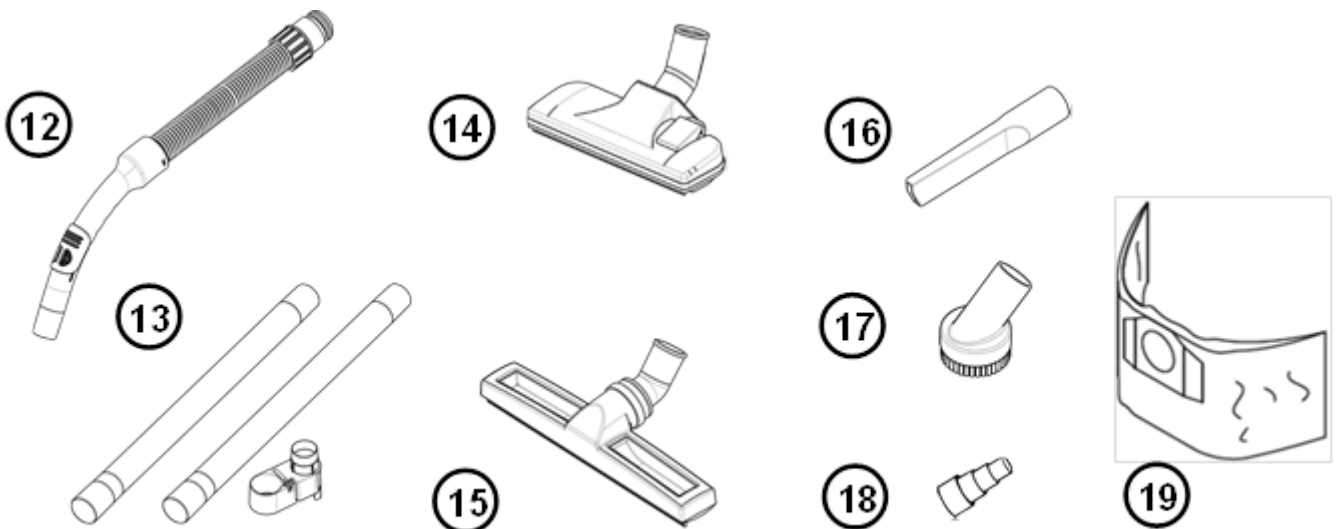


FIG. 2

Algunos de estos accesorios se encuentran empaquetados dentro del depósito. Si falta alguna pieza, póngase en contacto con nuestro departamento de servicio al cliente.

3. INSTRUCCIONES PARA LA PRIMERA CONFIGURACIÓN

Lea atentamente el capítulo 1 - INSTRUCCIONES DE SEGURIDAD IMPORTANTES del presente manual antes de configurar y utilizar la aspiradora.

3.1 ACCESORIOS

Durante el transporte, las boquillas y los accesorios de la máquina se almacenan en el depósito. Para abrir el depósito, abra las abrazaderas y quite el cabezal. Quite los elementos y vuelva a colocar el cabezal. Fije el cabezal con las abrazaderas.

Consulte el capítulo 6, para saber donde almacenar los accesorios de la máquina.

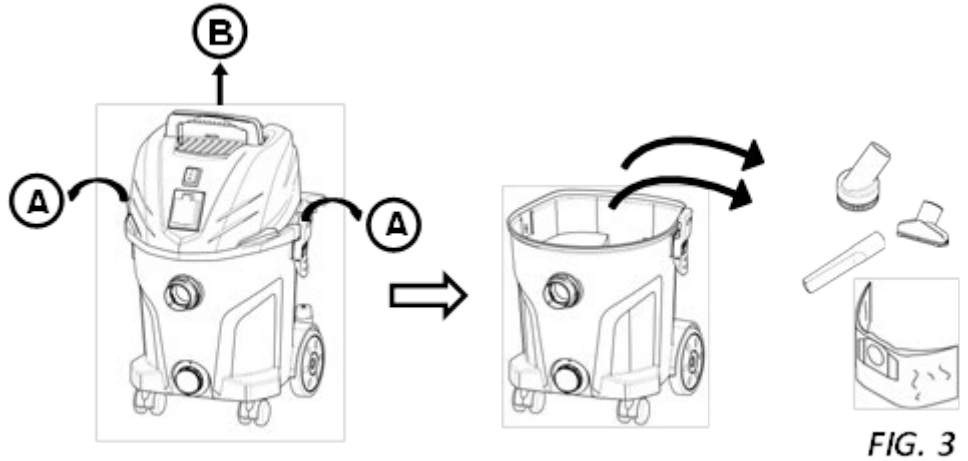


FIG. 3

4. UTILIZACIÓN DE LA ASPIRADORA

Lea atentamente el capítulo 1 - INSTRUCCIONES DE SEGURIDAD IMPORTANTES del presente manual antes de configurar y utilizar la aspiradora.

4.1 TRABAJAR CON BOLSAS PARA EL POLVO

En caso de aspiración de polvo seco, es posible utilizar una bolsa para el polvo opcional para recoger el polvo y facilitar su eliminación. Para insertar la bolsa para el polvo, quite el cabezal (véase también la figura 3). Inserte la bolsa para el polvo como se muestra en la figura 6. Vuelva a colocar el cabezal y fíjelo con las abrazaderas.

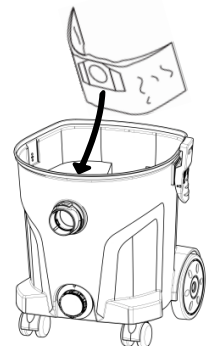


FIG. 4

4.2 ASPIRACIÓN DE SUELOS SECOS O MOJADOS

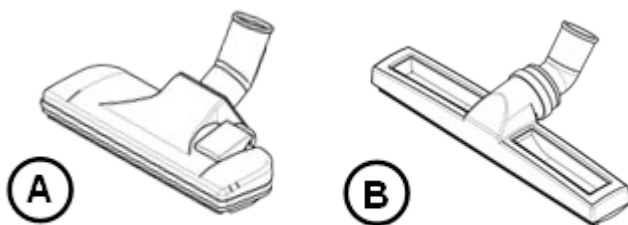


FIG. 5

Para aspirar el polvo seco y los residuos, utilice la boquilla para suelos en seco (A) con el cepillo de cerda.

Para aspirar líquidos, use el cepillo de la escobilla de goma (B).

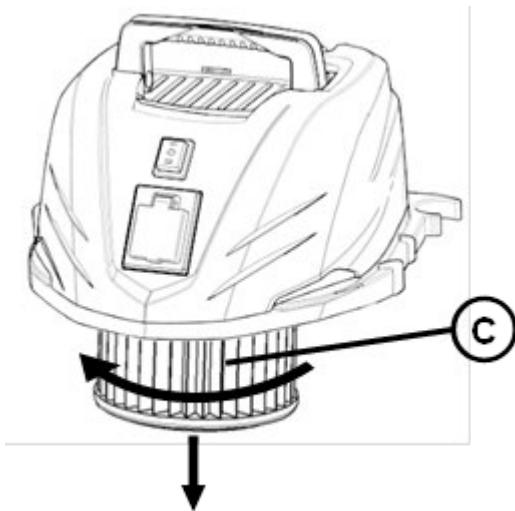


FIG. 6



NOTE!

Al aspirar líquidos es necesario quitar el filtro: retire la cabeza del motor (vea también la figura 3), gire el filtro hasta que se desbloquee y retírelo de su asiento, vuelva a montar la cabeza.

4.3 ASPIRACIÓN - INSERCIÓN Y EXTRACCIÓN DEL TUBO

Para aspirar, inserte el tubo (A) en la entrada de aspiración (B).

Para quitar la manguera, presione el botón (C) y gire con un movimiento.

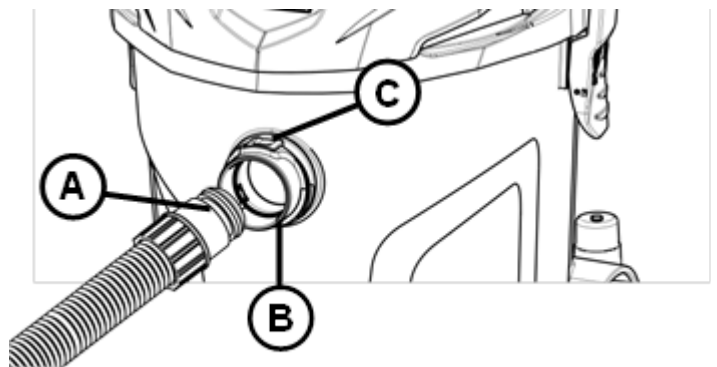


FIG. 7

4.4 SOPLIDO - INSERCIÓN Y EXTRACCIÓN DEL TUBO

Esta máquina también se puede utilizar para el soplido. En algunos casos, es más fácil primero soplar los desechos y luego recogerlos.

Para utilizar la función de soplido, inserte el tubo en la salida de soplido (A) del mismo modo que en la entrada de aspiración.

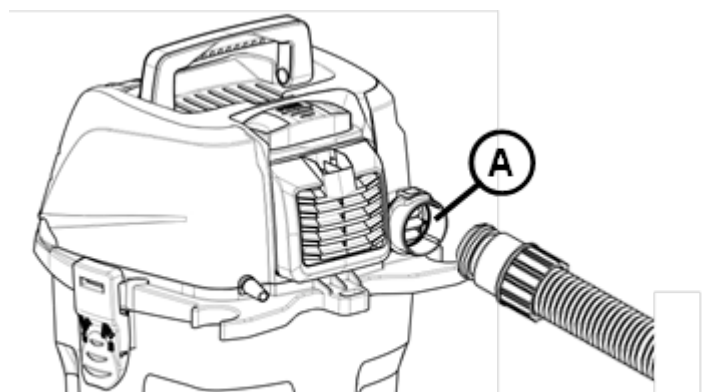


FIG. 8

4.5 ENCENDIDO DE LA MÁQUINA

La máquina se enciende y se apaga presionando el botón start/stop (A).

Para utilizar la toma opcional (B), consulte el capítulo siguiente.

De manera opcional, la máquina se puede configurar con un indicador (D). El indicador se enciende cuando la presión negativa es alta. Esto podría ser debido a que el filtro está obstruido y necesita ser cambiado (consulte el capítulo siguiente) o que la bolsa necesita ser sustituida.

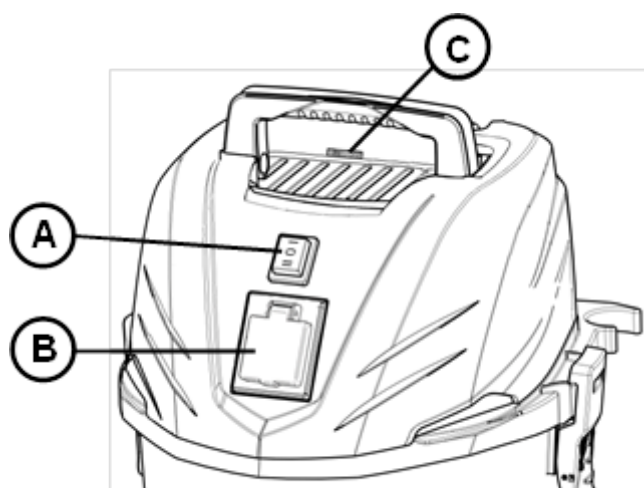


FIG. 9

4.6 MÁQUINA CON TOMA Y ENCENDIDO/APAGADO AUTOMÁTICO

De manera opcional, la máquina se puede equipar con un toma, que se puede utilizar para conectar una herramienta eléctrica. Conecte la herramienta eléctrica en la toma (A). Quite el tubo de mano y fije el adaptador cónico (B). Introduzca el adaptador cónico en la herramienta eléctrica (C). Coloque la máquina en modo AUTO con el interruptor (D). La máquina se pondrá en marcha cuando se encienda la herramienta eléctrica y se apagará con dilación (para vaciar el tubo) cuando la herramienta eléctrica se apague.

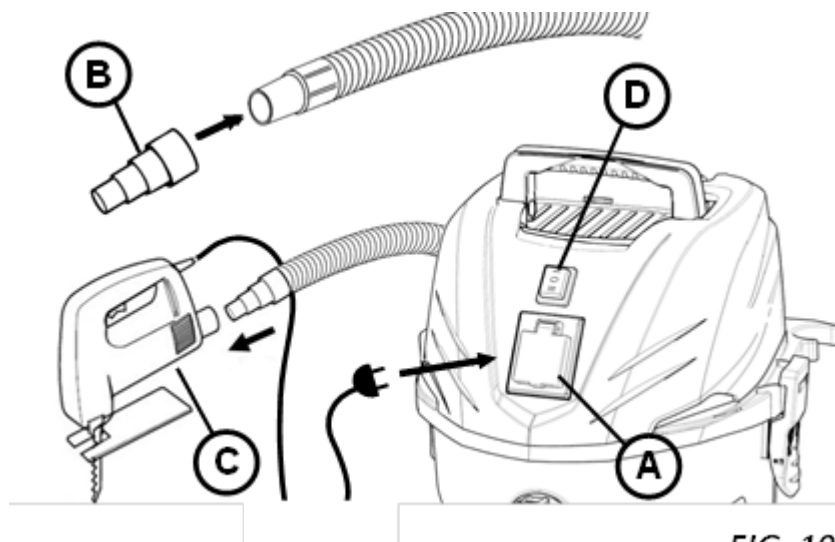


FIG. 10



! ADVERTENCIA - No trabaje sin filtro de cesta y flotador, ya que estos evitan que el líquido entre en el impulsor y que se dañe el motor. No aspire ningún tipo de líquido sin que se haya instalado un filtro de esponja.



! ADVERTENCIA - Para reducir el riesgo de lesiones a la espalda o caídas, no levante la aspiradora con líquidos y residuos. Quite o drene el contenido necesario para que la aspiradora sea suficientemente liviana para poder levantarla cómodamente.

NOTA: EN CASO DE CAÍDA ACCIDENTAL, LA ASPIRADORA PODRÍA PERDER ASPIRACIÓN. SI ESTO SUCEDE, COLOQUE LA ASPIRADORA EN POSICIÓN VERTICAL Y APAGUE EL INTERRUPTOR. ESTO PERMITIRÁ QUE EL FLOTADOR VUELVA A SU POSICIÓN NORMAL, Y USTED PODRÁ CONTINUAR CON LA OPERACIÓN.



! ADVERTENCIA - Lea las instrucciones y las advertencias de seguridad con respecto a los tipos de materiales húmedos que no se pueden aspirar con este producto.

! PELIGRO - Este equipo contiene piezas como interruptores, motores o similares que tienden a producir arcos o chispas que pueden causar explosiones. No recoja materiales inflamables, combustibles o calientes. No utilice este aparato cerca de líquidos o vapores explosivos, ya que, al ser un dispositivo eléctrico, produce arcos o chispas que pueden provocar incendios o explosiones. No utilice este aparato en estaciones de servicio ni en ningún lugar donde se dispense o almacene gasolina.



NOTE!

Esta aspiradora cuenta con un protector de sobrecarga térmica para proteger el motor contra las altas temperaturas. Esto puede ocurrir en caso de uso intensivo. Si el motor se apaga durante el funcionamiento a causa de la temperatura, apague el interruptor y deje que el motor se enfríe durante 5 minutos. Encienda el interruptor y reanude el funcionamiento.



!ADVERTENCIA: asegúrese de que la herramienta eléctrica utilizada con el zócalo adicional no exceda la potencia indicada en el mismo zócalo.

4.7 VACIADO DEL DEPÓSITO DE LÍQUIDO

Para vaciar el depósito de líquido desenrosque el tapón de drenaje **(A)** y quítelo.

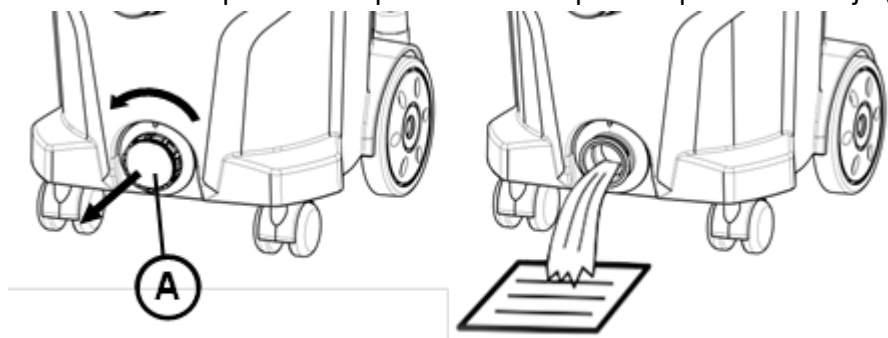


FIG. 11

4.8 VACIADO DEL DEPÓSITO DE POLVO/RESIDUOS

Para vaciar el depósito de polvo/residuos, quite el cabezal (véase el capítulo 3.1). Si está utilizando una bolsa para el polvo, quítela y coloque una nueva.

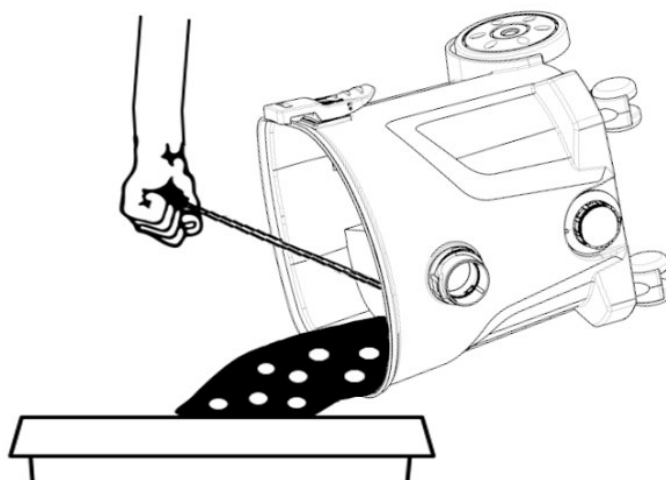


FIG. 12

5. LIMPIEZA DEL FILTRO

La máquina puede equiparse, de manera opcional, con un sistema semiautomático de limpieza del filtro o con un sistema totalmente automático de limpieza del filtro.

5.1 LIMPIEZA MANUAL DEL FILTRO

El filtro se puede limpiar manualmente de la siguiente manera: gire el filtro (A) hasta que se desbloquee y retírelo del cabezal, limpie el filtro con agua fría (B). Déjalo secar (C) hasta que esté completamente seco. Vuelva a armar el filtro.

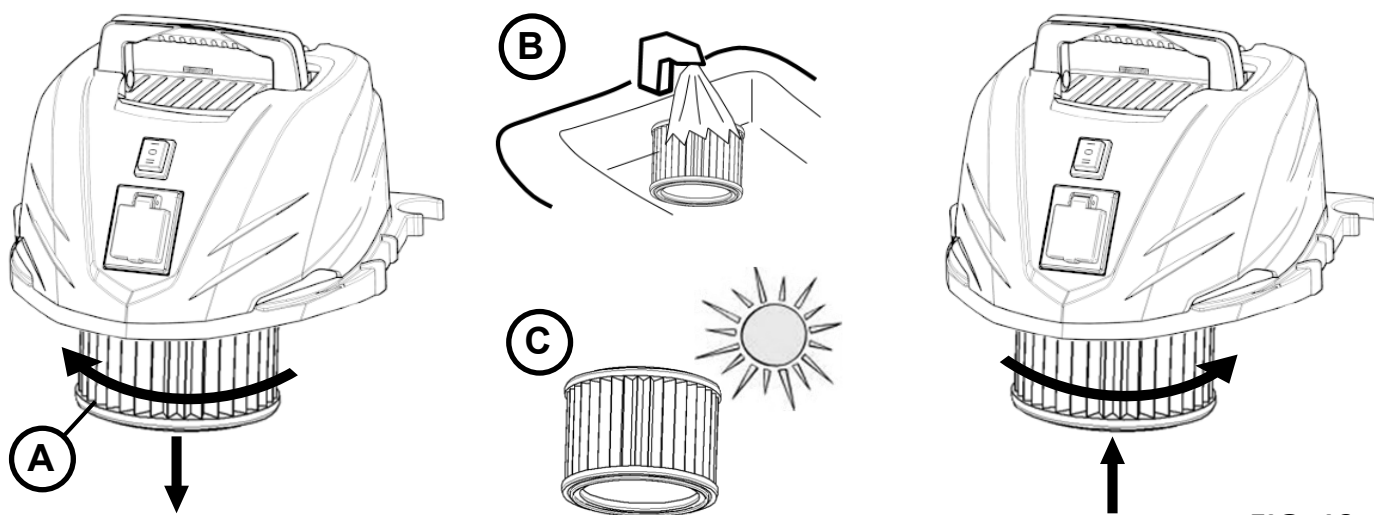


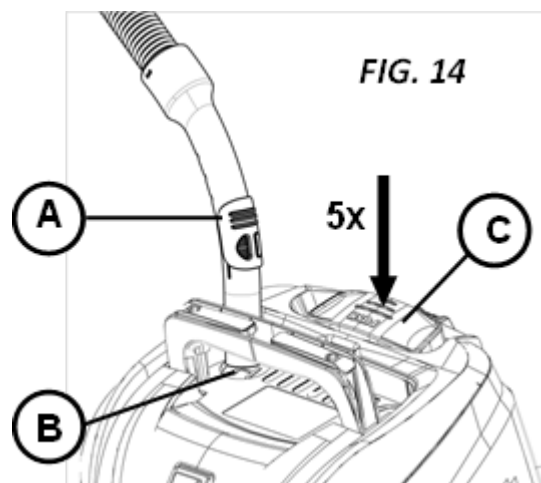
FIG. 13

5.2 SISTEMA SEMIAUTOMÁTICO DE LIMPIEZA DEL FILTRO

Si la máquina está equipada con el sistema semiautomático de limpieza del filtro, el filtro puede limpiarse cerrando la entrada del tubo de mano (A).

Cierre la entrada de succión (A) colocando su mano en el extremo del tubo de mano o insertándola en el asiento (B).

Después de cerrar la entrada, espere 2 o 3 segundos hasta que se haya generado la presión negativa máxima. Presione rápidamente 5 veces seguidas el botón de limpieza del filtro (C). Esta acción limpiará el filtro y restaurará el rendimiento de aspiración.



6. ALMACENAMIENTO, DURANTE Y DESPUÉS DEL USO

Almacene la aspiradora en un ambiente INTERNO, en una habitación seca y con una temperatura superior a 0°C.

Antes de guardar la aspiradora, limpie el filtro con un sistema semiautomático (consulte el párrafo 5.2). Envuelva el cable de alimentación alrededor del mango. Las mangueras y otros accesorios se pueden almacenar en los soportes de accesorios ubicados en la parte posterior de la máquina.

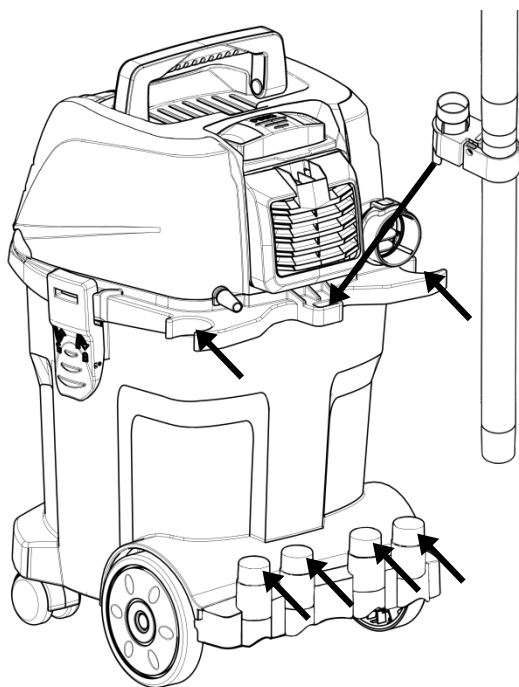


FIG. 15



¡ADVERTENCIA! Cuando no se utilice el aparato, desconecte el cable de alimentación de la toma eléctrica.

7. RESOLUCIÓN DE PROBLEMAS

La reparación o utilización de los componentes eléctricos, tales como el cable o el motor, deben ser realizados en un centro de servicio técnico autorizado.

<p>La aspiradora no se enciende:</p>	<ul style="list-style-type: none"> • Controle que el enchufe esté colocado en modo correcto en la toma eléctrica y que llegue potencia al equipo. • Es posible que un disyuntor se haya disparado. Controle la caja del disyuntor. • El cable o el enchufe podrían haberse dañado. Póngase en contacto con el Departamento de Servicio al Cliente para encontrar el centro de servicio técnico autorizado más cercano.
<p>El motor no funciona en modo automático</p>	<ul style="list-style-type: none"> • La herramienta eléctrica está defectuosa o no está conectada correctamente. Controle que la herramienta eléctrica funcione o que el enchufe esté introducido de manera correcta. • La potencia nominal de la herramienta eléctrica es demasiado baja. Nótese que la potencia nominal mínima es $P > 50W$
<p>El motor se detiene:</p>	<ul style="list-style-type: none"> • Un protector de sobrecarga térmico apaga el motor si la temperatura del motor es demasiado alta. Si esto sucede, apague el interruptor. Espere 10 minutos para que el motor se enfríe. Encienda el interruptor y reanude el funcionamiento.
<p>La potencia de aspiración es reducida:</p>	<ul style="list-style-type: none"> • Es posible que el depósito esté lleno y que sea necesario vaciarlo. Consulte los capítulos 4.7 y 4.8. • Es posible que las varillas, el tubo y la boquilla estén obstruidos y que sea necesario limpiarlos. • Es posible que uno de los elementos citados anteriormente esté dañado y que sea necesario sustituirlo. • El filtro podría estar obstruido. Utilice el sistema de limpieza del filtro (consulte el capítulo 5) para limpiar el filtro. • Controle el filtro y, si es necesario, sustitúyalo. Asegúrese de que esté instalado adecuadamente. • La conexión del tubo está floja y es necesario ajustarla.
<p>Descargas estáticas:</p>	<ul style="list-style-type: none"> • Si el ambiente es demasiado seco, añada humedad al aire. Si es posible, utilice un humidificador. • En caso de que la humedad relativa del aire sea demasiado baja, nótese que esta situación no afecta el funcionamiento de la aspiradora.

8. DECLARACIÓN DE CONFORMIDAD

2006/42/CE - 2014/30/UE - 2011/65/CE

Nosotros:

IP Cleaning S.r.l.
Viale Treviso, 63
30026 Summaga - Portogruaro (VE) – Italy

declaramos bajo nuestra responsabilidad que el producto

<p>KLEEN 1/20 TC W&D P KP 1/20 CLEAN TC</p> <p>220-240 V / 50-60 Hz 1400 W nom / 1600 W max</p>	<p>KLEEN 1/30 TC W&D S KS 1/30 CLEAN TC</p> <p>220-240 V / 50-60 Hz 1400 W nom / 1600 W max</p>
---	---

a las que se refiere esta declaración, cumple con las siguientes reglas:

- IEC 60335 -1:2010+A1:2013
- IEC 60335 - 2 - 69:2016
- EN 62233: 2008
- EN 55014 - 1:2006+A1:2009+A2:2011
- EN 55014 - 2:1997+A1:2001+A2:2008
- EN 61000 - 3 - 2: 2014
- EN 61000 - 3 - 3: 2013

de acuerdo con las disposiciones de las directivas: 2006/42/CE (Directiva de Máquinas)
2014/30/UE (Compatibilidad electromagnética EMC) - 2011/65/CE (Directiva RoHS II)



Persona autorizada para elaborar el expediente técnico
IP Cleaning S.r.l.
Viale Treviso, 63
30026 Summaga - Portogruaro (VE) - Italy

Representante legal
Legal Representative
dott. Pietro Annibaldi Corsano



01/06/2021

9. ESPECIFICACIONES DEL PRODUCTO

Nombre del modelo	KLEEN 1/20 TC W&D P KP 1/20 CLEAN TC	KLEEN 1/30 TC W&D S KS 1/30 CLEAN TC
Tensión	220-240V	220-240V
Frecuencia	50Hz/60Hz	50Hz/60Hz
Potencia	1400 W	1400 W
Carga conectada para el enchufe del aparato	1800 W	1800 W
Potencia total	3200 W	3200 W
Clase de protección	I	I
Tipo de protección	IPX4	IPX4
Volumen del depósito	20L	30L
Vibración	$a_h < 2.5 \text{ m/s}^2$	$a_h < 2.5 \text{ m/s}^2$
Nivel de presión acústica a una distancia de 1 m, Norma EN 60704-1		
Nivel de potencia acústica		
		

CE



HASZNÁLATI ÚTMUTATÓ

(Eredeti útmutató)



KLEEN 1/20 TC W&D P

KLEEN 1/30 TC W&D S

KP 1/20 CLEAN TC

KS 1/30 CLEAN TC



IPC

TISZTELT FELHASZNÁLÓ!



Gratulálunk új, nedves/száraz üzemű porszívójához!



A készülék első használata előtt olvassa végig figyelmesen az útmutatót, és tartsa azt a porszívó közelében, hogy szükség esetén fellapozhassa.

RENDELTETÉSSZERŰ HASZNÁLAT

A szigorú vizsgálatoknak alávetett porszívót úgy alakították ki, illetve állították elő, hogy rendeltetészerű használat és az alábbi előírásoknak megfelelő karbantartás esetén hatékonyan és biztonságosan működjön. A porszívó kereskedelmi (szállodákban, iskolákban, kórházakban, gyártóüzemekben, irodákban és kölcsönözőkben történő) felhasználás és háztartási használat céljára egyaránt alkalmas. A helytelen használatból származó balesetek kizárólag a kezelőszemélyzet tagjai által előzhetőek meg.

VIGYÁZAT: OLVASSA VÉGIG ÉS TARTSA BE A BIZTONSÁGI ELŐÍRÁSOKAT.

A készülék száraz, gyúlékonyak nem minősülő por és folyadék felporszívózására szolgál. Bármilyen egyéb felhasználási mód rendeltetésellenes használatnak minősül. A gyártó semmilyen felelősséget nem vállal a rendeltetésellenes használatból származó károkért. A rendeltetésellenes használattal összefüggő kockázatok egyedül és kizárólag a felhasználót terhelik. A rendeltetészerű használat a gyártó, illetve a beszállító által előírt, szakszerű üzemeltetést, javítást és karbantartást is magában foglalja.



!FIGYELEM: A PORSZÍVÓ HASZNÁLATA ELŐTT OLVASSA VÉGIG FIGYELMESEN A FONTOS BIZTONSÁGI ELŐÍRÁSOKAT. ŐRIZZE MEG AZ ÚTMUTATÓT A KÉSŐBBI FELHASZNÁLÁS ÉRDEKÉBEN.

!VESZÉLY: Soha ne használja a készüléket gyúlékony anyagokat vagy gőzöket tartalmazó környezetben, mivel az elektromos eszközök működése tűz- és robbanásveszélyes ív-, illetve szikraképződéssel jár!

SOHA NE HAGYJA ŐRIZETLENÜL A BEKAPCSOLT KÉSZÜLÉKET!



!FIGYELEM: Mindig viseljen védőszemüveget, mivel a kirepülő törmelékdarabok súlyos szem-, illetve arcsérüléseket okozhatnak!

1. FONTOS BIZTONSÁGI ELŐÍRÁSOK

1.1 HASZNÁLATTAL KAPCSOLATOS TUDNIVALÓK:

A készülék szakszerű használatával összefüggő előírások:

- A porszívót kizárólag olyan személyek használhatják, akik megfelelő ismeretekkel rendelkeznek a rendeltetészerű felhasználásra vonatkozólag, és akiket kifejezetten a készülék üzemeltetésével bíztak meg.
- Ne hagyja őrizetlenül a bekapcsolt készüléket!
- A korlátozott fizikai, érzékszervi vagy mentális képességekkel rendelkező, vagy a szükséges tapasztalatok és ismeretek birtokában nem lévő személyek, valamint gyermekek nem használhatják a készüléket.
- Gondoskodjon a közelben tartózkodó gyermekek megfelelő felügyeletéről, hogy ne játszhassanak a készülékkel.
- Ne alkalmazzon olyan munkamódszereket, amelyek nem számítanak biztonságosnak!

- Soha ne használja a porszívót szűrő nélkül!
- Az alábbi esetekben kapcsolja ki a készüléket, és válassza azt le a hálózati aljzatról:
 - Tisztítás és javítás előtt.
 - Alkatrészcsere elvégzése előtt.
 - A készülék átállítása előtt.
 - Habképződés, illetve folyadékszivárgás esetén.

A jelen Használati útmutató rendelkezésein, valamint a felhasználás helye szerinti ország hatályos balesetvédelmi előírásain kívül a biztonságos és szakszerű használatra vonatkozó, általánosan elismert szabályok is betartandók.

1.2 FONTOS FIGYELMEZTETÉSEK:

- A tűz, az áramütés és a sérülések kockázatának mérséklése érdekében használat előtt olvassa végig a biztonsági előírásokat, és sajátítsa el a figyelmeztető jelzéseket. A készüléket úgy alakították ki, hogy a feltüntetett tisztítási feladatok biztonságosan elvégezhetővé váljanak a segítségével. Az elektromos vagy mechanikus alkatrészek megsérülése esetén, a készülék további károsodásának, illetve a felhasználót érintő sérüléseknek a megelőzése érdekében javítsa meg a porszívót és/vagy az adott tartozékot egy szakszervizzel vagy a beszállítóval.
- Ne hagyja őrizetlenül a hálózathoz csatlakoztatott készüléket! Használat után, illetve karbantartás előtt válassza azt le a hálózati aljzatról.
- Ne használja a porszívót, ha megsérült a készülék kábele vagy csatlakozója! A készüléket a csatlakozónál, és ne a kábelnél fogva válassza le. Ne érintse meg nedves kézzel a csatlakozót, illetve a porszívót! Mielőtt leválasztaná a készüléket, kapcsolja ki az összes kezelőszervet.
- Soha ne húzza meg, illetve hordozza a készüléket a kábelnél fogva, ne használja fogantyúként, vagy ajtó bezárására a kábelt, és ne húzza meg a kábelt éles sarkok mentén! Ne tolja át a porszívót a kábelen! Tartsa távol a kábelt a fűtött felületektől!
- Tartsa távol a haját, a túlságosan bő szabású ruházatát, az ujjait és egyéb testrészeit a készülék kivezető nyílásaitól és mozgóalkatrészeitől!
- Ne helyezzen semmilyen tárgyat a kivezető nyílásokba, és ne használja eltömődött nyílásokkal a készüléket! Óvja meg a készülék kivezető nyílásait a portól, szösztől, hajsálaktól és minden egyébtől, ami csökkentheti a levegő áramlását.
- FIGYELEM: A készülék nem alkalmas veszélyes por felporszívózására!
- Ne használja a készüléket gyúlékony vagy éghető folyadékok, például benzin felporszívózására, illetve ilyen anyagokat tartalmazó környezetben!
- Ne porszívózzon fel izzó, illetve parázsló anyagokat, például cigarettát, gyufát vagy forró hamut!
- Különös óvatossággal járjon el lépcsőn történő tisztításkor.
- A készüléket kizárólag behelyezett szűrőkkel használja.
- Ha a porszívó nem működik megfelelően, vagy ha leejtették, megsérült, hosszú időre a szabadban felejtették vagy vízbe ejtették, vizsgáltsa azt meg a márkaszervizzel vagy a beszállítóval.
- Hab-, illetve folyadékszivárgás esetén haladéktalanul kapcsolja ki a készüléket!
- A porszívó nem használható vízszivattyúként. A porszívó levegő és víz keverékének felporszívózására szolgál.
- Szakszerűen földelt hálózati aljzathoz csatlakoztassa a porszívót. A csatlakozóaljzatnak és a hosszabbítónak működő védővezetékekkel kell rendelkeznie.
- Gondoskodjon megfelelő szellőzésről a felhasználás helyén.
- Ne használja a porszívót létraként, illetve fellépőként! Ellenkező esetben felbillenhet és megsérülhet a porszívó.

- Soha ne porszívózza fel a következő anyagokat: robbanásveszélyes vagy éghető gázok, folyadékok és porrészcsek (reakcióképes porrészcsek), reakcióképes, fémtartalmú porszemcsék (mint például alumínium, magnézium, cink) erősen lúgos vagy savas tisztítószerrel, hígítatlan, erős hatású savakkal, lúgokkal, vagy szerves oldószerekkel, mint például benzinnel, festékfíttókkal, acetonnal, fűtőolajjal és hasonló termékekkel együtt.
- Tűzveszély! Ne porszívózzon fel parázsló, illetve izzó anyagokat!
- Ne használja a készüléket gyúlékony vagy éghető folyadékok, például benzin, folyadékok, reakcióképes porrészcsek felporszívózására, illetve ilyen anyagokat tartalmazó környezetben!
- Ne használja a porszívót gyúlékony folyadékok, mint például olajalapú festékek, lakkok, háztartási tisztítószer stb. permetezésére!
- Ne porszívózzon fel forró, illetve meleg hamut! A készülék legfeljebb 40 °C (102 °F) hőmérsékletű hamu felporszívózására alkalmas.
- Ne porszívózzon fel mérgező, rákkeltő, éghető vagy egyéb veszélyes anyagot, mint például azbesztet, arzént, báriumot, berilliumot, ólmot, rovarirtó szereket vagy más egészségkárosító anyagokat!
- A spontán égés elkerülése érdekében minden egyes használat után ürítse ki a tartályt.
- MEGJEGYZÉS: Túlságosan száraz környezetben elektrosztatikus kisülés tapasztalható. Azonban ez nem érinti a készülék használatát. Az említett jelenség megelőzése érdekében használjon párasítót a levegő páratartalmának megnöveléséhez.
- LEGYEN MINDIG ÉBER és elővigyázatos! Ne használja a porszívót, ha gyógyszer, alkohol vagy orvosság hatása alatt áll, vagy ha túlságosan fáradt vagy zaklatott!
- Használat után ne feledje el felcsévélni a kábelt. Ellenkező esetben véletlenül megbolthathat benne.
- A sérült tápkábel a veszélyhelyzetek megelőzése érdekében a gyártóval, szerviztechnikussal, illetve más, hasonló képzettséggel rendelkező szakemberrel cseréltesse ki.
- Ügyeljen rá, hogy a gyermekek ne játszhassanak a készülékkel. Ha a készüléket gyermekek használják, vagy ha gyermekek tartózkodnak annak közelében, fokozott figyelemmel járjon el.
- Tartsa távol a csomagolóanyagokat a gyermekektől. Ellenkező esetben fulladást okozhatnak!
- Óvja meg a készüléket az esőtől. Kizárólag zárt és fedett helyen tárolja.
- VIGYÁZAT: A készülék kizárólag beltérben használható.
- Ne használja a porszívót esőben!
- Az apró porrészcsekkel szembeni védelem érdekében viseljen védőmaszkot a tartály kiürítésekor.
- A tömlő és a tartozékok csatlakoztatása előtt válassza le a készüléket a hálózatról.
- Ne hagyja őrizetlenül a hálózathoz csatlakoztatott készüléket! Használat után, illetve karbantartás és javítás előtt válassza azt le a hálózati aljzatról.
- A készülék kizárólag szakszerűen földelt aljzathoz csatlakoztatható. Lásd a Földelési előírásokat.
- FIGYELEM: A készüléket kizárólag olyan személyek használhatják, akik megfelelő ismeretekkel rendelkeznek a szakszerű használatra vonatkozólag.
- VIGYÁZAT: Rendszeresen tisztítsa meg a vízszint-szabályozó berendezést, és vizsgálja meg, hogy nem sérült-e meg.
- Az úszó arra szolgál, hogy leállítsa a porszívózást, ha megtelt folyadékkal a tartály, vagy ha felborult a készülék. Rendszeresen tisztítsa meg, és ellenőrizze, hogy nem sérült-e meg. Szükség esetén cserélje ki.

1.3 KIZÁRÓLAG EGYESÜLT KIRÁLYSÁGBELI FELHASZNÁLÓK SZÁMÁRA

Kérjük, olvassa végig az alábbi, alapvető fontosságú tudnivalókat.

A következő előírásokat a biztonságos és hatékony használat jegyében állították össze. A készüléket kizárólag olyan, szakképzett oktató által felkészített személyek használhatják, akik alaposan elsajátították a jelen Használati útmutató tartalmát és a felhasználás idején hatályos jogszabályok rendelkezéseit.

A 240 V-os/50 Hz-es készülék egy 13 A áramerősségű, 3-tűs csatlakozóval rendelkezik. A csatlakozót egy 13 A áramerősségű, kivehető biztosítókkal látták el. A biztosíték szakszerű kicserélését a megfelelő jelzés, illetve színkódolás segíti elő. Kizárólag BS 1362 szabvány szerinti, ASTA tanúsítvánnyal rendelkező biztosítékot használjon. Soha ne használja a csatlakozót, ha előzőleg nem illesztette a helyére a biztosítékfedelelet! A biztosítékfedelek bármely villamossági üzletben megvásárolhatók.

1.4 VIZSGÁLATOK ÉS TANÚSÍTVÁNYOK

Az elektromossági vizsgálatokat az EN 62638 szabvány biztonsági előírásai szerint kell elvégezni.

Az említett vizsgálatok rendszeres időközönként, valamint javításokat, illetve módosításokat követően végzendők el. A porszívó IEC/EN 60335-2-69 szabvány szerinti tanúsítvánnyal rendelkezik.

Megjegyzés: Az útmutatóban feltüntetett rajzok és ábrák kizárólag tájékoztató jellegűek, és csak útmutatásként szolgálnak.

2. A KÉSZÜLÉK RÉSZEGYSÉGEI

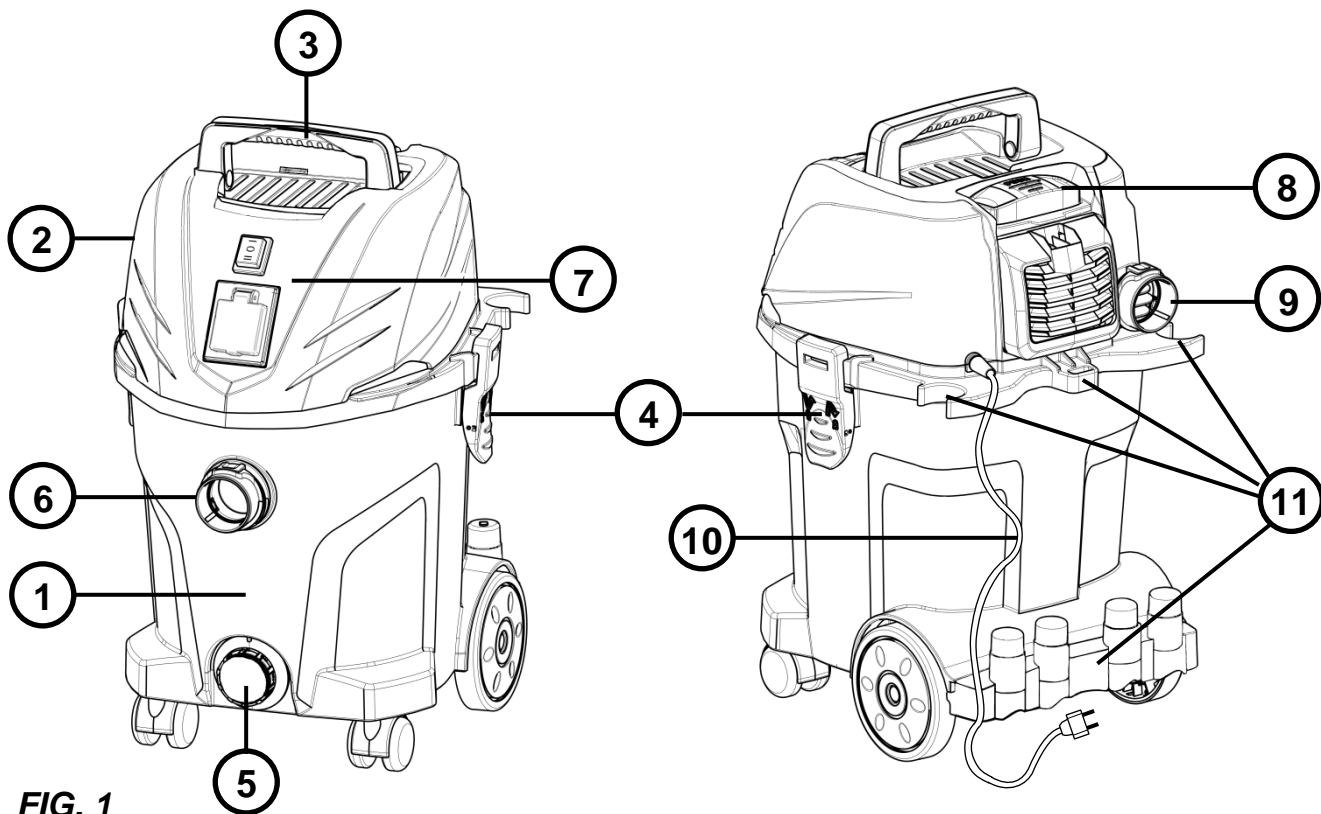


FIG. 1

- | | | |
|---------------------|-----------------------------------|--|
| 1. Tartály | 8. Szűrőtisztító gomb | 16. Résszívó |
| 2. Fejrész | 9. Légfúvó kimenet | 17. Körkefe |
| 3. Fogantyú | 10. Kábelcsatlakozó | 15. Papak kefe (nedves tisztításhoz) |
| 4. Kampó | 11. Szívófejtartók | 19. Porzsák (száraz tisztításhoz) |
| 5. Leeresztő nyílás | 12. Hajlított kézi cső | 18. Adapter elektromos eszközök csatlakoztatásához |
| 6. Szívónyílás | 13. Tömlők | |
| 7. Kezelőpanel | 14. Porkefe (száraz tisztításhoz) | |

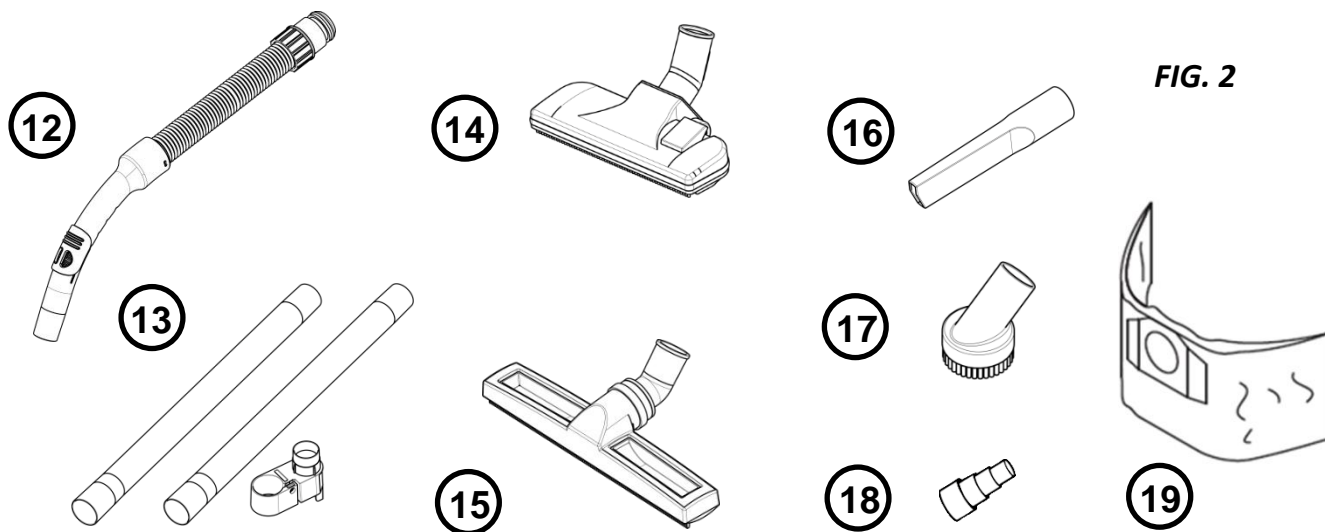


FIG. 2

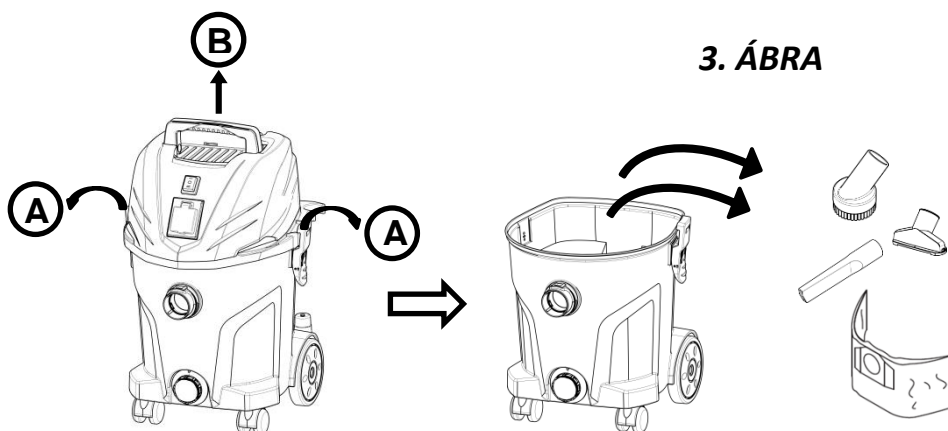
Az említett tartozékok egy részét a tartályba csomagolva szállítják ki. Ha valamelyik alkatrész hiányzik, forduljon az **Ügyfél-szolgálat**hoz.

3. A KÉSZÜLÉK ELSŐ HASZNÁLATA

A porszívó előkészítése és használata előtt olvassa végig figyelmesen az útmutató **FONTOS BIZTONSÁGI ELŐÍRÁSOK** című 1. fejezetét.

3.1 TARTOZÉKOK

A szívófejeket és az egyéb tartozékokat a szállítás idejére a tartályban helyezik el. A tartály felnyitásához oldja ki a kampókat és távolítsa el a fejrészt. Vegye ki a szükséges tartozékokat, majd helyezze vissza a fejrészt. Rögzítse a fejrészt a kampókkal.



3. ÁBRA

A tartozékok készüléken történő tárolása tekintetében lásd a 6. fejezetet.

4. A PORSZÍVÓ HASZNÁLATA

A porszívó előkészítése és használata előtt olvassa végig figyelmesen az útmutató **FONTOS BIZTONSÁGI ELŐÍRÁSOK** című 1. fejezetét.

4.1 PORZSÁKOS ÜZEMMÓD

A száraz por felporszívózásához egy egyszerűen kivehető, opcionális porzsákba gyűjthető össze a por. A porzsák behelyezéséhez távolítsa el a fejrészt (lásd még a 3. ábrát). Helyezze be a porzsákot a 6. ábrán látható módon. Helyezze vissza a fejrészt, majd rögzítse azt a kampókkal.

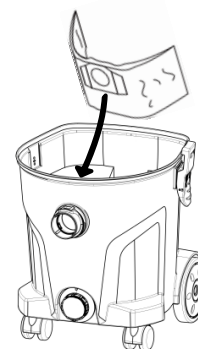


FIG. 4

4.2 SZÁRAZ ÉS NEDVES PADLÓTISZTÍTÁS

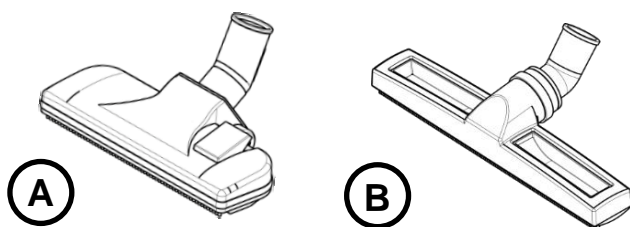


FIG. 5

A száraz por és törmelék felporszívózásához a száraz padlótisztítás céljára szolgáló, sörtékkel rendelkező padlótisztító fejet (A) használja. Folyadékok felszívásához használja a gumibetét keféket (B).

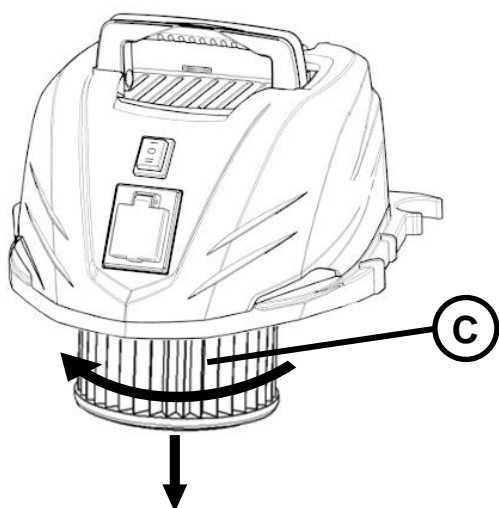


FIG. 6



Folyadékok porszívózásakor el kell távolítani a szűrőt: vegye le a motorfejet (lásd még a 3. ábrát), forgassa el a szűrőt, amíg kinyílik, és vegye ki az üléséből, szerelje vissza a fejet.

4.3 PORSZÍVÓZÁS – A TÖMLŐ CSATLAKOZTATÁSA ÉS LEVÁLASZTÁSA

A porszívózáshoz illessze be a tömlőt (A) a szívónyílásba (B).

A tömlő eltávolításához nyomja meg a (C) gombot és csavarja be egyik mozdulattal.

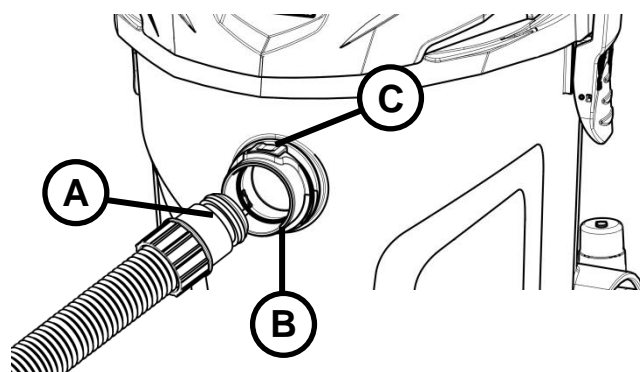


FIG. 7

4.4 FÚVÓÜZEM – A TÖMLŐ CSATLAKOZTATÁSA ÉS LEVÁLASZTÁSA

A készülék fúvóüzem szerint is használható. Bizonyos esetekben egyszerűbb a tisztítás, ha összegyűjtés előtt odébb fújja a törmelékét a készülékkel.

A fúvóüzem szerinti használathoz illessze be a tömlőt a fúvónyílásba (A), a szívónyílással azonos módon. Lásd fent.

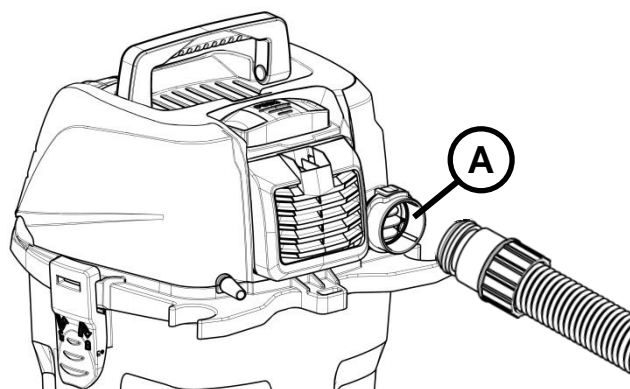


FIG. 8

4.5 A KÉSZÜLÉK BEKAPCSOLÁSA

A készülék a be- és kikapcsoló gomb (A) megnyomásával kapcsolható be, illetve ki.

Az opcionális aljzat használatához (B) lásd a következő fejezetet.

A készülék igény szerint egy további kijelzővel (D) is felszerelhető. Ha a nyomás túlságosan magas, a kijelző világitani kezd. Ez a szűrő eltömődésére és megtisztításának (lásd a későbbi fejezetet) esedékességére, vagy a porzsák megteltére és kicserélésének szükségességére utalhat.

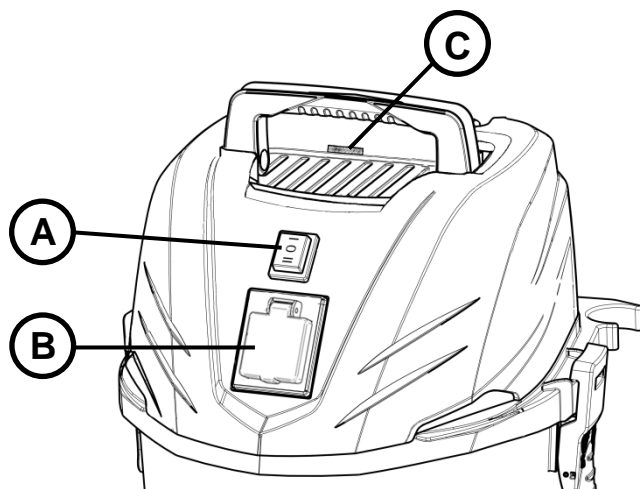


FIG. 9

4.6 KIEGÉSZÍTŐ ALJZATTAL ÉS AUTOMATIKUS BE-, ILLETVE KIKAPCSOLÁSI FUNKCIÓVAL ELLÁTOTT KÉSZÜLÉK

A készülék egy opcionális aljzattal is felszerelhető, melyhez a különböző, elektromos eszközök csatlakoztathatók. Csatlakoztassa az elektromos eszközt az aljzathoz (A). Válassza le a hajlított kézi csövet, és rögzítse a helyére a kúpos adaptert (B). Csatlakoztassa a kúpos adaptert az elektromos eszközhöz (C). Állítsa AUTO módra a készüléket a kapcsolóval (D). A készülék az elektromos eszköz bekapcsolásakor szintén bekapcsol, annak kikapcsolásakor pedig, némi (a tömlő kiürítését lehetővé tevő) késleltetést követően kikapcsol.

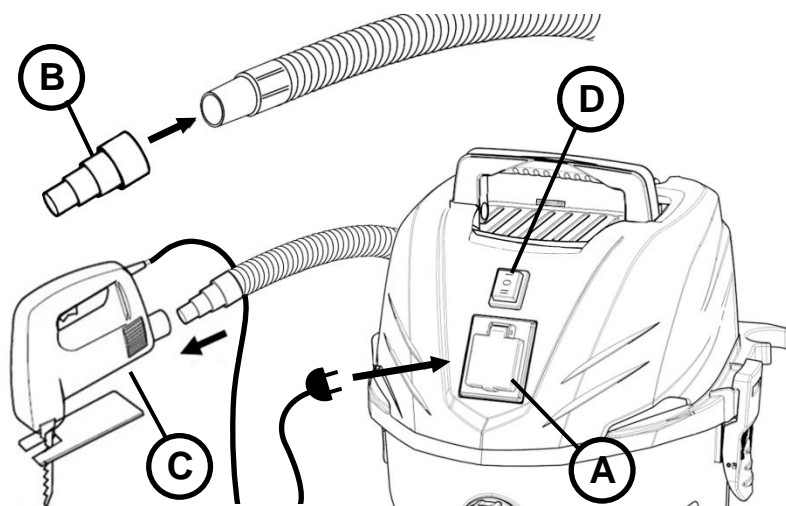


FIG. 10



!FIGYELEM – Ne használja a készüléket szűrőkosár és úszó nélkül, mivel azok a lapátkerék bejutó folyadékokkal szembeni megóvására, valamint a motorkárosodás megelőzésére szolgálnak! Ne porszívózzon fel semmilyen folyadékot behelyezett szivacsűrő nélkül!



!FIGYELEM – A hátsérülés, illetve az elesés kockázatának csökkentése érdekében ne emelje meg a felporszívózott anyagok, illetve folyadékok következtében nehezzé vált porszívót! Ūrítse ki, illetve eressze le a felporszívózott tartalom egy részét, hogy kényelmesen megemelhesse a készüléket.

MEGJEGYZÉS: HA A PORSZÍVÓ VÉLETLENÜL FELBILLEN, MEGSZÚNHAT A SZÍVÓHATÁS. ILYEN ESETBEN ÁLLÍTSA FÜGGŐLEGES HELYZETBE ÉS KAPCSOLJA KI A PORSZÍVÓT. AZ ÚSZÓ EKKOR VISSZATÉR AZ EREDETI HELYZETÉBE, ÍGY FOLYTATHATJA A PORSZÍVÓZÁST.



!FIGYELEM – Olvassa el a biztonsági figyelmeztetések és előírások azon részeit, melyek azokat a nedves anyagokat ismertetik, amelyek felporszívózására a készülék nem alkalmas.

!VESZÉLY – A készülék olyan alkatrészeket, például kapcsolókat, motorokat stb. tartalmaz, amelyek működése robbanásveszélyes ív-, illetve szikraképződéssel jár. Ne porszívózzon felgyúlékony, éghető vagy forró anyagokat! Ne használja a készüléket robbanásveszélyes folyadékokat vagy gőzöket tartalmazó környezetben, mivel az elektromos eszközök működése tűz- és robbanásveszélyes ív-, illetve szikraképződéssel jár! Ne használja a készüléket töltőállomásokon, valamint benzin tárolására, illetve adagolására szolgáló helyeken!



NOTE!

A porszívó termikus túlterhelésvédője leállítja a motort, ha az túlságosan felmelegsik. Ez általában jelentős mértékű igénybevételnél fordulhat elő. A motor használat közbeni leállításakor állítsa Off helyzetbe a kapcsolót, és várjon 5 percet, hogy lehűljön a motor. Kapcsolja be a készüléket, és folytassa a porszívózást.



! VIGYÁZAT - Győződjön meg arról, hogy a kiegészítő dugaszolóaljzathoz használt szerszám nem haladja meg a magán lévő aljzaton feltüntetett teljesítményt.

4.7 A FOLYADÉKGYŰJTŐ TARTÁLY KIÜRÍTÉSE

A folyadékgyűjtő tartály kiürítéséhez csavarja le a leeresztő dugót **(A)** és tegye azt félre.

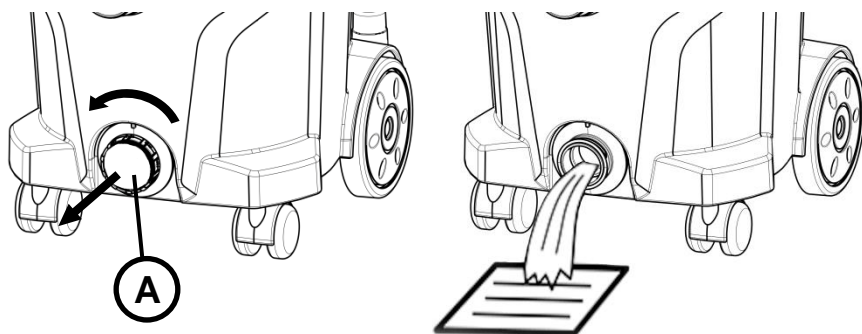


FIG. 11

4.8 A PORGYŰJTŐ TARTÁLY KIÜRÍTÉSE

A porgyűjtő tartály kiürítéséhez vegye le a fejrészt (lásd a 3.1 fejezetet). Ha porzsákat használ, cserélje azt ki egy újra.

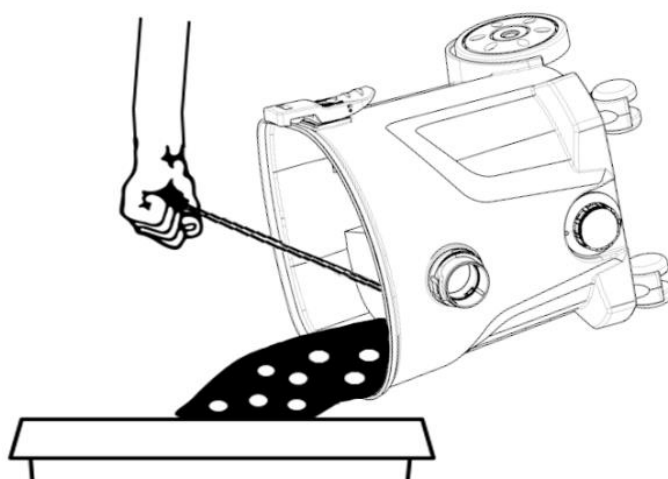


FIG. 12

5. SZŰRŐTISZTÍTÁS

A készülék opcionálisan félautomata vagy teljes mértékben automata szűrőtisztító rendszerrel is felszerelhető.

5.1 MANUÁLIS SZŰRŐTISZTÍTÁS

A szűrőt kézzel tisztíthatja a következő módon: Forgassa el a szűrőt (A), amíg kinyílik, és vegye le a fejről, tisztítsa meg a szűrőt hideg víz alatt (B). Hagyja megszáradni (C), amíg teljesen megszárad. Szerelje vissza a szűrőt.

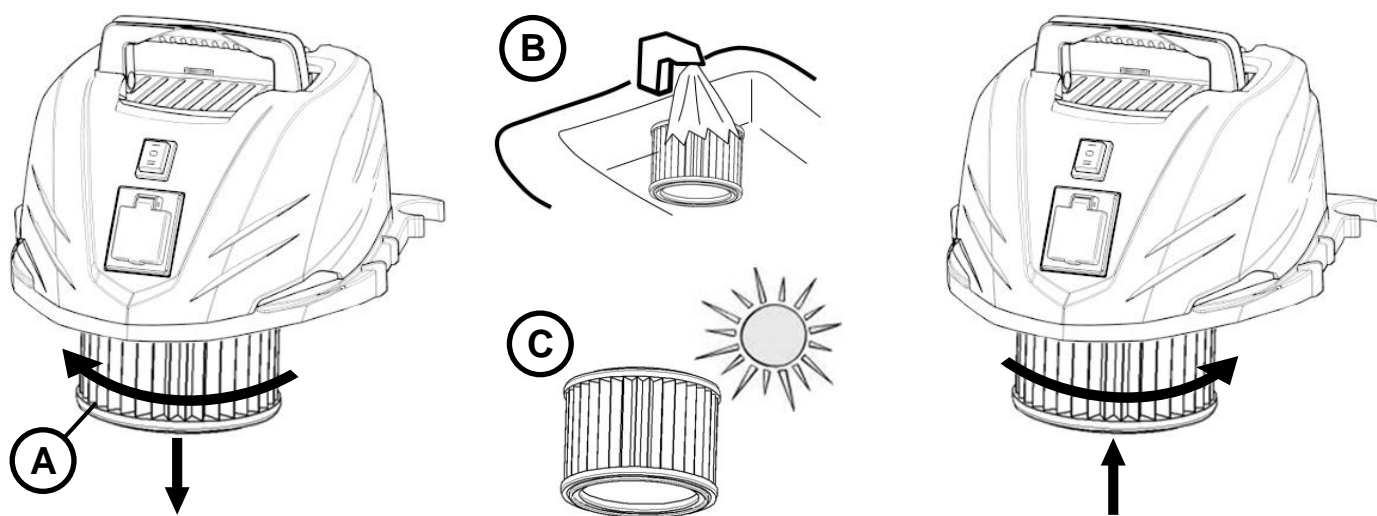


FIG. 13

5.2 FÉLAUTOMATA SZŰRŐTISZTÍTÁS

A félautomata szűrőtisztító rendszerrel felszerelt készülékeknél a szűrő megtisztításához zárja le a hajlított kézi cső bemeneti nyílását (A).

Zárja be a szívócsontot (A) úgy, hogy a kezét a kézibeszélő végére helyezi, vagy az ülésbe (B) illeszti.

A bemeneti nyílás lezárását követően várjon 2-3 percet, hogy felépülhessen a maximális nyomás. Nyomja meg 5-ször gyors egymásutánban a szűrőtisztító gombot (C). A művelet hatására megtisztul a szűrő és visszaáll a megfelelő szívóteljesítmény.

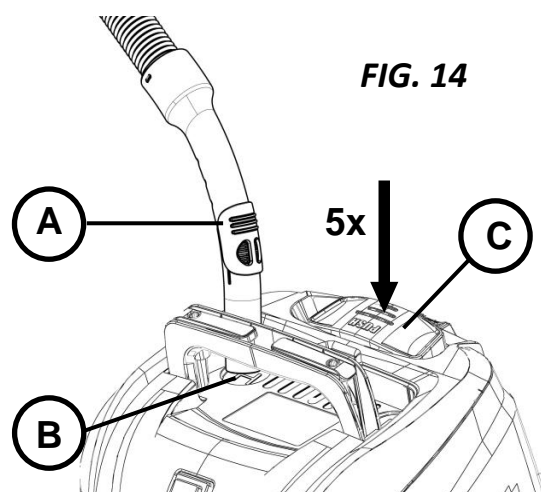


FIG. 14

6. A KÉSZÜLÉK TÁROLÁSA ÉS ÁTHELYEZÉSE

A porszívó BELTÉRBEN, 0 °C-ot meghaladó hőmérsékletű, száraz helyiségben tárolandó.

A porszívó tárolása előtt tisztítsa meg a szűrőt félautomata rendszerrel (lásd az 5.2 bekezdést).

Tekerje a tápkábelt a fogantyú körül. A tömlőket és egyéb tartozékokat a készülék hátulján található tartozéktartókban lehet tárolni.

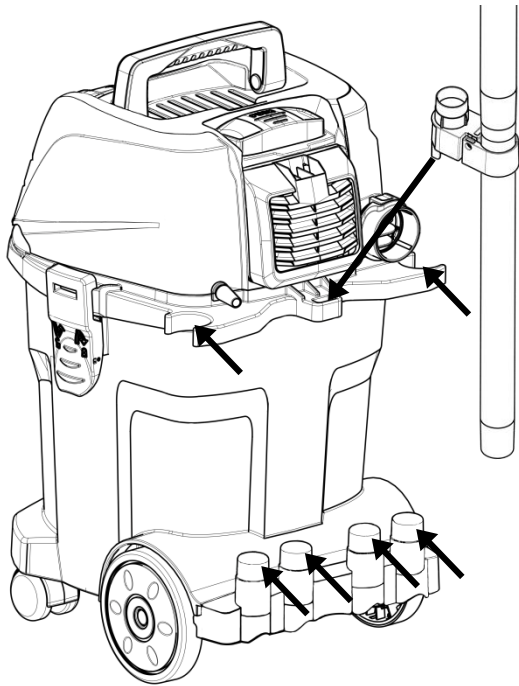


FIG. 15



FIGYELEM! Használaton kívüli állapot esetén: válassza le a tápkábelt a hálózati aljzatról.

7. HIBAELHÁRÍTÁS

Az elektromos alkatrészek, mint például a kábel vagy a motor javítása kizárólag hivatalos márkaszervizben végeztethető el.

Nem kapcsol be a porszívó	<ul style="list-style-type: none"> • Ellenőrizze a csatlakozó és a hálózati aljzat szakszerű csatlakoztatását, és az aljzat megfelelő feszültségét. • Kioldhatott a megszakító. Ellenőrizze a megszakító dobozt. • Megsérülhetett a kábel, illetve a csatlakozó. Hívja az Ügyfélszolgálatot a legközelebbi hivatalos márkaszerviz elérhetőségéért.
Automatikus üzemmódban nem működik a motor	<ul style="list-style-type: none"> • Meghibásodott az elektromos eszköz, vagy nem megfelelően csatlakoztatták azt. Ellenőrizze az elektromos eszköz működését, illetve a csatlakozó megfelelő illeszkedését. • Túlságosan alacsony az elektromos eszköz teljesítménye. Felhívjuk figyelmét, hogy a minimális teljesítmény: $P > 50 \text{ W}$.
Leáll a motor	<ul style="list-style-type: none"> • Ha a motor túlságosan felmelegszik, a termikus túlterhelésvédő rendszer leállítja azt. Ilyen esetben kapcsolja ki a készüléket. Várjon 10 percet, hogy lehűljön a motor. Kapcsolja be a készüléket, és folytassa a porszívózást.
Lecsökkent szívóteljesítmény	<ul style="list-style-type: none"> • a Megtelhetett a tartály. Üritse ki. Lásd a 4.7 és 4.8 fejezeteket. • Eltömődhetett a cső, a tömlő vagy a szívófej. Tisztítsa meg azokat. • Megsérülhetett a fenti részek egyike. Cserélje azt ki. • Eltömődhetett a szűrő. A szűrő megtisztításához használja a szűrőtisztító rendszert (lásd az 5. fejezetet). • Ellenőrizze a szűrőt, és ha szükséges, cserélje ki. Győződjön meg annak megfelelő behelyezéséről. • Meglazult a tömlőcsatlakozás. Szorítsa meg.
Elektromos kisülések	<ul style="list-style-type: none"> • Amennyiben túlságosan száraz a környezet, nedvesítse azt meg. Ha lehetséges, használjon párasítót. • Felhívjuk figyelmét, hogy a levegő túlságosan alacsony relatív páratartalma nem befolyásolja a porszívó használatát.

8. MEGFELELŐSÉGI NYILATKOZAT
2006/42/EK – 2014/30/EU – 2011/65/EK

Az

IP Cleaning S.r.l.

Viale Treviso, 63

30026 Summaga - Portogruaro (VE) - Italy

mint gyártó, saját felelősségére kijelenti, hogy a következő termékek:

<p>KLEEN 1/20 TC W&D P KP 1/20 CLEAN TC</p> <p>220-240 V / 50-60 Hz 1400 W nom / 1600 W max</p>	<p>KLEEN 1/30 TC W&D S KS 1/30 CLEAN TC</p> <p>220-240 V / 50-60 Hz 1400 W nom / 1600 W max</p>
---	---

, melyek a jelen nyilatkozat tárgyát képezik, megfelelnek az alábbi szabványok:

- IEC 60335 - 1:2010 + A1:2013
- IEC 60335 - 2 - 69:2016
- EN 62233:2008
- EN 55014 - 1:2006 + A1:2009 + A2:2011
- EN 55014 - 2:1997 + A1:2001 + A2:2008
- EN 61000 - 3 - 2:2014
- EN 61000 - 3 - 3:2013

, valamint a következő irányelvek rendelkezéseinek:2006/42/EK (Gépekről szóló irányelv)
2014/30/EK (Elektromágneses összeférhetőségről szóló EMC irányelv) - 2011/65/EK (RoHS II irányelv)

A műszaki dokumentáció összeállítására jogosult
személy:

IP Cleaning S.r.l.

Viale Treviso, 63

30026 Summaga - Portogruaro (VE) - Italia



Jogi képviselő:

dott. Pietro Annibaldi Corsano



01/06/2021

9. MŰSZAKI ADATOK

Típusváltozat	KLEEN 1/20 TC W&D P KP 1/20 CLEAN TC	KLEEN 1/30 TC W&D S KS 1/30 CLEAN TC
Feszültség	220-240V	220-240V
Frekvencia	50Hz/60Hz	50Hz/60Hz
Teljesítmény	1400 W	1400 W
Aljzat elektromos terhelhetősége	1800 W	1800 W
Összteljesítmény	3200 W	3200 W
Védelmi osztály	I	I
Védettségi fokozat	IPX4	IPX4
Tartálytérfogat	20L	30L
Vibráció	$a_h < 2.5 \text{ m/s}^2$	$a_h < 2.5 \text{ m/s}^2$
Hangnyomásszint 1 m távolságból, az EN 60704-1 szabvány szerint		
Zajszint		
		



BRUGERMANUAL

(Oversættelse af originale instruktioner)



KLEEN 1/20 TC W&D P

KLEEN 1/30 TC W&D S

KP 1/20 CLEAN TC

KS 1/30 CLEAN TC



IPC

KÆRE KUNDE

Tillykke med dit køb af din nye våd/tørstøvsuger



Inden du anvender støvsugeren første gang, skal du sikre dig, at have læst denne manual omhyggeligt, og altid sørge for at have den inden for rækkevidde.

PÅTÆNKT ANVENDELSE

Denne støvsuger er konstrueret, udviklet og omhyggeligt testet, så den fungerer effektivt og sikkert, hvis den anvendes, som den skal og i henhold til instruktionerne i denne manual. Denne støvsuger er til erhvervsmæssig brug (hotel, skoler, hospitaler, kontorer og til leje) og til husholdningsbrug. Brugeren af støvsugeren kan undgå, at der sker ulykker som følge af forkert brug.

ADVARSEL: LÆS, OG FØLG SAMTLIGE SIKKERHEDSINSTRUKSER.

Denne maskine er egnet til at opsuge ikke-brændbart tørt og flydende støv. Enhver anden brug anses for ukorrekt. Fabrikanten fralægger sig ethvert ansvar for skader, forårsaget af ukorrekt brug. Risikoen, der er forbundet med forkert brug, hidrører udelukkende fra brugeren. Korrekt brug inkluderer funktionsmåde, vedligeholdelse og reparationer, der er udspecificeret af leverandøren.



! ADVARSEL: LÆS SIKKERHEDSINSTRUKTIONERNE INDEN DENNE STØVSUGER TAGES I BRUG. OPBEVAR DEM FOR FREMTIDIG REFERENCE.

**! ADVARSEL: Anvend aldrig dette apparat i nærheden af brændbart materiale eller dampe, da elektriske apparater danner gnister, der kan forårsage brand eller eksplosion.
EFTERLAD ALDRIG APPARATET TÆNDT UDEN OPSYN!**



! ADVARSEL: Bær altid øjenværn for at undgå, at flyvende partikler forårsager alvorlige læsioner.

1. VIGTIGE SIKKERHEDSINSTRUKTIONER

1.1 BRUGSANVISNINGER:

Apparatet skal:

- Udelukkende anvendes af personer, der har fået oplæring i korrekt brug og
- som udtrykkeligt har fået pålagt at bruge apparatet.
- Må kun sættes i drift, hvis det overvåges.
- Dette apparat er ikke beregnet til brug af personer (inkl. børn) med nedsatte
- fysiske, sensoriske og mentale evner eller uden erfaring og kendskab.
- Børn skal overvåges for at undgå, at de ikke leger med apparatet.
- Overhold altid sikkerhedsprocedurerne.
- Anvend aldrig støvsugeren uden filter.
- Afbryd apparatet, og tag stikket ud af stikkontakten i følgende tilfælde:
 - Inden der foretages rengøring eller vedligeholdelse
 - Inden udskiftning af komponenter
 - Efter endt arbejde
 - Hvis der dannes skum, eller apparatet lækker væske

Ud over brugsanvisningerne og de gældende bestemmelser for forebyggelse af personskader i anvendelseslandet, er det nødvendigt at overholde sikkerhedsnormerne og korrekt brug.

1.2 VIGTIGE ANVISNINGER:

- For at nedsætte risikoen for brand, elektrisk stød eller personskade, anbefales det at læse og følge sikkerhedsinstrukserne og sikkerhedsskiltene inden brug. Denne støvsuger er konstrueret til at fungere sikkert, når den anvendes korrekt, som specificeret i denne manual. I tilfælde af skade på elektriske eller mekaniske dele, skal apparatet og/eller reservedelene repareres af et kvalificeret teknisk personale eller af fabrikanten, inden apparatet tages i brug, så evt. yderligere skader på apparatet eller personskade på operatøren undgås.
- Lad aldrig apparatet være uden opsyn, hvis ledningen sidder i en stikkontakt.
- Tag stikket ud, hvis apparatet ikke bruges, og før der udføres vedligeholdelsesarbejde.
- Brug ikke apparatet, hvis ledningen eller stikkontakten er beskadigede. Når du tager stikket ud af kontakten, skal du trække i stikket og ikke i ledningen. Undlad at røre ved kontakten, sætte stikket i kontakten eller rense apparatet med fugtige hænder. Afbryd alle kontakter, inden stikket tages ud.
- Undlad at hive eller flytte apparatet ved at trække i ledningen. Anvend ikke ledningen som et håndtag, og undlad at hive i ledningen i nærheden af skarpe kanter eller hjørner. Undlad at klemme ledningen. Hold ledningen borte fra hede overflader.
- Hold hænder, hår, tøj og alle andre kropsdele væk fra åbninger og dele, der bevæger sig.
- Anbring ikke genstande foran støvsugerhullet eller andre åbninger. Undlad anvendelse, hvis åbningerne er blokerede. Hold åbningerne fri for støv, fnug, hår eller andet, der kan forhindre luftgennemstrømningen.
- ADVARSEL: Dette apparat er ikke egnet til at suge farligt støv op.
- Sug ikke brændbare eller brandfarlige væsker op, som fx benzin, og anvend ikke apparatet på steder, hvor disse kunne være til stede.
- Sug ikke gløder eller andet brændende materiale op, som fx cigaretter, tændstikker eller akse, der stadig er varmt.
- Vær særlig opmærksom, når apparatet anvendes på trapper.
- Anvend ikke apparatet, hvis filtrene ikke er påsat.
- Hvis apparatet ikke fungerer korrekt, hvis det er faldet ned eller beskadiget, hvis det er efterladt udendørs eller hvis det er faldet ned i vand, skal det sendes til serviceværkstedet.
- Hvis apparatet lækker skum eller væske, skal det straks slukkes.
- Apparatet må ikke anvendes som en væskepumpe. Det skal anvendes til opsugning af luft blandet med vand.
- Tilslut apparatet til et passende jordforbundet stik. Spændingsforsyningen og forlængerledningen skal være jordforbundne.
- Vær opmærksom på, at der på arbejdsstedet er en passende ventilation.
- Anvend ikke apparatet som en trappe eller et trin. Apparatet risikerer, at vælte og blive beskadiget.
- Sug aldrig følgende medier op: brændbare eller eksplosive gasarter, støvpartikler eller flydende reagenser, reaktive metalpartikler (som fx aluminium, magnesium, zink) sammen med vaske- og rengøringsmidler, der er meget syreholdige og alkaliske med stærkt og ikke-fortyndet syre, der indeholder alkalier eller organiske opløsningsmidler som fx brændstoffer, fortyndingsmidler, acetone, brændselsolie eller lignende produkter.
- Brandfare. Sug ikke brændende eller glødende partikler op.
- Sug ikke antændelige eller brændbare stoffer op, som benzin eller partikler fra reaktivt støv; støvsug ikke på steder, hvor disse kan være til stede.
- Anvend ikke apparatet til sprøjtning af væsker som fx lakker baseret på alkohol, fernis, rengøringsmidler til husholdningen osv.
- Prøv ikke at suge lunken eller varm aske op. Den opstøvede askes temperatur må højst være 102°F/40°C.

- Sug ikke medier op, der er giftige, kræftfremkaldende eller brændbare, som fx asbest, arsen, barium, beryllium, bly, pesticider eller andre sundhedsfarlige substanser.
- For at forebygge risiko for pludselig brand, skal beholderen tømmes efter hver brug.
- OBS: Der kan forekomme udladninger af statisk elektricitet, hvis miljøet er for tørt. Dette har ingen indflydelse på støvsugerens brug. For at undgå stød, tilføjes der lidt fugt til luften med en luftfugter.
- VÆR AGTPÅGIVENDE og fornuftig. Brug ikke støvsugeren, hvis du har indtaget euforiserende euforiserende, alkohol, medicin, eller hvis du er træt eller ukoncentreret.
- Efterlad ikke ledningen på gulvet efter endt arbejde. Der kan være fare for at snuble i den.
- Hvis ledningen er beskadiget, skal den udskiftes af fabrikanten eller af en specialiseret serviceafdeling, så farer undgås.
- Støvsugeren må ikke benyttes som et legetøj. Vær særlig opmærksom, når apparatet anvendes af børn eller i nærheden af børn.
- Sørg for, at emballagematerialet er uden for børns rækkevidde. Risiko for kvælning.
- Beskyt apparatet mod regn. Opbevar apparatet i et lukket rum.
- ADVARSEL: Dette apparat må ikke bruges udendørs.
- Bug ikke apparatet i regn.
- Brug beskyttelsesmaske, når beholderen tømmes for en hvilken som helst form for fint støv.
- Afbryd den elektriske strøm, inden slangen eller andre dele sættes på.
- Efterlad ikke apparatet uden opsyn, når stikket sidder i stikdåsen. Tag stikket ud af kontakten, når apparatet ikke bruges, og inden der foretages vedligeholdelse.
- Sæt kun stikket i kontakter, der er jordforbundne. Se instruktionerne for jordforbindelse.
- ADVARSEL: Operatøren skal have modtaget passende oplæring i brugen af denne maskine.
- ADVARSEL: Sørg for regelmæssigt at rengøre anordningen, der begrænser væskniveauet, og kontrollér, at den ikke er beskadiget.
- Niveauføleren (flydende) fungerer som stopper for opsugningen, når beholderen er fuld eller ved at vælte. Fortsæt rengøringen som normalt, og kontrollér, at den ikke er beskadiget, og udskift den, om nødvendigt.

1.3 GÆLDER KUN FOR STORBRITANNIEN:

Læs venligst følgende vigtige instruktioner.

Disse instruktioner er nedfældet i overensstemmelse med standarder for effektivitet og sikkerhed. Operatøren skal oplæres af en kvalificeret instruktør og skal være i stand til at forstå instrukserne. Denne skal ligeledes have oplysning om relevante bestemmelser og skal kende lovgivningen på området på tidspunktet for brugen.

Dette apparat på 240 V-50 Hz er udstyret med et stik på 13A på 3 ben. Stikket er udstyret med en aftagelig sikring på 13A. Den rigtige reservedel til sikringen kan identificeres vha. en farvekode eller et mærke. Der må kun være monteret A.S.T.A. godkendte sikringer (type. BS 1362). Brug aldrig stikket uden sikringsholder.

Reservedele til sikringsholder fås i enhver elforretning.

1.4 TEST OG AUTORISATIONER

Elektriske tests skal udføres i overensstemmelse med sikkerhedsstandardEN 62638. Disse tests skal udføres med regelmæssige mellemrum og efter reparationer eller ændringer. Støvsugeren er godkendt i overensstemmelse med IEC/EN 60335-2-69.

OBS: Samtlige billeder og tegninger er kun vejledende.

2. OVERSIGT

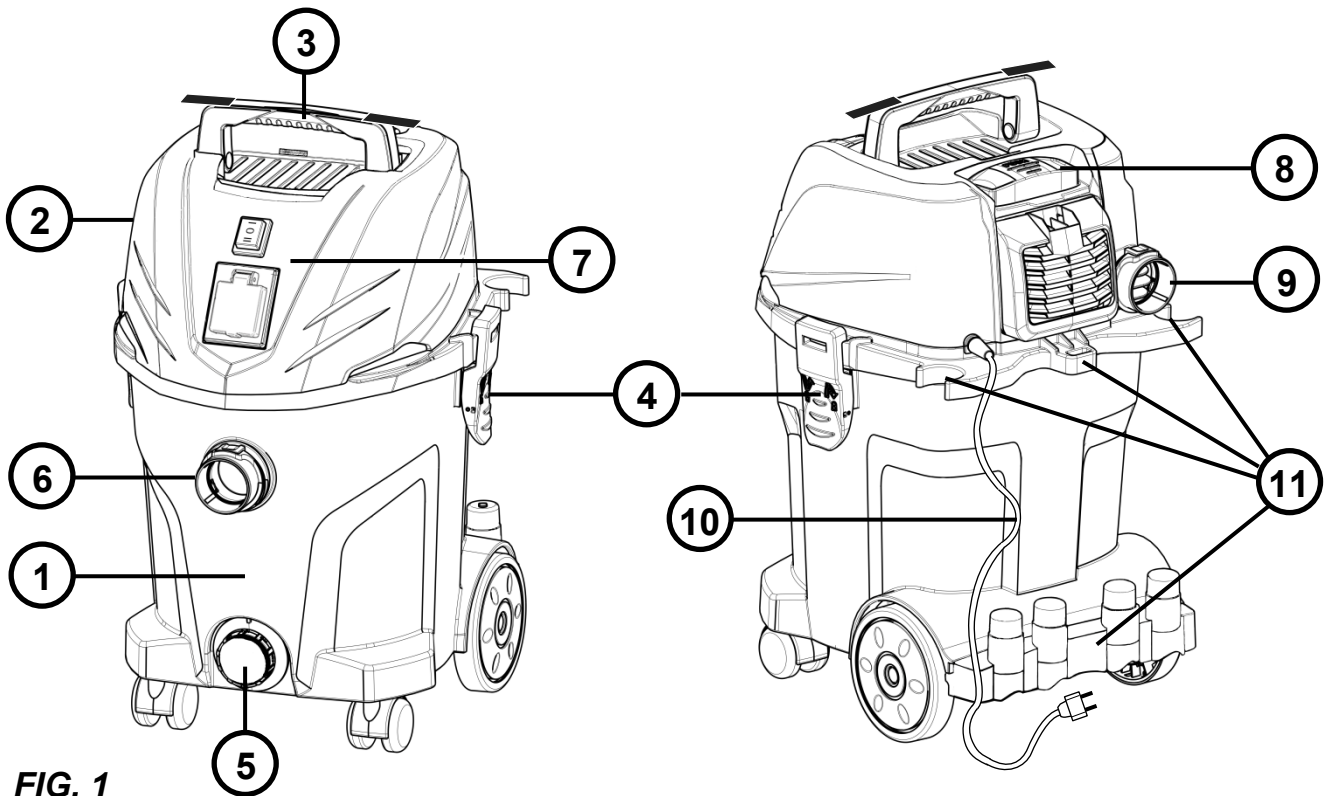


FIG. 1

- | | | |
|-----------------|---------------------------------|-----------------------|
| 1. Beholder | 8. Tast til rengøring af filter | 15. Børste til væske |
| 2. Låg | 9. Luftudblæsning | 16. Smalt mundstykke |
| 3. Håndtag | 10. Ledning og stikkontakt | 17. Afstøvningsbørste |
| 4. Kroge | 11. Tilbehørstaske | 18. Adapter |
| 5. Udledning | 12. Buet rør | 19. Papirpose |
| 6. Støvsugerhul | 13. Rør | |
| 7. Kontrolpanel | 14. Børste til støv | |

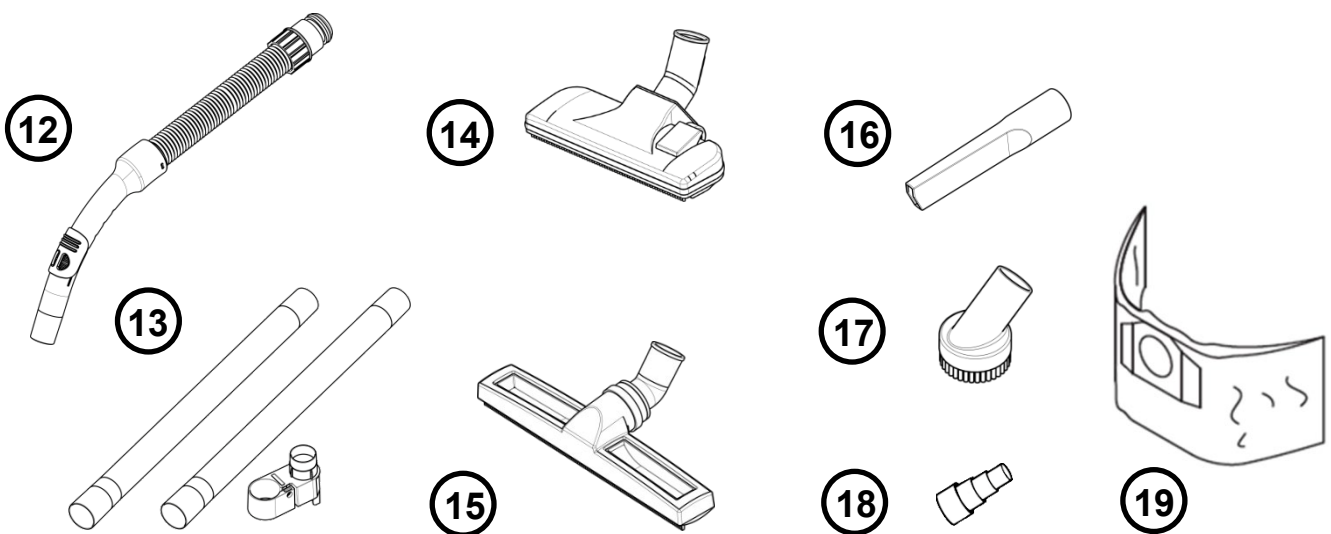


FIG. 2

Nogle af disse tilbehørsdele er anbragt inde i beholderen. Skulle der mangle nogle dele, bedes du venligst kontakte vores kundeservice.

3. MONTERINGSVEJLEDNING

Læs omhyggeligt kapitel1 VIGTIGE SIKKERHEDSINSTRUKSER i denne manual, inden du installerer og anvender denne støvsuger.

3.1 TILBEHØR

Mundstykker og tilbehør til apparatet er anbragt inde i beholderen. For at åbne beholderen, åbnes krogene, og låget tages af. Tag tilbehøret ud, og sæt låget på igen. Spænd låget fast igen ved brug af krogene.

Se kapitel 6 for at se, hvor tilbehøret skal sættes fast på apparatet.

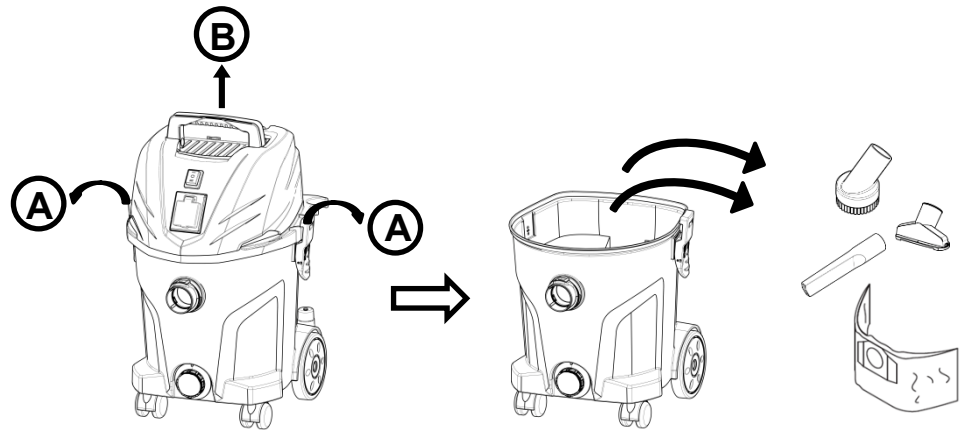


FIG. 3

4. BRUG AF STØVSUGEREN

Læs omhyggeligt kapitel1 VIGTIGE SIKKERHEDSINSTRUKSER i denne manual, inden du installerer og anvender denne støvsuger.

4.1 ISÆTTELSE AF STØVSUGERPOSE

Hvis der skal suges støv op (dry drift), er det muligt at isætte en papirpose (optional) for at opsamle og bortskaffe støv.

For at isætte papirposen tages motorhovedet af (se fig. 3). Sæt posen i, som vist på fig. 4. Sæt låget på igen, og lås det fast med krogene.

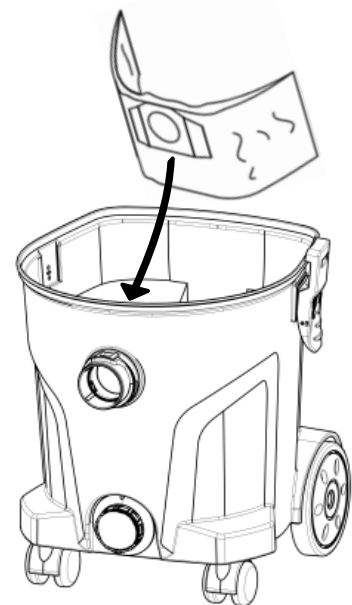


FIG. 4

4.2 TØR OG VÅD STØVSUGENING

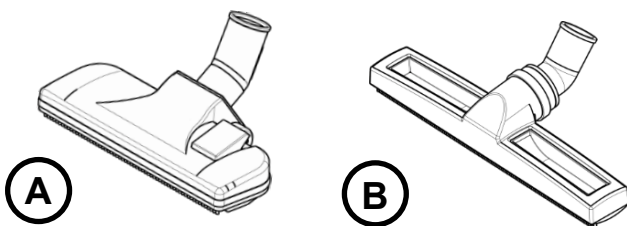


FIG. 5

Til støvsugning af støv og små partikler, bruges den tørre (dry) børste (A). For at støvsuge væske bruges den våde (wet) børste (B).



Når der støvsuges væske op, er det nødvendigt at fjerne filteret: Fjern motorhovedet (se fig. 3), drej filteret, indtil det ikke er blokeret mere, og tag det ud af dets sæde, og sæt motorhovedet på igen.

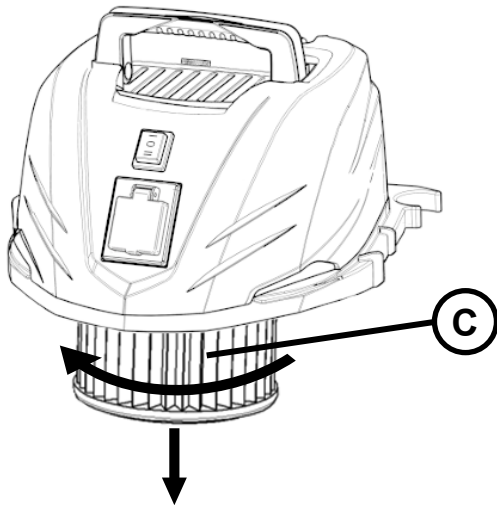


FIG. 6

4.3 STØVSUGNING - PÅSÆTNING OG AFTAGNING AF SLANGEN

Til støvsugning sættes slangen (A) ind i støvsugerhullet (B). For at tage slangen ud, trykkes på knappen (C) drej og træk samtidigt.

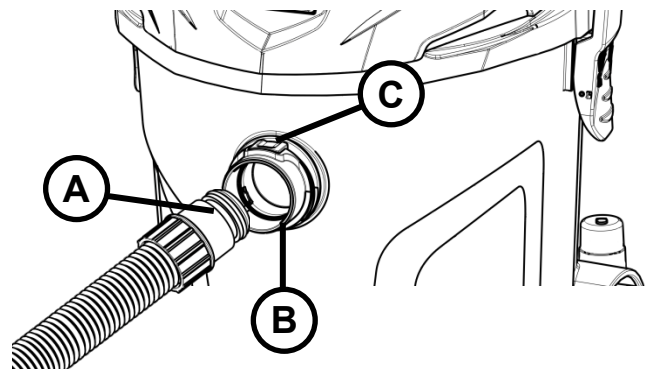


FIG. 7

4.4 BLÆSEFUNKTION - PÅSÆTNING OG AFTAGNING AF SLANGEN

Apparatet kan også anvendes med en blæsefunktion. Nogle gange er det nemmere først at samle partiklerne, og bagefter suge dem op. For at anvende støvsugerens blæsefunktion, skal slangen sættes ind i hullet til luftudblæsning (A).

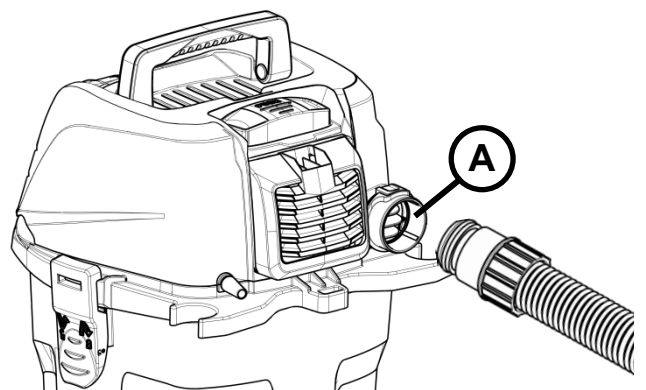


FIG. 8

4.5 TÆNDING

Støvsugeren tændes og slukkes ved at aktivere knappen on/off (A).

For at bruge den ekstra stikkontakt(B) se næste kapitel.

Apparatet kan være forsynet med en indikator (C), der viser, hvornår trykket falder. Dette sker, når filteret er tilstoppet og skal renses (se kapitel 5), eller at posen er fuld, og skal skiftes.

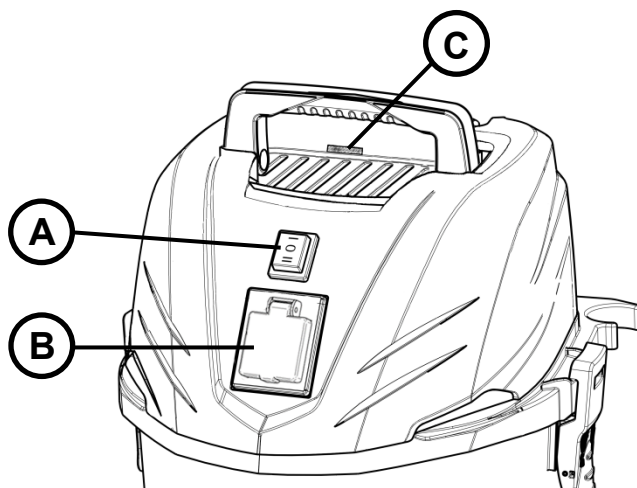


FIG. 9

4.6 APPARAT MED EKSTRA STIKKONTAKT OG AUTOMATISK START/STOP FUNKTION

Støvsugeren er udstyret med en ekstra stikkontakt til tilslutning af et elektrisk værktøj. Tilslut værktøjet til stikkontakten (A), fjern det buede rør, og tilslut den koniske adapter (B) til værktøjet (C). Indstil apparatet på AUTO med omskifteren (D). På den måde tændes apparatet, når værktøjet tændes, og det slukkes lidt efter, at værktøjet er slukket (så slangen tømmes).

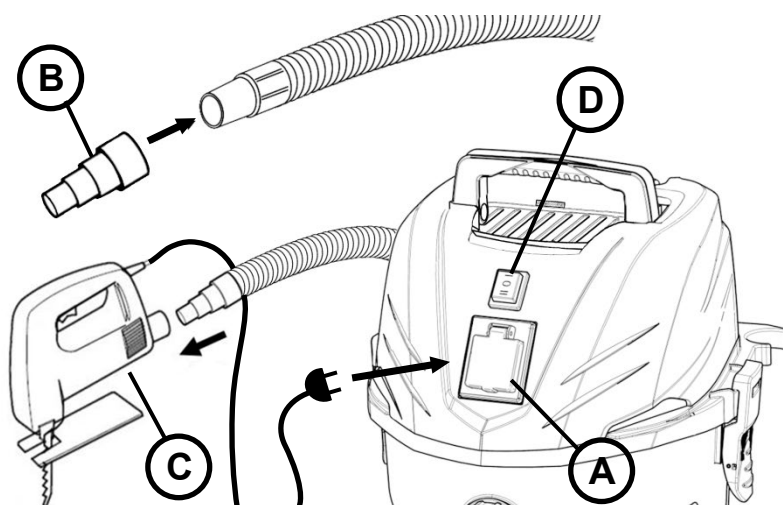


FIG. 10



! ADVARSEL - Tænd ikke for apparatet, hvis filtrene og svømmerventilen ikke sidder på plads, da de forhindrer væsken i at trænge ind i motorhovedet og beskadige motoren.



! ADVARSEL - For at mindske risikoen for ulykker og fald, skal støvsugeren ikke løftes, hvis beholderen er fuld med væsker eller restpartikler. Tøm beholderens indhold, så støvsugeren bliver så let, at den kan løftes risikofrit.

OBS: HVIS STØVSUGEREN VÆLTER VED ET UHELD, RISIKERER DEN AT MSITE NOGET AF SIN SUGEEFFEKT. START MED AT STILLE STØVSUGEREN LODRET, OG TRYK DEREFTER PÅ AFBRYDERKNAPPEN. DETTE FÅR SVØMMERVENTILEN TIL AT INDTAGE SIN NORMALE POSITION, OG ARBEJDET KAN FORTSÆTTES.




! ADVARSEL - Læs sikkerhedsinstrukserne og instrukserne om det materiale, der ikke må suges op af dette apparat.




! FARE - Dette apparat indeholder dele, såsom afbrydere og motorer, der kan danne elektriske lysbuer og gnister. Sug hverken varme, antændelige eller brændbare materialer op.

Brug ikke apparatet i nærheden af væsker eller eksplosive dampe, da elektriske apparater kan danne elektriske lysbuer og gnister, der kan forårsage brand eller eksplosion - brug ikke apparatet i nærheden af benzinstationer eller steder, hvor der opbevares benzin.

 Denne støvsuger er udstyret med en termisk beskyttelsesanordning, der beskytter motoren mod høje temperaturer. Dette kan ske i tilfælde af intens brug. Hvis motoren slukker under brug, tryk på ON/OFF-knappen, og lad apparatet hvile i 5 minutter, så motoren får tid til at køle af. Herefter er det igen muligt at genstarte apparatet og fortsætte arbejdet.

NOTE!

 **! ADVARSEL - Vær opmærksom på, at det elektriske værktøj, der benyttes med den ekstra stikkontakt ikke overskrider den effekt, der er anført på samme.**

4.7 TØM BEHOLDEREN FOR VÆSKER

For at tømme beholderen for væsker drejes proppen (A), og fjernes fuldstændigt.

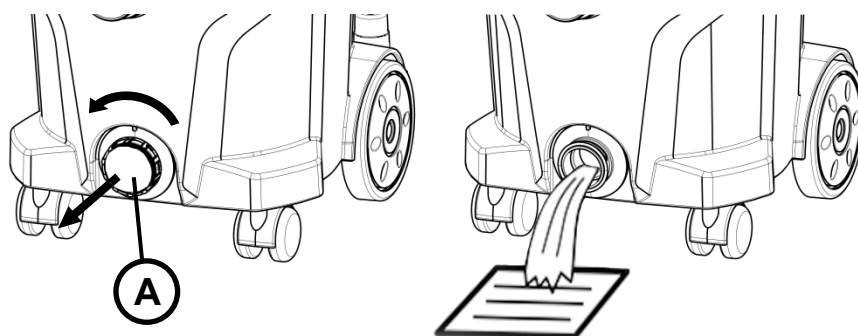


FIG. 11

4.8 TØM BEHOLDEREN FOR STØV/RESTPARTIKLER

For at tømme beholderen for støv og restpartikler tages motorhovedet af (se kapitel 3.1). Hvis der er isat en pose, tages denne ud, og der isættes en ny.

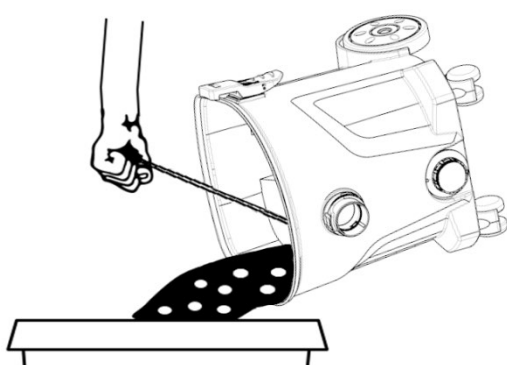


FIG. 12

5. RENGØRING AF FILTRE

Når der støvsuges fint støv op, kan disse tilstoppe filteret og nedsætte sugeeffekten. Det er derfor nødvendigt at rengøre filteret.

5.1 RENGØRING AF FILTRE MANUAL

Filteret kan rengøres manuelt på følgende måde: Drej filteret **(A)**, indtil det ikke er blokeret mere, og tag det ud af dets sæde. Rens det med koldt vand **(B)**. Lad det tørre helt **(C)**. Genmonter filteret.

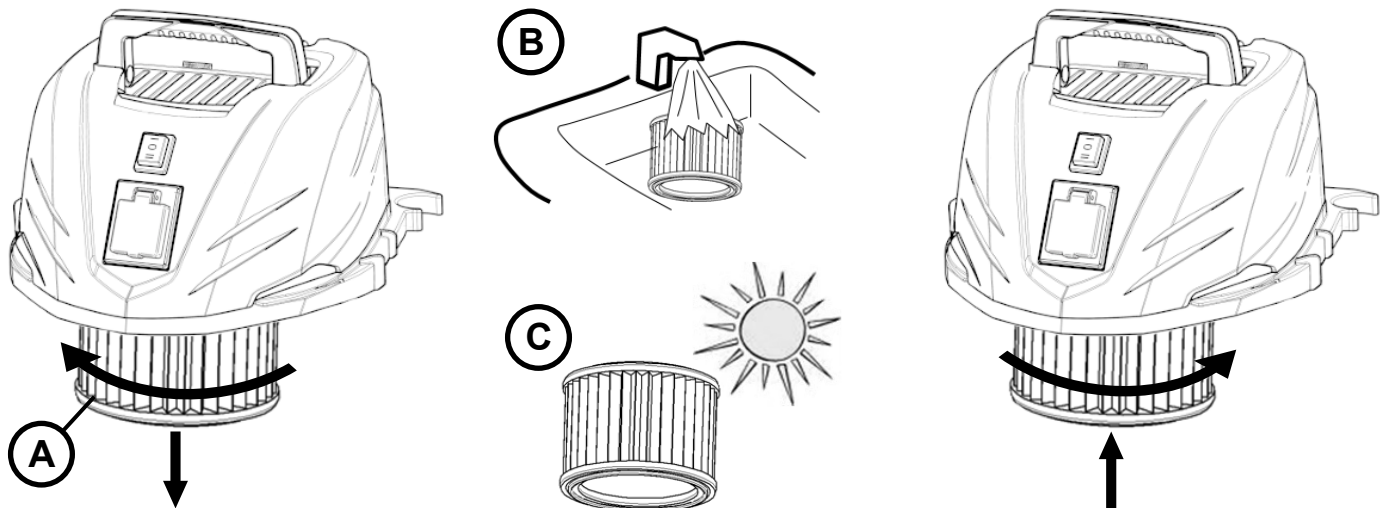


FIG. 13

5.2 RENGØRING AF HALVAUTOMATISKE FILTRE

Apparatet er udstyret med et halvautomatisk filterrensesystem.

Luk støvsugerhullet ved at lukke åbningen på den bøjede anordning eller på slangen **(A)** med en hånd på den ene ekstremitet på støvsugerhullet eller ved at indsætte den bøjede anordning i sit sæde **(B)**.

Vent 2-3 sekunder, indtil undertrykket når sit maksimum. Tryk hurtigt på rensknappen **(C)**, filtrér 5 gange, én ad gangen. Dette renses filteret og genopretter den tidligere sugeseffekt.

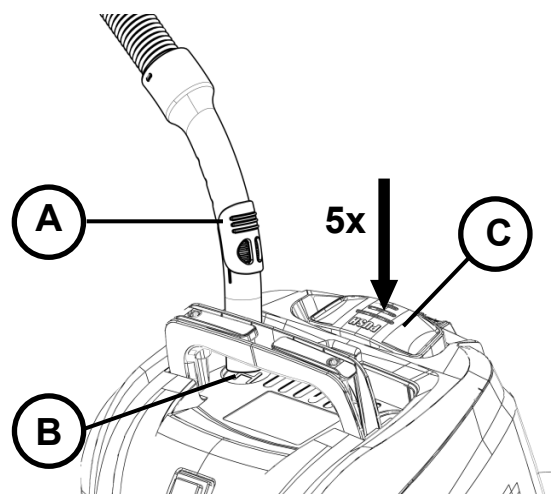


FIG. 14

6. OPBEVARING

Anbring støvsugeren i et lukket og tørt rum med temperaturer over 0°C.

Inden støvsugeren sættes til opbevaring, skal filteret renses med det halvautomatiske system (se kapitel 5.2). Sno ledningen rundt om håndtaget. Slangere og andet tilbehør kan anbringes i tilbehørstasken, der er anbragt bag på apparatet.

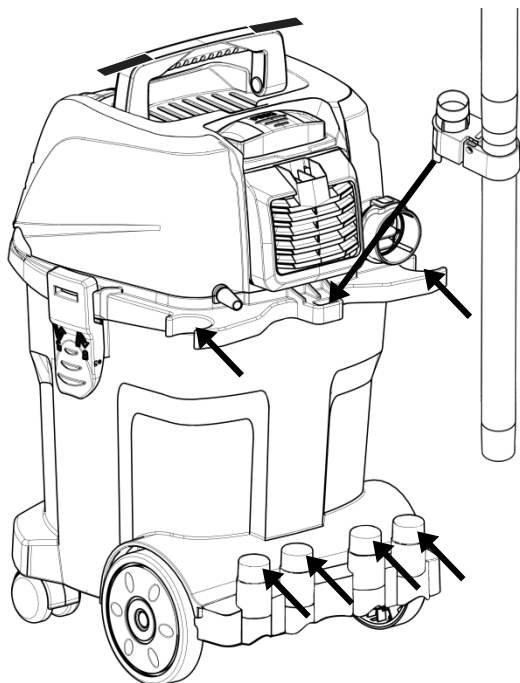


FIG. 15



ADVARSEL! Når apparatet ikke bruges, skal stikket tages ud af stikkontakten.

7. FEJLSØGNING

Reparation og vedligeholdelse af dele som ledning eller motor, må kun udføres af et godkendt værksted.

Støvsugeren starter ikke	<ul style="list-style-type: none">• Kontrollér, at stikket sidder rigtigt i kontakten, og at der er strømtilførsel.• Der kan være sprunget en sikring. Kontrollér sikringskassen.• Stikket eller forsyningsledningen kan være beskadiget. Kontakt servicecenteret for at finde det nærmeste autoriserede reparationsværksted.
Motoren fungerer ikke i automatisk drift	<ul style="list-style-type: none">• Det elektriske værktøj kan være defekt eller ikke tilsluttet korrekt. Kontrollér, at værktøjet fungerer, og at stikket er indsat korrekt.• Værktøjets nominelle effekt er for lavt. Den nominelle minimumeffekt for elektrisk tilbehør er 50 watt.
Motoren stopper	<ul style="list-style-type: none">• Støvsugeren er udstyret med en termisk beskyttelse, der afbryder motoren, hvis temperaturerne bliver for høje. Hvis dette sker, sluk for kontakten, vent i 10 minutter, så motoren får tid til at afkøles. Tænd for apparatet igen, og fortsæt arbejdet.
Sugeeffekten er nedsat	<ul style="list-style-type: none">• Beholderen kan være fuld. Start tømningen (se kapitel 4.7 og 4.8)• Den bøjede anordning, slangen og tilbehøret kan være tilstoppede. Fortsæt rengøringen.• Ovenstående dele kan være beskadigede. Udskift delene.• Filteret kan være tilstoppet. Rens filteret manuelt eller ved hjælp af rensesystemet, hvis maskinen har et sådant - se kapitel 5)• Kontrollér, at filteret er intakt, og skift det ud, hvis det er nødvendigt. Kontrollér, at det er anbragt korrekt.• Forbindelserne mellem slanger og apparat og tilbehør har løsnet sig, og skal efterstrammes.
Statisk elektricitet	<ul style="list-style-type: none">• Hvis omgivelserne er for tørre, skal luften fugtes.• Også selvom luftfugtigheden er lav, har dette ingen indvirkning på apparatet.

8. EU-OVERENSSTEMMELSESERKLÆRING
2006/42/CE - 2014/30/UE - 2011/65/CE

Vi:

IP Cleaning S.r.l.
Viale Treviso, 63
30026 Summaga - Portogruaro (VE) – Italy

erklærer på eget ansvar, at produkterne

<p>KLEEN 1/20 TC W&D P KP 1/20 CLEAN TC</p> <p>220-240 V / 50-60 Hz 1400 W nom / 1600 W max</p>	<p>KLEEN 1/30 TC W&D S KS 1/30 CLEAN TC</p> <p>220-240 V / 50-60 Hz 1400 W nom / 1600 W max</p>
---	---

som denne erklæring er udstedt for, opfylder følgende normer:

- IEC 60335 -1:2010+A1:2013
- IEC 60335 - 2 - 69:2016
- EN 62233: 2008
- EN 55014 - 1:2006+A1:2009+A2:2011
- EN 55014 - 2:1997+A1:2001+A2:2008
- EN 61000 - 3 - 2: 2014
- EN 61000 - 3 - 3: 2013

i henhold til direktiverne: 2006/42/CE (Maskindirektivet)
2014/30/UE (Elektromagnetisk kompatibilitet) 2011/65/CE (RoHS-direktivet)

Person, der er bemyndiget til at udfylde det tekniske dossier



IP Cleaning S.r.l.
Viale Treviso, 63
30026 Summaga - Portogruaro (VE) – Italy

Retlig repræsentant
dott. Pietro Annibaldi Corsano



01/06/2021

9. PRODUKTSPECIFIKATIONER

Model	KLEEN 1/20 TC W&D P KP 1/20 CLEAN TC	KLEEN 1/30 TC W&D S KS 1/30 CLEAN TC
Netspænding	220-240V	220-240V
Netfrekvens	50Hz/60Hz	50Hz/60Hz
Nominal effekt	1400 W	1400 W
Ekstra stikkontakt - effekt	1800 W	1800 W
Maksimal effekt	3200 W	3200 W
Beskyttelsesklasse	I	I
Beskyttelsestype	IPX4	IPX4
Beholdervolumen	20L	30L
Vibrationer	$a_h < 2.5 \text{ m/s}^2$	$a_h < 2.5 \text{ m/s}^2$
Lydtrykniveau på 1 m afstand, EN 60704-1		
Lydeffektniveau		
		

CE



BRUKSANVISNING

(Oversettelse av original bruksanvisning)



KLEEN 1/20 TC W&D P

KLEEN 1/30 TC W&D S

KP 1/20 CLEAN TC

KS 1/30 CLEAN TC



IPC

KJÆRE KUNDE

Gratulerer med kjøpet av din nye tørr-/våtstøvsuger.



Før du bruker apparatet for første gang, må du lese dette dokumentet nøye og ha instruksjonene lett tilgjengelige.

TILSIKTET BRUK

Denne støvsugeren er utformet, utviklet og grundig testet for å fungere effektivt og sikkert når den brukes riktig og i samsvar med instruksjonene i denne veiledningen. Denne støvsugeren er for kommersiell bruk (hotell, skoler, sykehus, fabrikker, kontorer og for utleie) eller for hjemmebruk. Skader som skyldes misbruk kan unngås av de som bruker maskinen.

FORSIKTIG: LES OG FØLG ALLE SIKKERHETSINSTRUKSJONENE.

Denne maskinen er egnet for støvsuging av ikke-brennbart støv og væsker. Enhver annen bruk regnes som feilaktig. Produsenten fraskriver seg ethvert ansvar for skader som følge av feilaktig bruk. Risikoen for slik bruk oppstår utelukkende fra brukeren. Riktig bruk inkluderer også riktig drift, vedlikehold og reparasjoner spesifisert av leverandøren.



! FORSIKTIG: LES SIKKERHETSINSTRUKSJONENE FØR BRUK AV DENNE STØVSUGEREN. OPPBEVARES FOR FREMTIDIG REFERANSE.

! FORSIKTIG: Bruk aldri denne enheten når brennbare materialer eller damper forekommer, det er fordi elektriske apparater produserer gnister som kan forårsake brann eller eksplosjon.

APPARATET SKAL ALDRI FORLATES UTEN TILSYN NÅR DET ER I DRIFT!



! FORSIKTIG: Bruk alltid vernebriller for å forhindre at rusk som kastes tilbake, forårsaker alvorlig personskade.

1. VIKTIGE SIKKERHETSINSTRUKSJONER

1.1 BRUKSINSTRUKSJONER:

Apparatet skal:

- Kun brukes av personer som har fått instruksjoner om riktig bruk av det og
- som eksplisitt er gitt ansvaret for bruk av apparatet.
- Settes i drift kun hvis det er under tilsyn.
- Dette apparatet er ikke ment for bruk av personer (inkludert barn) med begrensede
- fysiske, sensoriske eller mentale evner, eller uten erfaring og kunnskap.
- Barn må holdes under tilsyn slik at de ikke leker med apparatet.
- Følg alltid sikkerhetsprosedyrene.
- Ikke bruk støvsugeren uten filter.
- Slå av maskinen og koble kontakten fra strømforsyningen i følgende situasjoner:
 - Før rengjøring eller vedlikehold
 - Før utskiftning av komponenter
 - Når arbeidet er avsluttet
 - Hvis det utvikles skum eller det lekker væske

I tillegg til bruksinstruksjonene og den bindende standarden for forebygging av ulykker som er gyldig i brukerlandet, må de anerkjente standardene for sikkerhet og riktig bruk overholdes.

1.2 VIKTIGE ADVARSLER:

- For å redusere risikoen for brann, elektrisk støt eller personskaade, les og følg alle sikkerhetsinstruksjoner og sikkerhetsskilter før bruk. Denne støvsugeren er utformet for å være sikker når den brukes riktig, som spesifisert i denne veiledningen. Skulle det oppstå skade på elektriske eller mekaniske deler, skal apparatet og/eller reservedelene repareres av et kvalifisert servicesenter eller av produsenten før bruk for å unngå ytterligere skade på maskinen eller fysisk skade på brukeren.
- Ikke la maskinen være uten tilsyn med strømkabelen koblet inn i en stikkontakt.
- Før vedlikehold, koble fra stikkontakten hvis apparatet ikke brukes.
- Unngå bruk hvis kabelen eller stikkontakten er skadet. Ta ut støpselet ved å trekke i stikkontakten og ikke i kabelen. Unngå å ta på apparatet, ikke koble det til strømforsyningen, unngå å rengjøre apparatet med våte hender. Slå av alle brytere før strømforsyningen kobles fra.
- Unngå å trekke eller bære maskinen med kabelen, ikke bruk kabelen som et håndtak, ikke trekk i kabelen i nærheten av skarpe kanter eller hjørner. Unngå å klemme kabelen. Hold kabelen borte fra oppvarmede overflater.
- Hold hender, hår, klær og alle andre kroppsdeler borte fra åpninger og bevegelige deler.
- Ikke legg gjenstander i inntaket eller andre i åpninger. Unngå bruk hvis åpningene er blokkerte. Hold åpningene frie for støv, lo, hår eller annet som kan hindre luftstrømmen
- FORSIKTIG: Denne maskinen er ikke egnet til å samle opp farlig støv.
- Unngå å suge opp brennbare eller lettantennelige væsker, for eksempel bensin, og unngå bruk i områder der de kan være forekomme.
- Unngå å suge opp noe som brenner eller røyker, for eksempel sigaretter, fyrstikker eller varm aske.
- Vær spesielt forsiktig ved bruk i trapper.
- Ikke bruk hvis det ikke er montert filtre.
- Hvis støvsugeren ikke fungerer som den skal, hvis den har falt eller blitt skadet, hvis den har blitt liggende utendørs eller hvis den har falt i vann, må den sendes til servicesenteret.
- Hvis væske eller skum skulle lekke ut av maskinen, må apparatet slås av umiddelbart.
- Støvsugeren må ikke brukes som pumpe for væsker. Det må brukes til å suge ut luft blandet med vann.
- Koble støvsugeren til et passende jordet nettverk. Stikkontakten og skjøteledningen må ha en egnet jording.
- Påse at det er tilstrekkelig ventilasjon på arbeidsplassen.
- Ikke bruk apparatet som stige eller trinn. Det kan velte og bli skadet.
- Sug aldri opp følgende materialer: eksplosive eller brennbare gasser, væsker og støvpartikler (reaktive støvpartikler), reaktive metallstøvpartikler (som aluminium, magnesium, sink) i kombinasjon med sterkt alkaliske eller sure vaskemidler, ufortynnede og sterke syrer og baser eller organiske løsemidler som bensin, malingsfortynnere, aceton, fyringsolje og lignende produkter.
- Brannfare. Unngå å suge opp brennende eller glødende gjenstander.
- Ikke sug opp lettantennelige eller brennbare væsker som bensin eller reaktive støvpartikler;
- unngå oppsuging i områder der disse kan forekomme.
- Ikke bruk støvsugeren som en innretning for å sprøyte væsker som oljemaling, emaljer, rengjøringsmidler for husholdning osv.
- Ikke prøv å suge opp lunken eller varm aske. Den maksimale temperaturen på den oppsugede asken må være 102°F/40°C.
- Ikke sug opp giftige, kreftfremkallende eller brennbare materialer, som asbest, arsen, barium, beryllium, bly, plantevernmidler, andre stoffer som kan være helseskadelige.
- For å unngå spontan antennelse, må beholderen tømmes etter hver bruk.

- **MERKNAD:** Utladninger av statisk elektrisitet kan oppstå hvis miljøet er for tørt. Dette vil ikke påvirke bruken av støvsugeren. For å unngå støt, tilfør fuktighet til luften med en luftfukter.
- **VÆR OPPMERKSOMME** og bruk sunn fornuft. Ikke bruk støvsugeren når du er under påvirkning av narkotiske midler, alkohol, medisiner, eller hvis du er sliten eller distraheret.
- Ikke la strømkabelen ligge viklet på gulvet når arbeidet er fullført. Det kan bli en kilde til snublefare.
- Hvis strømkabelen er skadet, må den skiftes ut av produsenten eller av et spesialisert teknisk assistansesenter for å unngå fare.
- Ikke la støvsugeren brukes som et leketøy. Spesiell oppmerksomhet må rettes når apparatet brukes av barn eller i nærheten av barn.
- Hold emballasjematerialet borte fra barn. Kvelningsfare.
- Beskytt enheten mot regn. Oppbevares kun innendørs.
- **FORSIKTIG:** Denne maskinen skal ikke brukes utendørs.
- Unngå å bruke støvsugeren under regn.
- Bruk beskyttelsesmasker når beholderen tømmes for fint støv av alle slag.
- Trekk ut støpselet før du kobler til slangen og eventuelle tilbehør.
- Ikke la apparatet være koblet til strømforsyningen uten tilsyn. Koble fra stikkontakten når den ikke er i bruk og før det utføres vedlikehold.
- Koble bare til en jordet stikkontakt. Se jordingsinstruksjonene.
- **FORSIKTIG:** operatører bør være tilstrekkelig opplært i bruk av denne maskinen.
- **FORSIKTIG:** Rengjør enheten som begrenser vannivået regelmessig og kontroller at den er intakt.
- Nivåsensoren (flottør) har som funksjon å stoppe oppsugingen når beholderen er full av væske, eller hvis den velter; rengjør denne regelmessig og kontroller at den ikke er skadet. Bytt den ut ved behov.

1.3 KUN GJELDENE I STORBRITANNIA:

Vennligst les følgende viktige instruksjoner.

Disse instruksjonene er utarbeidet i henhold til effektivitets- og sikkerhetsstandarder. Operatøren må instrueres av en kvalifisert instruktør og må forstå disse instruksjonene, og bli informert om relevante forskrifter og gjeldende lovgivning på tidspunktet for bruk.

Denne maskinen på 240 V-50 Hz er utstyrt med en 13A støpt plugg med 3 kontakter. Støpselet utstyrt med en 13 A avtakbar sikring. Riktig utskifting av sikringen identifiseres ved merking eller fargekoding. Bare ASTA-godkjente sikringer til BS 1362 skal monteres. Bruk aldri støpselet uten sikringsholderen. Reservedeler til sikringsholderen er tilgjengelig i samtlige butikker med elektriske reservedeler.

1.4 TESTER OG GODKJENNINGER

Elektriske tester må utføres i samsvar med sikkerhetsforskriftene EN 62638. Disse testene må utføres med jevne mellomrom og etter reparasjoner eller modifikasjoner. Støvsugeren er godkjent i samsvar med IEC/EN 60335-2-69.

MERK: Alle bildene og tegningene er kun veiledende.

2. OVERSIKT

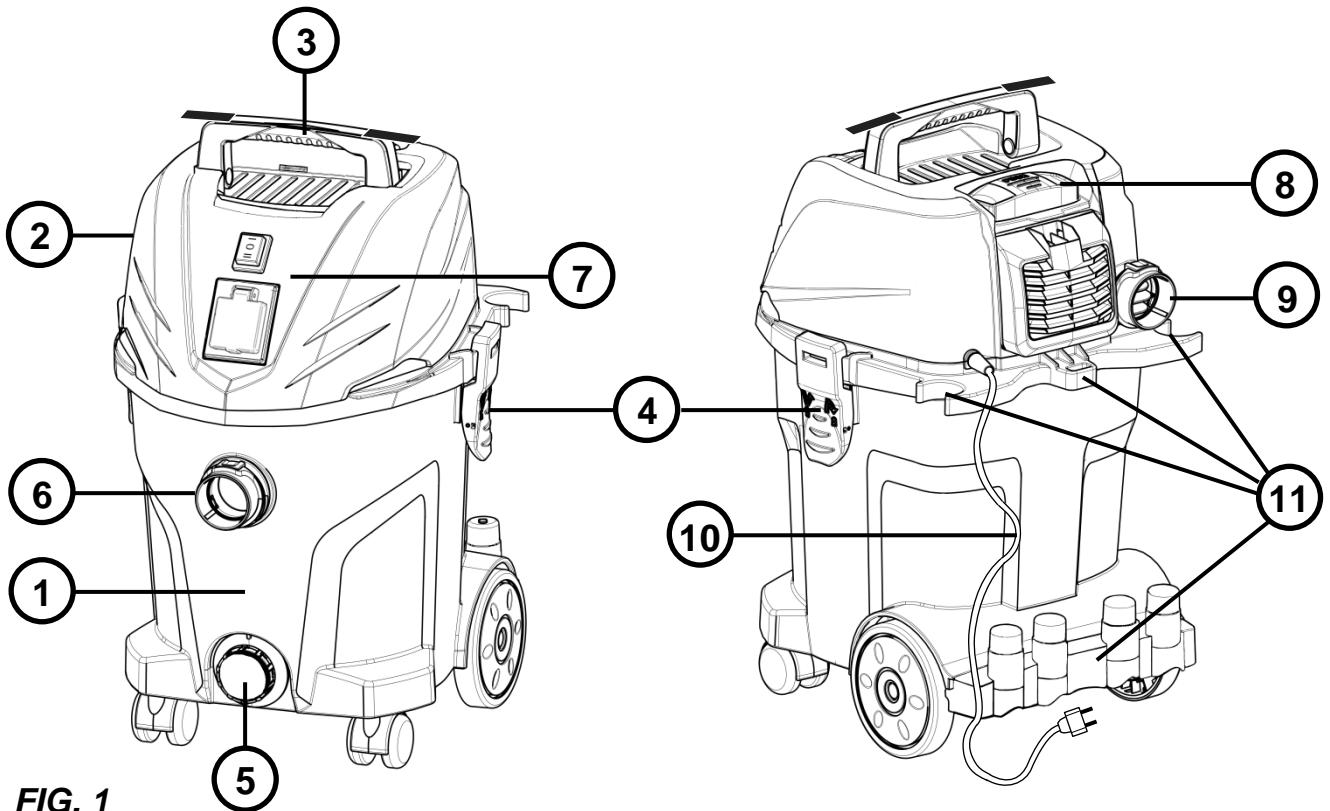


FIG. 1

- 1. Beholder
- 2. Hode
- 3. Håndtak
- 4. Kroker
- 5. Utløp
- 6. Sugeinntak
- 7. Kontrollpanel

- 8. Filterrengjøringsknapp
- 9. Blåseutløp
- 10. Kabel og støpsel
- 11. Tilbehørholder
- 12. Slange med kurvet stykke
- 13. Slanger
- 14. Støvbørste

- 15. Væskebørste
- 16. Fugemunnstykke
- 17. Børste
- 18. Adapter
- 19. Papirpose

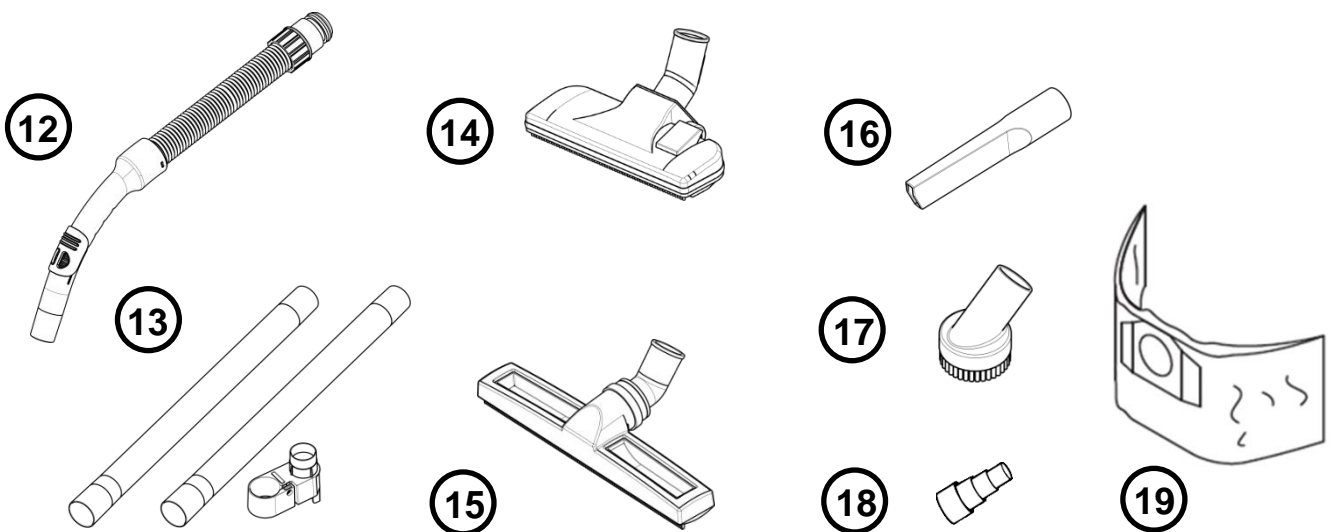


FIG. 2

Noe av dette tilbehøret er plassert på innsiden av beholderen. Hvis det mangler noen deler, kontakte kundeservice.

3. INSTALLASJONSINSTRUKSJONER

Les nøye kapittelet 1 – VIKTIGE SIKKERHETSINSTRUKSJONER i denne veiledningen før installasjon og bruk av denne støvsugeren.

3.1 TILBEHØR

Åpningene og tilbehøret til maskinen lagres inne i beholderen. For å åpne beholderen, åpne krokene og ta av hodet. Ta ut tilbehøret og sett på plass hodet. Fest hodet igjen ved hjelp av krokene.

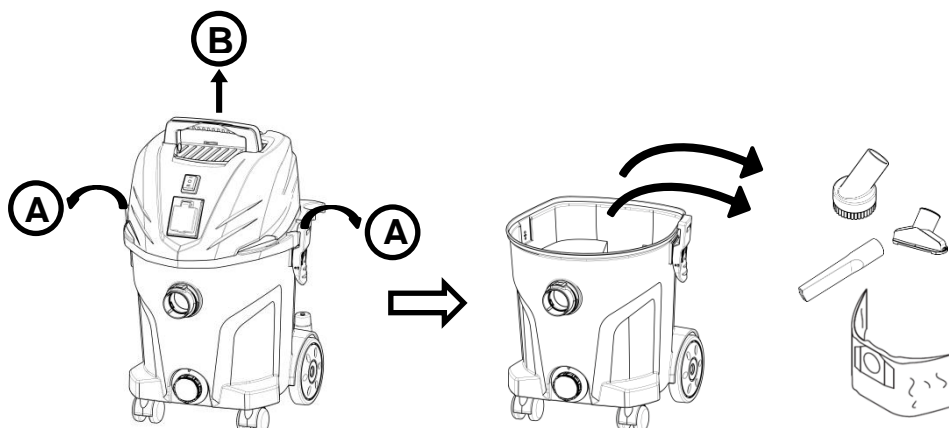


FIG. 3

Se kapittel 6 for å finne ut hvor du kan oppbevare tilbehøret på maskinen.

4. BRUK AV STØVSUGEREN

Les nøye kapittelet 1 – VIKTIGE SIKKERHETSINSTRUKSJONER i denne veiledningen før installasjon og bruk av denne støvsugeren.

4.1 MONTERING AV PAPIRPOSE

Hvis det suges opp tørt støv (modus dry), kan en papirpose (tilvalg) brukes til å samle støvet og lette avhendingen.

For å sette inn papirposen, fjern motorhodet (se også figur 3). Sett inn papirposen som vist i figur 4. Sett på plass hodet og stram det med krokene.

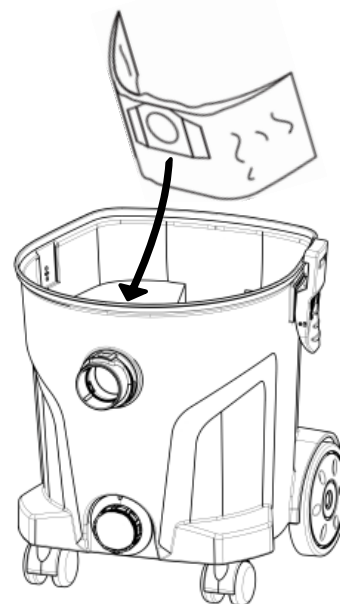


FIG. 4

4.2 TØRR ELLER VÅT OPPSUGING

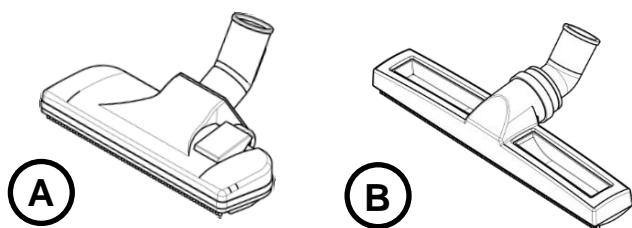


FIG. 5

Bruk støvbørsten for å suge opp tørt støv og rusk (A) med børstene.

For å suge opp væsker, bruk væskebørsten (B).

Ved oppsuging av væske, er det nødvendig å fjerne filteret: fjern motorhodet (se også figur 3), roter filteret til det løsnes og fjern det fra setet, sett på hodet igjen.

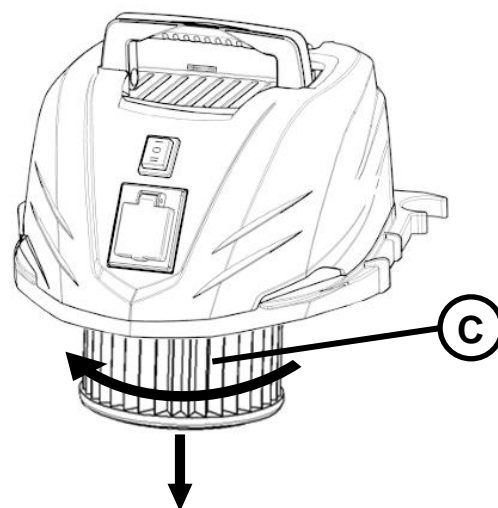


FIG. 6

4.3 OPPSUGING - INNSETTING OG FJERNING AV SLANGE

For å suge opp, sett slangen (A) inn i sugeinntaket (B). Trykk på knappen (C) for å fjerne slangen, skru og trekk i en bevegelse.

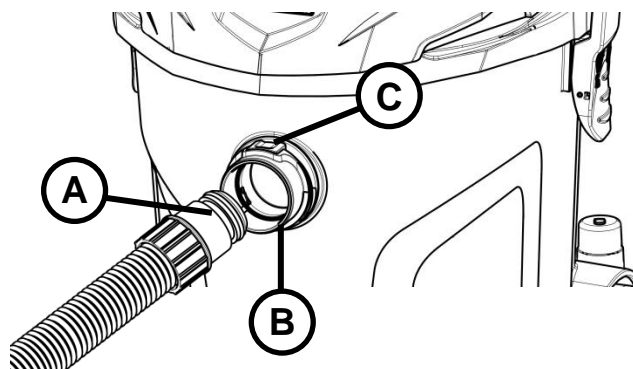


FIG. 7

4.4 BLÅSEFUNKSJON - INNSETTING OG FJERNING AV SLANGE

Maskinen kan også brukes med blåsefunksjon. I noen tilfeller er det lettere å samle opp rusk med blåsefunksjonen og deretter suge de opp. For å bruke støvsugeren i blåsemodus, sett slangen i blåseutløpet (A).

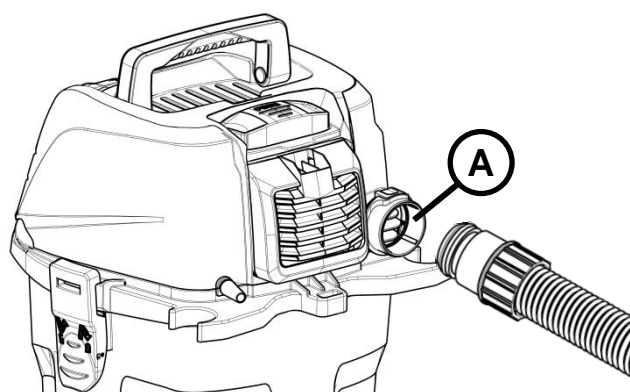


FIG. 8

4.5 SLÅ PÅ MASKINEN

Støvsugeren kan slås på eller av ved hjelp av on/off-bryteren(A).

For å bruke den ekstra stikkontakten (B) se neste kapittel.

Støvsugeren kan utstyres med en indikator (C), som indikerer når trykket synker. Denne situasjonen oppstår når filteret er tett og må rengjøres (se kapittel 5), eller posen er full og må skiftes ut.

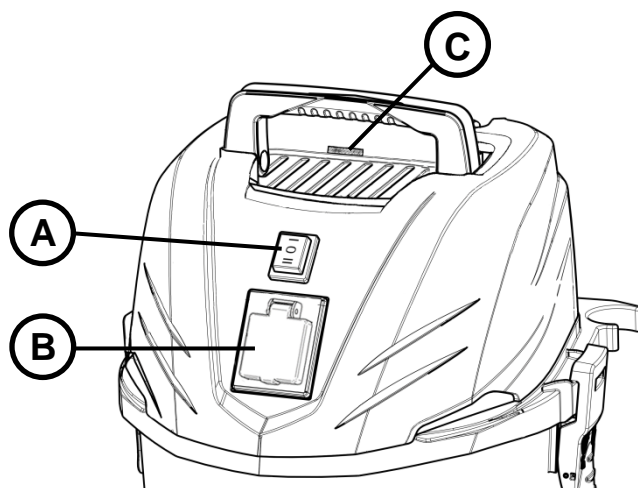


FIG. 9

4.6 EKSTRA STIKKONTAKT OG AUTOMATISK START-/STOPPFUNKSJON

Støvsugeren er utstyrt med en ekstra stikkontakt som et elektrisk apparat kan kobles til. Koble verktøyet til stikkontakten (A), fjern det kurvede stykket og koble den koniske adapteren (B) til verktøyet (C). Sett apparatet i AUTO-modus ved hjelp av bryteren (D). I dette tilfellet vil apparatet slå seg på når verktøyet slås på, og vil slå seg av med en liten forsinkelse når verktøyet slås av (slik at røret kan tømmes).

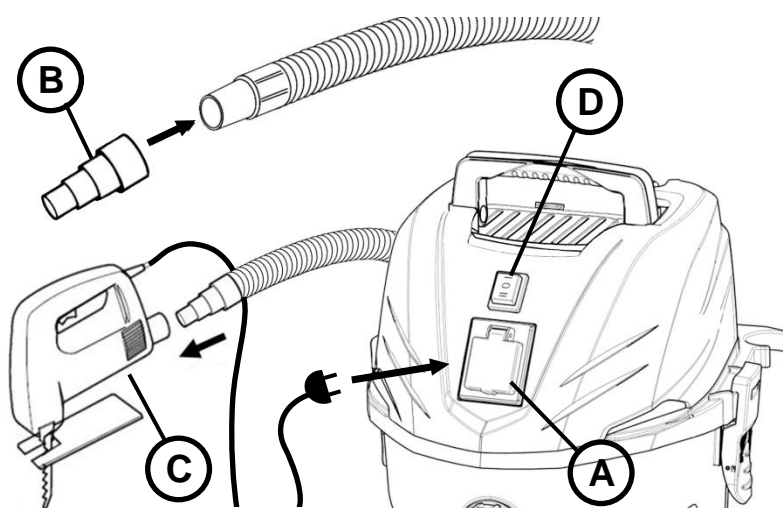


FIG. 10



! FORSIKTIG - Ikke sett støvsugeren i funksjon hvis filtrene og flottøren ikke sitter i sine respektive seter, da de forhindrer væske i å trenge inn i hodet og skade motoren.





! FORSIKTIG - For å redusere risikoen for personskader eller fall, unngå å løfte støvsugeren hvis beholderen er full av væsker eller rester. Tøm beholderen for innholdet på en slik måte at støvsugeren blir lett nok til å kunne løfte den trygt.


MERKNAD: HVIS STØVSUGEREN VELTES VED ET UHELL, KAN DEN MISTE NOE AV SUGEEFFEKTEN. I SÅ FALL MÅ STØVSUGEREN FØRST SETTES I VERTIKAL STILLING, OG DERETTER TRYKK PÅ AV-KNAPPEN. DETTE GJØR DET MULIG FOR FLOTTØREN Å RETURNERE TIL NORMAL STILLING, OG MAN KAN FORTSETTE Å ARBEIDE.



! FORSIKTIG - Les sikkerhetsinstruksjonene og instruksjonene angående typen materiale som ikke kan suges opp med dette produktet.

 **! FARE** - Dette apparatet inneholder deler som brytere og motorer som kan produsere elektriske buer eller gnister. Ikke sug opp varme, lettantennelige eller brennbare materialer. Ikke bruk i nærheten av eksplosive væsker eller damp, da elektriske apparater kan produsere buer eller gnister, som kan forårsake brann eller eksplosjoner. Ikke bruk på bensinstasjoner eller steder der bensin blir lagret.

 Denne støvsugeren er utstyrt med et termisk vern som beskytter motoren mot høye temperaturer. Denne kan utløses ved intensiv bruk. Hvis motoren slås av under bruk, trykk på **NOTE!** ON/OFF-bryteren og la den være avslått i 5 minutter for å la motoren avkjøles. Deretter kan maskinen slås på og arbeidet gjenopptas.

 **! FORSIKTIG** - Forsikre deg om at elektro-verktøyet som brukes sammen med den ekstra stikkontakten ikke overstiger effekten som er angitt på selve stikkontakten.

4.7 4.7 TØMME VÆSKE FRA BEHOLDEREN

For å tømme væsken fra beholderen, skru av lokket (A) og fjern det helt.

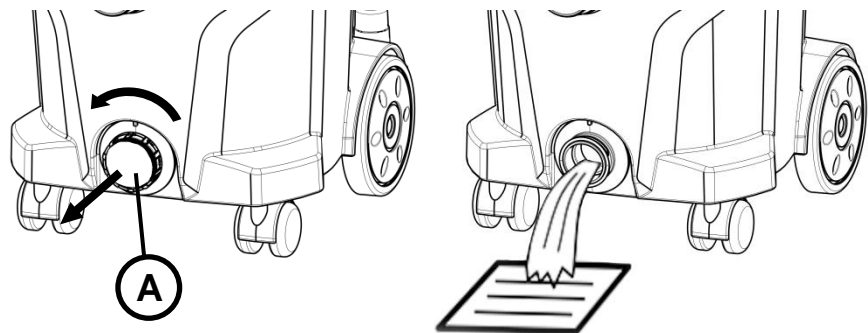


FIG. 11

4.8 TØMME BEHOLDEREN FOR STØV/RESTER

For å tømme beholderen for støv og rusk, fjern hodet (se kapittel 3.1). Hvis det er montert en papirpose, må du fjerne den og montere en ny.

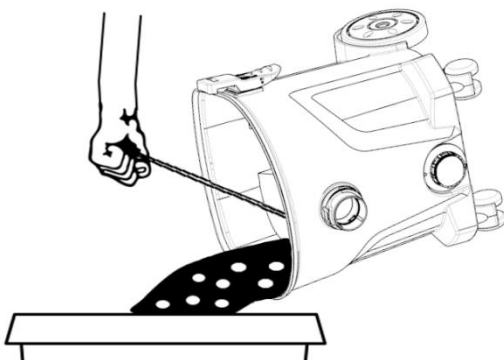


FIG. 12

5. RENGJØRING AV FILTER

Når det suges opp fint støv, har filteret en tendens til å tette seg og sugeseffekten reduseres. Det er derfor nødvendig å rengjøre filteret.

5.1 MANUELL RENGJØRING AV FILTER

Filteret kan rengjøres manuelt på følgende måte: vri filteret (A) helt til det frigjøres og fjern det fra hodet, rengjør det med kaldt vann (B). Vent til det tørker helt (C). Sett filteret på plass igjen.

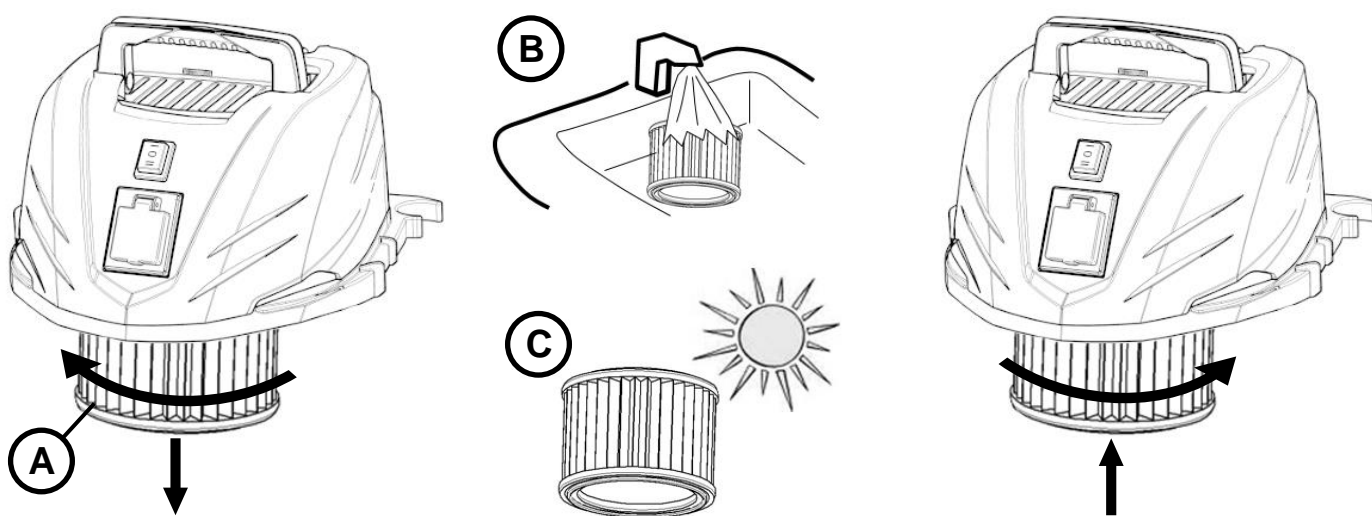


FIG. 13

5.2 HALVAUTOMATISK RENGJØRING AV FILTER

Maskinen er utstyrt med et halvautomatisk filterrengjøringsystem.

Lukk inntaket ved å lukke åpningen til det kurvede stykket eller slangen (A) ved å plassere en hånd på enden av munnstykket eller ved å sette det kurvede stykket i setet (B).

Vent i 2-3 sekunder til maksimum undertrykk er oppnådd. Trykk raskt på filterrengjøringsknappen (C) 5 ganger etter hverandre. Denne prosedyren vil rense filteret og gjenopprette de innledende egenskapene.

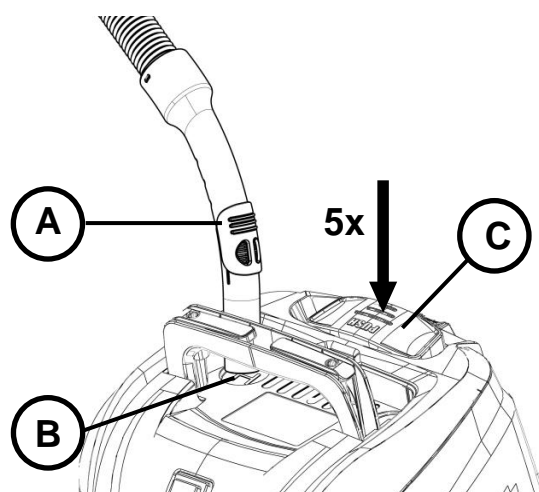


FIG. 14

6. LAGRING

Oppbevar støvsugeren innendørs, ved temperaturer over 0°C og i et tørt miljø.

Før støvsugeren settes til lagring, utfør en filterrengjøring med det halvautomatiske systemet (se avsnitt 5.2).

Vikle strømkabelen rundt håndtaket. Slangene og annet tilbehør kan lagres i tilbehørsholderen på baksiden av maskinen.

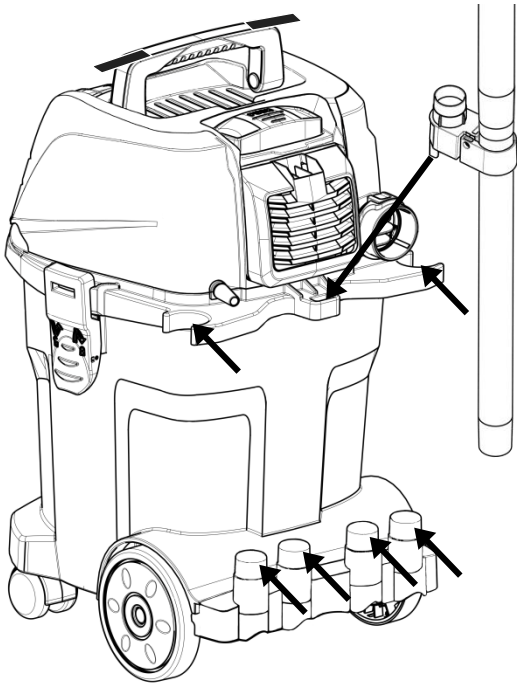


FIG. 15



FORSIKTIG! Koble strømkabelen fra stikkontakten hvis den ikke er i bruk.

7. FEILSØKING

Reparasjon og vedlikehold av komponenter som strømkabelen eller motoren kan bare gjøres av et autorisert servicesenter.

Støvsugeren starter ikke	<ul style="list-style-type: none">• Kontroller at støpselet er riktig satt inn i stikkkontakten og at spenning er til stede.• En sikring kan ha gått. Kontroller sikringsboksen.• Stikkkontakten eller strømkabelen kan være skadde. Kontakt kundeservicekontoret for å identifisere nærmeste autoriserte reparasjonssenter.
Motoren fungerer ikke i automatisk modus	<ul style="list-style-type: none">• Det elektriske verktøyet kan være defekt eller ikke riktig tilkoblet. Kontroller at verktøyet fungerer og at støpselet er satt riktig inn.• Verktøyets nominelle effekt er for lav. Minimum nominell effekt for det elektriske tilbehøret er 50 Watt.
Motoren stopper	<ul style="list-style-type: none">• Støvsugeren er utstyrt med et termisk vern som slår av motoren hvis den når for høye temperaturer. Hvis dette skjer, slå av bryteren, vent i 10 minutter for å la motoren avkjøles. Slå på apparatet igjen og fortsett arbeidet.
Redusert sugeevne	<ul style="list-style-type: none">• Beholderen kan være full. Foreta tømning (se kapittel 4.7 og 4.8)• Kurvet stykke, slangen eller tilbehøret kan være tilstoppet. Foreta rengjøring.• Elementene nevnt ovenfor kan være skadde. Foreta utskiftning.• Filteret kan være tilstoppet. Rengjør filteret manuelt eller med rengjøringssystemet (hvis tilgjengelig - se kapittel 5)• Kontroller at filteret er intakt og skift det ut om nødvendig. Kontroller at det er riktig montert.• Forbindelsene mellom slange og maskin og mellom slange og tilbehør har løsnet og må strammes.
Statisk elektrisitet	<ul style="list-style-type: none">• Hvis miljøet er for tørt, fuktig luften.• Selv om luftens relative fuktighet er lav, vil det ikke ha noen konsekvenser for apparatet.

8. EF-SAMSVARERKLÆRING

2006/42/CE - 2014/30/UE - 2011/65/CE

Vi:

IP Cleaning S.r.l.
Viale Treviso, 63
30026 Summaga - Portogruaro (VE) – Italy

erklærer under eget ansvar at produktene

<p>KLEEN 1/20 TC W&D P KP 1/20 CLEAN TC</p> <p>220-240 V / 50-60 Hz 1400 W nom / 1600 W max</p>	<p>KLEEN 1/30 TC W&D S KS 1/30 CLEAN TC</p> <p>220-240 V / 50-60 Hz 1400 W nom / 1600 W max</p>
---	---

denne erklæringen henviser til, er i samsvar med følgende standarder:

- IEC 60335 -1:2010+A1:2013
- IEC 60335 - 2 - 69:2016
- EN 62233: 2008
- EN 55014 - 1:2006+A1:2009+A2:2011
- EN 55014 - 2:1997+A1:2001+A2:2008
- EN 61000 - 3 - 2: 2014
- EN 61000 - 3 - 3: 2013

i henhold til bestemmelsene i direktivene: 2006/42/EF (Maskindirektivet)
2014/30/EU (Elektromagnetisk kompatibilitet EMC) 2011/65/EU (Direktiv RoHS II)

Person som er autorisert til å utarbeide den
tekniske dokumentasjonen



IP Cleaning S.r.l.
Viale Treviso, 63
30026 Summaga - Portogruaro (VE) – Italy

Juridisk representant
dott. Pietro Annibaldi Corsano



01/06/2021

9. PRODUKTSPEKIFIKASJONER

Modell	KLEEN 1/20 TC W&D P KP 1/20 CLEAN TC	KLEEN 1/30 TC W&D S KS 1/30 CLEAN TC
Spenning	220-240V	220-240V
Frekvens	50Hz/60Hz	50Hz/60Hz
Nominell effekt	1400 W	1400 W
Effekt ekstra uttak	1800 W	1800 W
Maksimum effekt	3200 W	3200 W
Beskyttelsesklasse	I	I
Beskyttelsestype	IPX4	IPX4
Beholdervolum	20L	30L
Vibrasjoner	$a_h < 2.5 \text{ m/s}^2$	$a_h < 2.5 \text{ m/s}^2$
Lydtrykknivå i en meters avstand, EN 60704-1		
Lydeffektnivå		
		

CE



BRUKSANVISNING

(översättning av originalinstruktioner)



KLEEN 1/20 TC W&D P

KLEEN 1/30 TC W&D S

KP 1/20 CLEAN TC

KS 1/30 CLEAN TC



IPC

BÄSTA KUND

Grattis till köpet av din nya dammsugare av torra och flytande material.



Innan du använder apparaten för första gången, ska du läsa igenom detta dokument noggrant och förvara instruktionerna på en lättillgänglig plats.

AVSEDD ANVÄNDNING

Denna dammsugare har konstruerats, utvecklats och noggrant testats för att fungera effektivt och säkert när den används korrekt och i enlighet med instruktionerna i denna bruksanvisning. Denna dammsugare är utformad för kommersiell användning (hotell, skolor, sjukhus, fabriker, kontor och för uthyrning) eller för hemmabruk. Skador till följd av en felaktig användning kan undvikas av de som använder apparaten.

VARNING: LÄS OCH FÖLJ ALLA SÄKERHETSFÖRSKRIFTER

Denna apparat är lämplig för dammsugning av torrt icke-brandfarligt damm och vätskor. All annan användning ska betraktas som olämplig. Tillverkaren fransäger sig allt ansvar för skador till följd av felaktig användning. Risken för sådan användning är uteslutande på användarens ansvar. En korrekt användning omfattar även korrekt drift, underhåll och reparationer som anges av leverantören.



! VARNING: LÄS SÄKERHETSFÖRESKRIFTERNA INNAN DU ANVÄNDER DAMMSUGAREN. SPARA FÖR FRAMTIDA KONSULTATION.

! VARNING: Använd aldrig denna enhet i närvaro av brandfarliga material eller ångor. Detta på grund av att elektriska apparater avger gnistor som kan orsaka brand eller explosion.

LÄMNA ALDRIG APPARATEN OÖVERVAKAD NÄR DEN ÄR I DRIFT!



! VARNING: Använd alltid ögonskydd för att förhindra att den smuts som stöts ut orsakar allvarliga skador.

1. VIKTIGA SÄKERHETSFÖRESKRIFTER

1.1 BRUKSANVISNINGAR:

Apparaten:

- får enbart användas av utbildade personer med kunskap om dess korrekta användning och som uttryckligen ansvarar för apparatens användning
- får enbart tas i drift om den övervakas
- denna apparat är inte avsedd för att användas av personer (inklusive barn) med nedsatt fysisk eller mental förmåga eller utan erfarenhet och kunskap om dess funktion
- barn måste övervakas så att de inte leker med apparaten
- följ alltid alla säkerhetsförfaranden
- använd aldrig dammsugaren utan filter.
- Slå av apparaten och dra ut stickkontakten från nätuttaget i följande fall:
 - före rengöring och underhåll
 - före byte av komponenter
 - efter avslutat arbete
 - vid skumbildning eller vätskeläckage.

1.2 VIKTIGA ANVISNINGAR:

- Läs och följ alla säkerhetsanvisningar och säkerhetsskyltar före användning för att minska risken för brand, elchock eller personskada. Denna dammsugare har utformats för att vara säker när den används korrekt enligt anvisningarna i denna bruksanvisning. Om skador på elektriska eller mekaniska delar uppstår måste apparaten och/eller reservdelarna repareras av en kvalificerad teknisk servicecentral eller av tillverkaren innan apparaten används, för att undvika ytterligare skador på maskinen eller fysiska skador på användaren.
- Lämna inte apparaten oövervakad om stickkontakten sitter i nätuttaget.
- Dra ut kontakten ur nätuttaget när apparaten inte används och innan du utför några underhållsåtgärder.
- Använd inte apparaten om sladden eller uttaget är skadade. Dra i uttaget och inte i sladden för att frångkoppla stickkontakten från nätuttaget. Rör inte, anslut eller rengör apparaten med våta händer. Slå av alla omkopplare innan du frångopplar strömförsörjningen.
- Dra inte eller förflytta apparaten genom att dra i stickkontakten, använd inte kontakten till handtag, och dra den inte nära vassa kanter eller hörn. Kläm inte sladden. Håll sladden långt ifrån varma ytor.
- Håll händer, hår, kläder och övriga kroppsdelar på avstånd från öppningar och delar i rörelse.
- Placera inga föremål mot munstycket eller andra öppningar. Använd inte om öppningarna är blockerade. Håll öppningarna fria från damm, ludd, hår eller annat som kan hindra luftflödet.
- VARNING: Denna apparat är inte lämplig för att samla upp farligt damm.
- Sug inte upp brännbara eller brandfarliga vätskor, såsom bensin, och använd inte apparaten på områden där de kan finnas.
- Sug inte upp glödande eller rökande gnistor som cigaretter, tändstickor eller aska som fortfarande är heta.
- Var särskilt uppmärksam vid användning på trappsteg.
- Använd inte om filtren inte monterats.
- Om dammsugaren inte fungerar ordentligt, om den har tappats eller skadats, om den har lämnats utomhus eller om den har tappats i vatten, ska du skicka in den till servicecentret.
- Slå omedelbart av apparaten om den läcker vätska eller skum.
- Dammsugaren får inte användas till vätskepump. Den ska användas för att suga upp luft uppblandat med vatten.
- Anslut dammsugaren till ett lämpligt jordat nätuttag. Nätuttagen och förlängningssladden måste vara lämpligt jordade.
- Säkerställ av arbetsplatsen har en bra ventilation.
- Använd inte apparaten till stege eller stöd. Den kan välta och gå sönder.
- Dammsug aldrig följande material: brännbara eller explosiva gaser, reaktiva vätske- eller pulverpartiklar, reaktiva metallpartiklar (såsom aluminium, magnesium, zink) i kombination med mycket sura eller alkaliska rengöringsmedel, utspädda starka syror, alkaliska ämnen eller organiska lösningsmedel såsom bränslen, förtunningsmedel, aceton, brännolja eller liknande produkter.
- Brandfara. Sug inte upp några glödande eller brinnande föremål.
- Sug inte upp brandfarliga eller brännbara vätskor som bensin eller reaktiva dammpartiklar och dammsug inte på områden där dessa kan förekomma.
- Använd inte dammsugaren som en anordning för sprutning av vätskor såsom oljefärger, emaljer, hushållsrengöringsmedel o.s.v.
- Försök inte dammsuga varm eller het aska. Den högsta temperaturen för uppsugen aska måste ligga på 102 F/40°C.

- Dammsug inte upp giftiga, cancerframkallande eller brännbara material, såsom asbest, arsenik, barium, beryllium, bly, bekämpningsmedel och andra hälsofarliga ämnen.
- Töm trumman efter varje användning för att undvika spontan förbränning.
- ANMÄRKNING: Statisk elektricitet kan urladdas om miljön är för torr. Detta påverkar inte dammsugarens användning. Tillsätt fukt i luften via en luftfuktare för att undvika elstötar.
- VAR UPPMÄRKSAM och använd sunt förnuft. Använd inte dammsugaren under påverkan av droger, alkohol, läkemedel eller om du är trött eller distraherad.
- Lämna inte nätsladden oupprullad på golvet efter avslutat arbete. Den kan utgöra en snubbelrisk.
- Om nätsladden är skadad måste den bytas ut av tillverkaren eller av ett specialiserat tekniskt servicecenter för att undvika fara.
- Låt inte dammsugaren användas som leksak. Iaktta särskild uppmärksamhet när dammsugaren används av barn eller i närheten av barn.
- Förvara förpackningsmaterialen på avstånd från barn. Kvävningrisk.
- Skydda apparaten mot regn. Förvara inomhus.
- VARNING: Denna apparat får inte användas utomhus.
- Utsätt inte apparaten för regn.
- Använd skyddsmask när du tömmer trumman från fint damm av något slag.
- Frånkoppla strömförsörjningen innan du ansluter röret eller några andra tillbehör.
- Lämna aldrig apparaten oövervakad när den är ansluten till strömförsörjningen. Dra ut nätsladden från uttaget när dammsugaren inte används och innan du utför underhåll.
- Anslut endast till jordade uttag. Se jordningsinstruktioner.
- VARNING: Användarna bör vara korrekt utbildade för apparatens användning.
- VARNING: Rengör regelbundet den anordning som begränsar vattennivån och kontrollera dess integritet.
- Nivåsensorn (flytande) stoppar suget när trumman är full av vätska eller om dammsugaren välter. Rengör sensorn och kontrollera att den inte uppvisar några skador, byt ut vid behov.

1.3 GÄLLER ENBART I ENGLAND:

Läs följande viktiga instruktioner.

Dessa instruktioner är utarbetade enligt standarder för effektivitet och säkerhet. Användaren måste instrueras av en kvalificerad instruktör och förstå dessa instruktioner samt informeras om alla relevanta förordningar och den lagstiftning som gäller vid tidpunkten för dammsugarens användning.

Denna apparat på 240 V-50 Hz är utrustad med en 13A gjuten kontakt med 3 kontakter. Stickkontakten är försedd med en löstagbar säkring på 13 A. Säkringens korrekta ersättningen identifieras med en färgkod eller ett märke. Endast ASTA-godkända säkringar med BS 1362 får monteras. Använd aldrig stickkontakten utan säkringshållaren.

Reservdelar till säkringshållaren finns i alla elbutiker.

1.4 TEST OCH TILLSTÅND

Elektriska tester måste utföras i enlighet med bestämmelserna i SS-EN 62638 säkerhetsnormer. Dessa tester ska utföras med jämna mellanrum och efter reparationer eller ändringar. Dammsugaren har godkänts i enlighet med IEC/SS-EN 60335 2 69.

OBS! Alla bilder och ritningar har enbart ett demonstrativt syfte.

2. ÖVERSIKT

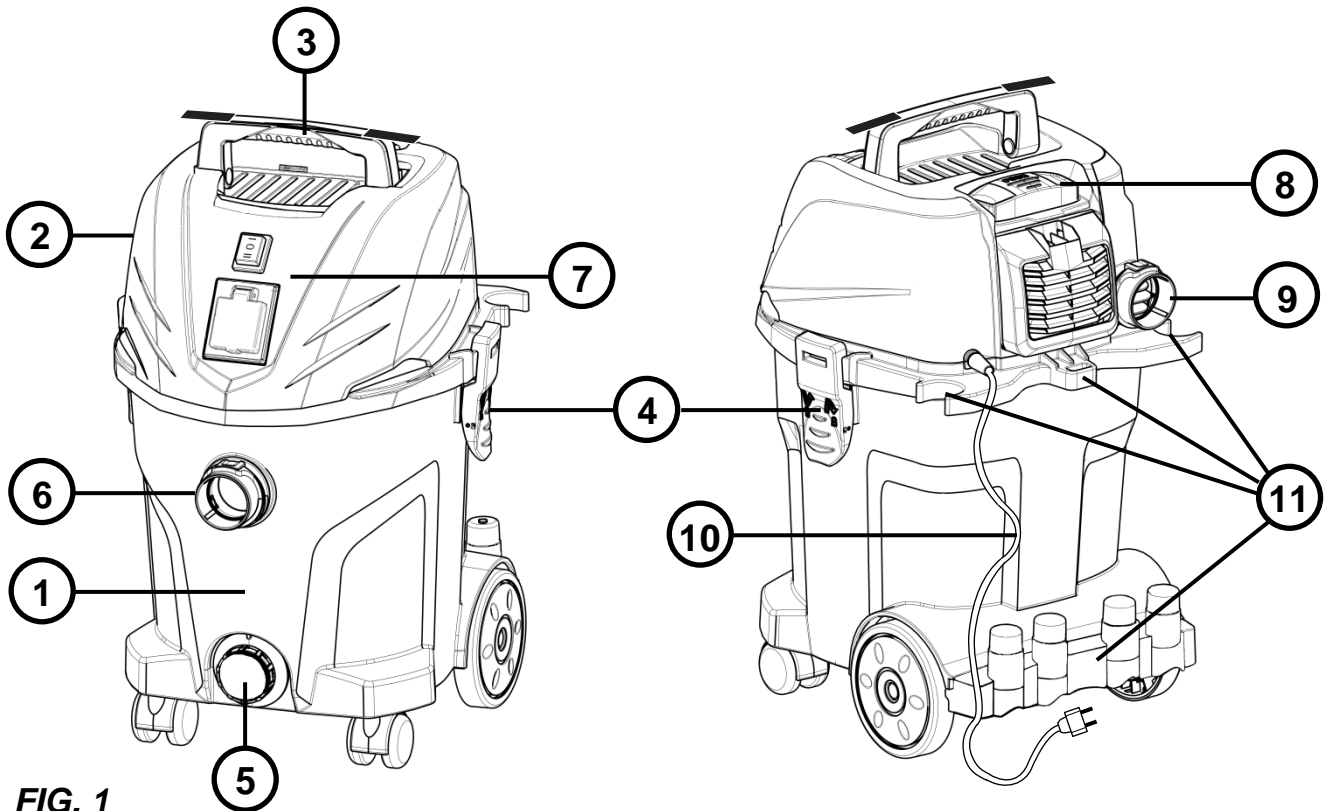


FIG. 1

- | | | |
|------------------|----------------------------|-------------------|
| 1. Trumma | 8. Filterrengöringsknapp | 15. Våtmunstycke |
| 2. Huvud | 9. Luftutlopp | 16. Fogmunstycke |
| 3. Handtag | 10. Sladd och stickkontakt | 17. Dammborste |
| 4. Spärrhakar | 11. Tillbehörshållare | 18. Adapter |
| 5. Avlopp | 12. Rör med handrör | 19. Dammsugarpåse |
| 6. Sugmunstycke | 13. Rör | |
| 7. Kontrollpanel | 14. Torrmunstycke | |

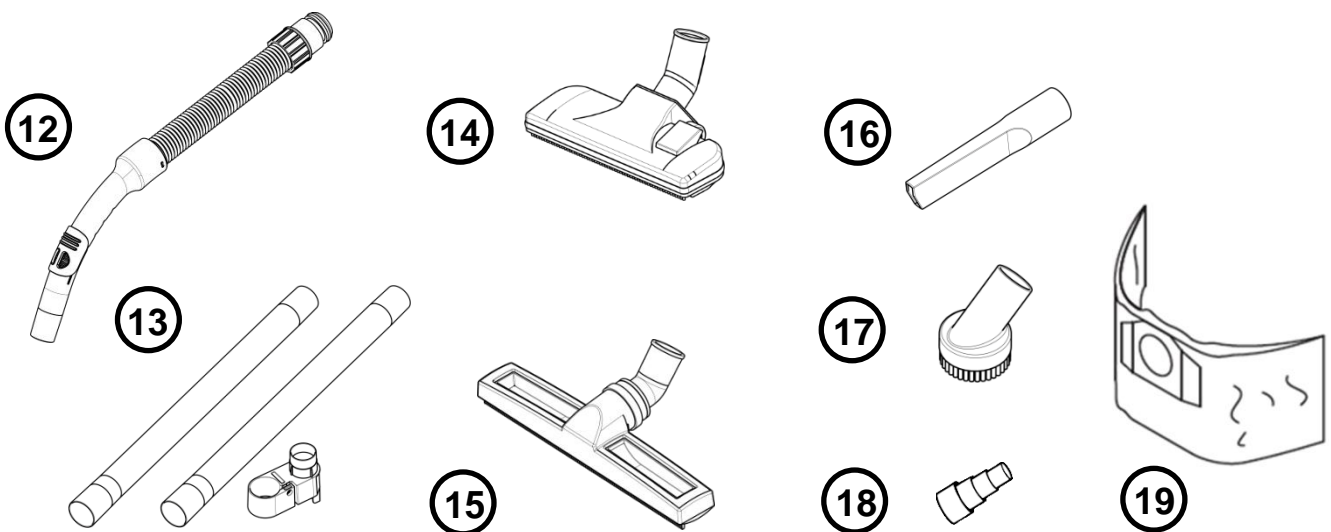


FIG. 2

Några av dessa tillbehör sitter inuti trumman. **Vänligen kontakta kundtjänst, om några delar saknas.**

3. INSTALLATIONSINSTRUKTIONER

Läs noga igenom kapitlet 1 – VIKTIGA SÄKERHETSFÖRESKRIFTER i denna bruksanvisning innan du installerar och använder denna dammsugare.

3.1 TILLBEHÖR

Apparatens munstycken och tillbehör förvaras inuti trumman. Öppna spärrhakarna och avlägsna huvudet för att öppna trumman. Plocka ut tillbehören och återmontera huvudet. Haka tillbaka huvudet med spärrhakarna.

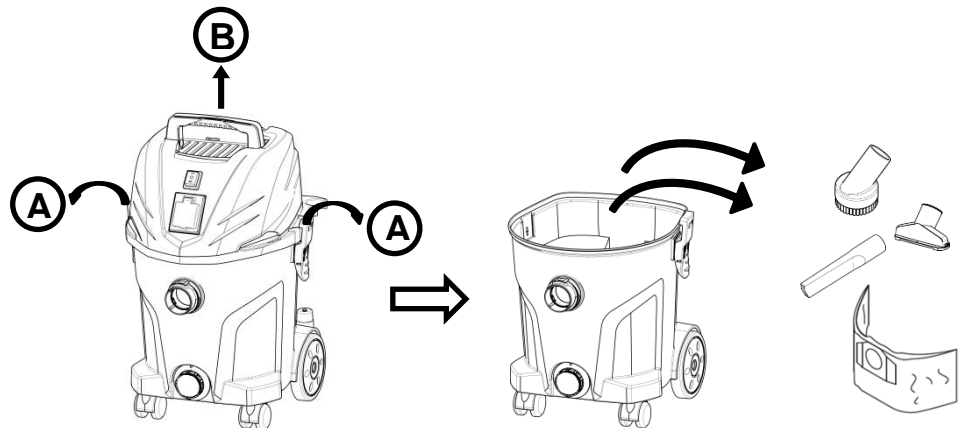


FIG. 3

Se kapitel 6 för information om var tillbehören sitter på apparaten.

4. DAMMSUGARENS ANVÄNDNING

Läs noga igenom kapitlet 1 – VIKTIGA SÄKERHETSFÖRESKRIFTER i denna bruksanvisning innan du installerar och använder denna dammsugare.

4.1 MONTERING AV DAMMSUGARPÅSE

Om du behöver dammsuga damm (torrläge) kan du montera en dammsugarpåse (valfritt) för att samla upp och kasta dammet.

Avlägsna motorhuvudet för att sätta in dammsugarpåsen (se även figur 3). Sätt in dammsugarpåsen såsom visas i figur 4. Sätt tillbaka huvudet och lås fast det med spärrhakarna.

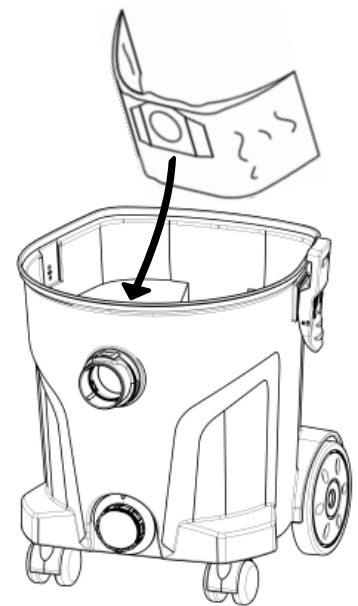


FIG. 4

4.2 TORR- ELLER VÅTSUGNING

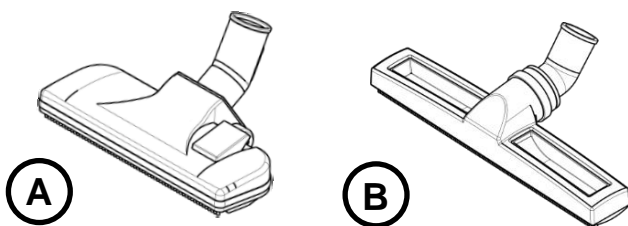


FIG. 5

Använd torrmunstycket dry (A) för att samla upp damm och smuts.

Använd våtmunstycket wet (B) för att suga upp vätskor.

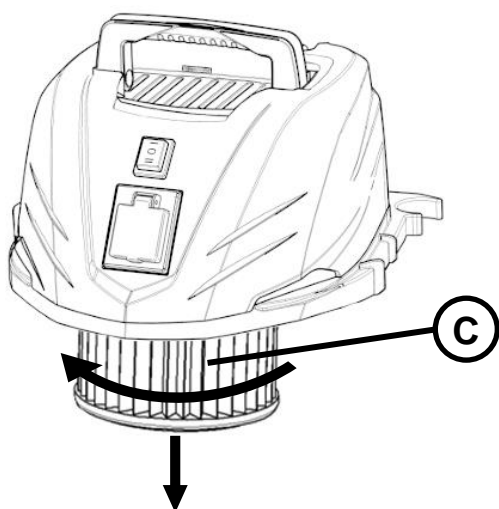


FIG. 6

När du suger vätskor är det nödvändigt att ta bort filtret: Avlägsna motorhuvudet (se även figur 3), vrid filtret tills det lossnar, plocka av det från sitt säte och sätt tillbaka huvudet.

4.3 UPPSUGNING - SÄTT IN OCH DRA UT RÖRET

Sätt in röret (A) i sugmunstycket (B) för att suga. Tryck på knappen (C) för att frigöra röret och dra samtidigt i röret.

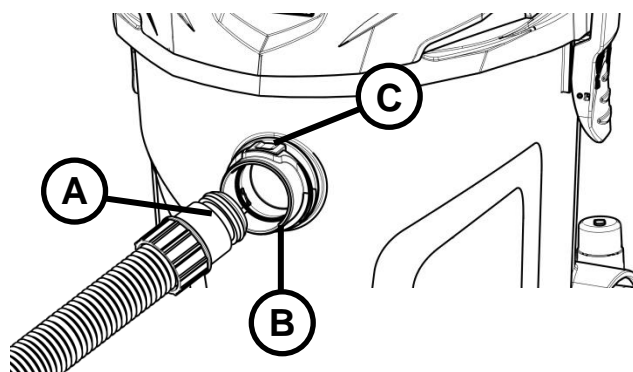


FIG. 7

4.4 BLÅSFUKTION - SÄTT IN OCH DRA UT RÖRET

Apparaten kan även användas med blåsfunktion. Ibland är det lättare att först samla ihop skräpet med hjälp av blåsfunktionen och därefter suga upp det. Sätt in röret i blåsuttaget för att använda dammsugaren med blåsfunktionen (A).

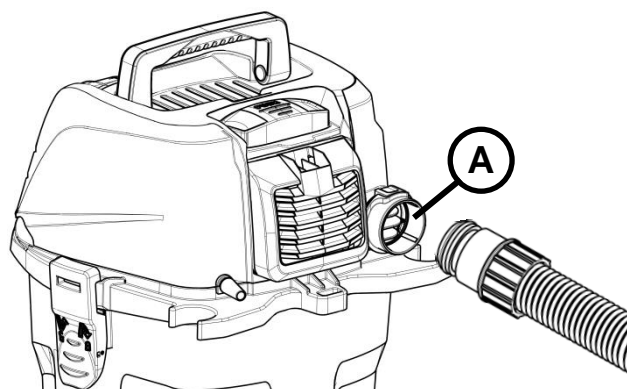


FIG. 8

4.5 PÅSLAGNING

Dammsugaren kan slås av och på med on/off-knappen (A).

Se nästa kapitel för extrauttagets användning (B).

Dammsugaren kan utrustas med en indikator (C) som anger när trycket minskar. Denna situation uppstår när filtret är igensatt och måste rengöras (se kapitel 5), eller när dammsugarpåsen är full och måste bytas ut.

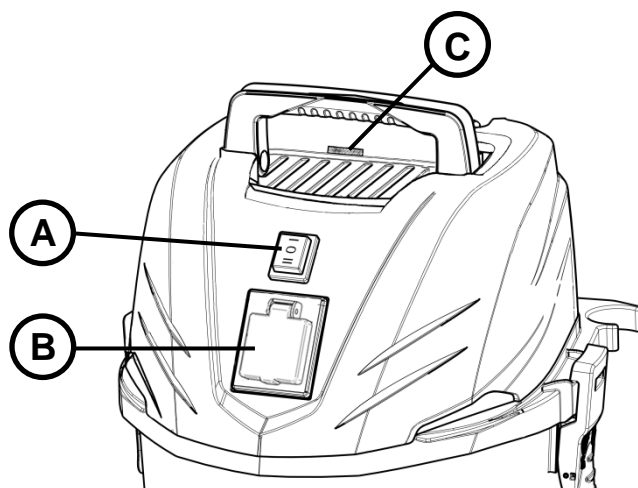


FIG. 9

4.6 APPARAT MED EXTRAUTTAG OCH AUTOMATISK START/STOPP-FUNKTION.

Dammsugaren kan vara utrustad med ett extrauttag till vilket det är möjligt att ansluta ett elektriskt redskap. Anslut redskapet till uttaget (A), avlägsna handröret och anslut den konformade adaptern (B) till redskapet (C). Sätt apparaten i AUTO-läge med omkopplaren (D). I det här fallet slås apparaten på när redskapet slås på och stängs av med en liten fördröjning när tillbehöret stängs av (så att röret kan tömmas).

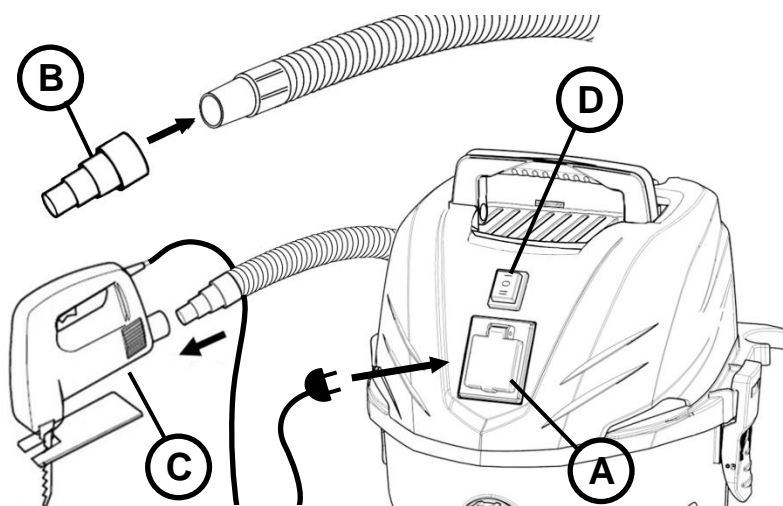


FIG. 10



! OBS! Använd inte dammsugaren om filtren och nivåmätaren inte sitter på plats, eftersom de förhindrar att vätska sipprar in genom huvudet och skadar motorn.




! WARNING - Lyft inte dammsugaren om trumman är fylld med vätskor eller skräp för att minska risken för skador eller fall. Töm trumman på innehåll så att dammsugaren blir tillräckligt lätt för att sedan kunna lyfta den på ett säkert sätt.

OBS! OM DAMMSUGAREN VÄLTER AV MISSTAG KAN DEN FÖRLORA EN DEL AV DESS SUGKRAFT. OM DAMMSUGAREN VÄLTER SKA DEN FÖRST LYFTAS UPP TILL VERTIKALT LÄNGE OCH DÄREFTER STÄNGAS AV GENOM ATT TRYCKA PÅ AVSLAGNINGSKNAPPEN. DETTA MEDFÖR ATT NIVÅMÄTAREN GÅR TILLBAKA TILL DESS NORMALLÄGE OCH DET ÄR MÖJLIGT ATT ÅTERUPPTA ARBETET.



! WARNING - Läs säkerhetsanvisningarna och instruktionerna för den typ av material som inte kan sugas upp med denna produkt.

 **! FARA - Denna apparat innehåller delar som omkopplare och motorer som kan producera ljusbågar eller gnistor. Dammsug inte heta, brandfarliga eller brännbara material.**

Använd inte nära explosiva vätskor eller ångor, eftersom elektriska apparater kan generera ljusbågar eller gnistor som kan orsaka bränder eller explosioner. Använd inte på bensinstationer eller på platser där bensin lagras.



NOTE!

Denna dammsugare är utrustad med ett överhettningsskydd som skyddar motorn mot höga temperaturer. Detta skydd kan utlösas vid intensiv användning. Om motorn stannar under användning, ska du trycka på ON/OFF-knappen och låta den vara avstängd i 5 minuter så att motorn svalnar. Därefter är det möjligt att stå på apparaten och återuppta arbetet.



! VARNING - Om apparaten är utrustad med ett extra uttag, säkerställ att det elektriska redskapet inte överstiger den effekt som anges på uttaget.

4.7 TÖM TRUMMAN PÅ VÄTSKA

Skruva av locket (A) och plocka av det helt för att tömma trumman på vätska.

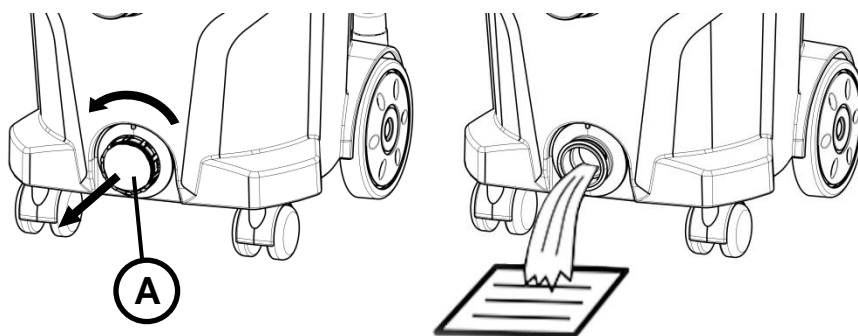


FIG. 11

4.8 TÖM TRUMMAN PÅ DAMM OCH SKRÄP

Avlägsna huvudet (se kapitel 3.1) för att tömma trumman på damm och skräp, Om en dammsugarpåse monterats ska denna avlägsnas och ersättas.

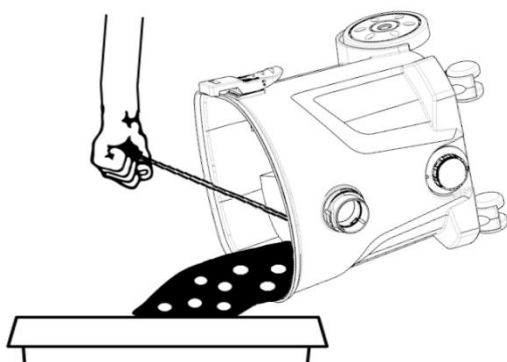


FIG. 12

5. FILTERRENGÖRING

När du dammsuger upp fint damm tenderar filtret att täppas till och sugkraften minskar. Då är det nödvändigt att rengöra filtret.

5.1 MANUELL FILTERRENGÖRING

Filtret kan rengöras manuellt enligt följande: Vrid filtret **(A)** tills det lossnar, plocka av det från huvudet och rengör det med kallt vatten **(B)**. Låt filtret torka helt **(C)**. Återmontera filtret.

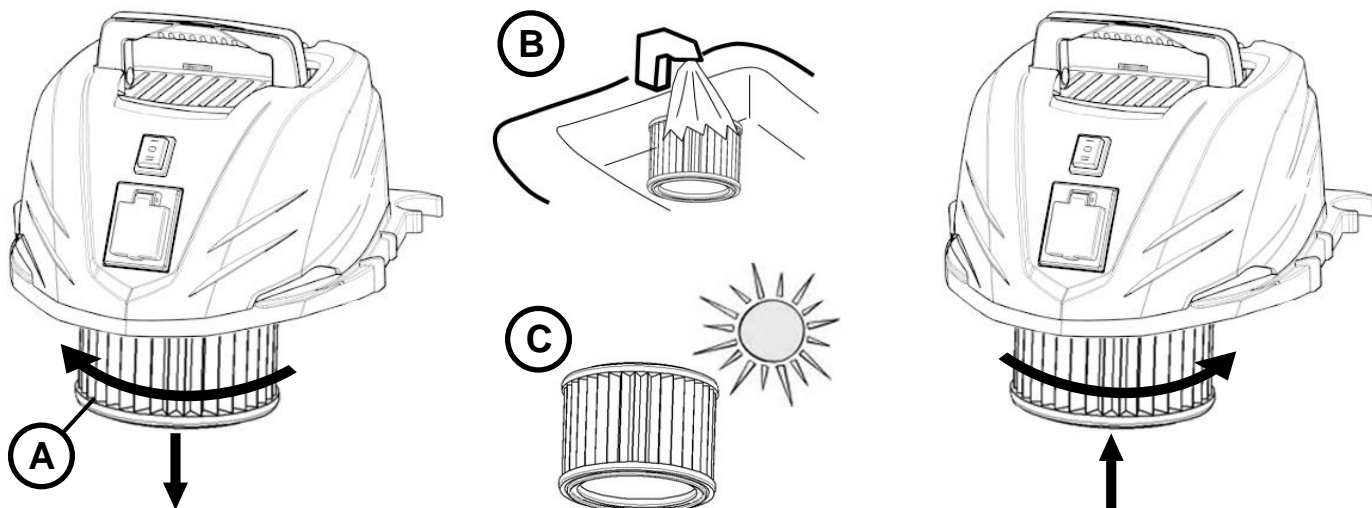


FIG. 13

5.2 HALVAUTOMATISK FILTERRENGÖRING

Maskinen är utrustad med ett halvautomatiskt filterrengöringssystem.

Stäng munstycket genom att stänga öppningen på handröret eller röret **(A)** genom att placera en hand på munstyckets ände eller genom att sätta in handröret i sätet **(B)**.

Vänta i 2-3 sekunder tills ett maximalt sug uppnås. Tryck snabbt in filterrengöringsknappen **(C)** 5 gånger efter varandra. Detta förfarande rengör filtret och återställer dess ursprungsprestanda.

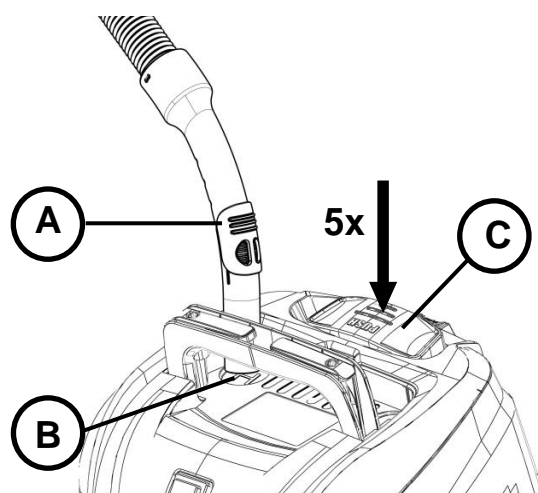


FIG. 14

6. LAGRING

Förvara dammsugaren inomhus, vid temperaturer över 0°C i en torr miljö.

Rengör filtret med det halvautomatiska systemet innan du ställer tillbaka dammsugaren (se avsnitt 5.2).
Rulla nätsladden runt handtaget. Rör och övriga tillbehör kan förvaras i tillbehörshållarna på dammsugarens baksida.

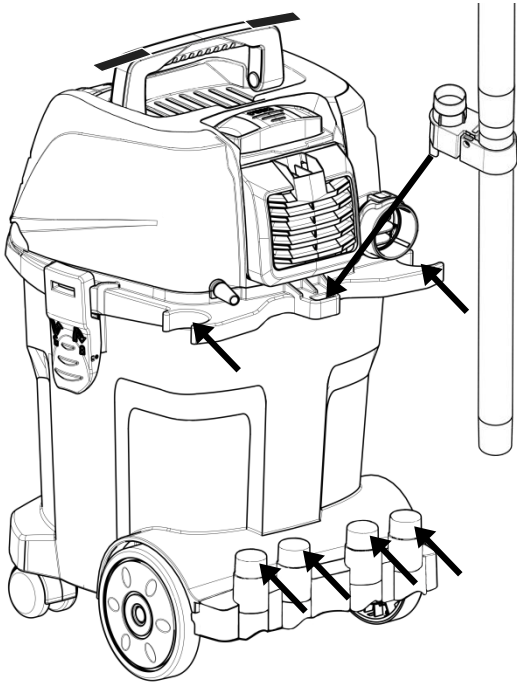


FIG. 15



VARNING! Dra ut nätsladden ur eluttaget när dammsugaren inte används.

7. PROBLEMLÖSNING

Reparationer och underhåll av komponenter såsom nätsladd eller motor får enbart utföras av auktoriserade servicecenter.

Dammsugaren startar inte	<ul style="list-style-type: none">• Kontrollera att stickkontakten är korrekt insatt i nätuttaget och att det finns spänning.• En säkring kan ha gått. Kontrollera säkringslådan.• Nätuttaget och nätsladden kan vara skadade. Ring kundtjänst för information om närmaste auktoriserade servicecenter.
Motorn fungerar inte i automatiskt läge	<ul style="list-style-type: none">• Det elektriska redskapet kan vara defekt eller felaktigt anslutet. Kontrollera att redskapet fungerar och att stickkontakten är korrekt insatt.• Redskapets märkeffekt är för låg. Den lägsta märkeffekten för elektrisk utrustning är 50 Watt.
Motorn stoppar	<ul style="list-style-type: none">• Dammsugaren är utrustad med ett överhettningsskydd som stänger av motorn om för höga temperaturer uppnås. Om detta händer, ska du stänga av strömbrytaren och vänta i 10 minuter för att låta motorn svalna. Slå på apparaten igen och återuppta arbetet.
Reducerad sugkapacitet	<ul style="list-style-type: none">• Trumman kan vara full. Gå vidare med att tömma trumman (se kapitel 4.7 och 4.8)• Handröret, röret och tillbehören kan blockeras. Gå vidare med rengöring.• Ovan nämnda element kan vara skadade. Gå vidare med ersättning.• Filtret kan vara igensatt. Rengör filtret för hand eller via ett rengöringssystem (se kapitel 5 - i förekommande fall)• Kontrollera filtret integritet och byt ut det vid behov. Kontrollera att filtret är korrekt monterat.• Anslutningarna mellan rör och maskin och mellan rör och tillbehör har lossnat och måste dra åt.
Statisk elektricitet	<ul style="list-style-type: none">• Fukta luften om miljön är för torr.• Även om den relativa luftfuktigheten är låg kommer detta inte på något sätt att påverka apparaten.

8. EG-FÖRSÄKRAN OM ÖVERENSSTÄMMELSE
2006/42/CE - 2014/30/UE - 2011/65/CE

VI:

IP Cleaning S.r.l.
Viale Treviso, 63
30026 Summaga - Portogruaro (VE) – Italy

intygar under vårt ansvar att produkterna

<p>KLEEN 1/20 TC W&D P KP 1/20 CLEAN TC</p> <p>220-240 V / 50-60 Hz 1400 W nom / 1600 W max</p>	<p>KLEEN 1/30 TC W&D S KS 1/30 CLEAN TC</p> <p>220-240 V / 50-60 Hz 1400 W nom / 1600 W max</p>
---	---

till vilka denna försäkran om överensstämmelse hänvisar, överensstämmer med följande standarder:

- IEC 60335 -1:2010+A1:2013
- IEC 60335 - 2 - 69:2016
- EN 62233: 2008
- EN 55014 - 1:2006+A1:2009+A2:2011
- EN 55014 - 2:1997+A1:2001+A2:2008
- EN 61000 - 3 - 2: 2014
- EN 61000 - 3 - 3: 2013

enligt vad som anges i Direktiven: 2006/42/EG (Maskindirektivet)
2014/30/EU (Direktivet om elektromagnetisk kompatibilitet EMC) 2011/65/EG (Direktivet RoHS II)

Person som har behörighet att sammanställa den tekniska filen



IP Cleaning S.r.l.
Viale Treviso, 63
30026 Summaga - Portogruaro (VE) – Italy

Juridisk representant
dott. Pietro Annibaldi Corsano



01/06/2021

9. PRODUKTSPECIFIKATIONER

Modell	KLEEN 1/20 TC W&D P KP 1/20 CLEAN TC	KLEEN 1/30 TC W&D S KS 1/30 CLEAN TC
Spänning	220-240V	220-240V
Frekvens	50Hz/60Hz	50Hz/60Hz
Märkeffekt	1400 W	1400 W
Effekt extrauttag	1800 W	1800 W
Maximal effekt	3200 W	3200 W
Skyddsklass	I	I
Skyddstyp	IPX4	IPX4
Trumvolym	20L	30L
Vibrationer	$a_h < 2.5 \text{ m/s}^2$	$a_h < 2.5 \text{ m/s}^2$
Ljudtrycksnivå på en meters avstånd, SS-EN 60704 1		
Ljudtrycksnivå		
		

CE



INSTRUKCJA OBSŁUGI

(Tłumaczenie instrukcji oryginalnych)



KLEEN 1/20 TC W&D P

KLEEN 1/30 TC W&D S

KP 1/20 CLEAN TC

KS 1/30 CLEAN TC



IPC

DROGI KLIENCIE

Gratulujemy zakupu nowego odkurzacza do czyszczenia na sucho i mokro.



Przed użyciem urządzenia po raz pierwszy upewnij się, że przeczytałeś z uwagą niniejszy dokument i trzymaj go w zasięgu ręki.

PRZEZNACZENIE

Odkurzacze ten został zaprojektowany, opracowany i rygorystycznie przetestowany pod kątem wydajnej i bezpiecznej pracy pod warunkiem, że używa się go we właściwy sposób oraz zgodnie z wytycznymi zawartymi w niniejszej instrukcji. Odkurzacze przeznaczony jest do użytku komercyjnego (w hotelach, szkołach, szpitalach, fabrykach, biurach oraz wypożyczalniach sprzętu) lub domowego. Osoba korzystająca z urządzenia może uniknąć obrażeń spowodowanych niewłaściwym użytkowaniem.



UWAGA: PRZECZYTAĆ I STOSOWAĆ SIĘ DO WSZYSTKICH INSTRUKCJI BEZPIECZEŃSTWA

Niniejsza maszyna jest przeznaczona do zbierania suchych niepalnych pyłów oraz cieczy. Każde inne użycie jest uważane za niewłaściwe. Producent nie ponosi odpowiedzialności za jakiegokolwiek szkody wynikające z niewłaściwego użytkowania urządzenia. Ryzyko związane z takim użytkowaniem wynika wyłącznie z winy użytkownika. Właściwe użytkowanie obejmuje również właściwe działanie, konserwację oraz naprawy wskazane przez dostawcę.



!UWAGA: PRZED UŻYCIEM ODKURZACZA PRZECZYTAĆ INSTRUKCJE BEZPIECZEŃSTWA. ZACHOWAĆ DO UŻYCIA W PRZYSZŁOŚCI.

! UWAGA: Nigdy nie używać urządzenia w obecności łatwopalnych materiałów lub oparów ze względu na to, że urządzenia elektryczne wytwarzają iskry, które mogą powodować pożary lub wybuchy. NIGDY NIE POZOSTAWIAĆ BEZ NADZORU PRACUJĄCEGO URZĄDZENIA!!



! UWAGA: Zawsze używać środków ochrony oczu, aby nie dopuścić do powstania poważnych obrażeń w wyniku odbijania się odpadów.

1. WAŻNE INSTRUKCJE BEZPIECZEŃSTWA

1.1 INSTRUKCJE OBSŁUGI:

Urządzenie może być:

- używane wyłącznie przez osoby przeszkolone w zakresie jego prawidłowego użytkowania i specjalnie wyznaczone do jego obsługi,
- uruchamiane tylko, jeżeli znajduje się pod nadzorem.
- Urządzenie nie jest przeznaczone do użytku przez osoby (w tym dzieci) o ograniczonych zdolnościach fizycznych, sensorycznych lub umysłowych, lub bez doświadczenia i wiedzy.
- Należy pilnować dzieci, aby nie bawiły się urządzeniem.
- Zawsze stosować procedury bezpieczeństwa.
- Nigdy nie używać odkurzacza bez filtra.
- Wyłączyć urządzenie i wyjąć wtyczkę z gniazdka w następujących sytuacjach:
 - przed czyszczeniem i konserwacją,
 - przed wymianą części,

- po zakończeniu prac,
- w przypadku wytworzenia piany lub wycieku płynu.

Oprócz instrukcji obsługi i obowiązujących przepisów bezpieczeństwa i higieny pracy, obowiązujących w kraju użytkowania, należy przestrzegać uznanych zasad bezpieczeństwa i właściwego użytkowania.

1.2 AVVERTENZE IMPORTANTI:

- Aby zmniejszyć ryzyko pożaru, porażenia prądem lub obrażeń ciała, przed użyciem należy przeczytać i przestrzegać wszystkich instrukcji bezpieczeństwa i znaków bezpieczeństwa. Odkurzacz ten został zaprojektowany w sposób zapewniający bezpieczeństwo podczas prawidłowego użytkowania, zgodnie z zaleceniami niniejszej instrukcji. W przypadku wystąpienia jakichkolwiek uszkodzeń części elektrycznych lub mechanicznych, urządzenie i/lub części zamienne muszą być naprawione przed użyciem urządzenia przez wykwalifikowaną pomoc techniczną lub przez producenta, aby uniknąć dalszych uszkodzeń urządzenia lub obrażeń fizycznych użytkownika.
- Nie pozostawiać urządzenia bez nadzoru, jeżeli wtyczka jest podłączona do gniazdka. Wyjąć wtyczkę z gniazdka, jeżeli nie używa się urządzenia oraz przed przystąpieniem do jego konserwacji.
- Nie używać, jeżeli kabel lub gniazdko są uszkodzone. Wyjmując wtyczkę z gniazdka należy trzymać wtyczkę, nigdy nie ciągnąć za kabel. Nie dotykać, nie podłączać do gniazdka, nie czyścić urządzenia mokrymi rękoma. Przed odłączeniem od zasilania wyłączyć wszystkie wyłączniki.
- Nie ciągnąć lub nie przenosić urządzenia ciągnąc za przewód, nie używać przewodu zamiast uchwytu lub ciągnąć za przewód w pobliżu ostrych krawędzi czy narożników. Nie zgniatać przewodu. Trzymać przewód z dala od rozgrzanych powierzchni.
- Trzymać ręce, włosy, odzież i wszystkie części ciała z dala od otworów i części w ruchu.
- Nie zakrywać żadnymi przedmiotami wlotu ssącego ani innych otworów. Nie używać, jeżeli otwory są zablokowane. Otwory muszą być wolne od kurzu, kłaczek, włosów i innych zanieczyszczeń, które mogłyby utrudniać przepływ powietrza.
- UWAGA: Urządzenie nie nadaje się do zbierania niebezpiecznych pyłów.
- Nie zbierać cieczy palnych lub łatwopalnych, np. benzyny, ani stosować w miejscach, w których mogą one występować.
- Nie zasysać żarzących się lub palących się cząstek takich jak papierosy, zapałki lub gorący popiół.
- Zachować szczególną ostrożność podczas korzystania z odkurzacza na schodach.
- Nie używać bez zamontowanych filtrów.
- Jeżeli odkurzacz nie działa prawidłowo, uległ upadkowi lub uszkodzeniu, został pozostawiony na zewnątrz lub wpadł do wody, należy przesłać go do punktu serwisowego.
- Jeżeli z urządzenia wydostaje się płyn lub piana, należy je natychmiast wyłączyć.
- Odkurzacza nie należy używać zamiast pompy do płynów. Należy używać go do zasysania powietrza zmieszanego z wodą.
- Podłączyć odkurzacz do odpowiedniej uziemionej sieci zasilania. Gniazdko sieciowe oraz przedłużacz muszą być odpowiednio uziemione.
- Upewnić się, że miejsce pracy posiada odpowiednią wentylację.
- Nie używać urządzenia zamiast schodków lub stopni. Może ulec wywróceniu i uszkodzeniu.
- Nigdy nie zasysać następujących materiałów: gazów palnych lub wybuchowych, cząsteczek pyłów lub cieczy reaktywnych, cząsteczek metali reaktywnych (takich jak aluminium, magnez, cynk) z dodatkiem wysoko kwasowych lub zasadowych detergentów, silnych nierozcieńczonych kwasów, substancji zasadowych lub rozpuszczalników organicznych takich jak paliwa, rozcieńczalniki, aceton, oleje opałowe lub podobne produkty.
- Zagrożenie pożarem. Nie zbierać żarzących się lub płonących przedmiotów.
- Nie zbierać cieczy palnych lub paliw, takich jak benzyna lub cząstek pyłów reaktywnych; nie odkurzać w miejscach, w których mogą one występować.
- Nie używać odkurzacza do rozpylania cieczy takich, jak np. farby olejne, emalie, domowe środki czyszczące itp.

- Nie próbować zbierać gorącego ani ciepłego popiołu. Maksymalna temperatura zbieranego popiołu musi wynosić 102°F/40°C.
- Nie zbierać materiałów toksycznych, rakotwórczych lub palnych, takich jak azbest, arsen, bar, beryl, ołów, pestycydy lub inne substancje, które mogą zagrażać zdrowiu.
- Aby uniknąć zjawiska samozapłonu, po każdym użyciu opróżnić odkurzacz.
- INFORMACJA: Jeżeli otoczenie jest zbyt suche, mogą wystąpić wyładowania elektrostatyczne. Nie ma to wpływu na użytkowanie odkurzacza. Aby uniknąć porażeń, zwiększyć wilgotność powietrza używając nawilżacza.
- ZACHOWAĆ OSTROŻNOŚĆ i kierować się zdrowym rozsądkiem. Nie używać odkurzacza będąc pod wpływem środków odurzających, alkoholu, leków oraz w przypadku zmęczenia lub rozkojarzenia.
- Nie zostawiać przewodu zasilającego rozwiniętego na podłodze po zakończeniu pracy. Może być przyczyną potknięć.
- Jeżeli przewód zasilający jest uszkodzony, musi być wymieniony przez producenta lub specjalistyczny punkt serwisowy w taki sposób, aby uniknąć zagrożeń.
- Nie wolno używać odkurzacza jako zabawki. Zachować szczególną ostrożność podczas użytkowania przez dzieci lub w ich pobliżu.
- Materiały opakowaniowe należy przechowywać z dala od dzieci. Ryzyko uduszenia.
- Chronić urządzenie przed deszczem. Przechowywać w pomieszczeniach.
- UWAGA: Urządzenia nie należy używać na zewnątrz.
- Nigdy nie używać odkurzacza w deszczu.
- Używać masek ochronnych podczas opróżniania odkurzacza z wszelkiego rodzaju drobnego pyłu.
- Przed przyłączeniem węża lub innych akcesoriów odłączyć zasilanie.
- Nie pozostawiać bez nadzoru urządzenia podłączonego do sieci. Wyjąć wtyczkę z gniazdka w przypadku nieużytkowania i przed przystąpieniem do konserwacji.
- Podłączać wyłącznie do gniazdek wyposażonych w uziemienie. Sprawdzić instrukcje dotyczące uziemiania.
- UWAGA: operatorzy powinni być odpowiednio poinstruowani w zakresie użytkowania tego urządzenia.
- UWAGA: Regularnie czyścić urządzenie ograniczające poziom wody i kontrolować jego stan.
- Czujnik poziomu (pływak) ma za zadanie zatrzymanie ssania, gdy trzon jest wypełniony cieczą lub w przypadku wywrócenia się urządzenia; dbać o regularne czyszczenie, sprawdzając jednocześnie, że nie ma uszkodzeń i w razie potrzeby wymienić

1.3 DOTYCZY WYŁĄCZNIE WIELKIEJ BRYTANII:

Prosimy o zapoznanie się z następującymi istotnymi instrukcjami.

Niniejsze instrukcje zostały przygotowane zgodnie ze standardami wydajności i bezpieczeństwa. Użytkownik musi zostać poinstruowany przez wykwalifikowanego instruktora, zrozumieć instrukcje oraz otrzymać informacje o wszystkich odpowiednich przepisach i regulacjach prawnych obowiązujących w momencie użytkowania.

Urządzenie jest zasilane napięciem 240 V-50 Hz i wyposażone w wytłaczaną wtyczkę 13A 3-bolcową. Wtyczka wyposażona jest w odłączany bezpiecznik 13 A. Właściwy zamiennik bezpiecznika można rozpoznać dzięki kolorowemu kodowi lub oznaczeniu. Można montować jedynie bezpieczniki posiadające certyfikat ASTA zgodne z BS 1362. Nigdy nie używać wtyczki bez oprawy bezpiecznikowej. Nowe oprawy bezpiecznikowe można znaleźć w każdym sklepie z elektrycznymi częściami zamiennymi.

1.4 TESTY I ZEZWOLENIA

Testy elektryczne muszą być przeprowadzane zgodnie z normą bezpieczeństwa EN 62638. Testy te muszą być wykonywane w regularnych odstępach czasu oraz po przeprowadzeniu napraw lub modyfikacji. Odkurzacz został zatwierdzony zgodnie z normą IEC/EN 60335-2-69.

N.B.: Wszystkie ilustracje i rysunki mają charakter czysto orientacyjny.

2. OBRAZ OGÓLNY

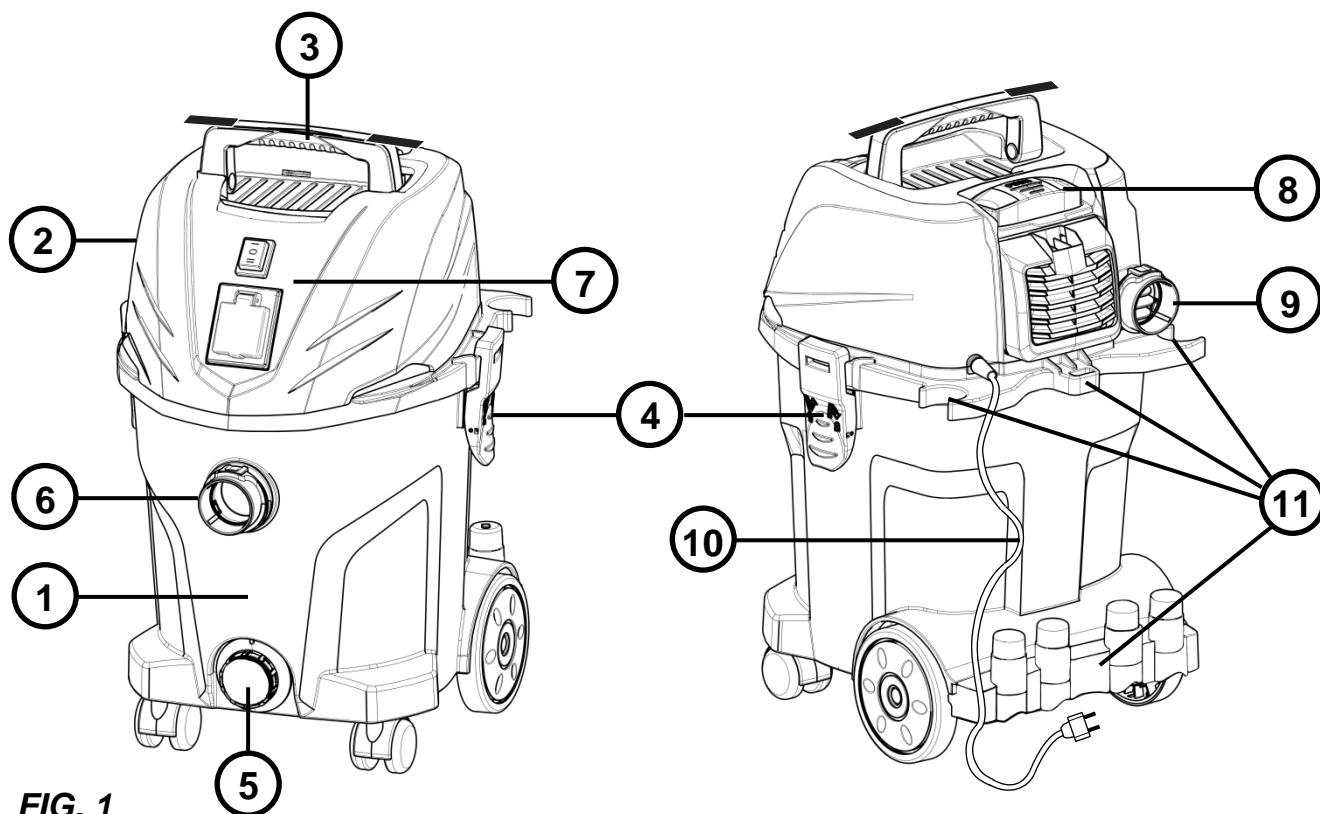


FIG. 1

- | | | |
|---------------------|--------------------------------|------------------------|
| 1. Zbiornik | 8. Przycisk czyszczenia filtra | 15. Szczotka do płynów |
| 2. Głowica | 9. Wylot powietrza dmuchawy | 16. Końcówka płaska |
| 3. Uchwyt | 10. Kabel z wtyczką | 17. Pędzel |
| 4. Klamry | 11. Uchwyty na akcesoria | 18. Adapter |
| 5. Wylot | 12. Rura z rękojeścią | 19. Worek papierowy |
| 6. Wlot ssący | 13. Rury | |
| 7. Panel sterowania | 14. Szczotka do kurzu | |

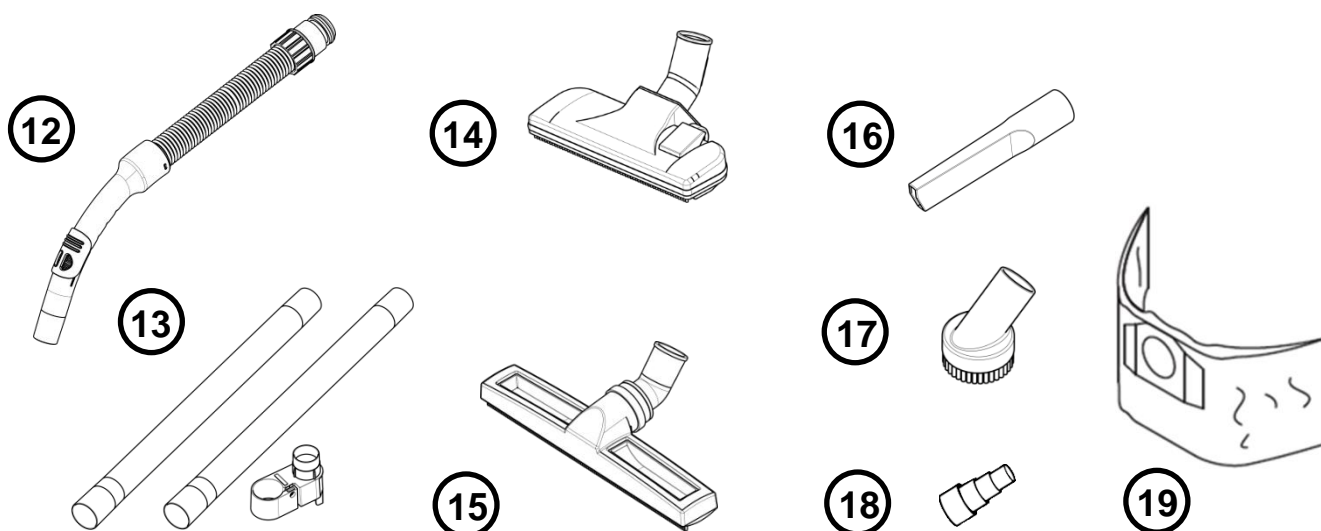


FIG. 2

Niektóre z akcesoriów zostały umieszczone w zbiorniku. W przypadku brakujących elementów prosimy o kontakt z obsługą posprzedażną.

3. INSTRUKCJE W ZAKRESIE INSTALACJI

Przed przystąpieniem do montażu i użytkowania odkurzacza uważnie przeczytać rozdział 1 – WAŻNE INSTRUKCJE BEZPIECZEŃSTWA niniejszej instrukcji.

3.1 AKCESORIA

Ssawki i akcesoria urządzenia umieszczone są we wnętrzu zbiornika. W celu otwarcia zbiornika, odpiąć klamry i zdjąć głowicę. Wyjąć akcesoria i założyć głowicę. Ponownie zamocować głowicę za pomocą klamer.

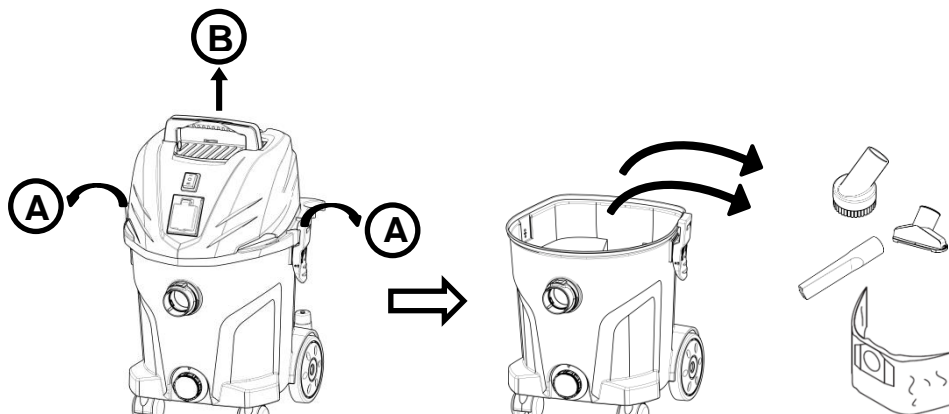


FIG. 3

Zapoznać się z rozdziałem 6, w którym opisano gdzie zamocować akcesoria na urządzeniu.

4. UŻYTKOWANIE ODKURZACZA

Przed przystąpieniem do montażu i użytkowania odkurzacza uważnie przeczytać rozdział 1 – WAŻNE INSTRUKCJE BEZPIECZEŃSTWA niniejszej instrukcji.

4.1 MONTAŻ WORKA PAPIEROWEGO

W przypadku zbierania kurzu (tryb dry), można zamontować worek papierowy (opcjonalny) do zbierania i usuwania kurzu.

W celu włożenia papierowego worka należy zdjąć głowicę z napędem (patrz również rysunek 3). Umieścić papierowy worek w sposób pokazany na rysunku 4. Założyć ponownie głowicę i zamocować klamrami.

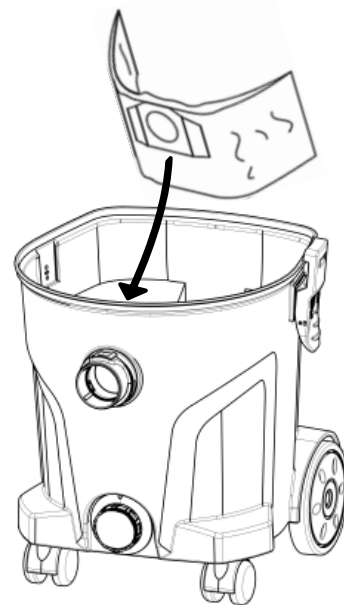
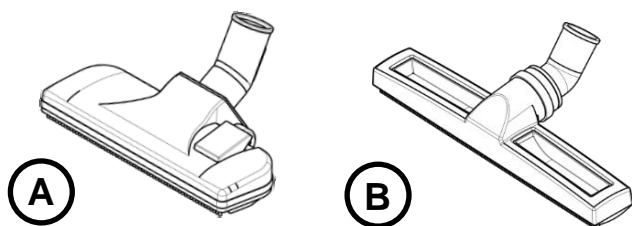


FIG. 4

4.2 ZBIERANIE MATERIAŁU SUCHEGO LUB PŁYNÓW



Do zbierania kurzu i niewielkich odpadów używać szczotki dry (A) z włosiem.

Do zbierania płynów używać szczotki wet (B).

FIG. 5

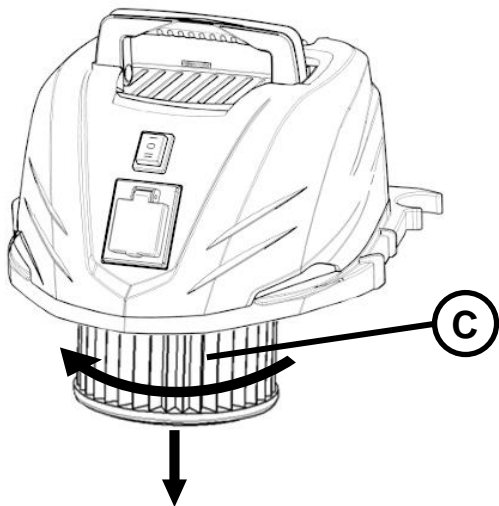


FIG. 6

W przypadku zbierania płynów należy wyjąć filtr: zdjąć głowicę z napędem (patrz również rysunek 3), przekręcić filtr aż do odblokowania i wyjąć z jego gniazda, zamontować ponownie głowicę.

4.3 FUNKCJA SSANIA - WKŁADANIE I WYJMOWANIE RURY

W celu skorzystania z funkcji ssania, włożyć rurę (A) do wlotu ssącego (B). Aby odłączyć rurę, nacisnąć przycisk (C) i odkręcić jednocześnie pociągając.

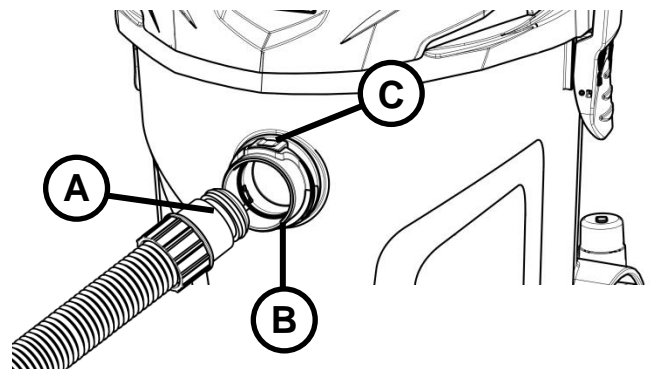


FIG. 7

4.4 FUNKCJA DMUCHAWY - WKŁADANIE I WYJMOWANIE RURY

Urządzenia można używać również w trybie dmuchawy. Czasami łatwiej jest najpierw wygarnąć odpady używając dmuchawy, a następnie zebrać je odkurzaczem. W celu użycia trybu dmuchawy odkurzacza włożyć rurę do wylotu dmuchawy (A).

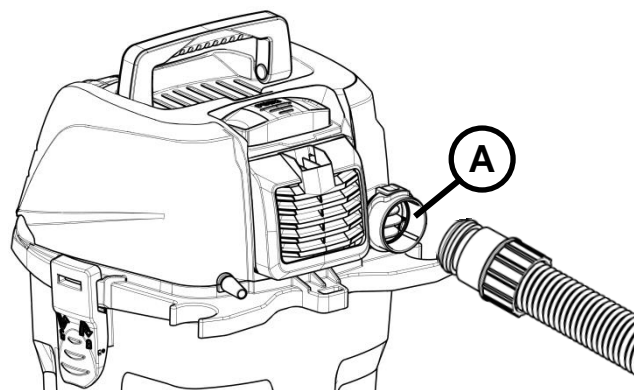


FIG. 8

4.5 WŁĄCZANIE

Odkurzacz można włączać lub wyłączać za pomocą wyłącznika on/off (A).

W celu użycia dodatkowego gniazdka (B) zapoznać się z treścią następnego rozdziału.

Odkurzacz może być wyposażony we wskaźnik (C) sygnalizujący spadek ciśnienia. Sytuacja ta ma miejsce wtedy, gdy filtr jest zapchany i wymaga oczyszczenia (patrz rozdział 5), albo worek jest pełny i należy go wymienić.

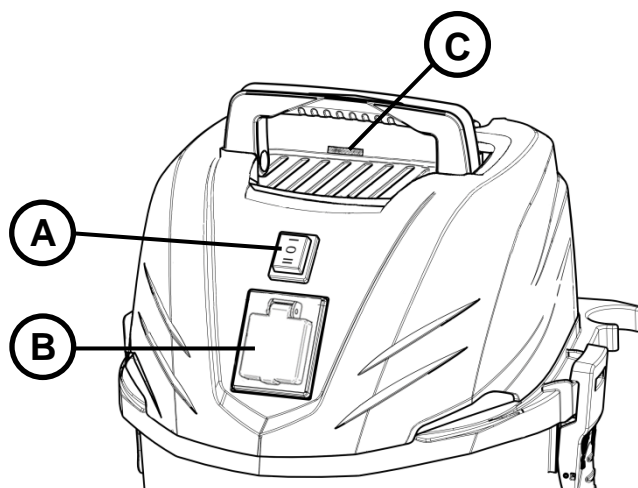


FIG. 9

4.6 URZĄDZENIE WYPOSAŻONE W DODATKOWE GNIAZDKO I FUNKCJĘ AUTOMATYCZNEGO URUCHAMIANIA/ZATRZYMYWANIA

Odkurzacz jest wyposażony w dodatkowe gniazdko, do którego można podłączyć inne narzędzie elektryczne. Podłączyć narzędzie do gniazdka (A), usunąć rękojeść i podłączyć stożkowy adapter (B) do narzędzia (C). Używając wyłącznika (D), włączyć tryb AUTO urządzenia. W takim przypadku urządzenie włączy się w momencie włączenia narzędzia i wyłączy się z niewielkim opóźnieniem po jego wyłączeniu (pozwala to na opróżnienie rury).

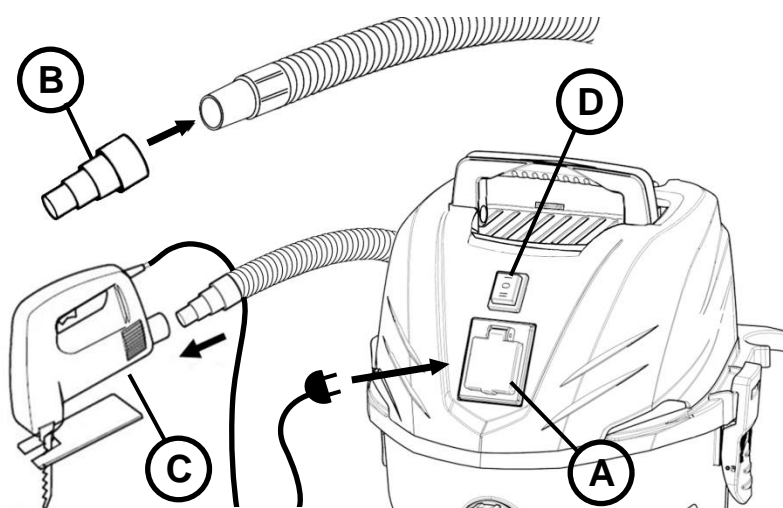


FIG. 10



! UWAGA - Nie należy uruchamiać odkurzacza jeżeli filtry i pływak nie znajdują się na swoim miejscu, ponieważ nie pozwalają one na przeniknięcie płynów do głowicy i uszkodzenie silnika.



! UWAGA - Aby zmniejszyć ryzyko zranienia lub upadku, nie należy podnosić odkurzacza, jeżeli zbiornik jest wypełniony płynami lub odpadami. Opróżnić zbiornik z zawartości w taki sposób, aby odciążyć odkurzacz i móc go następnie bezpiecznie podnieść..

INFORMACJA: W RAZIE PRZYPADKOWEGO WYWRÓCENIA, ODKURZACZ MOŻE STRACIĆ CZĘŚĆ SWOJEJ MOCY SSĄCEJ. W TAKIM PRZYPADKU NALEŻY NAJPIERW USTAWIĆ ODKURZACZ W POZYCJI PIONOWEJ, A NASTĘPNIE NACISNĄĆ PRZYCISK WYŁĄCZENIA. POZWOLI TO NA POWRÓT PŁYWAKA DO JEGO NORMALNEJ POZYCJI, A NASTĘPNIE POWRÓT DO PRACY.



! UWAGA - Przeczytać instrukcje bezpieczeństwa oraz instrukcje dotyczące typu materiałów, których nie można zbierać za pomocą omawianego produktu.

! **ZAGROŻENIE** - Urządzenie to zawiera części takie jak wyłączniki oraz silniki, które mogą wytwarzać łukowe wyładowania elektryczne lub iskry. Nie zbierać materiałów gorących, łatwopalnych lub palnych. Nie używać w pobliżu cieczy lub oparów wybuchowych ze względu na to, że urządzenia elektryczne mogą wytwarzać łukowe wyładowania elektryczne lub iskry będące przyczyną pożarów lub wybuchów - nie używać na stacjach benzynowych lub w miejscach, w których przechowywana jest benzyna.

! Odkurzacz ten jest wyposażony w zabezpieczenie termiczne chroniące silnik przed wysokimi temperaturami. Może się ono uruchomić w przypadku intensywnej eksploatacji urządzenia.
NOTE! W przypadku zgaśnięcia silnika podczas użytkowania, nacisnąć wyłącznik ON/OFF i pozostawić wyłączony przez 5 minut, tak aby pozwolić na ochłodzenie silnika. Następnie można włączyć urządzenie i powrócić do pracy.

! **UWAGA** - Upewnić się, że elektronarzędzie podłączane do dodatkowego gniazda nie przekracza mocy wskazanej na samym gniazdku.

4.7 OPRÓŻNIANIE ZBIORNIKA Z PŁYNÓW

W celu opróżnienia zbiornika z płynów, odkręcić i wyjąć korek (A).

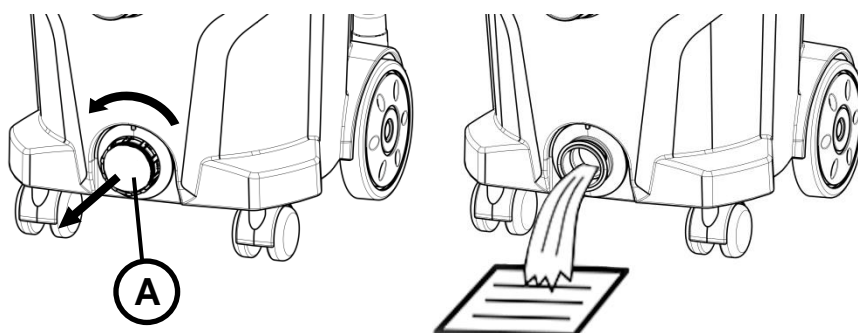


FIG. 11

4.8 OPRÓŻNIANIE ZBIORNIKA Z PYŁU I ODPADÓW

W celu opróżnienia zbiornika z pyłu i odpadów, zdjąć głowicę (patrz rozdział 3.1). Jeżeli w odkurzaczu znajduje się papierowy worek, wyjąć go i założyć nowy.

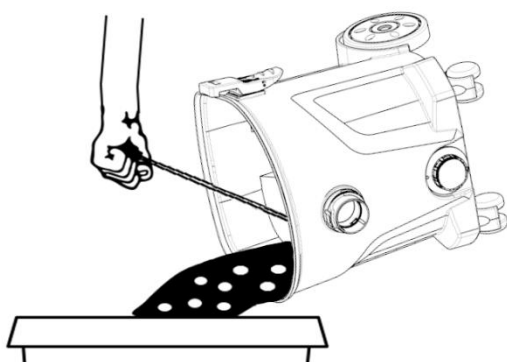


FIG. 12

5. CZYSZCZENIE FILTRÓW

W przypadku zbierania drobnego pyłu filtr ma tendencję do zapychania się i spada moc ssąca odkurzacza. Dlatego też filtr należy wyczyścić.

5.1 RĘCZNE CZYSZCZENIE FILTRÓW

Filtr można wyczyścić ręcznie w następujący sposób: przekręcać filtr (A) aż do uwolnienia i wyjąć go z głowicy, umyć zimną wodą (B). Pozostawić do całkowitego wyschnięcia (C). Zamontować ponownie filtr.

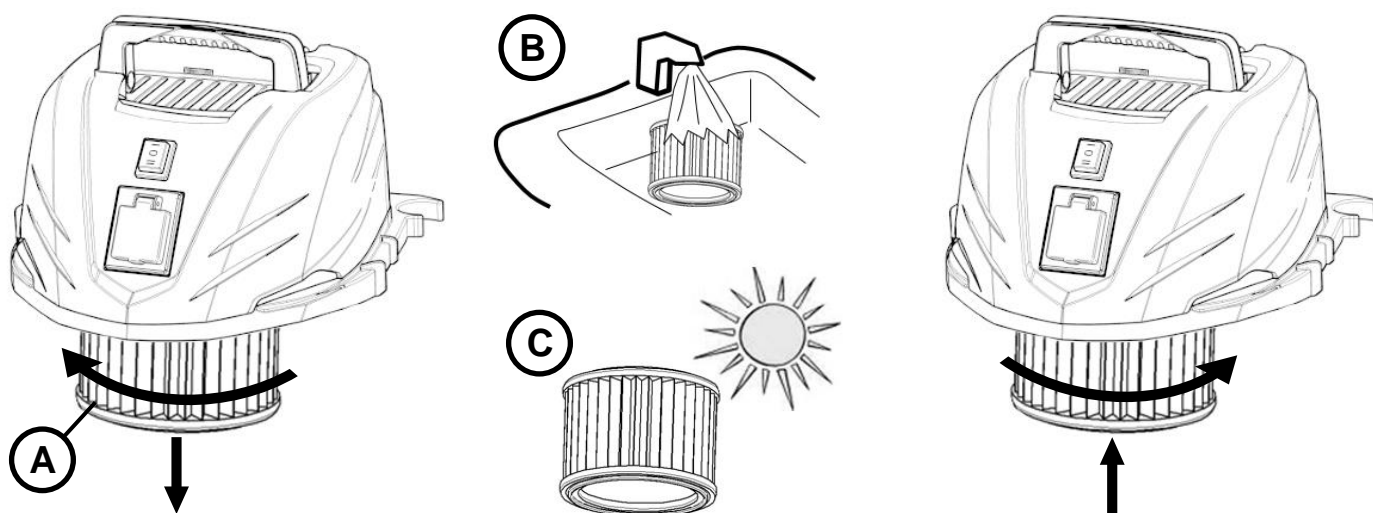


FIG. 13

5.2 PÓŁAUTOMATYCZNE CZYSZCZENIE FILTRÓW

Urządzenie jest wyposażone w półautomatyczny system czyszczenia filtra.

Zamknąć wlot ssący zamykając otwór rękojeści lub rury (A) dłonią, albo wkładając rękojeść do gniazda (B).

Odczekać 2-3 sekundy, aby osiągnąć maksymalne podciśnienie. Naciskać szybko przycisk czyszczenia (C) filtra 5 razy, jeden po drugim. Operacja ta pozwoli na oczyszczenia filtra i przywrócenie pierwotnej wydajności urządzenia.

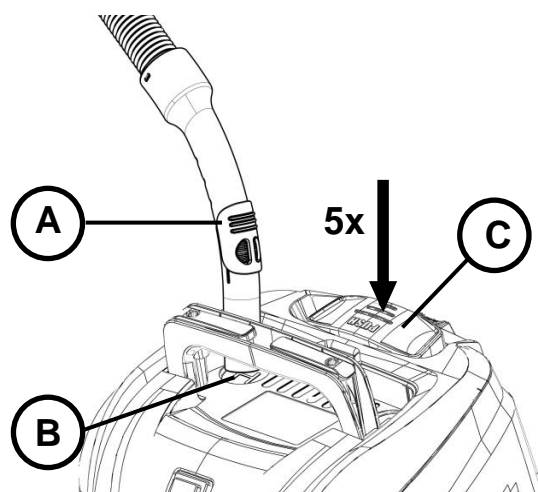


FIG. 14

6. PRZECHOWYWANIE

Przechowywać odkurzacz w pomieszczeniu, w temperaturze powyżej 0°C i suchym środowisku.

Przed odstawieniem odkurzacza do magazynu przeprowadzić czyszczenie filtra z użyciem systemu półautomatycznego (patrz akapit 5.2).

Owinąć kabel zasilania wokół uchwytu. Rury i inne akcesoria można umieścić w pojemniku na akcesoria w tylnej części urządzenia.

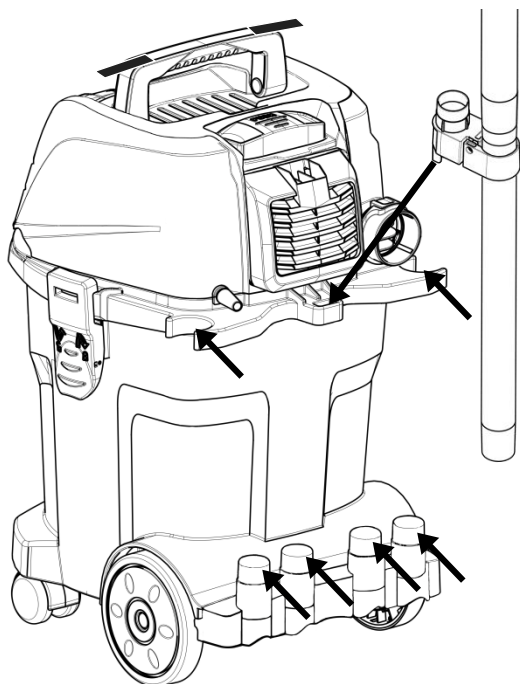


FIG. 15



UWAGA! W przypadku nieużytkowania odłączyć kabel zasilający od gniazdka.

7. ROZWIĄZYWANIE PROBLEMÓW

Naprawa i konserwacja części takich, jak przewód zasilający lub silnik, może być przeprowadzana wyłącznie przez autoryzowane stacje naprawcze.

Odkurzacz nie włącza się	<ul style="list-style-type: none">• Sprawdzić, czy wtyczka jest prawidłowo umieszczona w gniazdku i czy obecne jest napięcie.• Jeden z bezpieczników może być przerwany. Sprawdzić skrzynkę bezpieczników.• Gniazdko lub kabel zasilający mogą być uszkodzone. Skontaktować się z serwisem posprzedażnym, aby uzyskać dane najbliższej autoryzowanej stacji naprawczej.
Silnik nie działa w trybie automatycznym	<ul style="list-style-type: none">• Narzędzie elektryczne może być uszkodzone lub nieprawidłowo podłączone. Sprawdzić, czy narzędzie jest sprawne i czy wtyczka jest prawidłowo włożona.• Moc znamionowa narzędzia jest zbyt niska. Minimalna moc znamionowa oprzyrządowania elektrycznego wynosi 50 Wat.
Silnik zatrzymuje się	<ul style="list-style-type: none">• Odkurzacz jest wyposażony w zabezpieczenie termiczne, które wyłącza silnik w razie osiągnięcia zbyt wysokich temperatur. W takim przypadku należy wyłączyć wyłącznik, odczekać 10 minut, tak aby pozwolić na ochłodzenie silnika. Uruchomić ponownie urządzenie i wznowić pracę.
Obniżona moc ssąca	<ul style="list-style-type: none">• Zbiornik może być pełny. Zadbać o opróżnienie (patrz rozdział 4.7 i 4.8)• Rękojeść, rura oraz akcesoria mogą być zatkane. Zadbać o oczyszczenie.• Wyżej wymienione elementy mogą być uszkodzone. Zadbać o wymianę.• Filtr może być niedrożny. Wyczyścić filtr ręcznie lub z użyciem systemu czyszczenia (jeżeli jest obecny - patrz rozdział 5)• Sprawdzić stan filtra, w razie potrzeby wymienić. Sprawdzić, czy jest prawidłowo zamontowany.• Połączenia między rurą a urządzeniem oraz między rurą a akcesoriami uległy poluzowaniu i należy je dokręcić.
Elektryczność statyczna	<ul style="list-style-type: none">• Jeżeli powietrze jest zbyt suche, użyć nawilżacza.• Nawet jeśli wilgotność względna powietrza jest niska, nie ma to wpływu na urządzenie.

**8. DEKLARACJA ZGODNOŚCI WE 2006/42/WE - 2014/30/UE - 2011/65/WE
2006/42/CE - 2014/30/UE - 2011/65/CE**

My:

IP Cleaning S.r.l.
Viale Treviso, 63
30026 Summaga - Portogruaro (VE) – Italy

deklarujemy na własną odpowiedzialność, że produkt

<p>KLEEN 1/20 TC W&D P KP 1/20 CLEAN TC</p> <p>220-240 V / 50-60 Hz 1400 W nom / 1600 W max</p>	<p>KLEEN 1/30 TC W&D S KS 1/30 CLEAN TC</p> <p>220-240 V / 50-60 Hz 1400 W nom / 1600 W max</p>
--	--

którego dotyczy niniejsza deklaracja, jest zgodne z następującymi normami:

- IEC 60335 -1:2010+A1:2013
- IEC 60335 - 2 - 69:2016
- EN 62233: 2008
- EN 55014 - 1:2006+A1:2009+A2:2011
- EN 55014 - 2:1997+A1:2001+A2:2008
- EN 61000 - 3 - 2: 2014
- EN 61000 - 3 - 3: 2013

**zgodnie z przepisami dyrektyw: 2006/42/WE (Dyrektywa maszyn)
2014/30/UE (Kompatybilność elektromagnetyczna EMC) 2011/65/WE (Dyrektywa RoHS II)**

Osoba upoważniona do przygotowania dokumentacji technicznej
IP Cleaning S.r.l.
Viale Treviso, 63
30026 Summaga - Portogruaro (VE) – Italy

Przedstawiciel prawny
dott. Pietro Annibaldi Corsano



01/06/2021

9. SPECYFIKACJA PRODUKTU

Model	KLEEN 1/20 TC W&D P KP 1/20 CLEAN TC	KLEEN 1/30 TC W&D S KS 1/30 CLEAN TC
Napięcie	220-240V	220-240V
Częstotliwość	50Hz/60Hz	50Hz/60Hz
Moc znamionowa	1400 W	1400 W
Moc dodatkowego gniazdka	1800 W	1800 W
Moc maksymalna	3200 W	3200 W
Klasa ochrony	I	I
Typ ochrony	IPX4	IPX4
Pojemność zbiornika	20L	30L
Drgania	$a_h < 2.5 \text{ m/s}^2$	$a_h < 2.5 \text{ m/s}^2$
Poziom ciśnienia akustycznego w odległości jednego metra, EN 60704-1		
Poziom ciśnienia akustycznego		
		



**Integrated
Professional
Cleaning**

IP Cleaning S.r.l.

Registered Office/Administration

Viale Treviso, 63 - 30026 Summaga - Portogruaro (VE) ITALY

Tel. +39 0421 205511 - Fax +39 0421 204227